



MULTI-SPOT® PAR38

MULTI-LAMP RECESSED ADJUSTABLES 1 & 2 HEAD UNITS

Type: _____

Catalog No.: _____

Project: _____

Notes: _____

PRODUCT SPECIFICATIONS

Lamp One or two 150W PAR38 lamps.

Socket Medium base porcelain with nickel-plated copper screw shell.

Aiming 45° vertical aiming capability and 360° horizontal rotation

- Each lampholder is individually aimable.

Trim Finish All Black with White Flange (BL) or all White (WH).

Labels UL/C-UL listed for through-branch wiring, damp locations, and IP

- Product thermally protected against improper use of lamps or insulation • I.B.E.W. Union made • CSA certified.

Testing All reports are based on published industry procedures; field performance may differ from laboratory performance.

Warranty 5-year limited warranty. Complete warranty terms located at:

www.acuitybrands.com/CustomerResources/Terms_and_conditions.aspx.

Specifications subject to change without notice.



INSTALLATION

Mounting Bracket Mounting brackets have 2.5" vertical adjustment and accept proprietary Tru-Lock bar hangers, 1 1/2" C-channel and flat linear bars (ordered as accessories) or 1/2" EMT, 3/4" and 1 1/2" C-channel (by others) • One-piece Tru-Lock bar hangers have integral T-bar locking screws and alignment notches for locating and locking fixture in the center or 1/4 tile increments.

Housing 22 gauge die-formed galvanized steel, vented • Electrical connections can be made from below the ceiling in an internal wireway or from above the ceiling through a wireway access cover • Wireway access cover has (2) 1/2" knockouts with pry-out slot for conduit attachment • 1/2" knockouts with pry-out slots are located on each end of fixture for conduit attachment or continuous row, end-to-end fixture installation.

Trim Attaches to housing using torsion springs • Lamps are replaced without removing trim section • Black or white phenolic baffles.

Accessories Accessory louver and color filters may be installed using accessory holder (order separately) • Clip-in baffle is removed and replaced with accessory holder enabling accessory use • A maximum of one louver and filter may be used simultaneously in each lampholder using accessory holder • Use of accessories de-rates maximum wattage to 90 Watts.

ORDERING INFORMATION

Ordering Example: MS38 1H 150W 120 BL HB28

Series	Lamp Heads	Input Power	Voltage	Finish	Mounting Hardware	Options
MS38 PAR38 Multi-Spot Series	1H 1 Lamp Head	150W 150 Watts	120 120 Volt	BL Black	HB28 28" C-Channel Bar Hangers, Pair	F1 Fuse and Fuse Holder
	2H 2 Lamp Head		277 277 Volt	WH White	HB52 52" C-Channel Bar Hangers, Pair	CP Chicago Plenum
					HBTL 25" Tru-Lock Grid Ceiling Bar Hangers, Pair	
					LB27 27" Linear Bar Hangers, Pair	

Accessories: Order as separate catalog number.	
CGF 469 MPINK Med. Pink Color Filter	CGF 469 MGRN Med. Green Color Filter
CGF 469 WRED Warm Red Color Filter	DCCF 469 HAL2700 Cosmetic Peach Color Correction Filter
CGF 469 DLTBLUE Daylite Blue Color Filter	SOLITE 469 Uniformity Lens
CGF 469 MBLU Med. Blue Color Filter	UVF 469 UV Filter Lens
CGF 469 MAMB Med. Amber Color Filter	PRISM 469 Prismatic Spread Lens
	LSPREAD 469 Linear Spread Lens
	MSS570BL PAR30 Accessory Holder
	CCLBL 469 ² Louver 3 3/4" Dia. with 1/2" Sq. Cells

Notes:

1 Must specify voltage

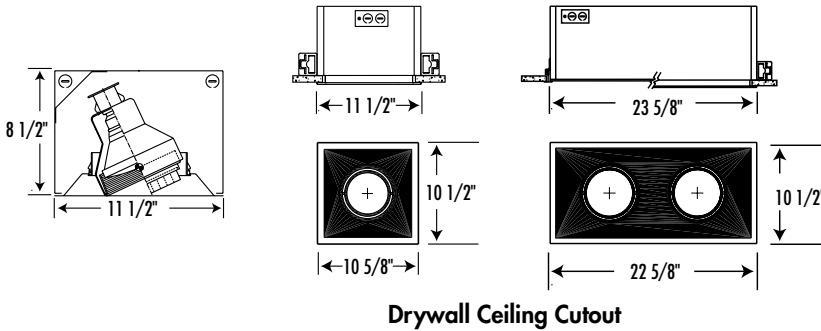
2 Louver reduces maximum tilt adjustment to 34°



MULTI-SPOT® PAR38

MULTI-LAMP RECESSED ADJUSTABLES
1 & 2 HEAD UNITS

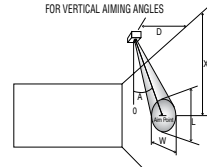
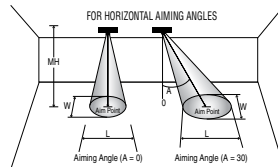
DIMENSIONS



PHOTOMETRICS

CBCP • Centerbeam candlepower
FC • Footcandles at beam center (aim point)

In vertical aiming applications, aim point (X) is determined by dividing distance from the wall (D) by the tangent of the desired aim angle (A) (0.5774 for 30°, 1.0 for 45°, 1.732 for 60°).



Fixture	Beam Type	Beam Spread	Rated Life	CBCP	0°			30°			30°			45°						
					MH	FC	L	W	FC	L	W	D	FC	X	L	W	FC	X	L	W
50W PAR30 Halogen IR	NSP	9°	3000	13000	10	290	1.7	1.7	188	2.3	2.0	6	101	10.4	4.3	2.1	285	6.0	2.1	1.5
					14	148	2.4	2.4	96	3.3	2.8	9	45	15.6	6.4	3.1	127	9.0	3.2	2.2
					18	90	3.1	3.1	58	4.2	3.6	12	25	20.8	8.6	4.2	71	12.0	4.2	3.0
					22	60	3.8	3.8	39	5.1	4.4	15	16	26.0	10.7	5.2	46	15.0	5.3	3.7
					26	43	4.5	4.5	28	6.1	5.3	18	11	31.2	12.9	6.3	32	18.0	6.3	4.5
	NFL	25°	3000	2700	6	175	2.7	2.7	114	3.6	3.1	3	88	5.2	6.2	2.7	247	3.0	2.8	1.9
					8	98	3.5	3.5	61	4.8	4.1	4	49	6.9	8.3	3.5	139	4.0	3.7	2.5
					10	63	4.4	4.4	41	6.0	5.1	5	32	8.7	10.4	4.4	89	5.0	4.7	3.1
					12	44	5.3	5.3	28	7.2	6.1	6	22	10.4	12.5	5.3	61	6.0	5.6	3.8
					14	32	6.2	6.2	21	8.4	7.2	7	19	12.1	16.2	6.7	54	7.0	7.1	4.8
	FL	35°	3000	1500	4	213	2.9	2.9	138	4.1	3.4	2	106	3.5	9.7	2.9	301	2.0	3.4	2.1
					6	94	4.4	4.4	61	6.1	5.0	3	47	5.2	14.5	4.4	134	3.0	5.0	3.1
8					53	5.8	5.8	35	8.1	6.7	4	27	6.9	19.3	5.8	75	4.0	6.7	4.1	
10					34	7.3	7.3	22	10.2	8.4	5	17	8.7	24.2	7.3	48	5.0	8.4	5.1	
12					24	8.7	8.7	15	12.2	10.1	6	12	10.4	**	8.7	33	6.0	10.1	6.2	
75W PAR30 Halogen	NSP	9°	3000	13000	8	313	1.4	1.4	203	1.9	1.6	5	100	8.7	3.6	1.7	283	5.0	1.8	1.2
					12	139	2.1	2.1	90	2.8	2.4	7	51	12.1	5.0	2.4	144	7.0	2.5	1.7
					16	78	2.8	2.8	51	3.7	3.2	9	31	15.6	6.4	3.1	87	9.0	3.2	2.2
					20	50	3.5	3.5	32	4.7	4.0	11	21	19.1	7.9	3.8	58	11.0	3.9	2.7
					24	35	4.2	4.2	23	5.6	4.8	13	15	22.5	9.3	4.5	42	13.0	4.6	3.2
	NFL	27°	3000	3100	6	100	3.2	3.2	65	4.4	3.7	2	113	3.5	5.5	2.1	318	2.0	2.3	1.5
					8	56	4.3	4.3	37	5.9	5.0	3	50	5.2	8.2	3.2	141	3.0	3.5	2.3
					10	36	5.4	5.4	23	7.3	6.2	4	28	6.9	10.9	4.3	80	4.0	4.6	3.0
					12	25	6.4	6.4	16	8.8	7.4	5	18	8.7	13.7	5.4	51	5.0	5.8	3.8
					14	18	7.5	7.5	12	10.2	8.7	6	13	10.4	16.4	6.4	35	6.0	6.9	4.5
	FL	37°	3000	2000	6	56	4.4	4.4	36	6.1	5.0	1	250	1.7	4.8	1.5	707	1.0	1.7	1.0
					7	41	5.1	5.1	27	7.1	5.9	2	63	3.5	9.7	2.9	177	2.0	3.4	2.1
					8	31	5.8	5.8	20	8.1	6.7	3	28	5.2	14.5	4.4	79	3.0	5.0	3.1
					9	25	6.6	6.6	16	9.1	7.6	4	16	6.9	19.3	5.8	44	4.0	6.7	4.1
					10	20	7.3	7.3	13	10.2	8.4	5	10	8.7	24.2	7.3	28	5.0	8.4	5.1

The beam spread in degrees and the beam "L" and "W" in the above tables are computed at 50% of centerbeam candlepower and represent areas of "effective illumination".
**Due to steep aiming angle, length of beam extends beyond 25'.