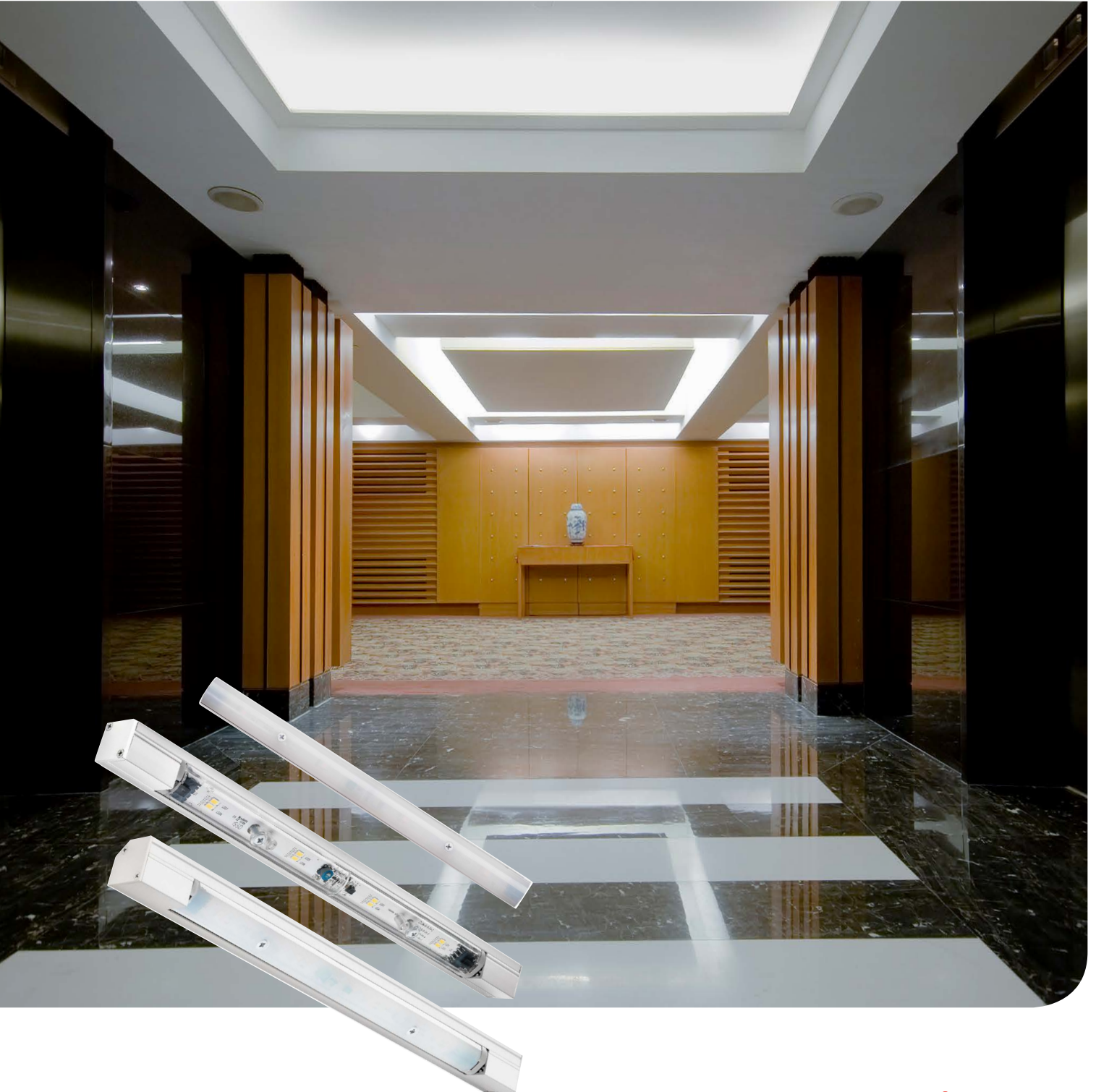


Ultra-Slim Modular LED System

Architectural-grade solution for coves, cabinetry, artwork, signage and casework



JUNO[®]





Architectural LED Linear Lighting

Juno linear fixtures provide an architectural-grade solution to some of today's most challenging applications. Coves, cabinetry, artwork, signage, display cases, and counters are just a few of the difficult lighting applications that these fixtures can handle with ease. With profiles as little as a half-inch tall by one-inch wide, the fixtures tend to "disappear", while architectural details, displays, or merchandise take center stage. Featuring a variety of profiles, custom lengths, and ultra-efficient LEDs – Juno fixtures can be individually tailored to your needs, whether they are for residential, retail, or commercial interiors.

Juno LED linear lighting leads the way in energy savings

Juno LED lighting combines state-of-the-art LED technology with low-profile fixture designs in creating the industry's most versatile, energy-efficient, linear lighting product family. They produce up to 414 lumens per foot with efficacies up to 83 lumens per watt. Each LED fixture offers a minimum service life of 50,000 hours yields exceptionally low operating costs.

Juno Custom Length LED fixtures

Provided in virtually any length from 9" to 144", in five versatile profiles and five beautiful finishes. The extruded aluminum housings feature profiles as small as 1" x 1", enabling them to fit unobtrusively in a wide variety of linear lighting applications.

Ultra-Slim LED Lighting



Clear Lens



Frosted Lens

The Juno Ultra-Slim LED modular system combines the latest in low-power, high-output LEDs in a super low-profile fixture, creating architectural-grade lighting of exceptional quality and performance. Available in either 6 or 12-inch lengths, these elegant fixtures have a beautiful anodized aluminum finish and are offered with either a clear or frosted lens. This sleek design blends effortlessly into casework, cabinetry, and architectural details.

Features

- Ultra-Slim 1/2"H x 1"W profile
- 50,000 hour service life
- Up to 414 lumens per foot
- Up to 83 lumens per watt
- Even LED spacing with no dark spots between fixtures
- Choose 4000K or 5000K with 80 CRI minimum or high 90 CRI minimum 3000K.
- Dimmable when used with dimmable driver and approved* dimmer.

* Reference specification sheets for details

Ultra-Slim 6" and 12" Fixtures

6" Length Slim LED Fixtures

Series	Lens	Color Temperature	Minimum CRI	Maximum Watts	Lumens Per Fixture
DL106	Clear	3000K	90	3	152
	Clear	4000K	80	3	187
	Clear	5000K	80	3	208
	Frosted	3000K	90	3	114
	Frosted	4000K	80	3	140
	Frosted	5000K	80	3	156

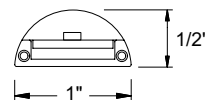
12" Length Slim LED Fixtures

Series	Lens	Color Temperature	Minimum CRI	Maximum Watts	Lumens Per Fixture
DL112	Clear	3000K	90	6	317
	Clear	4000K	80	6	367
	Clear	5000K	80	6	414
	Frosted	3000K	90	6	237
	Frosted	4000K	80	6	275
	Frosted	5000K	80	6	310

Dimensions






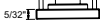
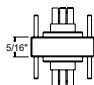
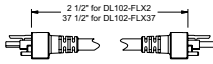
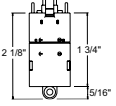
6" = 1/2" H x 1" W x 5-1/2" L

12" = 1/2" H x 1" W x 11-1/2" L



Electrical Connectors

The miniature size of the connectors make this system virtually seamless. Fixtures can be joined end-to-end with a joiner-connector or a flexible connector, providing maximum versatility. One end cap (DL101E) and either a Starter Power Cable (DL101P) or (DL101TB) terminal block connector are required for each run.

				
DL101P	DL101E	DL102E	DL102FLX	DL101TB
118" Starter Power Cable (Can be field shortened)	End Cap	End-to-End Connector	2-1/2" Flexible End-to-End Connector 37-1/2" Flexible End-to-End Connector	Terminal Black Connector
				

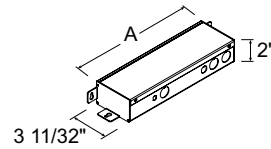


Modular Design

Remote Electronic Drivers

Drivers are not included with the fixtures and must be ordered separately. Select drivers based on 6W per foot. Class 2, 24V DC electronic drivers are mounted remotely. No minimum load requirement.

Series	Lens	Options
DLDPS	25 Watts 60 Watts 96 Watts (120V-277V input)	Dimmable Rocker Switch 5 ft. Cord & Plug



Mounting Extrusion Accessories*

	Series	Length/Description	Finish	Dimensions
	DL103MS	48" Fascia Mounting Shield 96" Fascia Mounting Shield	Satin Aluminum	
	DL103AME	48" Angled Mounting Shield 96" Angled Mounting Shield	Satin Aluminum	
	DL103MB	Adjustable Mounting Bracket Pivots 0°- 90°		

* Extrusions can be cut to length in the field. Consult factory for custom mounting and color options.

Casework & Display LED Lighting



Juno LED linear lighting fixtures can be produced in custom lengths up to 144 inches and in five versatile extrusion shapes with five beautiful finishes. They are ideal in applications calling for even light distribution, exceptional brightness control and color rendering, low operating costs, and minimal heat generation. Whether it involves color, length, mounting options, or finishes... Juno LED custom extrusions will accommodate your unique requirements.

Features

- 50,000 hour service life
- Up to 414 lumens per foot
- Up to 83 lumens per watt
- Even LED spacing with no dark spots between fixtures
- Choose 4000K or 5000K with 80 CRI minimum or high 90 CRI minimum 3000K
- Dimmable when used with dimmable driver and approved* dimmer

* Reference specification sheets for details

Fixture Extrusion Dimensions

#2 Square	#3 Five-Sided
<ul style="list-style-type: none"> • Ideal for under/over cabinets, toe-kicks, built-ins and covers where longer lengths are required. • Complete with MC1 mounting clips (not shown). Mounting clip adds 1/8" to height. • Supplied with 1/2" flex connector (adds 1/2" to length) and 110" leads. • Min length 9-3/8" 	<ul style="list-style-type: none"> • Ideal for applications that require additional mounting flexibility for showcases and built-ins. • Complete with MC2 mounting clips (not shown). Mounting clip adds 1/8" to height. • Supplied with 1/2" flex connector (adds 1/2" to length) and 110" leads. • Min length 9-3/8"

Series	Length	Module	Lens	Finish	Electrical Feed*
DCL2 (Extrusion #2)	Specify custom length as required to nearest 1/8" from 9.25" to 144"	3000K, 90 CRI	Clear	White	Universal End (DCL2 & DCL3 only)
		4000K, 80 CRI	Frosted	Black	Right End (DCL2, DCL3, DCL4 & DCL5 only)
DCL3 (Extrusion #3)		5000K, 80 CRI		Satin Aluminum	Left End (DCL2, DCL3, DCL4 & DCL5 only)
DCL4 (Extrusion #4)				Polished Aluminum	Right Back (DCL2, DCL3, DCL4 & DCL5 only)
DCL5 (Extrusion #5)				Polished Gold	Left Back (DCL2, DCL3, DCL4 & DCL5 only)
DCL6 (Extrusion #6)					Right Front (DCL2, DCL3, DCL4 & DCL5 only)
					Left Front (DCL2, DCL3, DCL4 & DCL5 only)
					Side Right (DCL6 only)
					Side Left (DCL6 only)
					Top (DCL6 only)

* Right an left are determined as you face the back of the future. Refer to p.7 for illustration.

Length and Wattage Information

Length Range	Total Max Wattage	Lamp Qty/on Center Spacing	Length Range	Total Max Wattage	Lamp Qty/on Center Spacing
9" – 15"	3	2/3" o.c	81" – 87"	39	26/3" o.c
15" – 21"	6	4/3" o.c	87" – 92"	42	28/3" o.c
21" – 27"	9	6/3" o.c	92" – 98"	45	30/3" o.c
27" – 33"	12	8/3" o.c	98" – 104"	48	32/3" o.c
33" – 39"	15	10/3" o.c	104" – 110"	51	34/3" o.c
39" – 45"	18	12/3" o.c	110" – 116"	54	36/3" o.c
45" – 51"	21	14/3" o.c	116" – 122"	57	38/3" o.c
51" – 57"	24	16/3" o.c	122" – 128"	60	40/3" o.c
57" – 63"	27	18/3" o.c	128" – 134"	63	42/3" o.c
63" – 69"	30	20/3" o.c	134" – 140"	66	44/3" o.c
69" – 75"	33	22/3" o.c	140" – 144"	69"	46/3" o.c
75" – 81"	36	24/3" o.c			

* Confirm catalog number with factory before ordering. Based on 3W, 6-inch and 6W, 12-inch module combinations.





Fixture Extrusion Dimensions


#4 Five -Sided with Shield	#5 Enclosed Five-Sided	#6 Cylindrical
<ul style="list-style-type: none"> • Ideal for exposed showcases, built-ins and accent lighting applications. • Complete with MC2 mounting clips (not shown). Mounting clip adds 1/8" to height. • Supplied with 1/2" flex connector (adds 1/2" to length) and 110" leads. • Min length 9-3/8" 	<ul style="list-style-type: none"> • The most popular extrusion for exposed showcase illumination. • Complete with MC4 mounting clips (not shown). Mounting clip adds 1/8" to height. • Supplied with 1/2" flex connector (adds 1/2" to length) and 110" leads. • Min length 10-1/8" 	<ul style="list-style-type: none"> • Ideal for showcase, feature displays and artwork illumination.. • Supplied with fixture swivel and 110" of lead wire. • Optional MK Canopy Mounting kit with stem sold separately (see Mounting Hardware in Accessories section for details). • Min length 9-1/4"

Mounting Hardware

DCLMC1 Universal mounting clips supplied with extrusion #2.
 **Finishes:** White or Black

DCLMC2 Universal mounting clips supplied with extrusion #3 and #4.
 **Finishes:** White or Black

DCLMC3 Mounting clips for glass to glass showcase applications optional for extrusion #3 and #4.
 **Finishes:** White or Black

DCLMC4 End mounting brackets optional for extrusions #2 and #3. (Standard for extrusion #5)
 **Finishes:** Natural Aluminum, White or Black

DMK Canopy mounting kit for extrusion #6.
 **Finishes:** White or Black

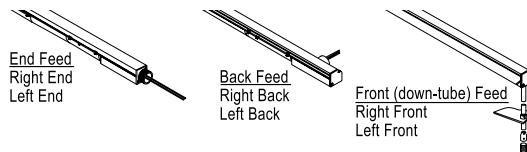
Remote Electronic Drivers

Drivers are not included with the fixtures and must be ordered separately. Select drivers based on 6W per foot. Class 2, 24V DC electronic drivers are mounted remotely. No minimum load requirement.

Series	Watts	Options
DLDP5	25 Watts 60 Watts 96 Watts (120V-277V input)	Dimmable Rocker Switch 5 ft. Cord & Plug

Feed Options

Extrusions #2, #3, #4, and #5 supplied with 1/2" flex connector with 110" Class 2 rated supply cable. Extrusion #6 supplied with mounting stem with 110" supply cable and swivel (6" minimum length on stem). Specify stem length. Can be mounted with canopy kit, MK (see above). When grouping fixtures, consult factory.



Right and left are determined as you face the back of the fixture.



Photo Credit:
Inside Spread & Back Cover: Bloomingdales (Tim Griffith, Photographer)



©2017 Acuity Brands Lighting, Inc. The marks appearing in this catalog are trademarks of Acuity Brands Lighting, Inc. Products shown in this brochure may be covered by U.S. and international patents and patents pending. Specifications subject to change without notice. Printed in the U.S.A.