



Juno® Trac-Master™ Trac Lighting Systems

Comprehensive line and low voltage track systems

JUNO®

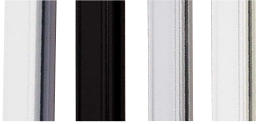
Juno® Trac-Master™ System

Safe and simple installation is what you can expect from Juno one-circuit and two-circuit track systems. All are engineered and manufactured using the latest technology, assuring the highest possible quality.

Juno Trac Sections

Key Features of Juno Trac Sections:

- Extruded aluminum channels for strength and rigidity.
- Low profile minimizes visual ceiling intrusion.
- 12 gauge solid copper conductors.
- Available in a variety of finishes: white, black, silver or natural.
- Extruded thermoplastic insulator features dimensional and thermal stability, plus excellent insulating properties 12-gauge solid copper conductors.
- Debossed visual polarity line indicates the positive conductor (+) side of the track.

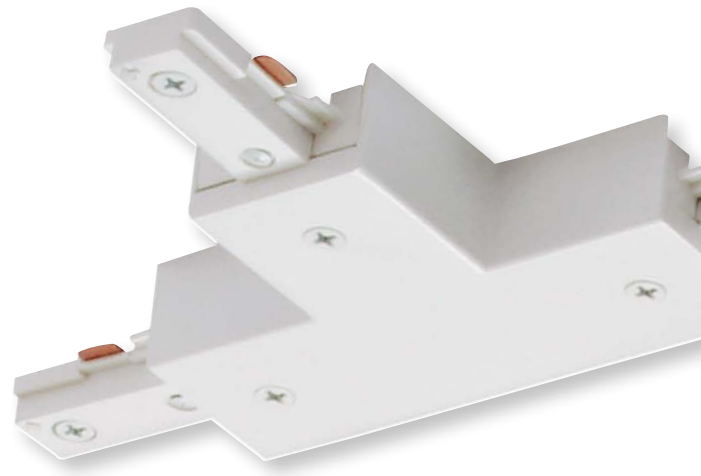


One-Circuit Track

Two-Circuit Track

Juno Trac Connectors

Juno Trac “push-in” connectors mechanically and electrically join track sections together, thereby eliminating the need for splices and greatly simplifying installation.



Key Features of Juno Trac Connectors:

- Embossed polarity arrows indicate correct insertion position.
- Mechanical polarity assures proper electrical connection.
- Screw terminals simplify wiring.
- Spring-loaded phosphor bronze contacts provide excellent electrical conductivity.
- Polycarbonate cover construction provides strength, insulation and permanent color.

Polarity

Mechanical polarity is standard on all Juno Trac-Master components, thus simplifying installation and assuring correct electrical connection. Each track section has a debossed polarity line that indicates the positive conductor side. Both the connectors and the track fixtures have indicator arrows designed to point to the track polarity line when installed properly. The system is virtually foolproof.

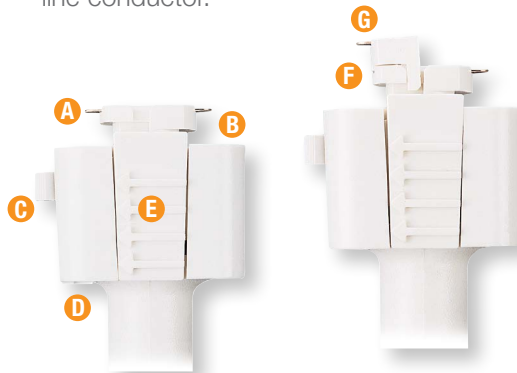


Juno Super Adapter

The standard Juno Super Adapter permits Juno Trac fixtures to be used on one-circuit or two-circuit track systems.

Key Features of Juno Super Adapter:

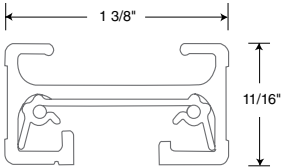
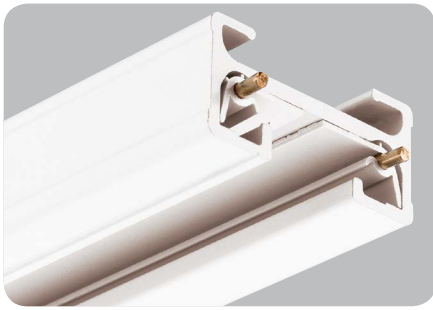
- A** Copper alloy contacts provide the best possible electrical conductivity and precise spring action; there's no arcing and will not take a set.
- B** True, positive electrical ground.
- C** On/off switch included on all T-series track fixtures with Super Adapter.
- D** Patented, embossed polarity arrows on bottom of adapter.
- E** Spring-loaded positive latch with embossed polarity arrows secures track fixture to track.
- F** Raise contact to "up" position for two-circuit installation.
- G** Upper-circuit contact support assures proper contact with line conductor.



Juno Trac Adapter

Used on a number of Juno fixtures, this adapter offers the same great features as the Super Adapter but in a more contemporary aesthetic design.

Juno® Trac-Master™ One-Circuit System



One-circuit Trac-Master™ sections are available as surface mounted track or may be suspended from ceilings with pendant accessories listed on page 3.

Key Features

- Extruded aluminum channel and thermoplastic insulator
- Debossed polarity line
- 12 gauge solid copper conductors
- Concealed wireway on top of trac section
- 20 AMP capacity
- UL Listed, CSA Certified
- Can be cut to custom length by installer

One-Circuit Track Sections Includes dead-end mounting hardware.

Series	Description	Finishes
T 2FT	2' Track (actual length 19-7/8")	WH White, BL Black, NA Natural, SL Silver
T 4FT	4' Track (actual length 43-7/8")	WH White, BL Black, NA Natural, SL Silver
T 6FT	6' Track (actual length 67-7/8")	WH White, BL Black, NA Natural, SL Silver
T 8FT	8' Track (actual length 91-7/8")	WH White, BL Black, NA Natural, SL Silver
T 12FT	12' Track (actual length 139-7/8")	WH White, BL Black, NA Natural, SL Silver

Electrical End Feeds

Current Limiting Feeds and Subpanels are also available for use with Juno Trac.



T21 End Feed Connector and Outlet Box Cover
For outlet box feed. Includes outlet box cover, fixture strap and ground screw.
Finishes: **BL** Black, **WH** White, **SL** Silver



T38 Live End Feed Connector
Feed track from above flexible conduit, BX, etc., or end feed in pendant systems. Use standard 1/2" connector.
Finishes: **BL** Black, **WH** White, **SL** Silver



T34 Conduit Adapter
For surface wiring using 1/2" connector.
Finishes: **BL** Black, **WH** White, **SL** Silver



T22 Cord and Plug Connector
Comes with 15' two-wire white cord. Includes surface wire retainers and in-line switch. Max. cap. 7 amps.
Finishes: **BL** Black, **WH** White, **SL** Silver



T36 T-Bar End Feed
Wiring compartment contains standard 1/2" K.O.'s. Feeds surface track from above when T-bar is directly above track.
Finishes: **BL** Black, **WH** White, **SL** Silver

T122 Cord and Plug Connector
Same as above with white or black 3-wire cord. No switch.
Finishes: **BL** Black, **WH** White, **SL** Silver

Electrical Joiner Feeds



T35 T-Bar Adjustable Joiner Feed
Joins two track sections to make 90° angle or straight run. Wiring compartment contains standard 1/2" K.O.'s. Feeds from above when T-bar is directly above track.
Finishes: **BL** Black, **WH** White, **SL** Silver



T27 Outlet Box Cover
Use with T24, T25, T26, for outlet box electrical feed. Includes nipple, locknut and ground screw.
Finishes: **BL** Black, **WH** White, **SL** Silver, **BZ** Bronze

Electrical Floating Feed



T29 Floating Electrical Feed
Permits mounting at any point of track under outlet box. Includes floating connector and outlet box cover plus extra track dead end.
Finishes: **BL** Black, **WH** White, **SL** Silver

Track Joiners



T20 Accordion Adjustable Joiner
Can flex to 90° angle to left, right, up or down. Joins two track sections.
Finishes: **BL** Black, **WH** White, **SL** Silver



T23 Miniature Straight Connector
Joins two track sections end to end.
Finishes: **BL** Black, **WH** White, **SL** Silver



T24N Adjustable Connector†
Joins two track sections to make a 90° angle or straight run. Straight and right angle covers supplied. For outlet box feed T27 Outlet Box Cover also required.
Finishes: **BL** Black, **WH** White, **SL** Silver



T25 "T" Connector‡
Joins three track sections. For outlet box feed T27 Outlet Box Cover also required.
Finishes: **BL** Black, **WH** White, **SL** Silver



T26 "X" Connector‡
Joins four track sections at 90° angles. For outlet box feed T27 Outlet Box Cover also required.
Finishes: **BL** Black, **WH** White, **SL** Silver



T49 Trac Continuation Kit
Permits trac to continue a run around obstructions. Includes one left and one right T34 Conduit Adapter. Fits standard 1/2" conduit.
Finishes: **BL** Black, **WH** White, **SL** Silver

Pendant Mounting Accessories



T93 Wireway Cover
For pendant stem kits T90 and T91. Conceals electrical feed wires from stem to track connector. One cover should be used for each track feed.
Finishes: **BL** Black, **WH** White, **SL** Silver, **BZ** Bronze



T92 Straight Structural Bridge
For use with T24 connector when used straight. Permits mounting pendant stem kits (T90, T91) at center of track connector.



T92L Corner Structural Bridge
For use with T24 connector when used at 90°. Permits mounting pendant stem kits (T90, T91) at center of track connector.
Finishes: **BL** Black, **WH** White, **SL** Silver



T39 Track Wireway Cover
4' long black thermoplastic extrusion, covers wire carried in track wireway. Use one for 4' track, two for 8' track and three for 12' track. Can be field cut.
Finish: **BL** Black



T56 Solid Rod Pendant Mounting Kit
Attaches solid 5/16" threaded rod to one- or two-circuit track. Includes: plastic cap, mounting bracket and hardware. Rod not supplied.
Finishes: **BL** Black, **WH** White, **SL** Silver, **BZ** Bronze



T90 12IN T-Bar Pendant Stem Kit
T90 18IN (12", 18", 24", 36", 48") Use two for 2', 4' or 6' of track or three for 8' of track and four for 12' of track. For electrical feed, order Wireway Cover T93 and T38 Live End Feed.
T90 24IN
T90 36IN
T90 48IN

T91 12IN Rigid Ceiling Pendant Stem Kit
T91 18IN (12", 18", 24", 36", 48") Attaches directly to junction box. Use two for 2', 4' or 6' of track or three for 8' of track and four for 12' of track. For electrical feed, order Wireway Cover T93 and T38 live end feed.
Finishes: **BL** Black, **WH** White, **SL** Silver, **BZ** Bronze



T94 Ceiling Slope Adapter
Allows T90 or T91 pendant to hang straight down from sloped ceilings. Can be used to electrically feed track at up to a 60° angle.
Finishes: **BL** Black, **WH** White, **SL** Silver, **BZ** Bronze



T96 Pendant Stem Coupling
Joins pendant stems for use in higher ceiling applications.
Finishes: **BL** Black, **WH** White, **SL** Silver, **BZ** Bronze

Accessories



T31 Pendant Adapter
Adapts cord, swag or chain-hung fixture to track. Supports up to 25 lbs. Not UL listed. 2.5A max.
Finishes: **BL** Black, **WH** White, **SL** Silver



T32 Planter or Utility Hook
Supports up to 25 lbs. Not UL listed.
Finishes: **BL** Black, **WH** White, **SL** Silver



T33 Outlet Adapter
Provides electrical receptacle. Not UL listed. 7A max.
Finishes: **BL** Black, **WH** White, **SL** Silver



T37F T-Bar Attachment Clip
Attaches track to 15/16" inverted tee flush tile ceiling. Use two for 2' or 4' track and three for 6', 8' or 12' track.

T37F916 T-Bar Attachment Clip
Same as above but for 9/16" inverted tee.

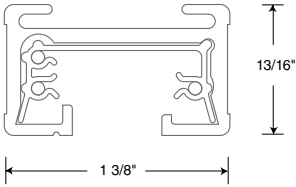
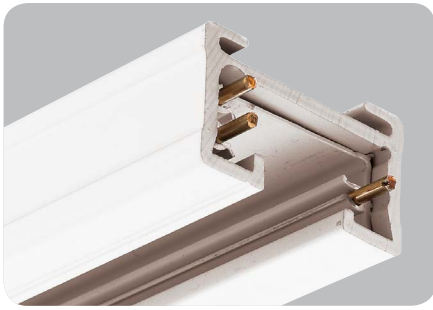
T37D T-Bar Attachment Clip
Attaches track to 15/16" inverted tee drop tile ceiling. Use two for 2' or 4' track and three for 6', 8' or 12' track.

T37D916 T-Bar Attachment Clip
Same as above but for 9/16" inverted tee.

† Use T24F as a feed connector in Canada.

‡T25 and T26 cannot be used as feed connectors in Canada.

Juno® Trac-Master™ Two-Circuit System



Juno two-circuit Trac-Master™ features a sleek low profile design with the flexibility of individual circuit control for combining dual lighting effects along a single track.

Two-circuit track offers maximum switching flexibility and two 20AMP circuits (2400 watt each). The system permits individual circuit control (for both circuits) with the use of switches, dimmers or timers. In long track runs, the increased capacity eliminates 50% of the feed points. Two-circuit Trac-Master will accept all Juno Trac-Master lampholders. Track sections are available as surface mounted track or may be suspended from ceilings with pendant mounting accessories listed on page 5.

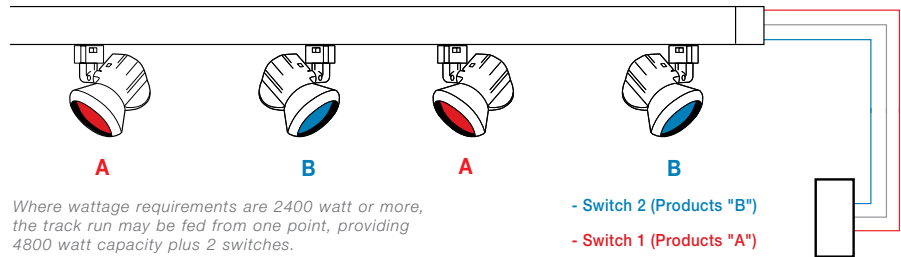
Two-Circuit Track Sections Includes dead-end and Super Adapter upper-circuit contact supports.

Series	Description	Finishes
TU 4FT	4' Track (actual length 43-7/8") 3 contact supports included	WH White, BL Black, SL Silver
TU 8FT	8' Track (actual length 91-7/8") 6 contact supports included	WH White, BL Black, SL Silver
TU 12FT	12' Track (actual length 139-7/8") 9 contact supports included	WH White, BL Black, SL Silver

Key Features

- Extruded aluminum channel and thermoplastic insulator
- Debossed polarity line
- 12 gauge solid copper conductors
- Concealed wireway on top of track section
- 20 AMP capacity
- UL Listed, CSA Certified
- Can be cut to custom length by installer

Switching Use two switches for greater light control, two circuits for greater capacity.



One Circuit with Two Switches 2400W max.

Two switches may be used on each track run with a portion of Juno Trac lights controlled by Switch 1 and the balance on Switch 2. Dimmers or timers also can be utilized to provide other lighting effects.

Two Circuits with Two Switches 4800W max.

Juno two-circuit Trac-Master provides a load capacity of 4800 watts (two 2400 watt circuits). This "double capacity" eliminates 50% of the feed points in long runs reducing wiring costs and simplifying the installation. Two separate circuit switches permit flexibility in combining lighting effects along the run.

Electrical End Feeds

Current Limiting Feeds and Subpanels are also available for use with Juno Trac.



TU21 End Feed Connector and Outlet Box Cover
For outlet box feed. Includes: outlet box cover, fixture strap and ground screw.
Finishes: **BL** Black, **WH** White, **SL** Silver



TU38 Live End Feed Connector
Feed track from above with flexible conduit, BX, etc., or end feed in pendant systems. Use standard 1/2" connector.
Finishes: **BL** Black, **WH** White, **SL** Silver



TU34 Conduit Adapter
For surface wiring. Use standard 1/2" connector.
Finishes: **BL** Black, **WH** White, **SL** Silver



TU36 T-Bar End Feed
Wiring compartment contains standard 1/2" K.O.'s. Feeds surface track from above when T-bar is directly above track.
Finishes: **BL** Black, **WH** White, **SL** Silver

Electrical End Feeds



TU35 T-Bar Adjustable Joiner Feed
Joins two track sections to make 90° angle or straight run. Wiring compartment contains standard 1/2" K.O.'s. Feeds from above when T-bar is directly above track.
Finishes: **BL** Black, **WH** White, **SL** Silver



T27 Outlet Box Cover
Use with TU24, TU25, TU26, for outlet box electrical feed. Includes nipple, locknut and ground screw.
Finishes: **BL** Black, **WH** White, **SL** Silver, **BZ** Bronze

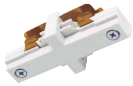
Track Joiners



TU20 Accordion Adjustable Joiner
Can flex to 90° angle to left, right, up or down. Joins two track sections.
Finishes: **BL** Black, **WH** White, **SL** Silver



TU25 "T" Connector†
Joins three track sections. For outlet box feed T27 Outlet Box Cover also required.
Finishes: **BL** Black, **WH** White, **SL** Silver



TU23 Straight Connector
Joins two track sections end-to-end.
Finishes: **BL** Black, **WH** White, **SL** Silver



TU26 "X" Connector†
Joins four track sections at 90° angles. For outlet box feed T27 Outlet Box Cover also required.
Finishes: **BL** Black, **WH** White, **SL** Silver



TU24 Adjustable Connector†
Joins two track sections to make a 90° angle or straight run. Straight and right angle covers supplied. For outlet box feed T27 Outlet Box Cover also required.
Finishes: **BL** Black, **WH** White, **SL** Silver

Pendant Mounting Accessories



T90 12IN T-Bar Pendant Stem Kit
T90 18IN (12", 18", 24", 36", 48") Use two for 2', 4' or 6' of track or three for 8' of track and four for 12' of track. For electrical feed, order Wireway Cover T93 and TU38 Live End Feed.



T93 Wireway Cover
For pendant stem kits T90 and T91. Conceals electrical feed wires from stem to track connector. One cover should be used for each track feed.
Finishes: **BL** Black, **WH** White, **SL** Silver, **BZ** Bronze

T91 12IN Rigid Ceiling Pendant Stem Kit
T91 18IN (12", 18", 24", 36", 48") Attaches directly to junction box. Use two for 2', 4' or 6' of track or three for 8' of track and four for 12' of track. For electrical feed, order Wireway Cover T93 and T38 live end feed.
Finishes: **BL** Black, **WH** White, **SL** Silver, **BZ** Bronze



T56 Solid Rod Pendant Mounting Kit
Attaches solid 5/16" threaded rod to one- or two-circuit track. Includes: plastic cap, mounting bracket and hardware. Rod not supplied.
Finishes: **BL** Black, **WH** White, **SL** Silver, **BZ** Bronze



T94 Slope Ceiling Adapter
Allows T90 or T91 pendant to hang straight down from sloped ceilings. Can be used to electrically feed track at up to a 60° angle.
Finishes: **BL** Black, **WH** White, **SL** Silver, **BZ** Bronze



T96 Pendant Stem Coupling
Joins pendant stems for use in higher ceiling applications.
Finishes: **BL** Black, **WH** White, **SL** Silver, **BZ** Bronze

Accessories



T31 Pendant Adapter
Adapts cord, swag or chain-hung fixture to track. Supports up to 25 lbs. Not UL listed. 2.5A max.
Finishes: **BL** Black, **WH** White, **SL** Silver



T33 Outlet Adapter
Provides electrical receptacle. Not UL listed. 7A max.
Finishes: **BL** Black, **WH** White, **SL** Silver



T32 Planter or Utility Hook
Supports up to 25 lbs. Not UL listed.
Finishes: **BL** Black, **WH** White, **SL** Silver



T37F T-Bar Attachment Clip
Attaches track to 15/16" inverted tee flush tile ceiling. Use two for 2' or 4' track and three for 6', 8' or 12' track.

T37F916 T-Bar Attachment Clip
Same as above but for 9/16" inverted tee.

T37D T-Bar Attachment Clip
Attaches track to 15/16" inverted tee drop tile ceiling. Use two for 2' or 4' track and three for 6', 8' or 12' track.

T37D916 T-Bar Attachment Clip
Same as above but for 9/16" inverted tee.

†TU24, TU25 and TU26 cannot be used as feed connectors in Canada.

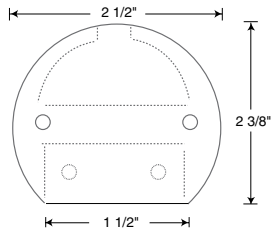
Juno® Trac Tube System



The tubular design of this system adds style and flexibility to track systems. The Juno Trac Tube System can be surface, pendant or wall mounted for a fresh perspective in lighting design.

Key Features

- 2 1/2" diameter extruded aluminum housing
- Straight runs or geometric patterns
- 20AMP capacity
- UL Listed, CSA Certified
- Field cutting is not recommended



Track Tube Assembly Includes tubular housing, end caps, track section, starter and end connectors.

Series	Description	Finishes
TT 4FT	4' Track (One circuit. Actual length 48-3/8")	WH White, BL Black
TT 8FT	8' Track (One circuit. Actual length 96-3/8")	WH White, BL Black

Joiner Kits

The Juno Trac Tube System is available in two finishes only, black and white and uses one-circuit track. Right angle corners and flexible accordion joiners can be combined to create unique and distinctive design to track lighting schemes.



TT503 Straight Joiner Kit

Joins two track tube sections in a straight run. Includes electrical jumpers, joiner bracket and joiner cover.

Finishes: **BL** Black, **WH** White



TT524 90° Right Angel Corner

Joins two track tube sections. Includes electrical jumpers and joiner brackets.

Finishes: **BL** Black, **WH** White



TT520 Flexible Accordion Joiner

Joins two track tube sections. Adjusts from 60° to 300°. Includes electrical jumpers and joiner brackets.

Finishes: **BL** Black, **WH** White

Mountings



TT528 Surface Mount Bracket
For mounting on T-bar or rigid ceiling. Supports track housing 1-1/2" from ceiling. Use two for each track tube section.
Finishes: **BL** Black, **WH** White



TT529 Wall Mount Bracket
For mounting track tube from wall. Track tube extends 17-1/4" from wall. Use two for each track tube section.
Finishes: **BL** Black, **WH** White



TT590 12IN T-Bar Pendant Stem Kit
TT590 18IN (12", 18", 24", 36", 48")
TT590 24IN Use two for 4' or 8' of track tube.
TT590 36IN Continuous runs require one every 4'.
TT590 48IN Mechanically suspends and electrically feeds track tube. Feed wires can be routed through pipe.

TT591 12IN Rigid Ceiling Pendant Stem Kit
TT591 18IN (12", 18", 24", 36", 48")
TT591 24IN Use two for 4' and 8' of track tube.
TT591 36IN Continuous runs require one every 4'. Similar to above but for rigid ceiling.
TT591 48IN Similar to above but for rigid ceiling.
Finishes: **BL** Black, **WH** White



TT595 T-Bar Ceiling Pendant Cable
Mechanical suspension for track tubes. Continuous runs require one every 4'. Adjustable 48" cable.
Finishes: **BL** Black, **WH** White

TT596 T-Bar Ceiling Pendant Cable
Similar to above but with 48" electrical feed flexible wireway and wires.
Finishes: **BL** Black, **WH** White

TT597 Rigid Ceiling Pendant Cable
Mechanical suspension for track tubes. Continuous runs require one every 4'. Adjustable 48" cable.
Finishes: **BL** Black, **WH** White

TT598 Rigid Ceiling Pendant Cable
Similar to above but with 48" electrical feed flexible wireway and wires.
Finishes: **BL** Black, **WH** White

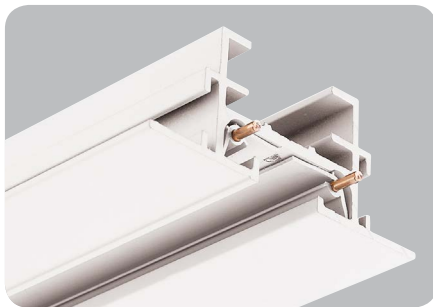


T94 Slope Ceiling Adapter
Allows TT590 or TT591 pendant to hang straight down from sloped ceilings. Can be used to electrically feed track at up to a 60° angle.
Finishes: **BL** Black, **WH** White



T96 Pendant Stem Coupling
Joins pendant stems for use in higher ceiling applications.
Finishes: **BL** Black, **WH** White

Juno® Recessed Trac-Master™ System

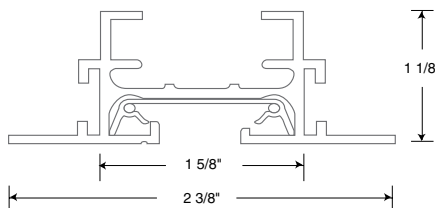


Recessed track provides a clean, built-in and finished look to lighting designs. Juno recessed track installs into plasterboard and suspended ceilings for polished, professional decor. One-circuit Trac-Master recessed track sections allow track lights to be mounted flush to the ceiling.

Key Features

- Extruded aluminum channel and thermoplastic insulator
- Debossed polarity line
- 12 gauge solid copper conductors
- Concealed wireway on top of trac section
- 20 AMP capacity
- UL Listed, CSA Certified
- Can be cut to custom length by installer

Recessed Track Sections For dry ceilings (Straight runs only)



Series	Description	Finishes
TREC 4FT	4' Recessed Track (One Circuit. Actual length 43-7/8")	WH White
TREC 8FT	8' Recessed Track (One Circuit. Actual length 91-7/8")	WH White

Recessed Track Connectors



T121 Feed End Connector
With wiring box for electrifying track.
Finishes: **WH** White



T123 Mini Straight Joiner Connector
Mechanically and electrically joins two track sections end to end.
Finishes: **WH** White

Juno® Monopoints

Monopoints increase the versatility of Juno Trac fixtures by allowing them to be mounted where track sections do not offer the best aesthetic or functional solution.

Outlet Box Monopoints



T40N Monopoint
Mounts directly to outlet box. Accepts Juno 120V track lights. Dimensions: 4-3/4" Dia. x 5/8" H. Finishes: **BL** Black, **WH** White, **SL** Silver



T58 Monopoint
Mounts directly to outlet box. To be used with T537 or T538 Transformer. Dimensions: 6-1/2" Dia. x 1/2" H. Finishes: **BL** Black, **WH** White, **SL** Silver, **BZ** Bronze

T40F Monopoint (Flush Mount)
Dimensions: 5-1/4" Dia. x 1/32" H. Finishes: **BL** Black, **WH** White, **SL** Silver



T41N Duopoint
Mounts directly to outlet box. Accepts two Juno 120V track lights. Dimensions: 13" W x 4" D x 5/8" L. Finishes: **BL** Black, **WH** White, **SL** Silver

Special Monopoints



T42N Weighted Base
For portable use. Accepts Juno 120V track lights. Supplied with 8' cord and plug. Dimensions: 4-3/4" Dia. x 5/8" H. Finishes: **BL** Black, **WH** White



T45 Pin-Up/Monopoint
Accepts Juno 120V track lights. 8' cord and plug supplied. Dimensions: 2" W x 4-1/4" H x 1/2" D. Finishes: **BL** Black, **WH** White



T46 Clamp Monopoint
Clamps to pipe or planking up to 2-1/2" thick. Accepts all Juno 120V track lights. 8' 3-wire black cord and plug supplied.

Monopoints for 6" Recessed Housings



T57N Monopoint Cover – Line Voltage
Permits Juno line voltage track lights to be attached directly to Juno 6" recessed housings. Dimensions: 7-5/8" Dia. x 3/16" H. Finishes: **WH** White



T539 Monopoint Cover – Low Voltage
Contains integral electronic transformer. Permits Juno low voltage lights to be attached directly to Juno 6" recessed housings. Dimensions: 7-5/8" D x 3/16" H. Finishes: **WH** White

Low Voltage 4" Recessed Monopoints



T543 Monopoint Transformers
For new construction. Includes 50VA-12V magnetic transformer, pre-wired recessed housing, canopy, adjustable bar hangers and thermal protector. Accepts Juno Trac lights that operate using a separate low voltage transformer. Dimensions: Canopy: 5" Dia. x 1/4" H. Recessed Housing: 5-1/4" H. Finishes: **WH** White

Juno® Mounting Accessories



Coil Cord Clamp-Ons with Monopoint

Coil cord clamp-ons provide an innovative way to mount fixtures to pipe and flat surfaces up to 1-1/2" thick. Designed with futuristic styling in mind for dynamic displays and special mounting situations.

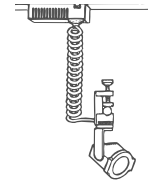
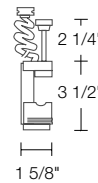
Track Low Voltage



T135 Coil Cord Clamp-On

Attaches to T537 or T538 Transformer. Accepts Juno low voltage mini spots. 2' coil cord extends to 5'.

Finishes: **BL** Black, **WH** White



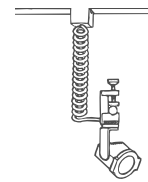
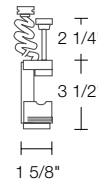
Track Line Voltage



T132 Coil Cord Clamp-On

Attaches to all Juno Trac sections. Accepts Juno 120V track lights (with square Super Adapter only). Includes on/off switch. 2' coil cord extends to 5'.

Finishes: **BL** Black, **WH** White



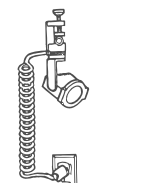
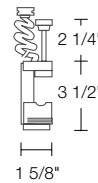
Plug-In Line Voltage



T133 Coil Cord Clamp-On

With coil cord and male plug (for standard 120V receptacle). Accepts Juno 120V track lights (with square Super Adapter only). 2' coil cord extends to 5'.

Finishes: **BL** Black, **WH** White



Outrigger Track Mounting Bracket



T47 Trac Outrigger (non-electrified)

For mounting track out from wall. Use 2 for 2', 4' or 6' track sections, 3 for 8' sections. Order track and track connectors separately. For portable electric feed, use T22 or T122 Cord and Plug Connector. For permanent wiring use T38 Live End Feed. Dimensions: 24" L x 8" H

Finishes: **BL** Black, **WH** White

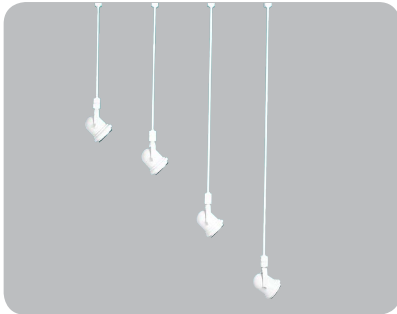


Juno® Mounting Accessories

Extension Wands

Suspend fixtures precisely where they are needed without lowering the track section. On/off switch is standard.

Line Voltage



Line voltage extension wands suspend all Juno line voltage track lights (with square Super Adapter only) from all Juno Trac. May also be used with Monopoint connections. Can be used on all 120V track. Constructed of 1/2" rigid tubular steel and Lexan® plastic.

Series	Overall Length	Finishes
TEW 12IN	13-1/2"	WH White, BL Black, SL Silver
TEW 18IN	19-1/2"	WH White, BL Black, SL Silver
TEW 24IN	25-1/2"	WH White, BL Black, SL Silver
TEW 36IN	37-1/2"	WH White, BL Black, SL Silver
TEW 48IN	49-1/2"	WH White, BL Black, SL Silver
TEWS†	28"	WH White, BL Black, SL Silver

†Wand with slope adapter on top.

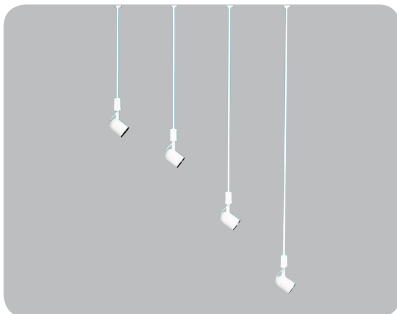


T95 Slope Ceiling Adapter

Attaches to track, permitting Juno Trac-Master and Trac-Lites Trac fixtures (with square Super Adapter only) to be hung vertically from sloped ceiling. 90° maximum adjustment. 4-3/4" H

Finishes: **BL** Black, **WH** White, **SL** Silver, **BZ** Bronze

Line Voltage



Low voltage extension wands suspend low voltage mini spotlights from Juno T537 and T538 Transformers (transformers can be used on all 120V track). May also be used with low voltage Monopoints T539, T542, and T543. Constructed of 1/2" rigid tubular steel and Lexan® plastic.

Series	Overall Length	Finishes
TWL12 12IN	13-1/2"	WH White, BL Black, SL Silver
TWL18 18IN	19-1/2"	WH White, BL Black, SL Silver
TWL24 24IN	25-1/2"	WH White, BL Black, SL Silver
TWL36 36IN	37-1/2"	WH White, BL Black, SL Silver
TWL48 48IN	49-1/2"	WH White, BL Black, SL Silver

Low Voltage Transformers

12-Volt Transformers



T537 Transformer

Low profile designer solid state electronic 12V transformer with on/off switch. Attaches to all Juno 120V track and T58 Monopoint. Rated for fixtures using 20-75W 12V halogen lamps.

Finishes: **BL** Black, **WH** White, **SL** Silver



T538 Transformer

Solid state electronic 12V transformer with on/off switch. Attaches to all Juno 120V track and T58 Monopoint. Use Rated for fixtures using 20-75W 12V halogen lamps.

Finishes: **BL** Black, **WH** White, **SL** Silver

Quick Jack Transformers



T537 QJ Quick Jack Transformer

Low profile designer 12V electronic Quick Jack Transformer for Juno Quick Jack directionals or pendants. For use on all Juno 120V track and T58 Monopoint. Rated for fixtures using 20-75W 12V halogen lamps.

Finishes: **BL** Black, **WH** White, **SL** Silver

T537 QJ LED LED-Compatible Quick Jack Transformer

Similar to T537 QJ above except compatible with both 12V LED and halogen fixtures. 50W max. rating.

Finishes: **BL** Black, **WH** White, **SL** Silver



©2017 Acuity Brands Lighting, Inc. The marks appearing in this catalog are trademarks of Acuity Brands Lighting, Inc. Products shown in this brochure may be covered by U.S. and international patents and patents pending. Specifications subject to change without notice. Printed in the U.S.A.