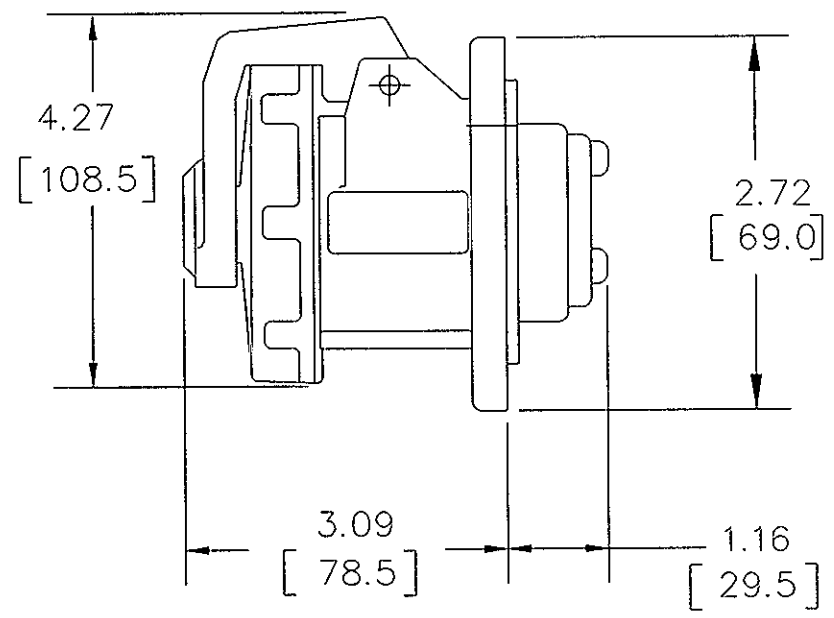
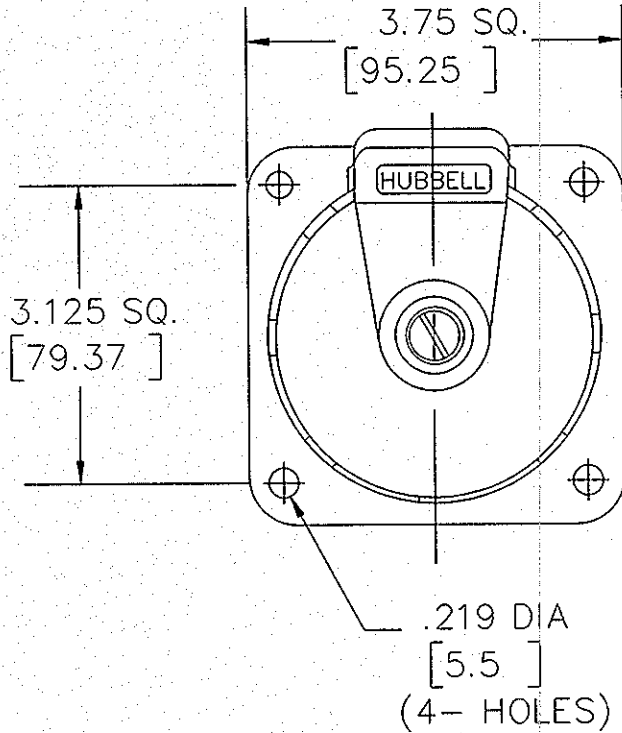
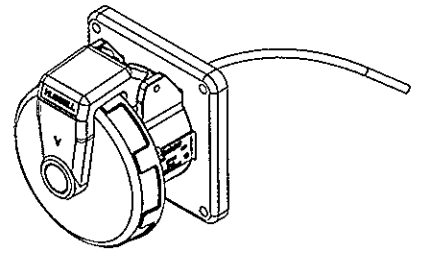


M-6073 6



NOTES: (UNLESS OTHERWISE SPECIFIED)
 1) DIMENSION FORMAT IS INCHES [mm]
 2) DIMENSIONS SHOWN ON THIS DRAWING ARE NOMINAL VALUES FOR GENERAL USE ONLY. ACTUAL PART TOLERANCES MUST BE OBTAINED FROM HUBBELL ENGINEERING.

LIST OF PARTS		
DESCRIPTION	MATERIAL	FINISH
HOUSING	SEE TABLE	
INTERIOR	THERMOSET	
SLEEVES	BRASS	
PH & NEUT. SPR.	STAIN. STEEL	
GRD. INSERT	BERR COPPER	SILVER
TERM. SCR.	STAIN. STEEL	
COVER	POLYESTER	
COV. SCR.	BRASS	NICKEL
COV. SPR.	STAIN. STEEL	
GASKET	RUBBER	
DISC	POLYCARBONATE	
ARM	POLYESTER	
HINGE PIN	STAIN. STEEL	
HINGE SPR.	STAIN. STEEL	
ASS'Y SCRS	STAIN. STEEL	



CATALOG NO. HBL430R9W
(NOT SHOWN TO SCALE)

CAT NO.	CONFIGURATION	RATING	HOUSING		CAT. NO.	CONFIGURATION	RATING	HOUSING	
			COLOR	MATERIAL				COLOR	MATERIAL
					HBL430R7W		30A 3ø 480VAC	RED	NYLON
					HBL430R6V02		30A 380-415 VAC 32A 380-415 VAC	RED	VALOX
HBL432R3W		32A-3h 380V-50HZ~ 440V-60HZ~	RED	NYLON	HBL430R9W		30A 3ø 250VAC	BLUE	NYLON
					HBL430R9V0		30A 3ø 250VAC	BLUE	VALOX
HBL430R5W		30A 3ø 600VAC	BLACK	NYLON					
HBL432R6W		32AMP 380V-415VAC	RED	NYLON	HBL430R12W		30AMP 125/250VAC	ORANGE	NYLON

SYM	REVISIONS	APP	DATE
6	ADDED ISO VIEW TO INDICATE SOLID MODEL EMBEDDED IN DRAWING. PER DCN 21895 DDL	DJP	02/22/16
5	ADDED CAT. NO. HBL430R6V02 PER DCN 19871 SPN	DJP	6/10/13
4	ADDED HOUSING COLUMN ADDED HBL430R9V0 380-415VAC WAS 380VAC ADDED NOTE SEE TABLE WAS NYLON ERASED HBL430R6W PER DCN8695. JMN	TCM	10-25-01
3	ADDED "HBL" TO CAT # EC 7185	RDK	10-7-99

THE DESIGN AND DIMENSIONS OF THE PRODUCT SHOWN ON THIS DRAWING ARE SUBJECT TO CHANGE WITHOUT NOTICE

TITLE
30 & 32A 3 POLE 4 WIRE PIN AND SLEEVE RECEPTACLES

TOLERANCES UNLESS OTHERWISE SPECIFIED .XX = ± .01 .XXX = ± .005 ANGLES = ± 2°	WIRING DEVICE-KELLEMS HUBBELL INCORPORATED SHELTON, CT		
	DR. BY	W.T.C.	APP. BY
	TR. BY		SCALE NONE
	CHK'D BY		DATE 5-5-80

DIMENSION SHEET FOR CAT. NO. M-6073
 REPAIRABLE NON-REPAIRABLE