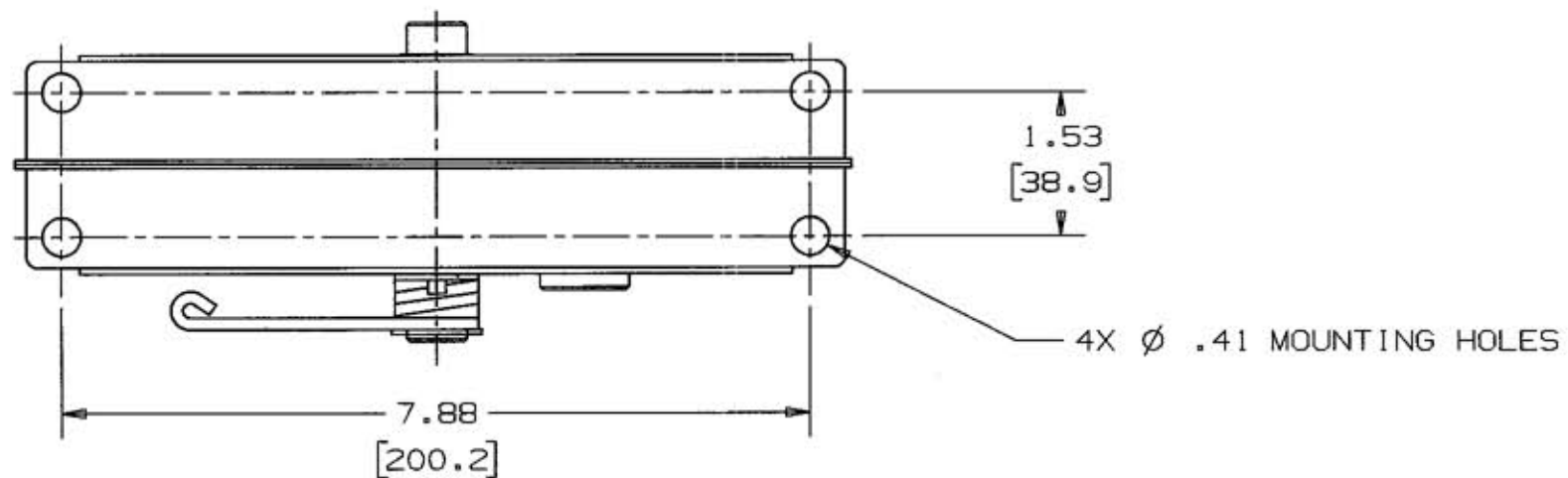
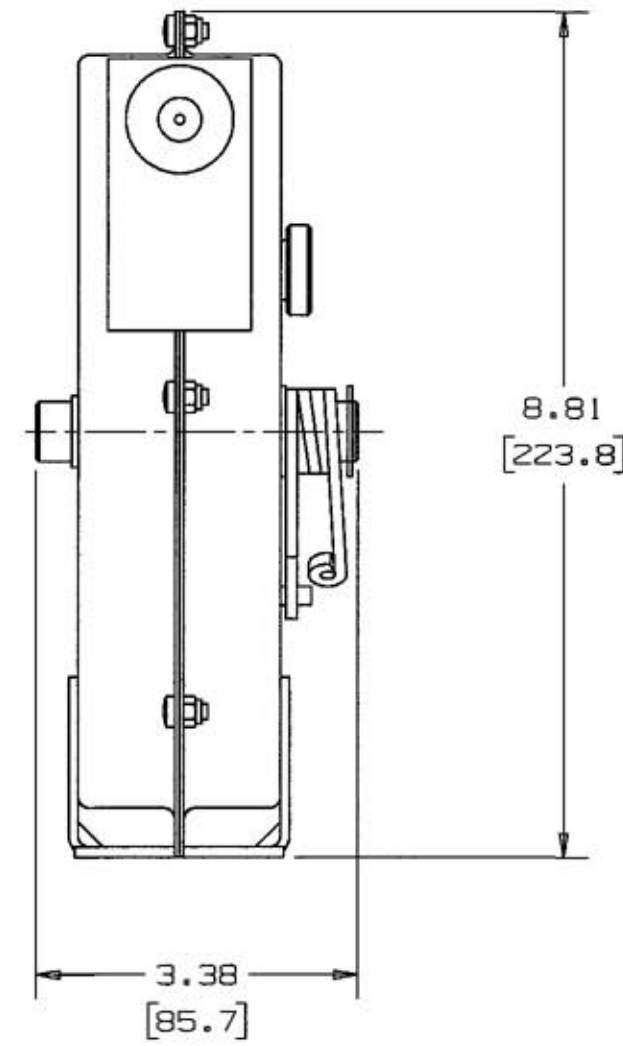
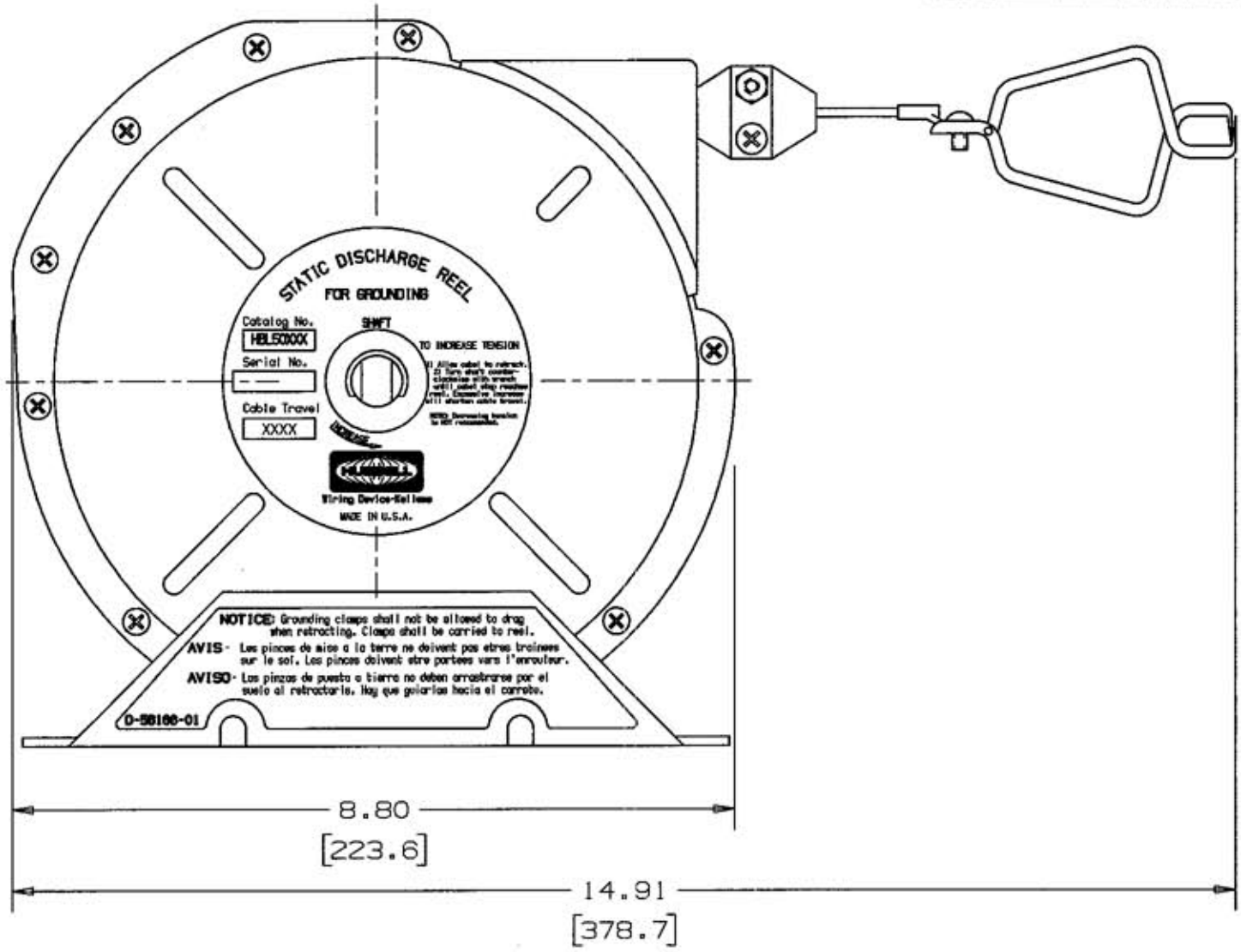


M-7679 3



CATALOG NUMBER	SHIPPING WEIGHT	DESCRIPTION
HBL50SD	12 LBS.	SINGLE 50' CABLE
HBL50YSD	12 LBS.	DUAL 15' "Y" CABLE W/35' BACKING CABLE
HBL50SDN	12 LBS.	SINGLE 50' NYLON COATED CABLE CABLE

NOTE: INCHES [mm]

LIST OF PARTS

DESCRIPTION	MATERIAL	FINISH
INTERNAL CIRCUITRY PARTS	COPPER ALLOY	
REEL BASE & BODY	STEEL	YELLOW
CABLE STOP & GUIDE	THERMOPLASTIC	BLACK
CABLE	* 3/32" O.D. 7 X 7 STRANDED STEEL	
CLIPS, 100AMP	COPPER	

* CATALOG HBL50SDN HAS THE SAME CABLE EXCEPT NYLON COATED, 1/8" OVERALL DIAMETER

SYM	REVISIONS	APP	DATE
3	ADD CAT HBL50SDN & (* CALLOUT 1GPK DCN14450)	CJC	12/14/07
2	12/04/01 ADDED METRIC VALUES TO ALL DIMENSIONS. PER DCN 8696 SPN	TCM	12/04/01
1	RELEASED PER DDN #4599 JMN	CJC	10/10/96

THE DESIGN AND DIMENSIONS OF THE PRODUCT SHOWN ON THIS DRAWING ARE SUBJECT TO CHANGE WITHOUT NOTICE

TITLE
STATIC REEL

TOLERANCES UNLESS OTHERWISE SPECIFIED	WIRING DEVICE DIVISION HUBBELL, INCORPORATED BRIDGEPORT, CT	
FRACTIONS ±1/64	DR. BY JMN	APP. BY CJC
DECIMALS ±.005	TR. BY	SCALE NONE
ANGLES ±2°	CHK'D BY	DATE 10/10/96

DIMENSION SHEET FOR CAT. NO. SEE TABLE

REPAIRABLE NON-REPAIRABLE

B

M-7679

3