

Industrial Grade Portable Outlet Boxes, Wire Mesh Grips & Coverplates

Portable Electrical Outlet Boxes from Leviton are the perfect solution for creating OSHA and NEC Compliant portable power pendants and stringers for temporary power applications.

Portable Outlet Boxes:

- Available in single-gang and two-gang sizes
- Extremely resistant to heat and harsh chemicals
- Feed-thru and pendant styles available

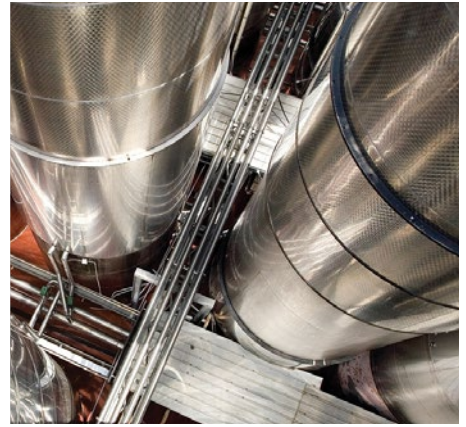
Wire Mesh Grips:

- Available in multiple cable diameter ranges
- Stainless steel construction provides increased durability
- Long neck body style for improved grip

Coverplates:

- Available in a variety of styles
- Provide superior impact resistance
- Flip-lid versions are rated NEMA Type 3R





DELIVER THE POWER YOU NEED, WHERE YOU NEED IT



Features



■ Available in pendant and feed-thru styles

■ Non-metallic construction provides protection against electrical shock

■ Molded TPV housing is extremely durable, even in harsh conditions

■ Variable adjust strain relief provides superior protection throughout entire range of cable diameters

■ Standard strain relief accepts a wide range of cable diameters

■ Available in black or high-visibility yellow

■ Coverplates are extremely durable and impact resistant, providing extended service life

■ A wide array of cover options is available, including standard coverplates and weather-resistant flip lid versions

■ Wire mesh grips available in multiple cable diameter ranges

■ Optional mounting holes provide a more secure fit

Ordering Information

Portable Outlet Boxes and Coverplates, Single-Gang



3059-1E



3059F-1E



3099F-1E



3099F-2E



SINGLE-GANG OUTLET BOXES							
Description	Cable Diameter	Color		Dimensions - see dimensional drawings			Box Volume
		Yellow	Black	Length (A)	Width (B)	Height (C)	
Standard Depth, Pendant Style	0.230" - 0.546"	3059-1Y ²	3059-1E ²	3.375"	3.900"	2.500"	16.7 cu in
Standard Depth, Feed-Thru Style	0.230" - 0.546"	3059F-1Y ²	3059F-1E ²	3.375"	3.900"	2.500"	16.7 cu in
Extra Deep, Pendant Style	0.230" - 0.546"	3099-1Y	3099-1E	4.375"	3.900"	2.500"	22.3 cu in
Extra Deep, Feed-Thru Style	0.230" - 0.546"	3099F-1Y	3099F-1E	4.375"	3.900"	2.500"	22.3 cu in
Extra Deep, Pendant Style	0.590" - 1.000"	3099-2Y	3099-2E	4.375"	3.900"	2.500"	22.3 cu in
Extra Deep, Feed-Thru Style	0.590" - 1.000"	3099F-2Y	3099F-2E	4.375"	3.900"	2.500"	22.3 cu in



3054-E



3051-E



3056-E



3060-E



3061-E



3052-E



3057-E



3055-E



3058-E



SINGLE-GANG COVERPLATES - STANDARD & WITH FLIP LIDS		
Description	Color	
	Yellow	Black
Blank Coverplate	3054-Y	3054-E
Duplex Receptacle Coverplate	3051-Y	3051-E
Duplex Receptacle Coverplate with Weather-Resistant Flip Lid*	3056-Y	3056-E
GFCI /decora® Receptacle Coverplate	3060-Y	3060-E
GFCI /decora® Receptacle Coverplate with Weather-Resistant Flip Lid* ¹	3061-Y	3061-E
1.39" diameter Single Receptacle Coverplate (15A Straight Blade & Locking/20A Straight Blade Receptacles)	3052-Y	3052-E
1.39" diameter Single Receptacle Coverplate with Weather-Resistant Flip Lid*	3057-Y	3057-E
1.56" diameter Single Receptacle Coverplate (20A & 30A Locking Receptacles)	3055-Y	3055-E
1.56" diameter Single Receptacle Coverplate with Weather-Resistant Flip Lid*	3058-Y	3058-E

* NEMA Type 3R Rated

¹Tamper Resistant GFCI devices not compatible ²GFCI devices not compatible (must use extra deep version)

Ordering Information

Portable Outlet Boxes and Coverplates, Two-Gang



3200-2Y



3300-2Y



3200F-2Y



TWO-GANG OUTLET BOXES								
Description	Cable Diameter	Color		Dimensions - see dimensional drawings				Box Volume
		Yellow	Black	Length (A)	Width (B)	Depth1 (C)	Depth2 (D)	
Standard Depth, Pendant Style	0.590" - 1.000" ³	3200-2Y	3200-2E	5.100"	5.655"	4.655"	—	75.7 cu in
Standard Depth, Feed-Thru Style	0.590" - 1.000" ³	3200F-2Y	3200F-2E	5.100"	5.655"	4.655"	—	75.7 cu in
Angled Depth, Pendant Style	0.590" - 1.000" ³	3300-2Y	3300-2E	4.300"	5.655"	4.655"	3.200"	53.1 cu in



3265-Y



3260-Y



3260W-Y



3251-Y



3251W-Y



3241-Y



3241W-Y



3262-Y



3262W-Y



3261-Y



3261W-Y



3263-Y



3263W-Y



TWO-GANG COVERPLATES - STANDARD & WITH FLIP LIDS		
Description	Color	
	Yellow	Black
Blank Coverplate	3265-Y	3265-E
2 - Duplex Receptacle Coverplate	3260-Y	3260-E
2 - Duplex Receptacle Coverplate with Weather-Resistant Flip Lid*	3260W-Y	3260W-E
2 - GFCI /decora® Receptacle Coverplate	3251-Y	3251-E
2 - GFCI /decora® Receptacle Coverplate with Weather-Resistant Flip Lid* ¹	3251W-Y	3251W-E
1 - GFCI /decora® Receptacle, 1-Blank Coverplate	3241-Y	3241-E
1 - GFCI /decora® Receptacle with Weather-Resistant Flip Lid, 1 - Blank Coverplate* ¹	3241W-Y	3241W-E
1 - 1.56" dia Single Receptacle, 1 - Duplex Receptacle Coverplate	3262-Y	3262-E
1 - 1.56" dia Single Receptacle with Weather-Resistant Flip Lid, 1 - Duplex Receptacle Coverplate with Weather-Resistant Flip Lid*	3262W-Y	3262W-E
1 - 1.56" dia Single Receptacle, 1 - Blank Coverplate	3261-Y	3261-E
1 - 1.56" dia Single Receptacle with Weather-Resistant Flip Lid, 1 - Blank Coverplate *	3261W-Y	3261W-E
2 - 1.56" dia Single Receptacle Coverplate	3263-Y	3263-E
2 - 1.56" dia Single Receptacle Coverplate with Weather-Resistant Flip Lid*	3263W-Y	3263W-E

* NEMA Type 3R Rated

¹Tamper Resistant GFCI devices may not be compatible - consult factory for details. ³For cable diameters smaller than .590", consult factory for options.

Ordering Information

Wire Mesh Strain Relief Grip



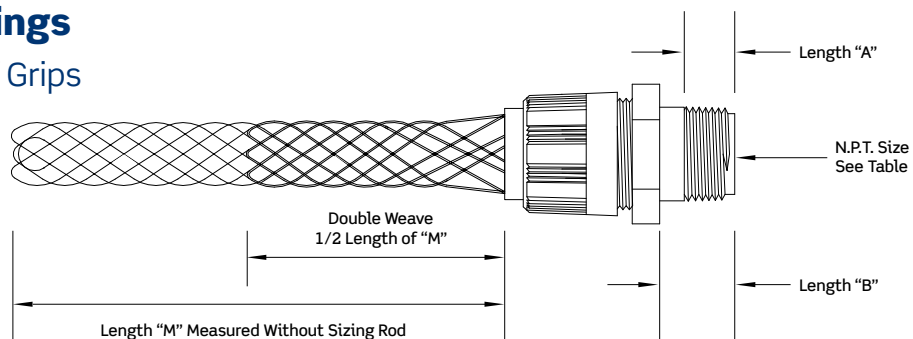
WIRE MESH STRAIN RELIEF GRIP - FOR USE WITH 3099-1 & 3059-1							
Description	Catalog No.	Cable Range	Length "M"	N.P.T. Fitting Size	Form Size	Length "A"	Length "B"
Stainless Steel Wire Mesh Strain Relief Grip	L7278	0.31 - 0.38" / 7.9 - 9.5mm	4.5" ± 0.5 / 114.3mm ± 12.7	1/2"	2"	0.5" / 12.7mm	0.75" / 19.1mm
	L7279	0.38 - 0.44" / 9.5 - 11.1mm	5.5" ± 0.5 / 139.7mm ± 12.7				
	L7280	0.44 - 0.50" / 11.1 - 12.7mm	6.5" ± 0.5 / 165.1mm ± 12.7				
	L7281	0.50 - 0.56" / 12.7 - 14.3mm	6.75" ± 0.5 / 171.5mm ± 12.7				
	L7282	0.56 - 0.63" / 14.3 - 15.9mm	6.75" ± 0.5 / 171.5mm ± 12.7				



WIRE MESH STRAIN RELIEF GRIP - FOR USE WITH 3099-2, 3059-2 & 3200-2							
Description	Catalog No.	Cable Range	Length "M"	N.P.T. Fitting Size	Form Size	Length "A"	Length "B"
Stainless Steel Wire Mesh Strain Relief Grip	L7283	0.56 - 0.69" / 14.3 - 17.5mm	9.0" ± 1.0 / 228.6mm ± 25.4	1"	4"	0.66" / 16.8mm	1.03" / 26.2mm
	L7284	0.63 - 0.75" / 15.9 - 19.1mm	9.5" ± 1.0 / 241.3mm ± 25.4				
	L7285	0.75 - 0.88" / 19.1 - 22.2mm	9.5" ± 1.0 / 241.3mm ± 25.4				
	L7286	0.81 - 0.94" / 20.6 - 23.8mm	8.75" ± 1.0 / 222.3mm ± 25.4				
	L7287	0.88 - 1.0" / 22.2 - 25.4mm	8.75" ± 1.0 / 222.3mm ± 25.4				

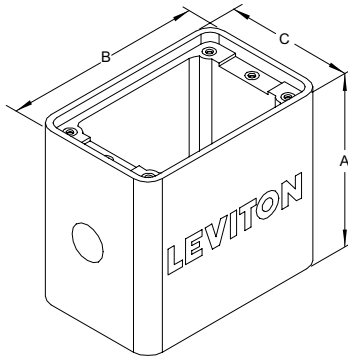
Dimensional Drawings

Wire Mesh Strain Relief Grips

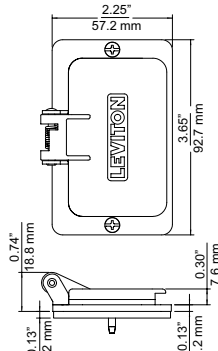


Note: All portable outlet boxes include a standard strain relief.

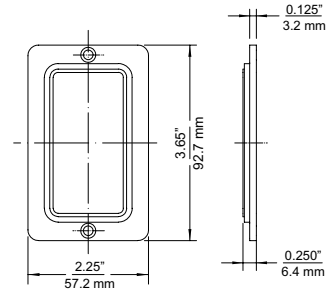
Single-Gang



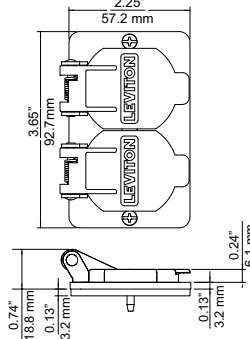
SINGLE-GANG BOX



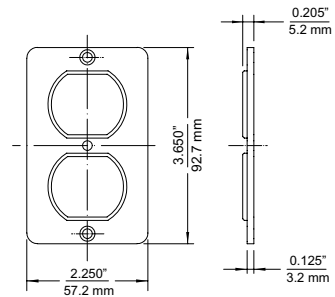
SINGLE-GANG GFCI /DECORA COVERPLATE WITH FLIP LID TYPICAL



SINGLE-GANG GFCI /DECORA COVERPLATE TYPICAL

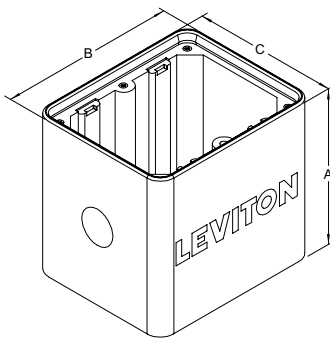


SINGLE-GANG DUPLEX COVERPLATE WITH FLIP-LID TYPICAL

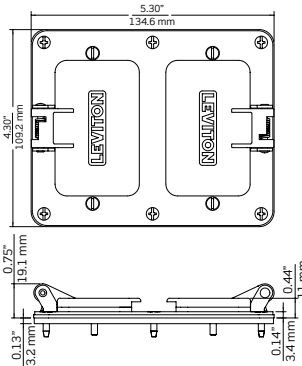


SINGLE-GANG DUPLEX COVERPLATE TYPICAL

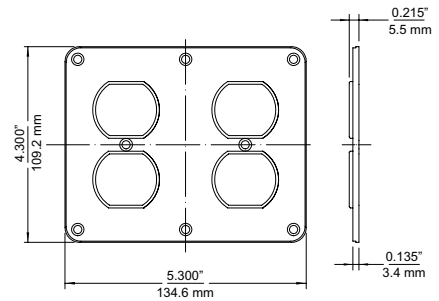
Two-Gang



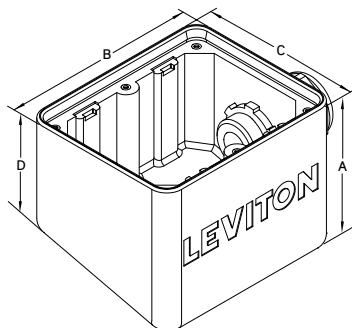
TWO-GANG BOX



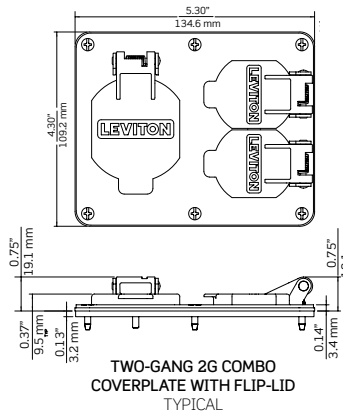
TWO-GANG DECORA GFCI /DECORA COVERPLATE WITH FLIP-LID TYPICAL



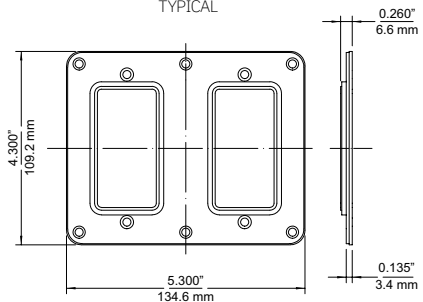
TWO-GANG DUPLEX COVERPLATE TYPICAL



ANGLE BOX

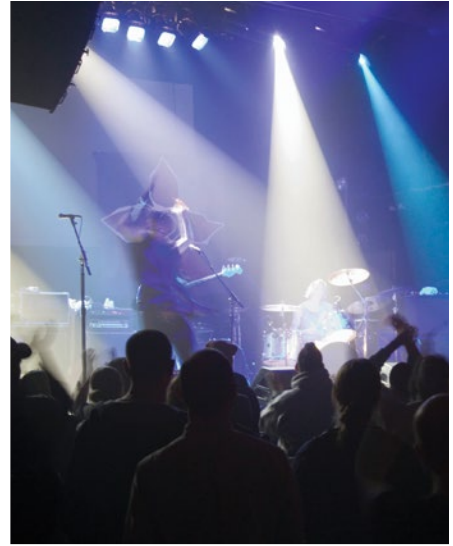


TWO-GANG 2G COMBO COVERPLATE WITH FLIP-LID TYPICAL



TWO-GANG /DECORA GFCI COVERPLATE TYPICAL

Perfect for Every Temporary Power Application...



Leviton Manufacturing Co., Inc.
 201 North Service Road, Melville, NY 11747
 P: 1-800-323-8920 • F: 1-800-832-9538
 Tech Line (8:30AM-7:00PM ET Mon-Fri):
 1-800-824-3005

Leviton Manufacturing of Canada, Ltd.
 165 Hymus Boulevard, Pointe Claire,
 Quebec H9R 1E9
 P: 1-800-469-7890 • F: 1-800-563-1853

Leviton S. de R.L. de C.V.
 Lago Tana 43, Mexico DF, Mexico CP 11290
 P: (+52) 55-5082-1040 • www.leviton.com.mx

Leviton Middle East
 J/Alf Free Zone, View 19 7th Floor, Office 701
 PO Box 262742 Dubai, UAE
 P: +971 4 886 4722 • F: +971 4 886 4723



Visit our website at: www.leviton.com/industrial email: industrial@leviton.com