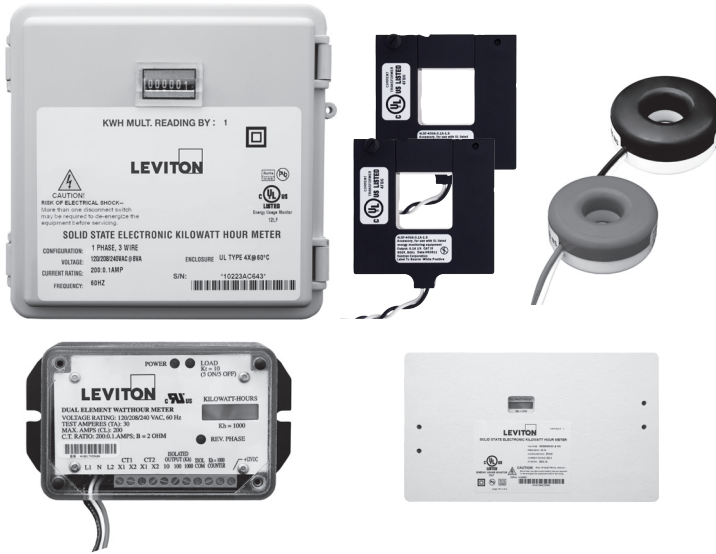


# Mini Meter Kits

## Submetering Solutions for Accurate Measurement & Verification



- kWh Meter
- 120V 1PH 2W and 120/208/240V 1PH 3W
- 100-200 Amps
- Pulse Output - standard feature
- Kit includes submeter, specified enclosure and required Current Transformers (CTs)

### DEFINITION

The Leviton Mini Meter line of revenue-grade meters meets all measurement and verification-based opportunities - including load management and LEED rating achievement. Designed to provide a simple and effective process for accurately capturing measurements of power consumption, Mini Meters are easy to specify and install for new construction and retrofits.

- Multi-tenant residential applications
- 1- or 2-Phase Applications
- Revenue grade accuracy
- Compact footprint; fits almost anywhere
- Cost effective solution
- Isolated pulse output channel for AMR compatibility

Leviton meters utilize highly accurate current transformers for revenue-grade performance certified to ANSI standards. Competing products use current sensors that do not provide the same level of performance. Leviton offers CTs in solid and split core styles to accommodate all phases of installation and construction. Solid core CTs are ideal for new construction, when power is not

live and wires can easily be threaded through the core. Split core CTs can be installed at any time without having to disconnect wire terminations, making them the optimal choice for retrofitting an existing structure. Split core CTs close securely for fast, precise installation with no need for time-consuming tie wraps and no worries about improper seating or core half separation. Both solid and split core CTs offer high quality, long term accuracy and reliability.

Every Mini Meter has an installer-friendly feedback feature. The red reverse phase indicator acts as an installation diagnostics tool and illuminates if a meter is improperly installed. After installation, the green duty cycle light shows that the meter is collecting electric consumption data at the appropriate rate. All 100 and 200 Amp solid core CTs have color-coded labels to easily identify and correctly land the wires at the meter.

## PRODUCT DATA

### APPLICATIONS

Use Mini Meters in multi-tenant residential and certain commercial industrial applications for:

- Load profiling and benchmarking
- AMR/BAS/BMS/EMS integration
- Usage aggregation
- Tenant cost allocation
- Measurement and verification
- Energy conservation and cost reduction
- Green building initiatives and Government mandates

### FEATURES

- Measures kWh
- Revenue-Grade: Conforms to all applicable standards of ANSI C12.1
- Equipped standard with an Isolated Pulse Output channel for automated meter reading
- Available in indoor flush mount enclosure
- Available in NEMA 4X indoor/outdoor enclosure packages and Multiple Meter Units (MMUs) from 2-19 meters
- Utilizes revenue-grade 0.3% accuracy class 0.1A secondary solid core current transformers (CTs) that conform to all applicable ANSI requirements or 1.0% accuracy split-core CTs
- Up to three sets of CTs per phase can be paralleled per meter without the need for a meter multiplier
- CT lead length maximum: 48"
- "6" models UL/cUL Listed Energy Usage Monitor per CCN FTRZ; "7" models UL/cUL Recognized Energy Usage Monitoring Equipment
- Ten year warranty

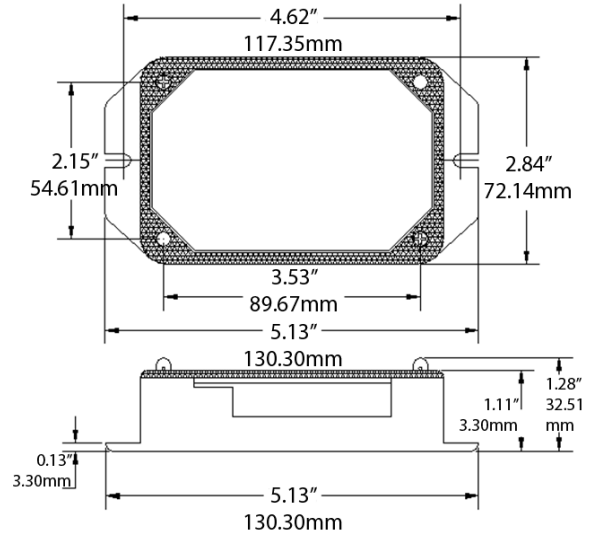
### CONFIGURATIONS\*

| AMPERAGES    | PHASE/VOLTAGES       |
|--------------|----------------------|
| 100 and 200A | 1Ø/2W - 120V         |
| 100 and 200A | 1Ø/3W - 120/208/240V |

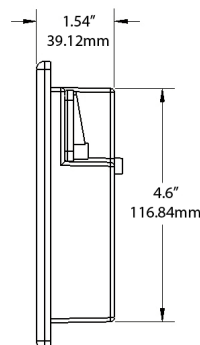
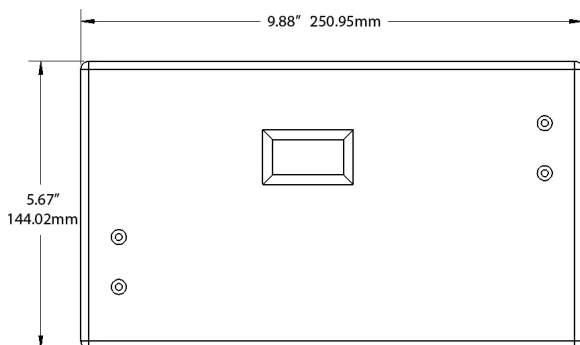
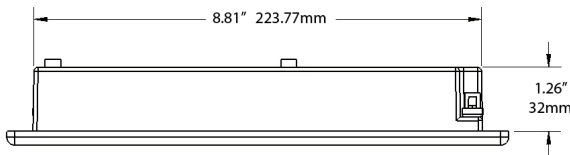
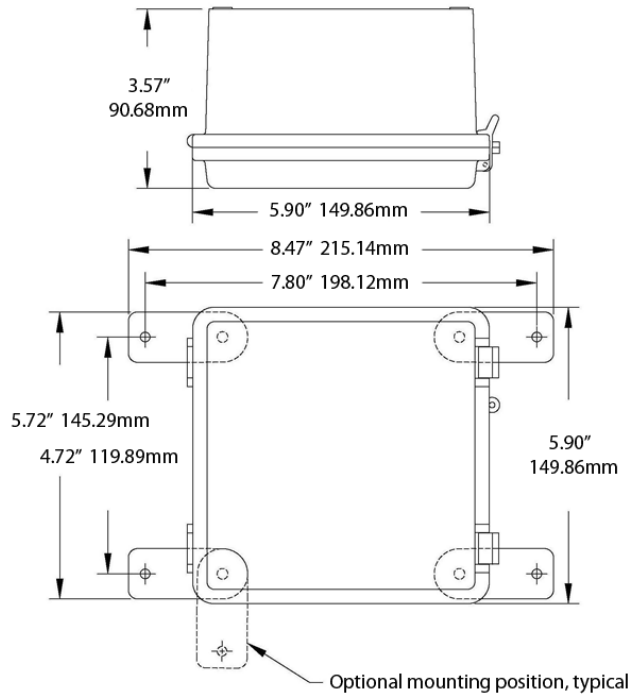
\* Contact factory for non-US voltage configurations.

### DIMENSIONS

#### INDOOR ENCLOSURE

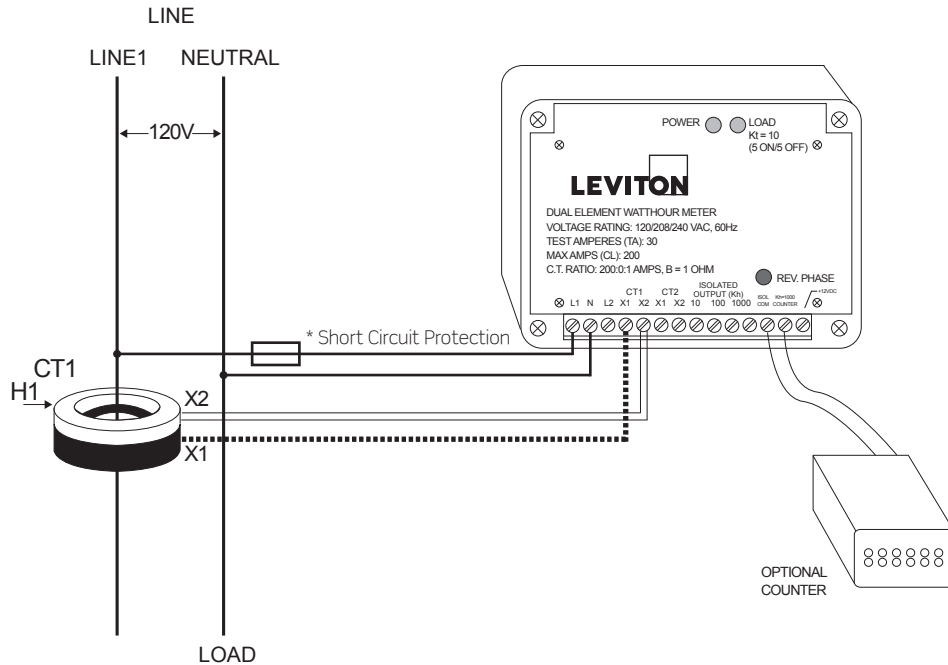


#### OUTDOOR ENCLOSURE

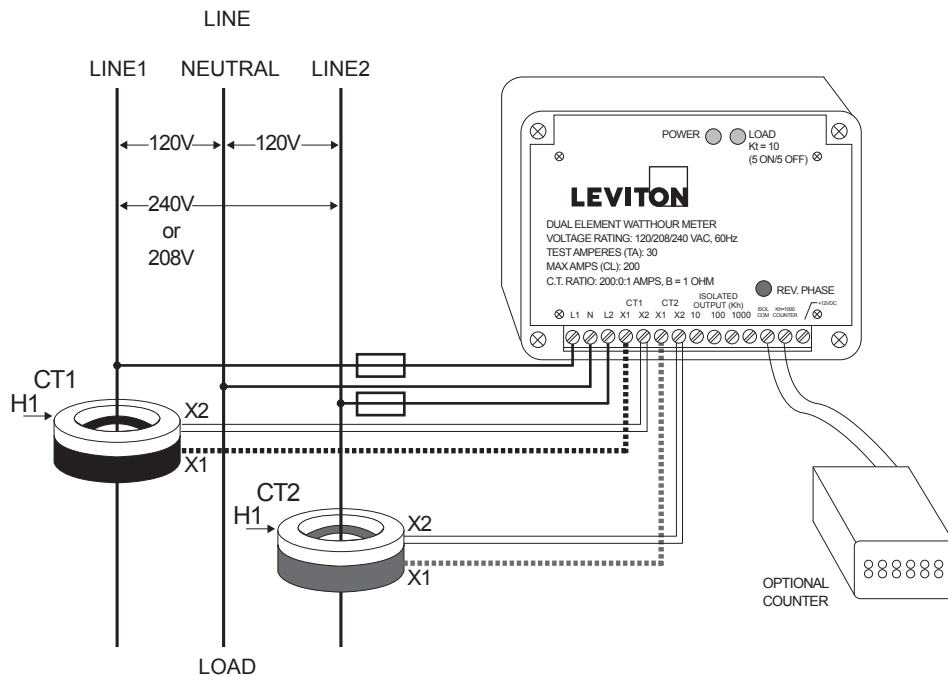


#### FLUSH MOUNT ENCLOSURE

**SINGLE ELEMENT, MINI METER HOOKUP DIAGRAM**



**DUAL ELEMENT, MINI METER HOOKUP DIAGRAM**



Leviton recommends solid core transformers (CTs) for revenue-grade accuracy. Our 100A and 200A color coded CTs assist with correct installation by indicating phase monitored. Split core CTs are also available upon request for applications where power cannot be interrupted during installation. Our 100-5,000 Amp Split Core CTs offer +/-1.0% accuracy.

\*Short circuit protection per NEC and local codes by others

**Leviton Mfg. Co., Inc. Lighting & Energy Solutions**

20497 SW Teton Avenue, Portland, OR 97062 1-800-736-6682 Tech Line: 1-800-959-6004 Fax: 503-404-5594 www.leviton.com/les  
 © 2012 Leviton Manufacturing Co., Inc. All rights reserved. Subject to change without notice.

# PRODUCT DATA



## ORDERING INFORMATION

### Mini Meter Kits - Indoor Enclosure

**NOTE:** All kits include meter, specified enclosure and Current Transformers (CTs)

| Voltage   | Amps | CTs Included | Leviton P/N |
|---|------|--------------|-------------|
| 120/208V 1PH 3W or<br>120/240V 1PH 3W (Split Phase) | 100A | 2 SOLID CTs  | MK240-1SW   |
|   | 200A | 2 SOLID CTs  | MK240-2SW   |

**The following products are also part of the Leviton line of integrated metering solutions:**

Series 1000 Meters  
Series 2000 Meters  
Series 3000 Smart Meters  
Multiple Meter Units (MMUs)  
Current Transformers (CTs)  
Energy Manager Monitoring Software

### MINI METER KITS - OUTDOOR ENCLOSURE

| Voltage   | Amps | CTs Included | Leviton P/N |
|---|------|--------------|-------------|
| 120/208V 2PH 3W or<br>120/240V 1PH 3W (Split Phase) | 100A | 2 SOLID CTs  | MO240-1SW   |
|   | 200A | 2 SOLID CTs  | MO240-2SW   |
| 120/208V 2PH 3W or<br>120/240V 1PH 3W (Split Phase) | 100A | 2 Split CTs  | MO240-01W   |
|   | 200A | 2 Split CTs  | MO240-02W   |

### Mini Meters - Singles

**NOTE:** The following meters are sold as individual components. Current transformers (CTs) sold separately. Individual Current Transformers (CTs) are also available; see the Current Transformer data sheet documentation for part numbers and additional information.

| Voltage   | Amps | Description                           | Leviton P/N |
|---|------|---------------------------------------|-------------|
| <b>INDOOR FLUSH MOUNT SINGLE ELEMENT MINI METER</b> |      |                                       |             |
| 120V<br>1PH 2W                                      | 100A | 1.0 kWh Self-Contained<br>LCD Counter | 6F101-C01   |
|   | 200A |                                       | 6F101-C02   |
| <b>INDOOR FLUSH MOUNT DUAL ELEMENT MINI METER</b>   |      |                                       |             |
| 120/240V<br>1PH 3W                                  | 100A | 1.0 kWh Self-Contained<br>LCD Counter | 6F201-C01   |
|   | 200A |                                       | 6F201-C02   |
| <b>OUTDOOR SINGLE ELEMENT MINI METER</b>            |      |                                       |             |
| 120V<br>1PH 2W                                      | 100A | Mechanical 1 kWh<br>Counter           | 6S101-B01   |
|   | 200A |                                       | 6S101-B02   |
|   | 100A | Mechanical 1/10 kWh<br>Counter        | 6S101-D01   |
|   | 200A |                                       | 6S101-D02   |
| <b>OUTDOOR DUAL ELEMENT MINI METER</b>              |      |                                       |             |
| 120/240V<br>1PH 3W                                  | 100A | Mechanical 1 kWh<br>Counter           | 6S201-B01   |
|   | 200A |                                       | 6S201-B02   |
|   | 100A | Mechanical 1/10 kWh<br>Counter        | 6S201-D01   |
|   | 200A |                                       | 6S201-D02   |

| Voltage                                     | Amps | Description                           | Leviton P/N |
|---|------|---------------------------------------|-------------|
| <b>OEM MODULE SINGLE ELEMENT MINI METER</b> |      |                                       |             |
| 120V<br>1PH 2W                              | 100A | 1.0 kWh Counter Output                | 7B101-H01   |
|   | 100A | 1.0 kWh Self-Contained<br>LCD Counter | 7B101-S01   |
|   | 100A | 0.1 kWh Counter Output                | 7B101-T01   |
|   | 200A | 1.0 kWh Counter Output                | 7B101-H02   |
|   | 200A | 1.0 kWh Self-Contained<br>LCD Counter | 7B101-S02   |
|   | 200A | 0.1 kWh Counter Output                | 7B101-T02   |
| <b>OEM MODULE DUAL ELEMENT MINI METER</b>   |      |                                       |             |
| 120/240V<br>1PH 3W                          | 100A | 1.0 kWh Counter Output                | 7B201-H01   |
|   | 100A | 1.0 kWh Self-Contained<br>LCD Counter | 7B201-S01   |
|   | 100A | 0.1 kWh Counter Output                | 7B201-T01   |
|   | 200A | 1.0 kWh Counter Output                | 7B201-H02   |
|   | 200A | 1.0 kWh Self-Contained<br>LCD Counter | 7B201-S02   |
|   | 200A | 0.1 kWh Counter Output                | 7B201-T02   |

Mini Meter Kits

### LEVITON SPECIFICATION SUBMITTAL

|             |                  |
|-------------|------------------|
| JOB NAME:   | CATALOG NUMBERS: |
| JOB NUMBER: |                  |

### Leviton Manufacturing Co., Inc. Lighting & Energy Solutions

20497 SW Teton Avenue, Tualatin, OR 97062  
Telephone: 1-800-736-6682 • FAX: 503-404-5594 • Tech Line (6:00AM-4:00PM P.S.T. Monday-Friday): 1-800-959-6004

### Leviton Manufacturing of Canada, Ltd.

165 Hymus Boulevard, Pointe Claire, Quebec H9R 1E9 • Telephone: 1-800-469-7890 • FAX: 1-800-563-1853

### Leviton S. de R.L. de C.V.

Lago Tana 43, Mexico DF, Mexico CP 11290 • Tel. (+52) 55-5082-1040 • FAX: (+52) 5386-1797 • www.leviton.com.mx

Visit our Website at: [www.leviton.com/les](http://www.leviton.com/les)

© 2012 Leviton Manufacturing Co., Inc. All rights reserved. Subject to change without notice.

G-8756/C12-tb