

# 1000W Dimmer with Wi-Fi Technology

## decora smart™



### APPLICATION

Control connected loads and lights from anywhere using Wi-Fi, an internet connection and the free My Leviton app; that is all you need, no hub required. Simplify control of the residence - schedule lights and connected loads to turn on/off at specific times or based on sunrise/sunset, easily group smart devices into rooms, and create scenes to activate multiple lights at once. Customize your experience with adjustable fade rates, maximum/minimum illumination levels, and more if desired. Integrate with IFTTT, utilize auto-shutoff feature as a countdown timer in closets, hallways and bathrooms; plus engage home vs. away to enact randomization of lighting control, providing a lived-in appearance.

Supports dimmable LED and CFL technologies up to 450 Watts along with support for legacy incandescent lighting loads up to 1000 Watts.

### AMAZON ALEXA VOICE CONTROL

Compatible with all products that support Amazon Alexa providing voice control of the load: "Alexa, dim living room lights to 25%". Alexa devices (including Echo, Dot, and Tap) sold separately.

### GOOGLE ASSISTANT VOICE CONTROL

"Ok Google, turn [My Leviton device name] On". Works with the Google Assistant. Google Home is a voice enabled speaker powered by the Google Assistant. Easily control smart devices around the home. (Google Assistant devices sold separately).

### LOW-WATTAGE LED SUPPORT

New lighting control accessories are engineered to function with extremely sensitive, low-wattage light sources, such as a single LED bulb in a hallway or a strand of holiday lights, ensuring LEDs do not glow when off.

### AESTHETICS

Dimmers leverage the popular Decora form factor and styling, along with compatible accessories including three-way devices, color change kits, and wallplates. Dimmers feature true rocker action, pressing the top to turn on and the bottom to turn off. Additionally, the dim/brighten bar is conveniently located along the right side of the paddle, ensuring ease of use. Vanishing LEDs on the left side of the paddle show current and target light level with real-time feedback. To meet any decor, color change kits are available in white, ivory, light almond, gray, black, and brown for the most professional and cleanest installation. Pair the device with an optional Leviton screwless wallplate.

### BENEFITS

- Control your lights from anywhere using the free My Leviton app for iOS and Android, no hub required.
- Amazon Alexa products provide voice control: "Alexa, turn on living room lights". (Echo, Tap, and Dot sold separately).
- Works with Google Assistant including Google Home for voice control. "Ok Google, set [My Leviton device name] to [1-100]%"
- Integrate with IFTTT for additional third-party functionality
- Simplify control of your home - schedule lights and connected loads to turn on/off at specific times or based on sunrise/sunset, easily group your smart devices into rooms, and create scenes to activate multiple lights at once.

1000W Dimmer with Wi-Fi Technology

### Leviton Manufacturing Co., Inc. Global Headquarters

201 N. Service Rd. Melville, NY 11747-3138 Tech Line: 1-800-824-3005 Fax: 1-800-832-9538

### Leviton Manufacturing Co., Inc. Energy Management, Controls and Automation.

4330 Michoud Blvd., New Orleans, LA, 70129 Tel: 1-504-736-9810 Fax: 1-504-253-2954

Visit our Website at: [www.leviton.com/decorasmart](http://www.leviton.com/decorasmart)

©2017 Leviton Manufacturing Co., Inc. All rights reserved. Subject to change without notice.

**FEATURES**

- White and Light Almond color faces included
- Rated for dimmable CFL and LED loads up to 450W
- Rated for incandescent loads up to 1000W
- Rated for fluorescent ballast loads up to 1000VA
- Soft fade on/off
- On/off LED (bottom) and Brightness Level LED (left side)
- Multi-location (3-way) dimming is achieved using up to 4 remote units, DD00R-DLZ.

**RATINGS**

- Incandescent - 1000W - 120VAC, 60Hz
- LED/CFL - 450W - 120VAC, 60Hz
- Mark 10® - 1000VA - 120VAC, 60Hz

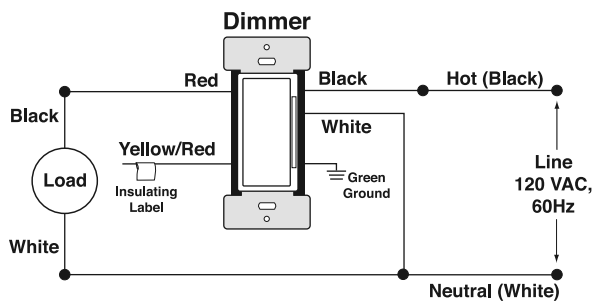
**WARRANTY INFORMATION**

Five-Year Limited Warranty

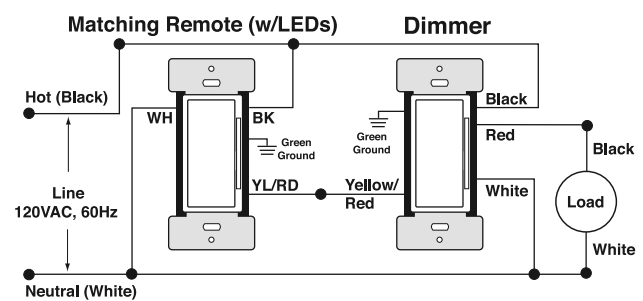
**AGENCY STANDARDS AND COMPLIANCE**

- Complies with UL 1472
- CSA Certified (File #003413)
- NOM-ANCE Certified
- Wi-Fi CERTIFIED™
- Complies with FCC Part 15, Class B

**SINGLE POLE WIRING DIAGRAM**



**THREE-WAY WIRING DIAGRAM**



**ORDERING INFORMATION**

DESCRIPTION	CAT. NO.
1000 Watt Dimmer with Wi-Fi Technology	DW1KD-1BZ
Matching Dimmer Remote	DD00R-DLZ

**Leviton Manufacturing Co., Inc. Global Headquarters**

201 N. Service Rd. Melville, NY 11747-3138 Tech Line: 1-800-824-3005 Fax: 1-800-832-9538

**Leviton Manufacturing Co., Inc. Energy Management, Controls and Automation.**

4330 Michoud Blvd., New Orleans, LA, 70129 Tel: 1-504-736-9810 Fax: 1-504-253-2954

Visit our Website at: [www.leviton.com/decorasmart](http://www.leviton.com/decorasmart)

©2017 Leviton Manufacturing Co., Inc. All rights reserved. Subject to change without notice.

SAT-10115  
REV JUL 2017