

ODCOP-D0W Low Voltage 0-10V Dimming Photocell



DESCRIPTION

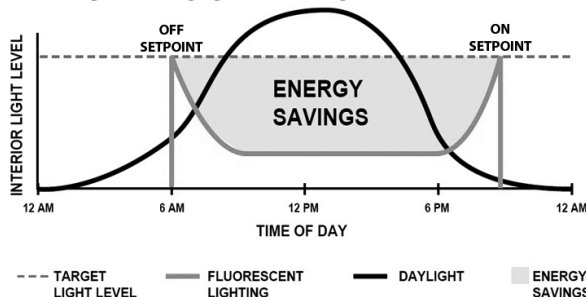
The Leviton ODCOP-D0W is an interior low voltage photocell capable of continually dimming between 0-10VDC based on the amount of natural light contribution. It is a low-power, high-sensitivity mini-daylight harvesting system for precise monitoring of either task or ambient light levels. The ODCOP-D0W's digital onboard microprocessor adjusts light levels by mimicking the spectral response of the human eye for single zone dimming. The ODCOP-D0W uses patented Daylighting Design Level (DDL) technology for precise load dimming that maintains desired light level.

Ideal for existing retrofits and daylight harvesting applications, the ODCOP-D0W can be used with 0-10V sinking loads types and is a cost-effective solution when paired with dimming drivers/ballasts.

OPERATION

The ODCOP-D0W must be hard wired to a compatible Leviton 24VDC power supply to provide the photocell with power. The ODCOP-D0W measures ambient light in a space and dims fixtures to a targeted lighting level in that specific area. Connection to optional power pack provides true ON/OFF switching.

DAYLIGHT DESIGN LEVELS



FEATURES

- Dimmed lighting at a desired daylight design level offers greater energy savings and comfort and improved energy efficiency
- Leviton-exclusive, patented Auto-Calibration™ eliminates the need for configuring labor costs during daylight harvesting configuration
- Industry-exclusive fail-safe circuitry: in the event of product failure, return-to-closed feature causes the relay to default to ON which eliminates life safety concerns
- Fade rate time setting 3-30 minutes
- Controls 0-10V sinking ballast
- No additional power supply required for 0-10V sinking operation
- Dim to OFF—over DDL for 30 seconds then lights OFF
- Test Mode—30 second fade rate for 15 minutes then auto exit
- Provides ultra-convenient, hands-free lighting control
- Measures light from any source in the visible spectrum within a 60° cone at 8-12' mounting height
- Provides continual measurements to control the lighting
- Mounts on ceiling—surface mount or low-profile flush mount
- LED status indicators for ease of installation
- Meets energy code requirements for IECC, ASHRAE 90.1 and Title 24

ODCOP-D0W Low Voltage 0-10V Dimming Photocell

Leviton Manufacturing Co., Inc. Global Headquarters

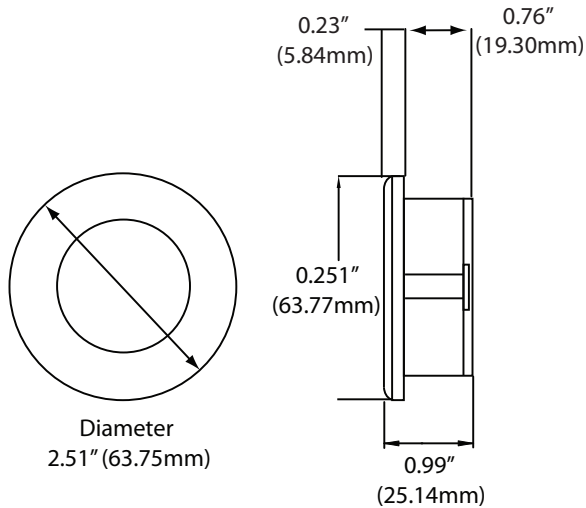
201 North Service Road, Melville, NY 11747-3138 tech line 800-824-3005 fax 800-832-9538

©2017 Leviton Manufacturing Co., Inc. All rights reserved. Subject to change without notice.

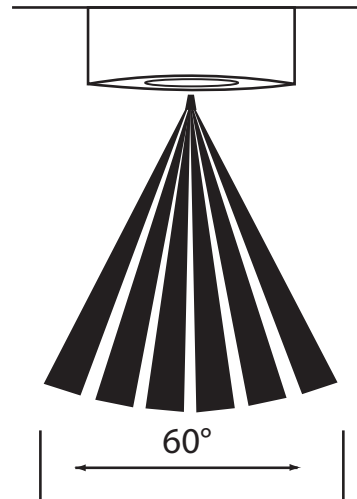


PRODUCT DATA

DIMENSIONS



FIELD OF VIEW



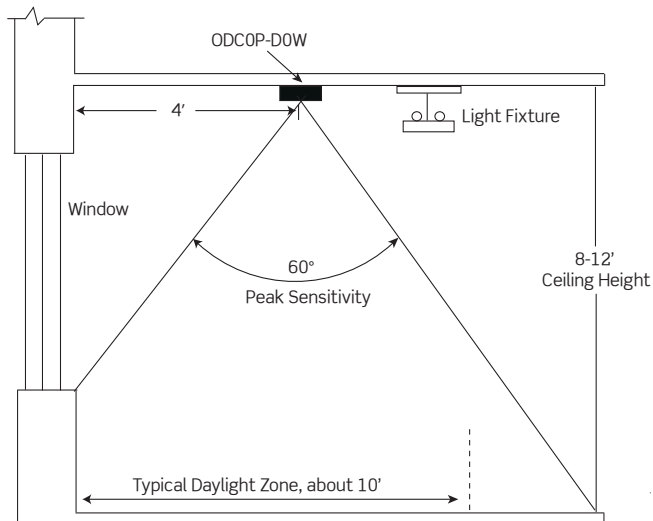
INSTALLATION - Low Voltage Class 2 Wiring

- Connects directly to an OPP20 Series Power Pack (OPP20-RD3 or OPP20-RD4) and 0-10V dimming ballasts
- May be installed directly above workspace
- Use with standard Class 2 wiring

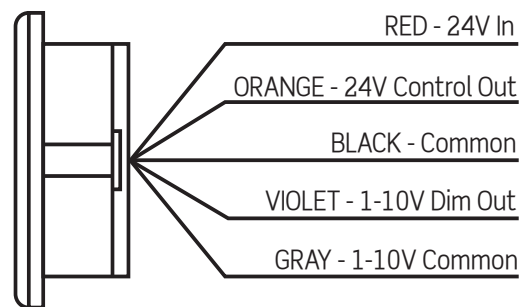
OPERATION

- Measured light level < Target Level
Action: Lights level increases
- Measured light level > Target Level
Action: Lights level decreases
- Control output state (Orange wire):
 - Photocell not calibrated, factory default state: lights ON, output is 0V
 - Photocell calibrated, light needed state: lights ON, output is 0V
 - Photocell calibrated, light NOT needed state: lights OFF, output is 12-24V

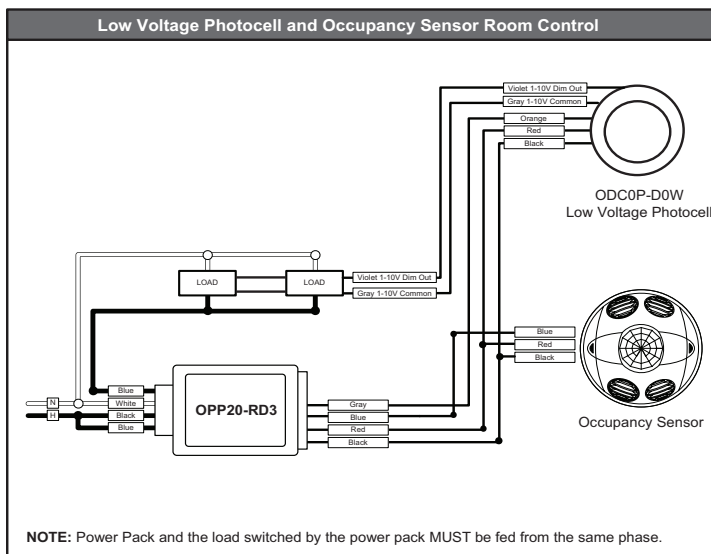
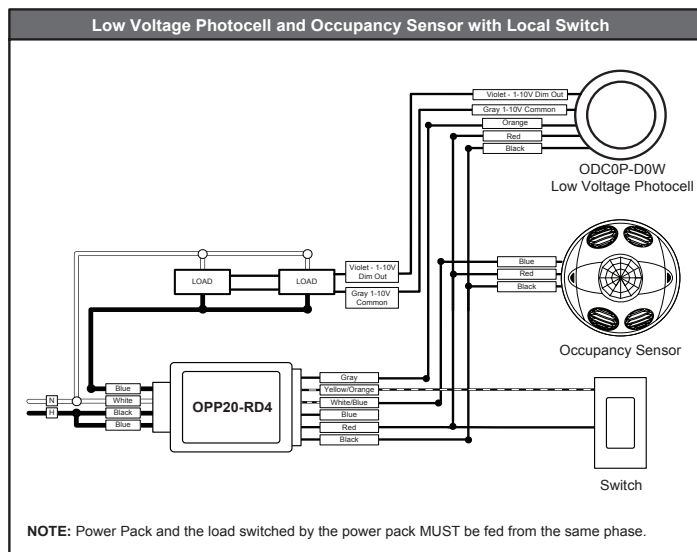
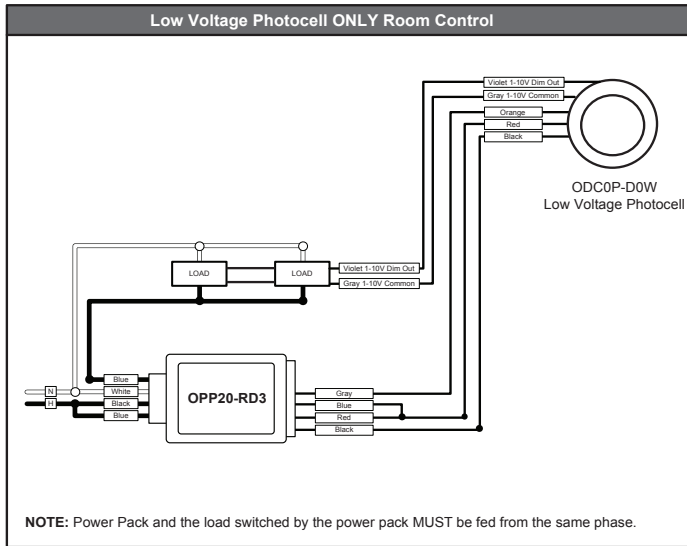
LOW VOLTAGE PHOTOCELL PLACEMENT Closed Loop Application



WIRING DIAGRAM



WIRING DIAGRAMS



ODC0P-D0W Low Voltage 0-10V Dimming Photocell

PRODUCT DATA



SPECIFICATIONS

ELECTRICAL	
Input Voltage	12-24VDC
Input Current	10mA
Output Current, Dimming Output	0.5-20mA
Operating Power Consumption	1W
Standby Power Consumption	<1/2W
Light Sensitivity	1-1,600 FC (10-16,000 LUX)
Output Voltage, Switching Output	Switched: 12 to 24VDC Dimming: 1-10V sinking
Testing/Code Compliance	Meets energy code requirements for IECC, ASHRAE 90.1, Title 24 and NYC LL48, UL 916 listed, FCC certified
PHYSICAL	
Diameter	2.51" (63.5mm)
Depth	0.99" (25.2mm)
Color	White
ENVIRONMENTAL	
Operating Temperature Range	32 to 131°F (0 to 55°C)
Storage Temperature Range	14 to 185°F (-10 to 85°C)
Relative Humidity	20-90% non-condensing
OTHER	
Warranty	Limited 5-year warranty

ORDERING INFORMATION

CAT. NO	DESCRIPTION
ODC0P-D0W	Low Voltage Photocell, 0-10VDC

ODC0P-D0W Low Voltage 0-10V Dimming Photocell

Leviton Manufacturing Co., Inc. Global Headquarters

201 North Service Road, Melville, NY 11747-3138 tel 800-323-8920 fax 800-832-9538 tech line (8:30AM-7:00PM ET Mon-Fri) 800-824-3005

Leviton Manufacturing Co., Inc. Energy Management, Controls and Automation

20497 SW Teton Avenue, Tualatin, OR 97062 tel 800-736-6682 fax 503-404-5594 tech line (6:00AM-4:00PM PT Mon-Fri) 800-959-6004

Visit our Website at: www.leviton.com/emca

©2017 Leviton Manufacturing Co., Inc. All rights reserved. Subject to change without notice.

G-9308B/E17-tb
REV MAY 2017