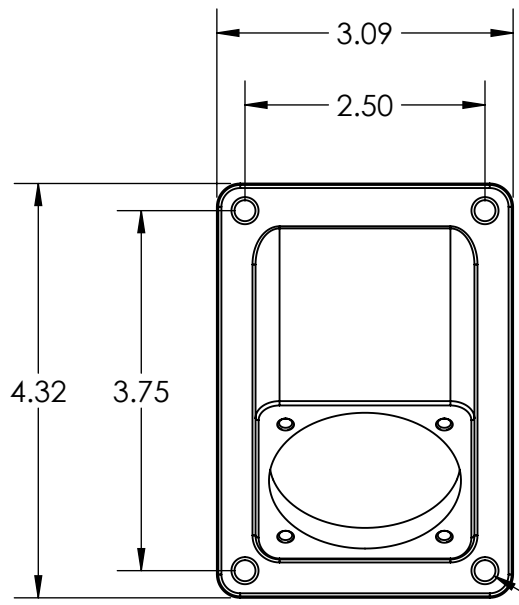
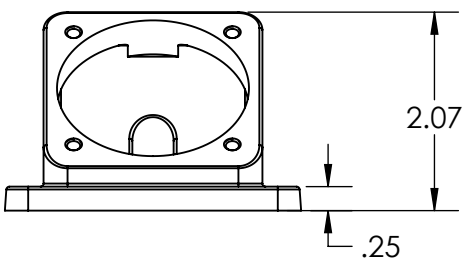
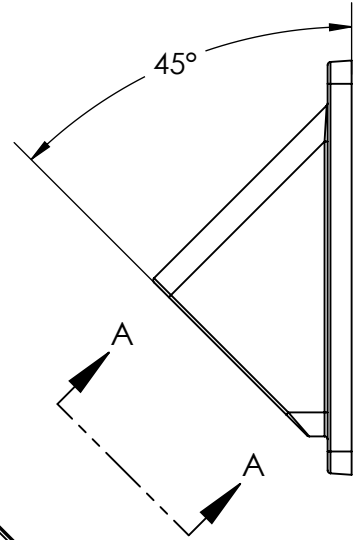
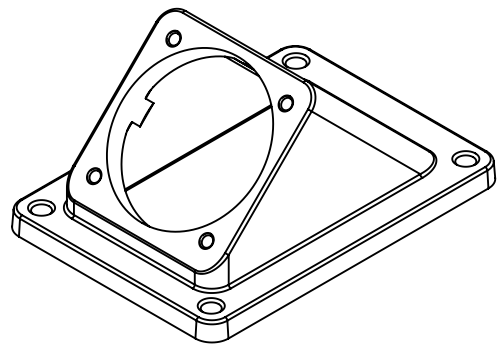


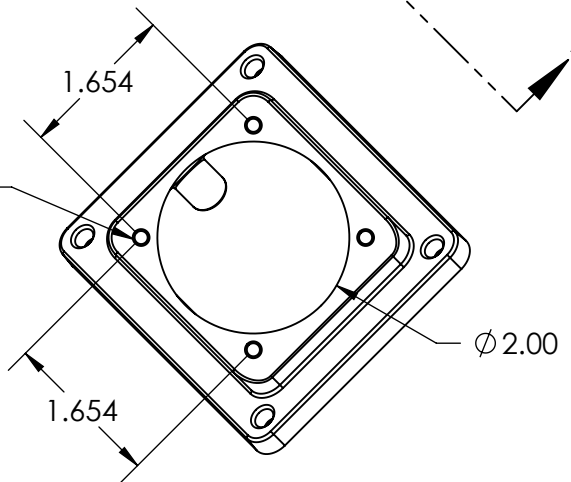
This drawing is the property of MELTRIC Corporation, Franklin (Milwaukee) Wisconsin, USA. Any unauthorized copying of this drawing by any means, ENG/RD/06 REV: 20 ISSUED DATE: 1/15/11 or disclosure of its contents to any person not authorized by MELTRIC Corporation or its agents to receive it, is strictly prohibited.



4X Ø.219



4X 8-32 THREADED HOLE



VIEW A-A

TOLERANCES UNLESS OTHERWISE SPECIFIED				DRAWING TITLE:		
MACHINED SURFACES $\sqrt{125}$ MAX	ENGLISH 0.X ±0.05 0.XX ±0.01 0.XXX ±0.005			DRAWN	APPROVED	PN 45° METAL ANGLE
GROUND SURFACES $\sqrt{32}$ MAX		DATE:	SCALE	MATERIAL:		
ANGLE TOLERANCE ±1° REMOVE BURRS & SHARP EDGES TO .015 MAX.		SHEET:	NTS	PAINTED METAL		
DIMENSIONS SHOWN IN OVALS ARE INSPECTION DIMENSIONS.	1 OF 1	PART NUMBER		REVISION		
		09-NA027				