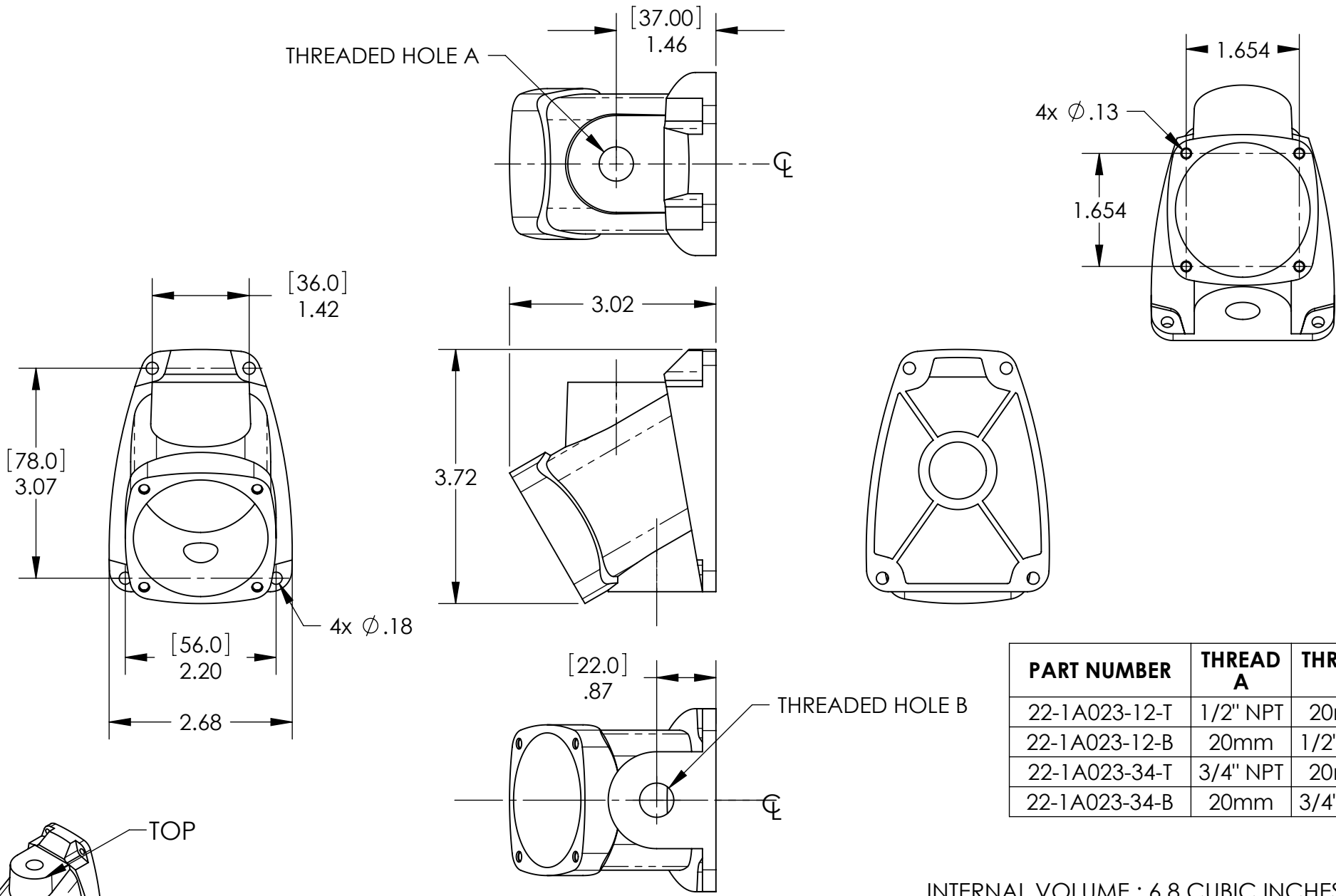
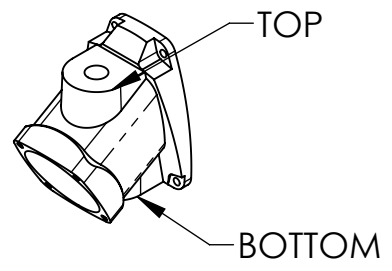


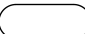
This drawing is the property of MELTRIC Corporation, Franklin (Milwaukee), Wisconsin, USA. Any unauthorized copying of this drawing by any means, ENG/RD/06 REV: 20 ISSUED DATE: 1/15/11 or disclosure of its contents to any person not authorized by MELTRIC Corporation or its agents to receive it, is strictly prohibited.




PART NUMBER	THREAD A	THREAD B
22-1A023-12-T	1/2" NPT	20mm
22-1A023-12-B	20mm	1/2" NPT
22-1A023-34-T	3/4" NPT	20mm
22-1A023-34-B	20mm	3/4" NPT

INTERNAL VOLUME : 6.8 CUBIC INCHES



TOLERANCES UNLESS OTHERWISE SPECIFIED		ENGLISH
MACHINED SURFACES	$\sqrt{125} \text{ MAX}$	
GROUND SURFACES	$\sqrt{32} \text{ MAX}$	
ANGLE TOLERANCE $\pm 1^\circ$		
REMOVE BURRS & SHARP EDGES TO .015 MAX.		
 DIMENSIONS SHOWN IN OVALS ARE INSPECTION DIMENSIONS.		
		0.X ± 0.05 0.XX ± 0.01 0.XXX ± 0.005

		DRAWING TITLE:	
DRAWN	APPROVED	DXN20 POLY 30° WALL BOX	
DATE:	SCALE	MATERIAL:	
	NTS	BLACK POLY	
SHEET:	PART NUMBER		REVISION
1 OF 1	22-1A023-xx		