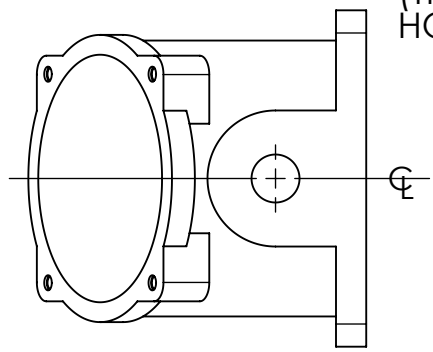
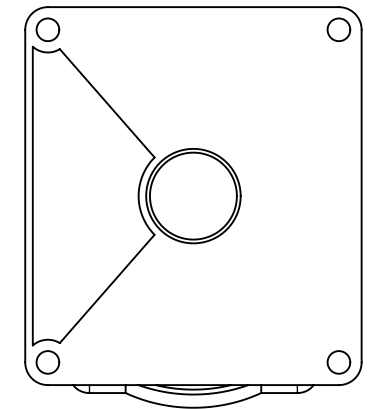
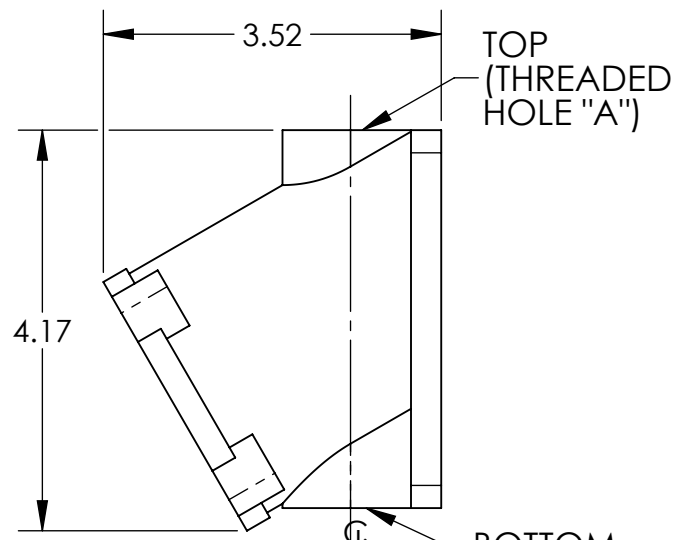
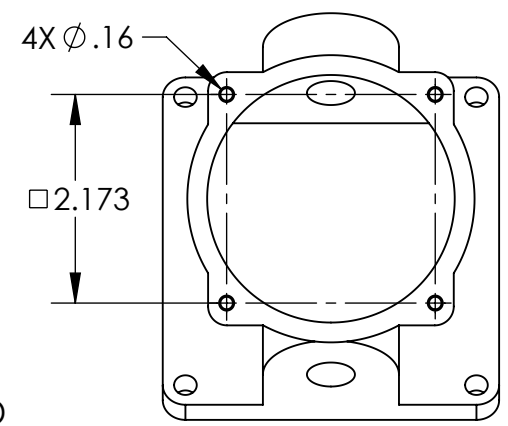
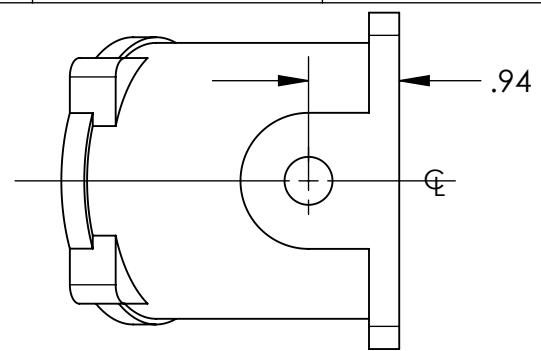
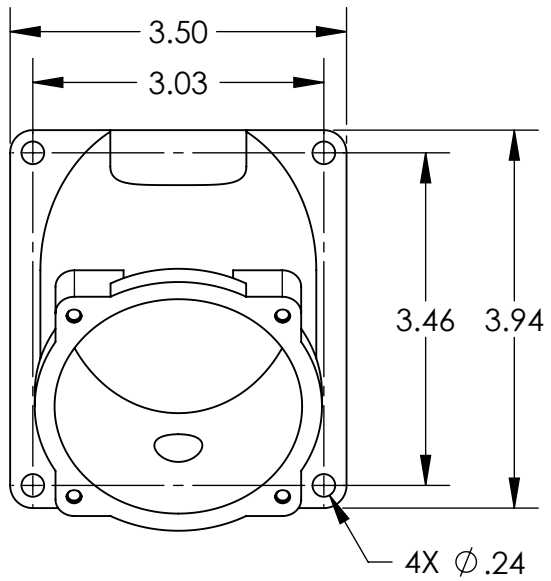


This drawing is the property of MELTRIC Corporation, Franklin (Milwaukee), Wisconsin, USA. Any unauthorized copying of this drawing by any means, ENG/RD/06 REV: 20 ISSUED DATE: 1/15/11 or disclosure of its contents to any person not authorized by MELTRIC Corporation or its agents to receive it, is strictly prohibited.



PART NUMBER	THREAD "A"	THREAD "B"
22-6A023-1-T	1" NPT	25mm
22-6A023-1-B	25mm	1" NPT

INTERNAL VOLUME : 14.8 CUBIC INCHES

TOLERANCES UNLESS OTHERWISE SPECIFIED				DRAWING TITLE:	
MACHINED SURFACES $\sqrt[125]{\text{MAX}}$	ENGLISH 0.X ±0.05 0.XX ±0.01 0.XXX ±0.005			DXN60 POLY 30° WALL BOX	
GROUND SURFACES $\sqrt[32]{\text{MAX}}$		DATE:	SCALE:	MATERIAL:	
ANGLE TOLERANCE ±1°			NTS	BLACK POLY	
REMOVE BURRS & SHARP EDGES TO .015 MAX.		SHEET:	PART NUMBER		
DIMENSIONS SHOWN IN OVALS ARE INSPECTION DIMENSIONS.		1 OF 1	22-6A023-1-x		
			REVISION		