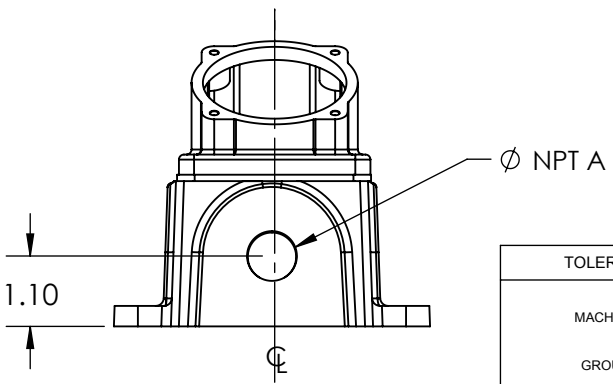
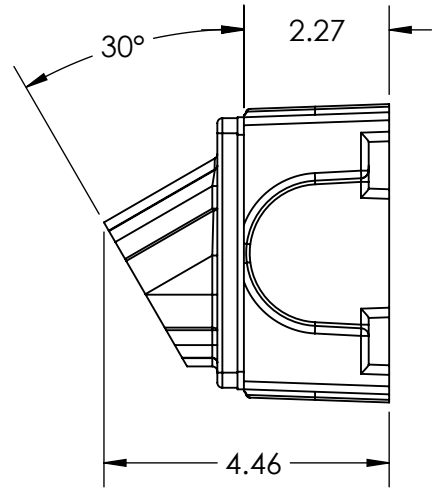
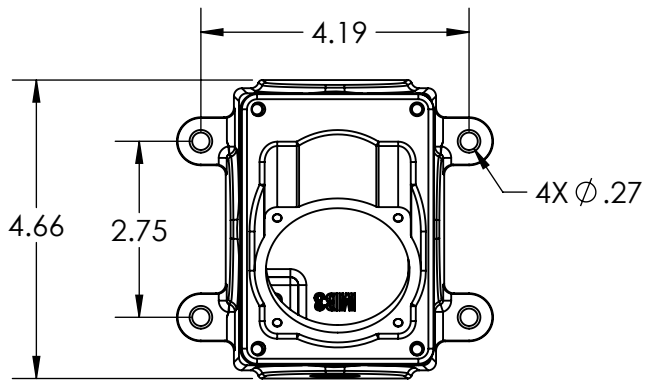
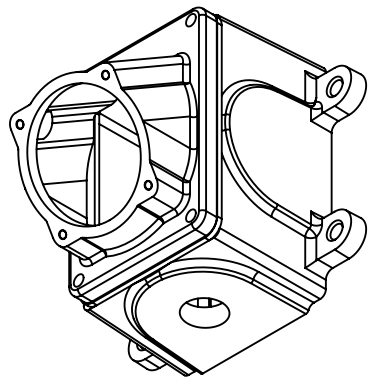
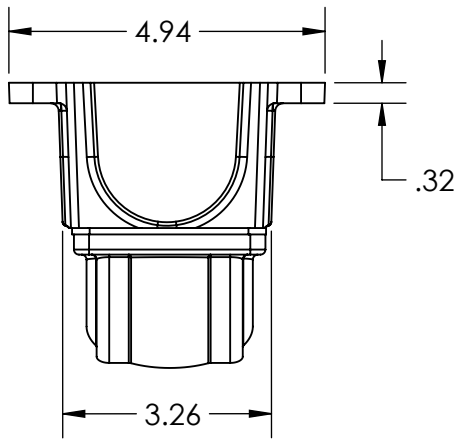


This drawing is the property of MELTRIC Corporation, Franklin (Milwaukee) Wisconsin, USA. Any unauthorized copying of this drawing by any means, ENG/RD/06 REV: 20 ISSUED DATE: 1/15/11 or disclosure of its contents to any person not authorized by MELTRIC Corporation or its agents to receive it, is strictly prohibited.

G F E D C B A



PART NUMBER	NPT "A"
31-1A053-080-12	1/2" NPT
31-1A053-080-34	3/4" NPT
31-1A053-080-1	1" NPT
31-1A053-080-114	1 1/4" NPT

TOLERANCES UNLESS OTHERWISE SPECIFIED	
MACHINED SURFACES $\sqrt[125]{\text{MAX}}$	ENGLISH 0.X ±0.05 0.XX ±0.01 0.XXX ±0.005
GROUND SURFACES $\sqrt[32]{\text{MAX}}$	
ANGLE TOLERANCE ±1°	
REMOVE BURRS & SHARP EDGES TO .015 MAX.	
DIMENSIONS SHOWN IN OVALS ARE INSPECTION DIMENSIONS.	

		DRAWING TITLE:	
DRAWN	APPROVED	JUNCTION BOX/ANGLE COMBO	
DATE:	SCALE	MATERIAL:	
	NTS	PAINTED METAL AND BLUE POLY	
SHEET:	PART NUMBER		REVISION
1 OF 1	31-1A053-080-xxx		