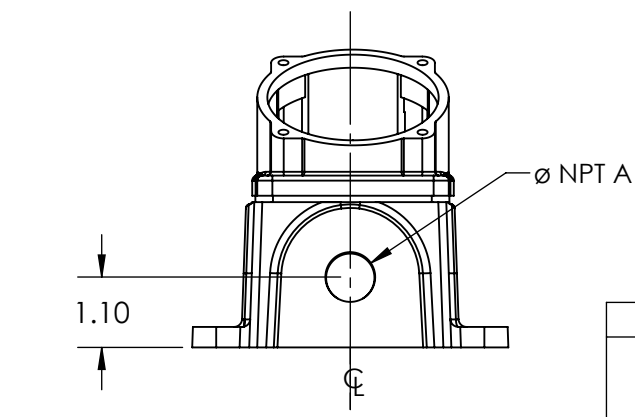
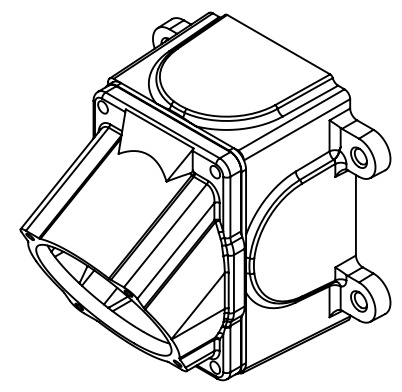
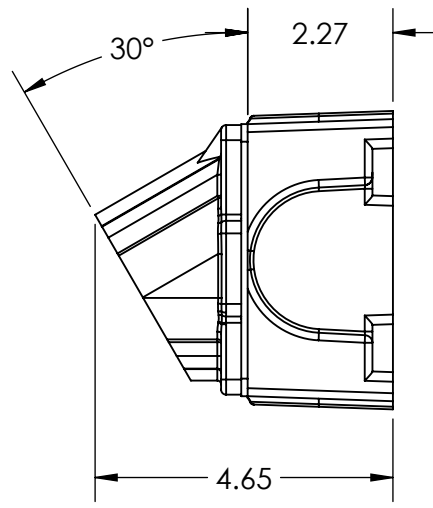
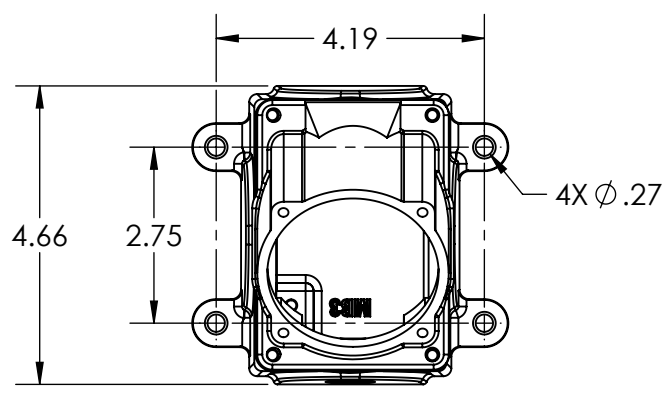
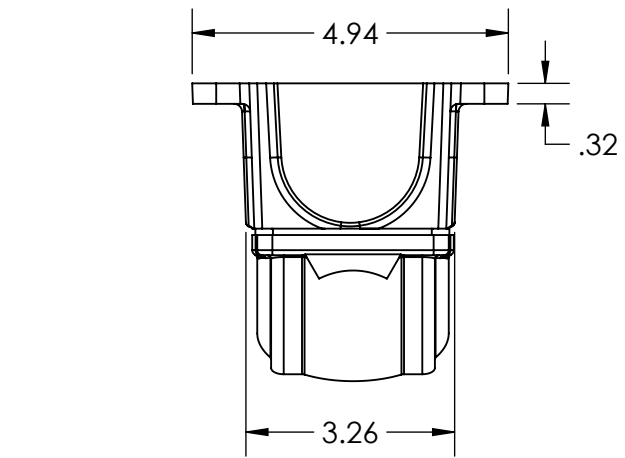


This drawing is the property of MELTRIC Corporation, Franklin (Milwaukee), Wisconsin, USA. Any unauthorized copying of this drawing by any means, ENG/RD/06 REV: 20 ISSUED DATE: 11/15/11 or disclosure of its contents to any person not authorized by MELTRIC Corporation or its agents to receive it, is strictly prohibited.



| PART NUMBER      | NPT "A"    |
|------------------|------------|
| 31-3A053-080-12  | 1/2" NPT   |
| 31-3A053-080-34  | 3/4" NPT   |
| 31-3A053-080-1   | 1" NPT     |
| 31-3A053-080-114 | 1-1/4" NPT |

|  |  |
|--|--|
| TOLERANCES UNLESS OTHERWISE SPECIFIED                |  |
| MACHINED SURFACES $\sqrt[125]{\text{MAX}}$           | <b>ENGLISH</b><br><b>0.X ±0.05</b><br><b>0.XX ±0.01</b><br><b>0.XXX ±0.005</b> |
| GROUND SURFACES $\sqrt[32]{\text{MAX}}$              |  |
| ANGLE TOLERANCE ±1°                                  |  |
| REMOVE BURRS & SHARP EDGES TO .015 MAX.              |  |
| DIMENSIONS SHOWN IN OVALS ARE INSPECTION DIMENSIONS. |  |

|        |                  |                           |          |
|--------|------------------|---------------------------|----------|
|        |                  | DRAWING TITLE:            |          |
| DRAWN  | APPROVED         | JUNCTION BOX/ANGLE COMBO  |          |
| DATE:  | SCALE            | MATERIAL:                 |          |
|        | NTS              | PAINTED METAL & BLUE POLY |          |
| SHEET: | PART NUMBER      |                           | REVISION |
| 1 OF 1 | 31-3A053-080-xxx |                           |          |