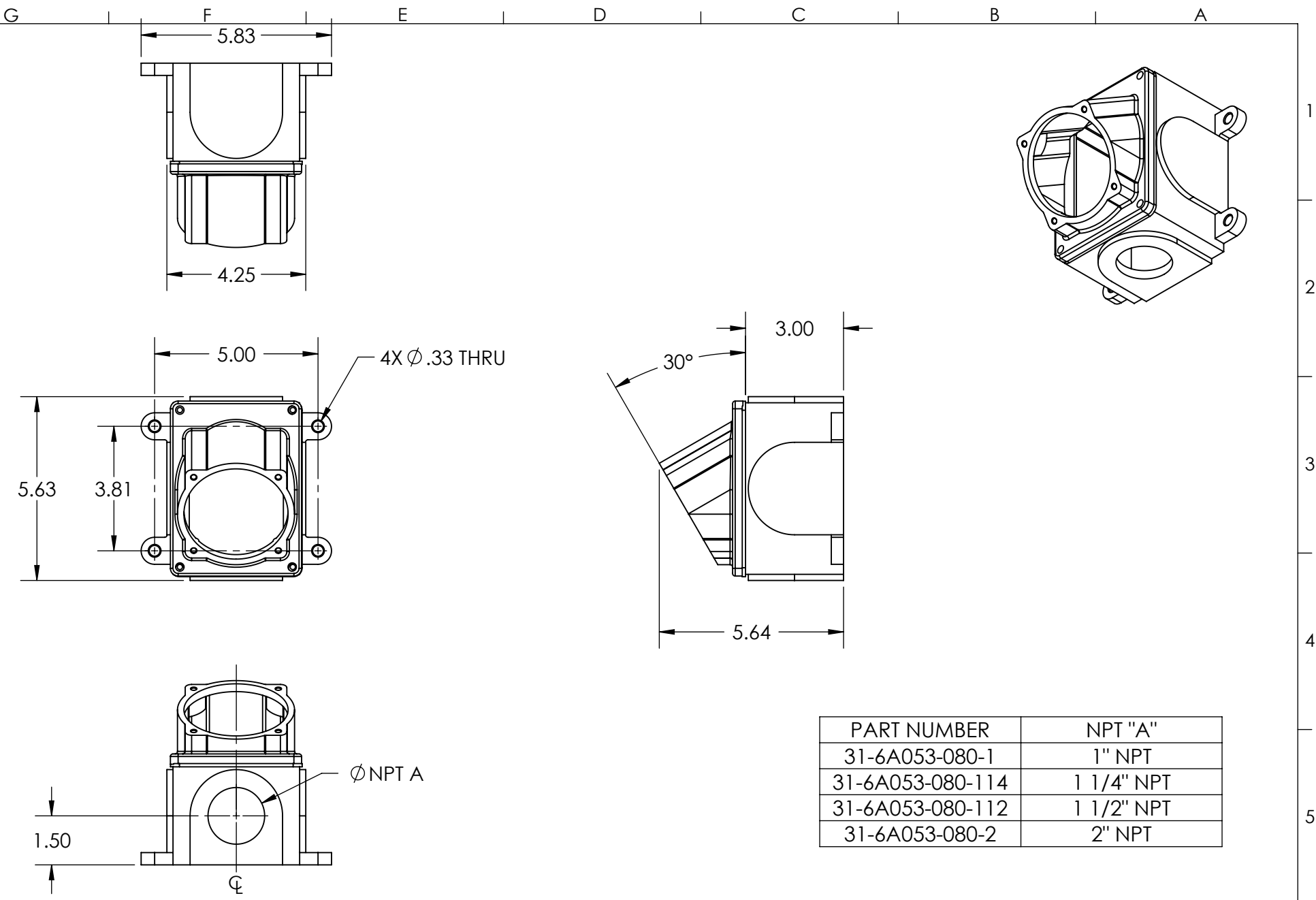


This drawing is the property of MELTRIC Corporation, Franklin (Milwaukee) Wisconsin, USA. Any unauthorized copying of this drawing by any means, ENG/RD/06 REV: 20 ISSUED DATE: 1/15/11 or disclosure of its contents to any person not authorized by MELTRIC Corporation or its agents to receive it, is strictly prohibited.



PART NUMBER	NPT "A"
31-6A053-080-1	1" NPT
31-6A053-080-114	1 1/4" NPT
31-6A053-080-112	1 1/2" NPT
31-6A053-080-2	2" NPT

TOLERANCES UNLESS OTHERWISE SPECIFIED			
MACHINED SURFACES $\sqrt[125]{\text{MAX}}$	ENGLISH		
GROUND SURFACES $\sqrt[32]{\text{MAX}}$	0.X ± 0.05	DRAWN	APPROVED
ANGLE TOLERANCE $\pm 1^\circ$	0.XX ± 0.01	DRAWING TITLE:	
REMOVE BURRS & SHARP EDGES TO .015 MAX.	0.XXX ± 0.005	DATE:	JUNCTION BOX/ANGLE COMBO
DIMENSIONS SHOWN IN OVALS ARE INSPECTION DIMENSIONS.		SCALE	MATERIAL:
		1 OF 1	NTS PAINTED METAL & BLUE POLY
		SHEET:	PART NUMBER
		1 OF 1	31-6A053-080-xxx
			REVISION