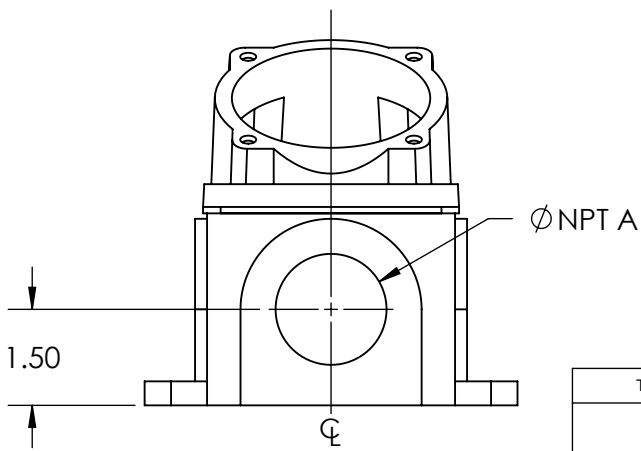
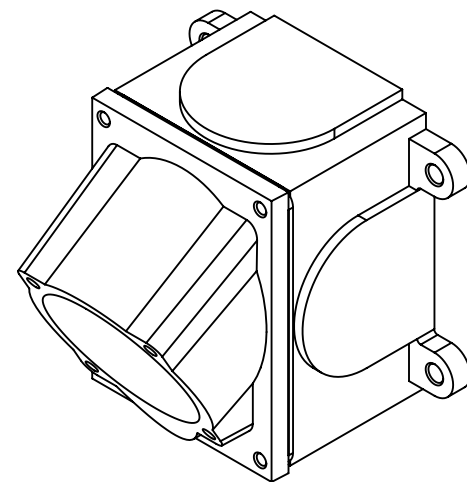
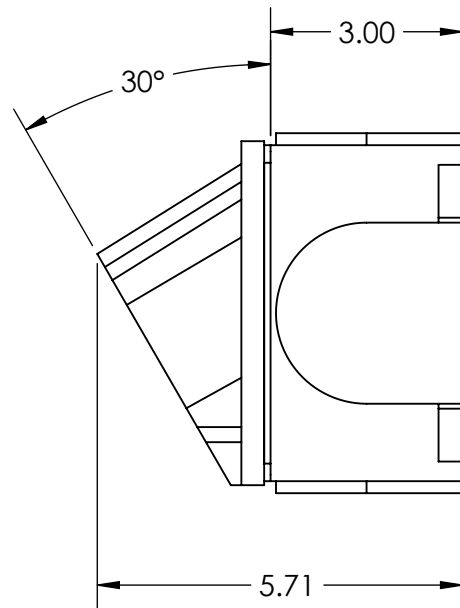
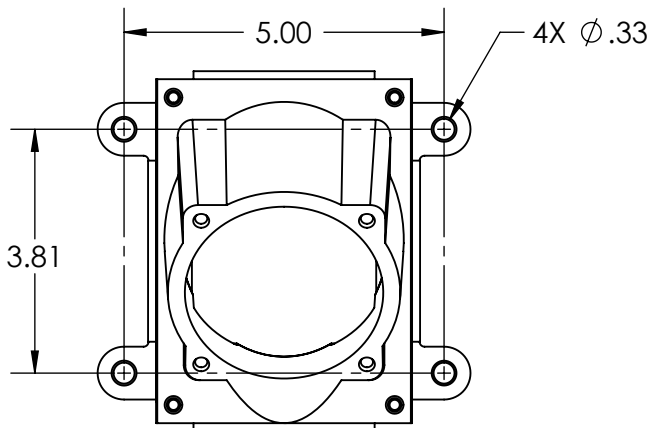
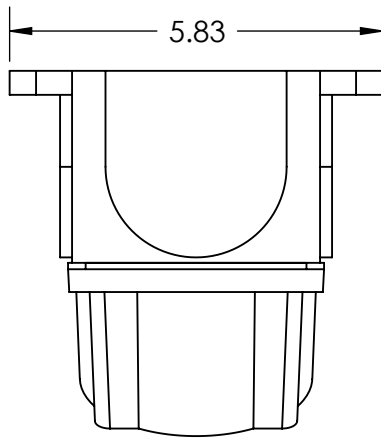


This drawing is the property of MELTRIC Corporation, Franklin, Wisconsin, USA. Any unauthorized copying of this drawing by any means or disclosure of its contents to any person not authorized by MELTRIC Corporation or its agents to receive it, is strictly prohibited.



PART NUMBER	NPT "A"
39-6A053-080-1	1" NPT
39-6A053-080-114	1-1/4" NPT
39-6A053-080-112	1-1/2" NPT
39-6A053-080-2	2" NPT

TOLERANCES UNLESS OTHERWISE SPECIFIED

MACHINED SURFACES $\sqrt{125} \text{ MAX}$
 GROUND SURFACES $\sqrt{32} \text{ MAX}$
 ANGLE TOLERANCE $\pm 1^\circ$
 REMOVE BURRS & SHARP EDGES TO .015 MAX.

ENGLISH
 0.X ± 0.05
 0.XX ± 0.01
 0.XXX ± 0.005

DIMENSIONS SHOWN IN OVALS ARE INSPECTION DIMENSIONS.



DRAWN: _____ APPROVED: _____ DRAWING TITLE: JUNCTION BOX WITH METAL ANGLE

DATE: _____ SCALE: NTS MATERIAL: PAINTED ALUMINUM

PROJECT NUMBER: _____ PART NUMBER: 39-6A053-080-xxx SHEET: 1 OF 1

REV.	DATE	CHANGED BY	REMARKS	ECN#