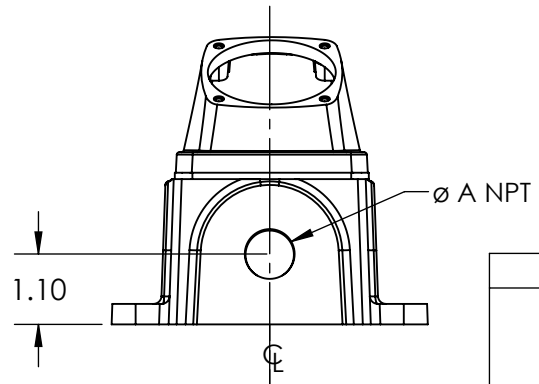
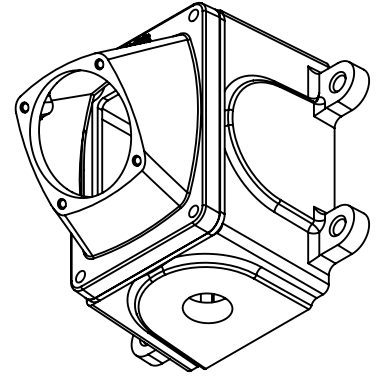
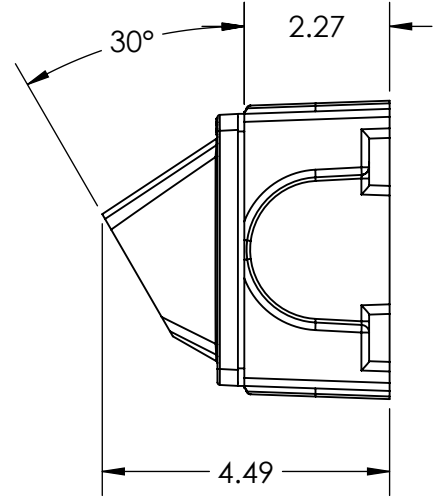
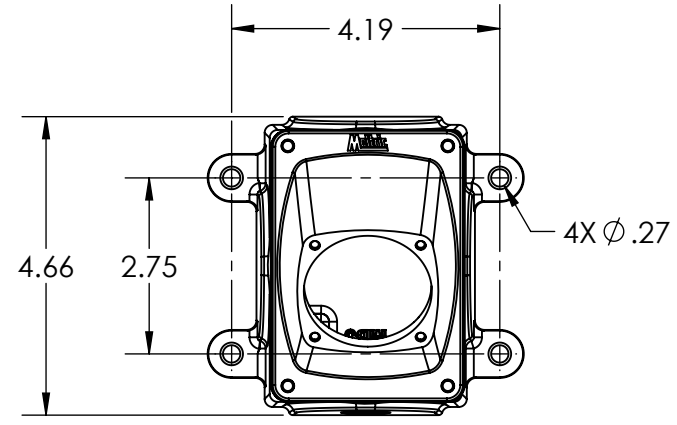
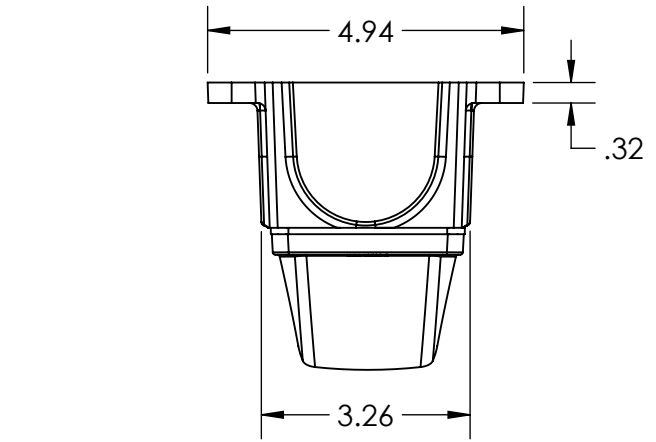


This drawing is the property of MELTRIC Corporation, Franklin (Milwaukee) Wisconsin, USA. Any unauthorized copying of this drawing by any means, ENG/RD/06 REV: 20 ISSUED DATE: 1/15/11 or disclosure of its contents to any person not authorized by MELTRIC Corporation or its agents to receive it, is strictly prohibited.



| PART # | NPT "A" |
|------------------|------------|
| 61-1A053-080-12 | 1/2" NPT |
| 61-1A053-080-34 | 3/4" NPT |
| 61-1A053-080-1 | 1" NPT |
| 61-1A053-080-114 | 1 1/4" NPT |

| TOLERANCES UNLESS OTHERWISE SPECIFIED | |
|--|--|
| MACHINED SURFACES $\sqrt{125} \text{ MAX}$ | ENGLISH 0.X ±0.05 0.XX ±0.01 0.XXX ±0.005 |
| GROUND SURFACES $\sqrt{32} \text{ MAX}$ | |
| ANGLE TOLERANCE ±1° | |
| REMOVE BURRS & SHARP EDGES TO .015 MAX. | |
| DIMENSIONS SHOWN IN OVALS ARE INSPECTION DIMENSIONS. | |

| | | | |
|--------|------------------|-----------------------------|----------|
| | | DRAWING TITLE: | |
| DRAWN | APPROVED | METAL BOX/POLY ANGLE COMBO | |
| DATE: | SCALE | MATERIAL: | |
| | NTS | PAINTED METAL AND BLUE POLY | |
| SHEET: | PART NUMBER | | REVISION |
| 1 OF 1 | 61-1A053-080-xxx | | |