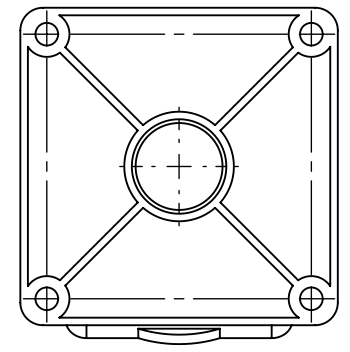
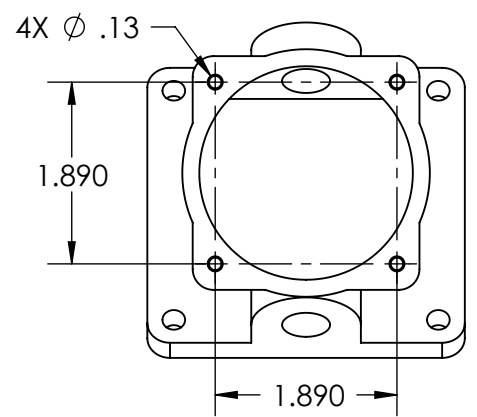
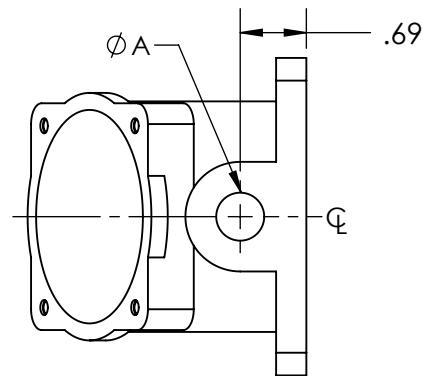
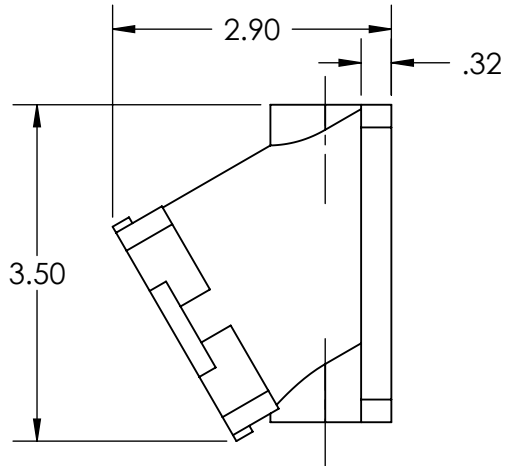
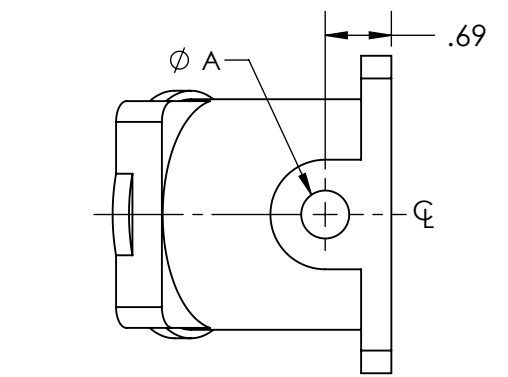
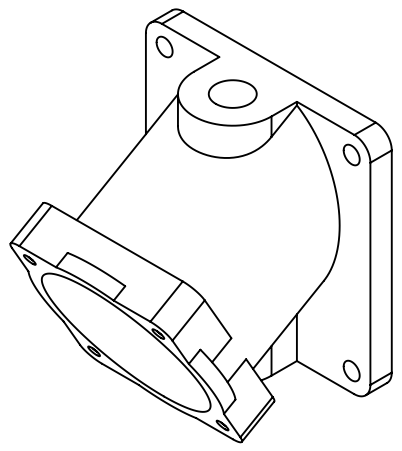
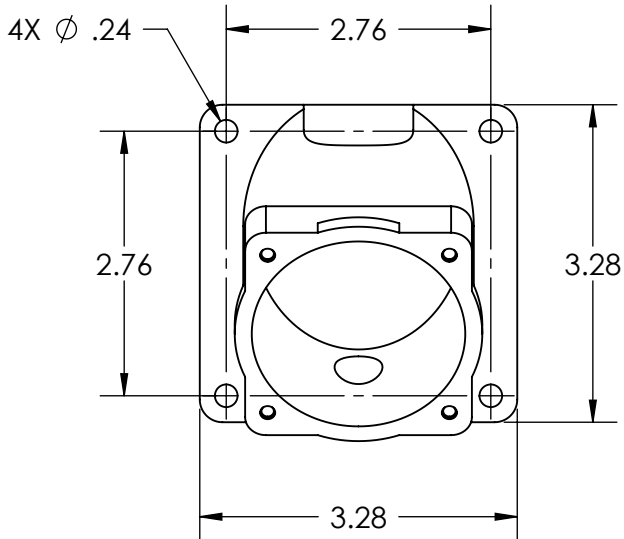


This drawing is the property of MELTRIC Corporation, Franklin (Milwaukee) Wisconsin, USA. Any unauthorized copying of this drawing by any means, ENG/RD/06 REV: 20 ISSUED DATE: 1/15/11 or disclosure of its contents to any person not authorized by MELTRIC Corporation or its agents to receive it, is strictly prohibited.



PART NUMBER	NPT A
61-3A023-12	1/2" NPT
61-3A023-34	3/4" NPT

NOTE: INTERNAL VOLUME 8.7 CUBIC INCHES.

TOLERANCES UNLESS OTHERWISE SPECIFIED				ENGLISH 0.X ±0.05 0.XX ±0.01 0.XXX ±0.005	
MACHINED SURFACES	125 [√] MAX				
GROUND SURFACES	32 [√] MAX	DATE:		POLY CONDUIT ENTRY	
ANGLE TOLERANCE ±1°		SCALE		MATERIAL:	
REMOVE BURRS & SHARP EDGES TO .015 MAX.		NTS		BLUE POLY	
DIMENSIONS SHOWN IN OVALS ARE INSPECTION DIMENSIONS.		SHEET:		PART NUMBER	
		1 OF 1		61-3A023-xx	
				REVISION	