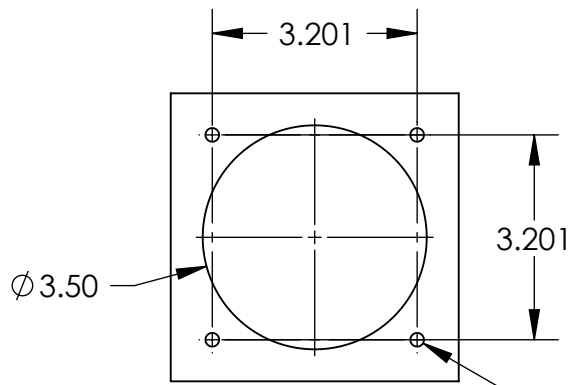
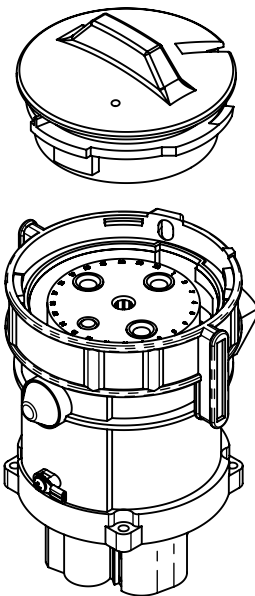
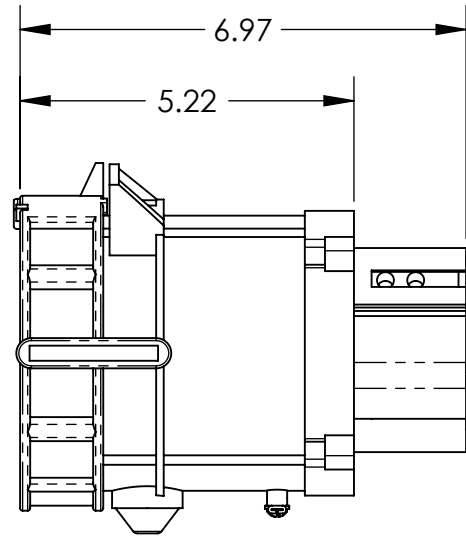
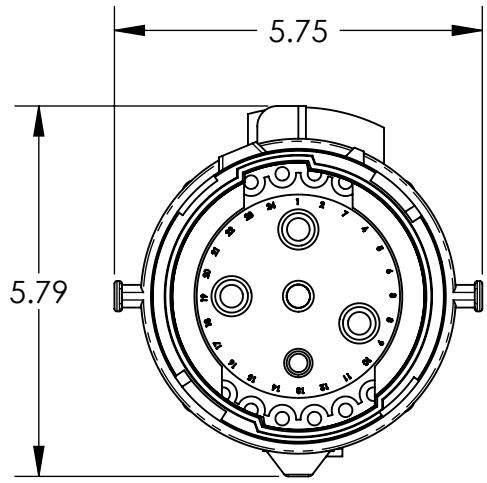
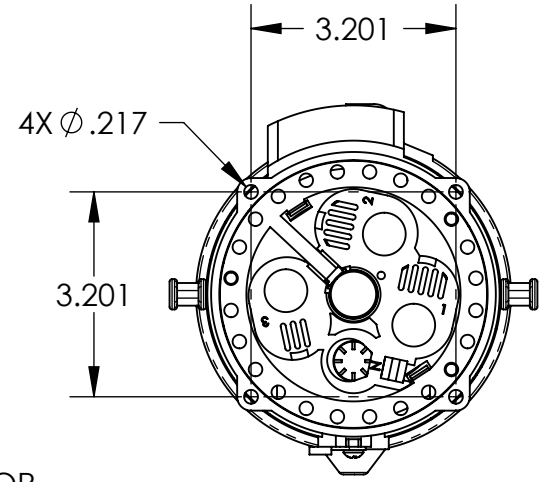


This drawing is the property of MELTRIC Corporation, Franklin (Milwaukee) Wisconsin, USA. Any unauthorized copying of this drawing by any means, ENGR/D06 REV: 20 ISSUED DATE: 1/15/11 or disclosure of its contents to any person not authorized by MELTRIC Corporation or its agents to receive it, is strictly prohibited.



ENTRY HOLE PATTERN

4X  $\phi$ .213  
(CLEARANCE FOR 10-32 HARDWARE)



TOLERANCES UNLESS OTHERWISE SPECIFIED				DRAWING TITLE:	
MACHINED SURFACES $\sqrt{125}$ MAX	<b>ENGLISH</b> <b>0.X ±0.05</b> <b>0.XX ±0.01</b> <b>0.XXX ±0.005</b>			DB100 RECEPTACLE	
GROUND SURFACES $\sqrt{32}$ MAX		DATE:	SCALE: 1:3	MATERIAL: METAL CASING	
ANGLE TOLERANCE $\pm 1^\circ$		SHEET: 1 OF 1	PART NUMBER: 89-94xxx	REVISION:	
REMOVE BURRS & SHARP EDGES TO .015 MAX.					
DIMENSIONS SHOWN IN OVALS ARE INSPECTION DIMENSIONS.					