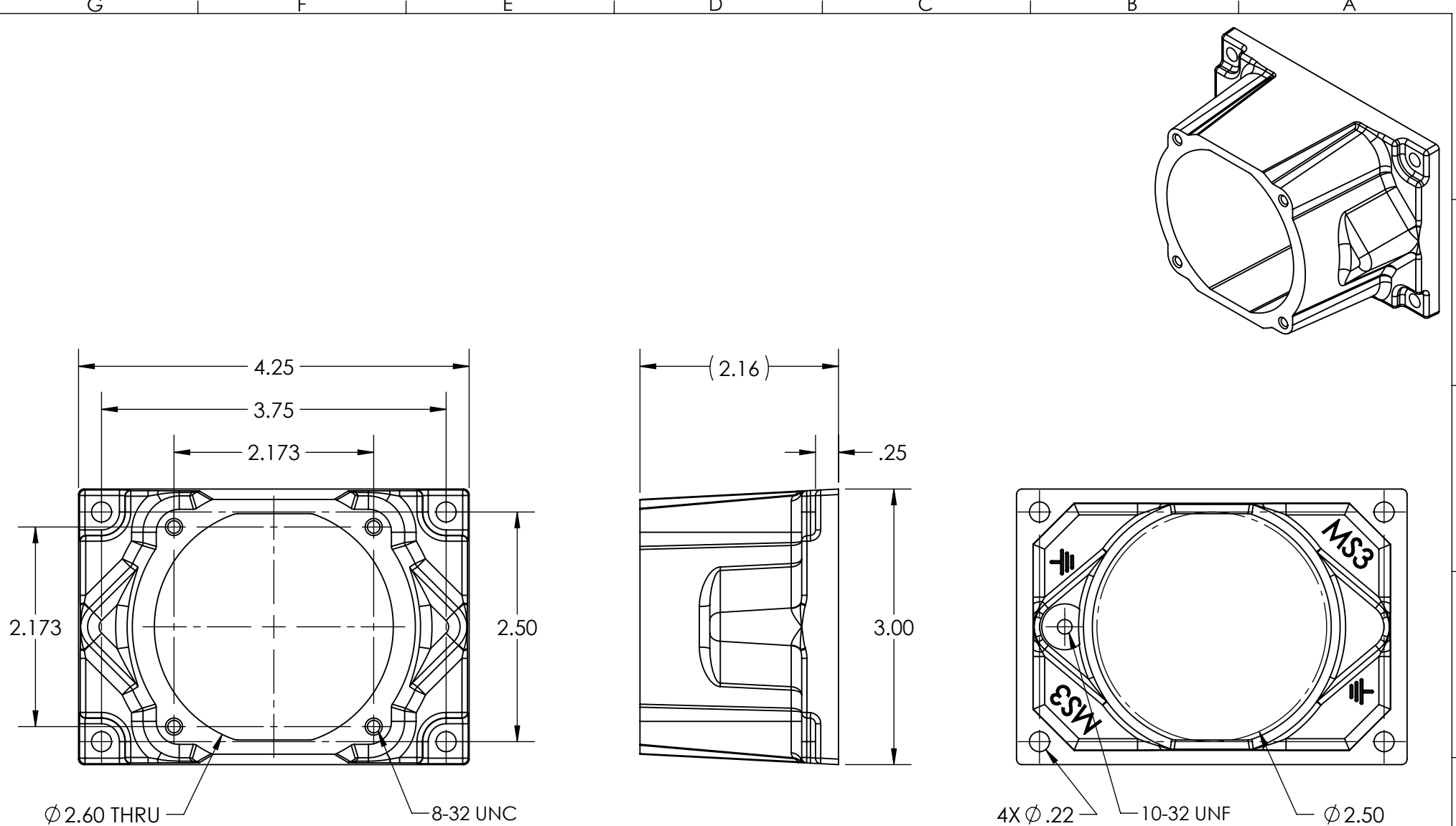


This drawing is the property of MELTRIC Corporation, Franklin (Milwaukee) Wisconsin, USA. Any unauthorized copying of this drawing by any means, ENG/RD/06 REV: 20 ISSUED DATE: 1/15/11 or disclosure of its contents to any person not authorized by MELTRIC Corporation or its agents to receive it, is strictly prohibited.



| | | | |
|--|--|---|--------------------|
| TOLERANCES UNLESS OTHERWISE SPECIFIED | | | |
| MACHINED SURFACES $\sqrt[125]{\text{MAX}}$ | ENGLISH 0.X ±0.05 0.XX ±0.01 0.XXX ±0.005 | DRAWN | APPROVED |
| GROUND SURFACES $\sqrt[32]{\text{MAX}}$ | | DRAWING TITLE: MS3 STRAIGHT ADAPTER | |
| ANGLE TOLERANCE $\pm 1^\circ$ | | DATE: | SCALE NTS |
| REMOVE BURRS & SHARP EDGES TO .015 MAX. | | SHEET: 1 OF 1 | PART NUMBER MS3 |
| DIMENSIONS SHOWN IN OVALS ARE INSPECTION DIMENSIONS. | | | REVISION |