

DESCRIPTION

The Steeler LED is designed for a wide variety of applications and mounting heights. Precision designed optics, multiple distributions, lumen outputs and color temperatures make the Steeler LED ideal for industrial, commercial, manufacturing, gymnasium (g) and other applications that utilize traditional HID and linear fluorescent high bays. The proprietary discrete, low-brightness LED module assembly offers exceptional optical performance with the enhanced benefits of LED lighting, including energy savings, extended system life, a reduced carbon footprint.

Catalog #		Type
Project		
Comments		Date
Prepared by		

SPECIFICATION FEATURES

Construction

Diecast aluminum lower housing provides added protection for LED components and optimal performance. Upper driver housing consist of heavy gauge CRS for durability and thermal control.

Electrical

Long-life LED system coupled with electrical driver to deliver optimal performance. LED's available in 3500K, 4000K and 5000K with a CRI ≥ 80. cULus listed. Electronic drivers are available for 120-277V, 347V and 480V applications. Standard 0-10V dimming. Or, specify the Digital Addressable Lighting Interface (DALI) drivers for use with Fifth Light controls.

Finish

Standard white polyester powder coat finish painted after fabrication for increased durability and rust inhibition.

Optics

Precision designed, high-impact polycarbonate optics deliver even illumination. Narrow, medium and wide distribution ensures superior performance to key areas within an application. Additional performance options include a low profile optical shroud and uplight reflector. IP65 rated optics.

Options

Integral Occupancy Sensor available and provides 1200 sq. ft. of coverage in a maximum mounting height of 30'.

Mounting

The SSLED series is ideally suited for suspension mounting with various mounting options.

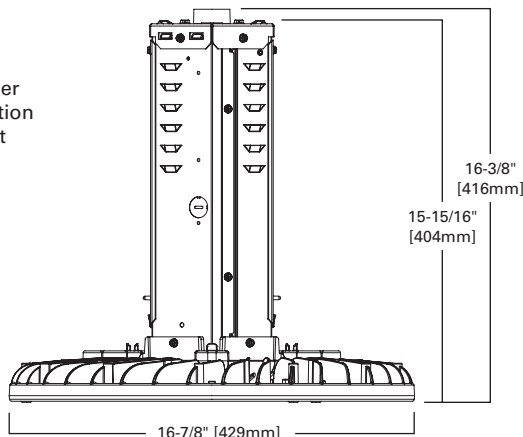
Compliance

Luminaires are cULus listed for damp locations -20°C - 55°C ambient environments with 0-10V drivers (see chart). RoHS compliant, and LED modules comply with IESNA LM-79 and LM-80 standards. DesignLights Consortium™ Qualified and classified for DLC Standard, refer to www.designlights.org for details.

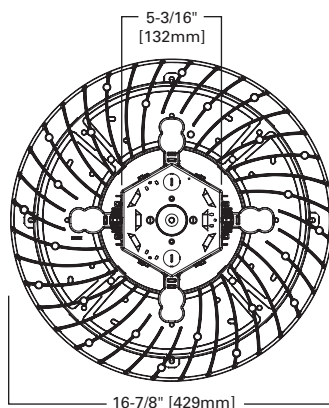


**SS
LED**

LED Round High Bay



DIMENSION TOP VIEW



ENERGY DATA

Input Watts:
 12 (12,000 lumens)=106W
 18 (18,000 lumens)=162W
 24 (24,000 lumens)=224W
 28 (28,000 lumens)=271W

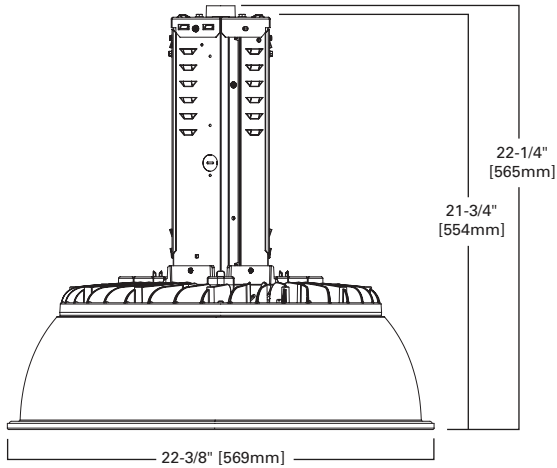
LINEAR DISCONNECT

Safe and convenient means of disconnecting power

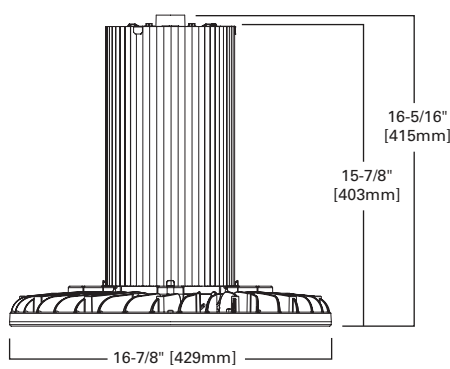


ACCESSORIES

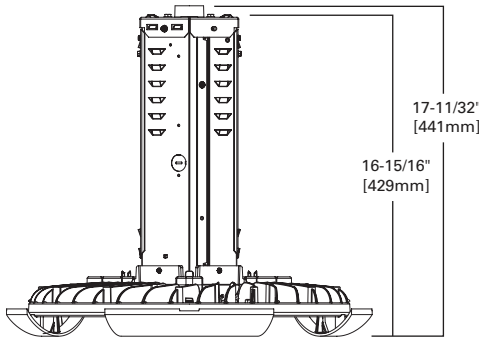
SSLED-W/ SHROUD ACCESSORY KIT
(KIT: SSLED-SA23-U)



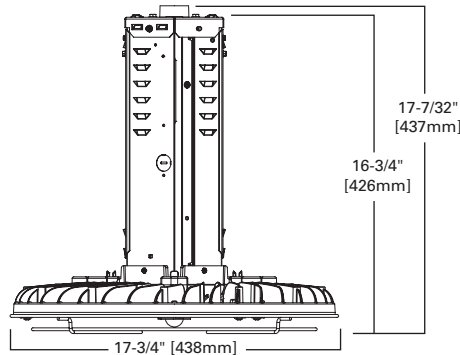
SSLED-W/ROUND DECO SHIELD
(KIT: SSLED-DECO-U)



SSLED-W/ UPLIGHT ACCESSORY KIT
(KIT: SSLED-UPL-U)



SSLED-W/WIRE GUARD
(KIT: SSLED-WGRD-U)



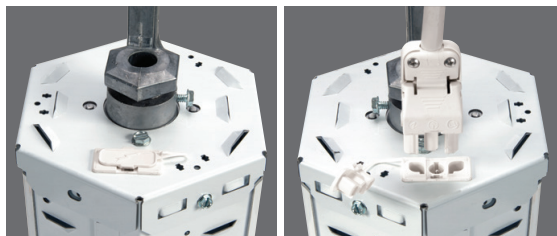
LUMEN MAINTENANCE

Ambient Temperature	TM-21 Lumen Maintenance (60,000 hours)	Theoretical L70 (Hours)
55°C	> 83%	> 121,000

LUMEN PACKAGES AND AMBIENT TEMPERATURE

Lumen	40°C	50°C	55°C
12	STD	STD	STD
18	STD	HT (CD2)	HT (CD2)
24	STD	HT	N/A
28	STD	N/A	N/A

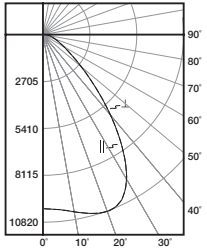
Modular Power Supply Option



Eaton’s Modular Power Supply option is available for use with the SSLED. The modular power supply allows external fixture access for safe and easy servicing. Access to the individual fixture’s power supply allows servicing without turning off all the fixtures disrupting occupants. Eaton’s Modular Power Supply is a time saver in installation – **simply plug & power.**

1. Modular Power Supply Receptacle supplied mounted into fixture Access Plate.
2. Modular Power Cord & Plugs in 120, 277, 347, & 480V configurations for easy plug & power into existing supply.

PHOTOMETRICS



SSLED-LD1-18-M-UNV-L840-CD1-U

Electronic Driver
 Linear LED 4000K
 Spacing criterion: (II) 1.3 x mounting height,
 (⊥) 1.3 x mounting height
 Lumens: 19,436
 Input Watts: 162W
 Efficacy: 120.0 lm/W
 Test Report: SSLED-LD1-18-M-UNV-L840-CD1-U.IES

Coefficients of Utilization

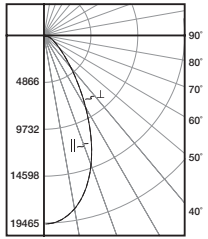
rc rw RCR	Effective floor cavity reflectance																					
	80%						20%															
	70	50	30	10	70	50	30	10	50	30	10	50	30	10	50	30	10	50	30	10	0%	
0	119	119	119	119	116	116	116	116	111	111	111	106	106	106	102	102	102	100				
1	112	108	105	102	109	106	103	100	102	99	97	98	96	94	94	93	91	89				
2	104	98	92	88	102	96	91	87	92	88	85	89	86	83	86	84	81	79				
3	97	88	82	77	95	87	81	76	84	79	75	82	77	74	79	76	73	71				
4	90	81	73	68	88	79	73	68	77	71	67	75	70	66	73	69	65	63				
5	84	74	66	61	82	73	66	60	71	64	60	69	63	59	67	62	59	57				
6	79	67	60	55	77	67	60	54	65	59	54	63	58	54	62	57	53	51				
7	74	62	55	49	72	61	54	49	60	54	49	59	53	49	57	52	48	47				
8	69	57	50	45	68	57	50	45	56	49	45	54	49	44	53	48	44	43				
9	65	53	46	41	64	53	46	41	52	45	41	51	45	41	50	44	41	39				
10	61	50	43	38	60	49	42	38	48	42	38	47	42	38	46	41	37	36				

Candlepower

Degree	CP
0	10044
5	10132
15	10678
25	10520
35	7734
45	3888
55	1645
65	772
75	367
85	108
90	0

Zonal Lumen Summary

Zone	Lumens	% Fixture
0-30	8787	45.2
0-40	13569	69.8
0-60	18139	93.3
0-90	19436	100.0
0-180	19436	100.0



SSLED-LD1-18-N-UNV-L840-CD1-U

Electronic Driver
 Linear LED 4000K
 Spacing criterion: (II) 0.8 x mounting height,
 (⊥) 0.8 x mounting height
 Lumens: 19101
 Input Watts: 162W
 Efficacy: 117.9 lm/W
 Test Report: SSLED-LD1-18-N-UNV-L840-CD1-U.IES

Coefficients of Utilization

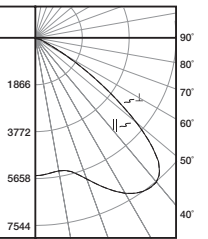
rc rw RCR	Effective floor cavity reflectance																					
	80%						20%															
	70	50	30	10	70	50	30	10	50	30	10	50	30	10	50	30	10	50	30	10	0%	
0	119	119	119	119	116	116	116	116	111	111	111	106	106	106	102	102	102	100				
1	112	109	106	103	110	107	104	101	102	100	98	99	97	95	95	94	92	91				
2	105	99	95	90	103	98	93	89	94	91	87	91	88	86	88	86	84	82				
3	99	91	85	81	97	90	84	80	87	83	79	85	81	77	82	79	76	75				
4	93	84	78	73	91	83	77	72	81	76	72	79	74	71	77	73	70	68				
5	88	78	71	66	86	77	71	66	75	70	65	73	69	65	72	68	64	63				
6	83	73	66	61	81	72	65	61	70	65	60	69	64	60	67	63	59	58				
7	78	68	61	56	77	67	61	56	66	60	56	65	59	56	63	59	55	54				
8	74	64	57	52	73	63	57	52	62	56	52	61	55	52	60	55	51	50				
9	70	60	53	49	69	59	53	49	58	52	48	57	52	48	56	52	48	47				
10	67	56	50	46	66	56	50	46	55	49	45	54	49	45	53	49	45	44				

Candlepower

Degree	CP
0	19469
5	19076
15	16205
25	10936
35	5568
45	2497
55	1219
65	671
75	376
85	142
90	0

Zonal Lumen Summary

Zone	Lumens	% Fixture
0-30	11267	59.0
0-40	14782	77.4
0-60	17877	93.6
0-90	19101	100.0
0-180	19101	100.0



SSLED-LD1-18-W-UNV-L840-CD1-U

Electronic Driver
 Linear LED 4000K
 Spacing criterion: (II) 1.9 x mounting height,
 (⊥) 1.9 x mounting height
 Lumens: 19229
 Input Watts: 162W
 Efficacy: 118.7 lm/W
 Test Report: SSLED-LD1-18-W-UNV-L840-CD1-U.IES

Coefficients of Utilization

rc rw RCR	Effective floor cavity reflectance																					
	80%						20%															
	70	50	30	10	70	50	30	10	50	30	10	50	30	10	50	30	10	50	30	10	0%	
0	119	119	119	119	116	116	116	116	111	111	111	106	106	106	102	102	102	100				
1	111	107	103	100	108	105	101	99	100	98	95	97	95	93	93	91	90	88				
2	102	95	89	84	100	93	88	83	90	85	81	87	83	80	84	81	78	76				
3	94	85	77	72	92	83	76	71	80	74	70	77	73	69	75	71	67	65				
4	86	75	67	61	84	74	67	61	72	65	60	69	64	59	67	63	59	57				
5	79	67	59	53	77	66	59	53	64	57	52	62	56	52	61	55	51	49				
6	73	61	52	46	71	60	52	46	58	51	46	56	50	45	55	49	45	43				
7	68	55	46	41	66	54	46	40	52	45	40	51	45	40	50	44	40	38				
8	63	50	41	36	61	49	41	36	48	41	36	46	40	35	45	39	35	33				
9	58	45	37	32	57	45	37	32	44	37	32	43	36	32	42	36	31	30				
10	54	42	34	29	53	41	34	29	40	33	28	39	33	28	38	32	28	26				

Candlepower

Degree	CP
0	5501
5	5449
15	5528
25	6613
35	7497
45	6973
55	3260
65	704
75	261
85	91
90	0

Zonal Lumen Summary

Zone	Lumens	% Fixture
0-30	5185	27.0
0-40	9865	51.3
0-60	18050	93.9
0-90	19229	100.0
0-180	19229	100.0

ORDERING INFORMATION

SAMPLE NUMBER: SSLED-LD1-24-M-UNV-840-CD2-WHT-U

<p>Series ⁽¹¹⁾ SSLED=LED High Bay</p>	<p>Voltage UNV=Universal Voltage 120-277 UNC=Universal Voltage 347/480 ⁽⁴⁾</p>	<p>Color WHT=White GRY=Gray BLK=Black</p>	<p>Options SVPD3=Integrated Occupancy and Daylight Sensor, 1200 sq. ft. Coverage ⁽⁷⁾</p>	<p>Packaging U=Unit Pack</p>
<p>LED Type LD1=LED 1.0</p>	<p>CCT L835=3500K L840=4000K L850=5000K</p>	<p>Mounting Type ^{(1), (9)} [Blank]=3/4" Threaded Hub SHK=Fixture Hook ⁽⁸⁾ TCB=Top Connector Box ^{(3), (9)} TCB/SHK=Top Connector Box with Die-cast Aluminum Fixture Hook TCB/FL-1=Top Connector Box with Fixture Loop MP=Modular Plug (1 Circuit) ⁽¹²⁾ MP/SHK=Modular Plug with Fixture Hook (supplied) MP/FL-1=Modular Plug with Fixture Loop (supplied)</p>	<p>Accessories(order separately) LOOP-10=Ten Foot Loop Hanger, #2 Cable ⁽¹³⁾ LOOP-30=Thirty Foot Loop Hanger, #2 Cable ⁽¹³⁾ SSLED-SA23-U=Aluminum Shroud ⁽¹⁰⁾ SSLED-WG17-U=Wireguard ⁽¹⁰⁾ WG22=Wireguard for use with SA23 ⁽¹⁰⁾ SHK=Fixture Hook FL-1=Fixture Loop MPC3=3' Modular Power Cord & Plug (Specify Voltage) MPC6=6' Modular Power Cord & Plug (Specify Voltage) MC3=3' Modular Power Cord MC6=6' Modular Power Cord SSLED-DECO-U=Round Deco Kit ⁽⁶⁾ SSLED-UPL-U=Uplight Kit ⁽¹⁰⁾ ISHH-01=Programming Remote for Integrated Sensor ISHH-02=Personal Control Remote for Integrated Sensor</p>	
<p>LED Lumen Output 12=12,000 Lumens 18=18,000 Lumens 24=24,000 Lumens 28=28,000 Lumens</p>	<p>Options Emergency EL20W-REM=Emergency Installed, Remote, 20 Watts ^{(2), (3), (4)}</p>	<p>Wiring C3 (1)=1 Circuit, 3' Cord with no Plug C3 (2)=2 Circuits, 3' Cord with no Plug C6 (1)=1 Circuit, 6' Cord with no Plug C6 (2)=2 Circuits, 6' Cord with no Plug PC3/120=(NEMA L5-15P) 3' Cord with NEMA Plug ⁽⁸⁾ PC3/277=(NEMA L7-15P) 3' Cord with NEMA Plug ⁽⁸⁾ PC3/347=(NEMA L24-20P) 3' Cord with NEMA Plug ⁽⁸⁾ PC3/480=(NEMA L8-20P) 3' Cord with NEMA Plug ⁽⁸⁾ PC6/120=(NEMA L5-15P) 6' Cord with NEMA Plug ⁽⁸⁾ PC6/277=(NEMA L7-15P) 6' Cord with NEMA Plug ⁽⁸⁾ PC6/347=(NEMA L24-20P) 6' Cord with NEMA Plug ⁽⁸⁾ PC6/480=(NEMA L8-20P) 6' Cord with NEMA Plug ⁽⁸⁾</p>		
<p>Ambient Rating [Blank]=Standard Ambient HT=High Ambient (18, 24 only)</p>	<p>Driver Type CD=0-10V Dimming Driver 5LTD=Fifth Light DALI ⁽⁶⁾</p>			
<p>Distribution N=Narrow M=Medium W=Wide</p>	<p>Number of Drivers 1=1 Driver (12, 18) 2=2 Drivers (18HT, 24, 24HT, 28)</p>			

NOTES: ⁽¹⁾ TCB and MP cannot be ordered at the same time. ⁽²⁾ Battery pack must be remote mounted 1 ft. off-center from fixture to building structure or an electrical enclosure. ⁽³⁾ No EL with TCB. ⁽⁴⁾ No EL with UNC drivers. ⁽⁵⁾ DALI and EL20W up to 40°C only (no HT). ⁽⁶⁾ Deco shield can be used up to 24,000 lumens (40°C temp.) ⁽⁷⁾ Eaton sensor SVPD3 available in UNV only. ⁽⁸⁾ SHK or FL-1 must be ordered factory installed for PC option. ⁽⁹⁾ Rigid mount not for use in gymnasiums. ⁽¹⁰⁾ Uplight Kit not compatible with SA23 Shroud, WG17 or WG22 wireguards. ⁽¹¹⁾ DesignLights Consortium™ Qualified and classified for DLC Standard (all lumen packages), refer to www.designlights.org for details. ⁽¹²⁾ MP option to be paired with MPC and MC power cord accessory. ⁽¹³⁾ The accessory Loop Hanger shall be utilized only as a secondary safety and not the primary means of mounting

Specifications & dimensions subject to change without notice. Consult your Eaton Representative for availability and ordering information.

SHIPPING DATA

Catalog No.	Wt.
SSLED-LD1-12	19 lbs.
SSLED-LD1-18	19 lbs.
SSLED-LD1-24	19 lbs.
SSLED-LD1-27	19 lbs.



Eaton
 1121 Highway 74 South
 Peachtree City, GA 30269
 P: 770-486-4800
 www.eaton.com/lighting

Specifications and dimensions subject to change without notice.

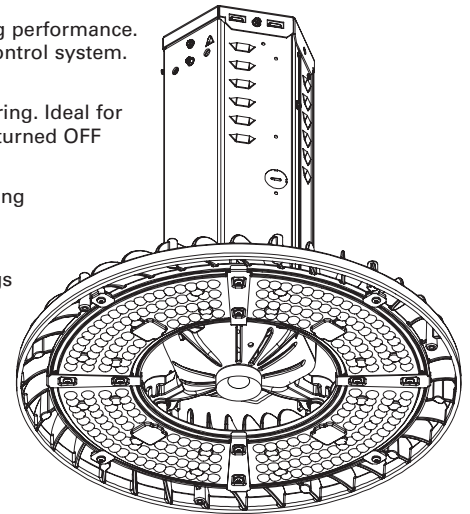
INTEGRATED SENSOR

The Steeler LED with Integrated Sensor technology provides automatic energy savings without sacrificing performance. Traditionally these types of energy savings required coordination between the luminaire and a lighting control system. The Steeler LED delivers superior lighting with integrated occupancy and daylighting controls.

Capture the benefits of traditional lighting controls, without complicated coverage planning or special wiring. Ideal for new construction or retrofit the Steeler LED delivers automatic ON to an energy saving light level, while turned OFF when the space is unoccupied.

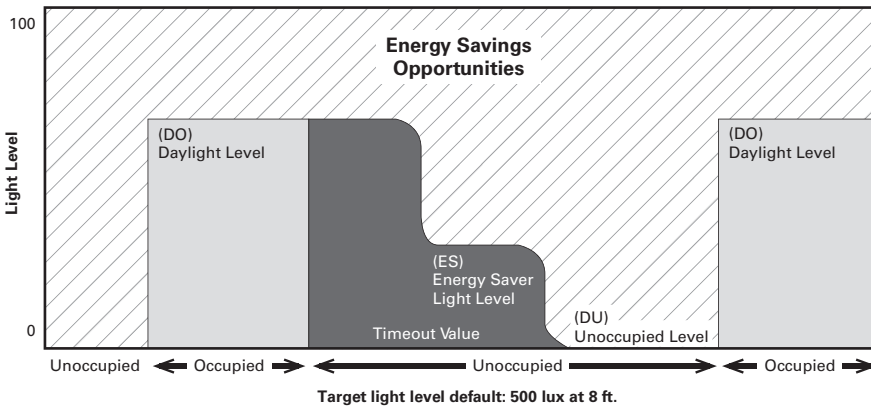
Occupied light levels and unoccupied light levels can be adjusted using the integrated sensor programming remote (Catalog Number: ISHH-01). The integrated sensor personal remote (Catalog Number: ISHH-02) provides code compliant manual raise, lower, ON, OFF control.

The Steeler LED with Integrated Sensor is easy to install with no special wiring and ensures energy savings out-of-the-box with default control settings.

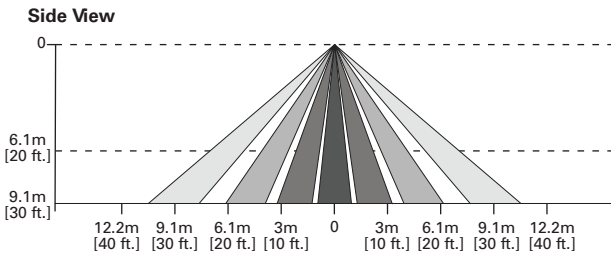


How it works:

- As the user enters the space controlled by the integral sensor, the lighting turns ON to full light output. This can be changed using the optional remote.
- Lighting will remain at that the occupied level until the space is unoccupied. This will start the occupancy timeout period (default 20 minutes).
- If the space remains unoccupied for half of the timeout period, the lighting will automatically reduce to the Energy Saver light level. This adjustable light level is typically half of the occupied level.
- At the end of the timeout period the lighting will go to the unoccupied light level. This adjustable light level uses the OFF default setting.



SVPD3 Coverage Pattern



Optional Remote Controls



ISHH-01 Remote



ISHH-02 Remote