

## SPECIFICATION SHEET

### W200 SERIES DIFFERENT SCHEDULES EACH DAY 7 DAY TIME SWITCH

#### APPLICATIONS

- Heating, air conditioning.
- Display lighting, ventilating systems.
- Lighted signage.
- Storefront lighting.

#### FEATURES

##### SCHEDULING:

Minimum ON setting is 1 hour with a minimum OFF setting of 2 hours. Minimum 8 hours between 2 OFF settings. Models W400A and W402A offer minimum ON/OFF settings of 3<sup>1</sup>/<sub>2</sub> hours. 7 day calendar dial accommodates up to 2 pairs of ON/OFF trippers per day – 7 pairs are supplied.

##### SKIP-A-DAY:

Omit operations on any day.

##### MANUAL OVERRIDE:

Until the next regularly scheduled ON or OFF automatic operation then resumes.

##### OPTIONAL RESERVE POWER:

"L" models keep dial on time up to 24 hours during power outage.

#### SPECIFICATIONS

##### INPUT VOLTAGE:

120 or 208-277VAC, 60Hz, varies by model.

##### TIMING ACCURACY:

Line frequency.

##### TERMINAL RANGE:

#8 - #14AWG.

##### OPERATING TEMPERATURE:

-40 °F to 165 °F (-40 °C to 74 °C).

##### POWER CONSUMPTION:

3 watts, 5 watts for "L" models maximum.

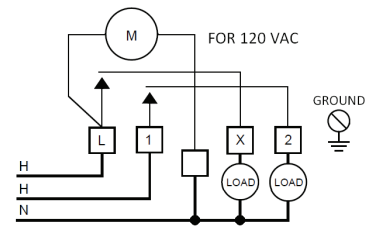
##### ENCLOSURE:

Indoor NEMA 1 Metal with lockable hasp. Other enclosures include metal Indoor/Outdoor NEMA 3 with suffix "O" (see page 557 for enclosure dimensions).

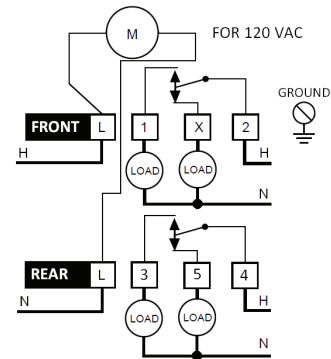


#### WIRE DIAGRAM

W200



W220



#### ORDERING INFO

CAT. NO.	UPC CODE	INPUT SUPPLY (VAC) 60Hz	OUTPUT CONTACTS	ENCLOSURE TYPE
W200	31001	120	DPST	
W202	31011	208-277	DPST	Metal Indoor NEMA 1
W220	34001	120	DPDT	
W222	34011	208-277	DPDT	
<b>WITH RESERVE POWER</b>				
W220L	39009	120	DPDT	Metal Indoor NEMA 1
W222L	39010	208-277	DPDT	
Replacement Trippers	Order #P69 for 7 pairs of ON/OFF trippers			

Replacement Motor #101 (120V) & #201 (208-277V). For "L" models order #36 (120V) and #46 (208-277V).

#### CONTACT RATINGS

TYPE	VOLTAGE (VAC)	CONTACT RATING
General Purpose	120 -277	40A
Resistive	120 -277	40A
Tungsten	120	40A
Ballast	120-277	20A
Pilot Duty	120 -277	1000VA
Motor	120	2HP
	240	5HP

277VAC Single Phase