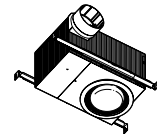


HUMIDITY SENSING RECESSED FLUORESCENT FAN / LIGHT



READ AND SAVE THESE INSTRUCTIONS

WARNING

TO REDUCE THE RISK OF FIRE, ELECTRIC SHOCK, OR INJURY TO PERSONS, OBSERVE THE FOLLOWING:

1. Use this unit only in the manner intended by the manufacturer. If you have questions, contact the manufacturer at the address or telephone number listed in the warranty.
2. Before servicing or cleaning unit, switch power off at service panel and lock the service disconnecting means to prevent power from being switched on accidentally. When the service disconnecting means cannot be locked, securely fasten a prominent warning device, such as a tag, to the service panel.
3. Installation work and electrical wiring must be done by a qualified person(s) in accordance with all applicable codes and standards, including fire-rated construction codes and standards.
4. Sufficient air is needed for proper combustion and exhausting of gases through the flue (chimney) of fuel burning equipment to prevent backdrafting. Follow the heating equipment manufacturer's guideline and safety standards such as those published by the National Fire Protection Association (NFPA), and the American Society for Heating, Refrigeration and Air Conditioning Engineers (ASHRAE), and the local code authorities.
5. When cutting or drilling into wall or ceiling, do not damage electrical wiring and other hidden utilities.
6. Ducted fans must always be vented to the outdoors.
7. Never place a switch where it can be reached from a tub or shower.
8. Do not use a dimmer switch to operate the light in this unit.
9. Install this unit in a flat ceiling only.
10. For use in non fire rated installations only.
11. Not for use in environmental air handling spaces.
12. If this unit is to be installed over a tub or shower, it must be marked as appropriate for the application and be connected to a GFCI (Ground Fault Circuit Interrupter) - protected branch circuit.
13. Do not install in a ceiling thermally insulated to a value greater than R60.
14. This unit must be grounded.

CAUTION

1. For general ventilating use only. Do not use to exhaust hazardous or explosive materials and vapors.
2. To avoid motor bearing damage and noisy and/or unbalanced impellers, use the cardboard protector (provided) to keep drywall spray, construction dust, etc. off power unit.
3. The fluorescent bulb used with this product twists into the bulb socket. **Do not attempt to insert or remove bulb by pushing it straight in or pulling it straight down.**
4. Please read specification label on product for further information and requirements.

OPERATION

The light, fan and humidity control can be operated together or independently using multi-function switch wall controls.

- Use a 3-function control to independently operate light, fan and humidity control.
- Use a 2-function control to independently operate light and humidity control. For fan operation see MANUAL ON WITH TIMED OFF section below.
- Use a 2-function control to independently operate light and fan. Wire humidity control direct to insure humidity control is always on.

See "Connect Wiring" section for various wiring options.

Do not use a dimmer switch control to operate light, fan or humidity control.

SENSOR OPERATION

This humidity-sensing fan responds to: (a) rapid to moderate humidity increases and (b) humidity above a 50%-80% relative humidity set-point. (a) and (b) are set with "HUMIDITY" adjustment. Fan may occasionally turn on when environmental conditions change. If the fan continuously responds to changing environmental conditions, "HUMIDITY" adjustment may be required (see section below).

STATUS INDICATOR

This indicator can only be seen by looking directly at it. Normal mode is 5-seconds on and off. If it blinks rapidly for 5-seconds and then off, check sensor connections on trim ring/baffle and fan housing.

MANUAL ON WITH TIMED OFF

For odor or vapor control, the fan can be energized by cycling its wall-mounted switch if one is installed. Once the fan has been turned on in this manner, it will remain on for the set timer period.

To manually energize the fan:

1. Go to Step 2 if switch is already on; otherwise, turn switch on for more than 1 second.
2. Switch off for less than 1 second.
3. Switch back on and fan will turn on.

HUMIDITY ADJUSTMENT

"HUMIDITY" has been factory set for most shower applications. If the fan is in a tub area or is used for dampness control, the "HUMIDITY" adjustment may need to be decreased toward 50%. If the control is responding too often to changing environmental conditions, "HUMIDITY" adjustment toward 80% may be required. To adjust the "HUMIDITY":

1. Turn power off at electrical service panel.
2. Remove bulb.
3. Through trim ring/baffle, locate the "HUMIDITY" screwdriver slot.
4. Using a small, flat-blade screwdriver, carefully rotate "HUMIDITY" adjustment clockwise toward 50% or counterclockwise toward 80%.
5. Re-install bulb.
6. Turn power on and check operation by turning on shower or other humidity source until fan turns on.
7. Repeat above steps if necessary.

TIMER ADJUSTMENT

This humidity-sensing fan has a timer. It is user-adjustable from 5 to 60 minutes and is factory-set at 20 minutes. The timer controls how long the fan remains on (a) after rise in humidity and (b) humidity level are both below the user-adjustable "HUMIDITY" setting or after being energized by cycling power switch.

To adjust the timer:

1. Disconnect power at electrical service panel.
2. Remove bulb.
3. Through the trim ring/baffle, locate the "MINUTES" screwdriver slot.
4. Using a small, flat-blade screwdriver, carefully rotate "MINUTES" adjustment clockwise to increase time or counterclockwise to decrease time.
5. Re-install bulb.
6. Turn power on and check operation by cycling power switch as instructed under "MANUAL ON WITH TIMED OFF" or by turning on a humidity source until fan turns on.
7. Check timer setting with watch or clock after turning humidity source off if it was turned on it Step 6.
8. Repeat above steps if necessary.

CLEANING & MAINTENANCE

To clean trim ring / baffle: Vacuum with a soft brush attachment or remove trim ring / baffle and clean with a soft cloth.

SENSOR CLEANING

The humidity sensor is mounted in the trim ring/baffle. The sensor will operate most reliably when cleaned occasionally as follows:

1. Disconnect power at service entrance.
2. Remove the trim ring/baffle. Use a dry dustcloth, clean toothbrush, or lightly vacuum to clean sensor and grille. **DO NOT USE ABRASIVE CLOTH, STEEL WOOL PADS, OR SCOURING POWDERS.**
3. **DO NOT USE** cleaning sprays, solvents, or water on or near the sensor!

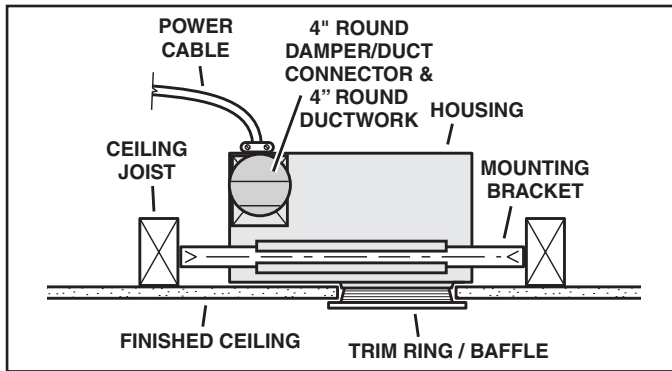
To clean inside of housing: Remove trim ring / baffle and vacuum inside of housing with a soft brush attachment.

Motor is permanently lubricated. Do not oil or disassemble motor.

See "Service Parts" section for a list and illustrations of service parts.

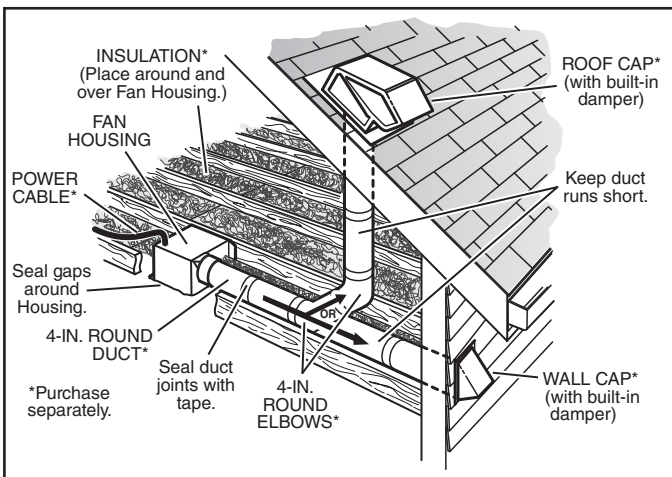
**Installer: Leave this manual
with the homeowner.**

PLAN THE INSTALLATION



Typical Installation

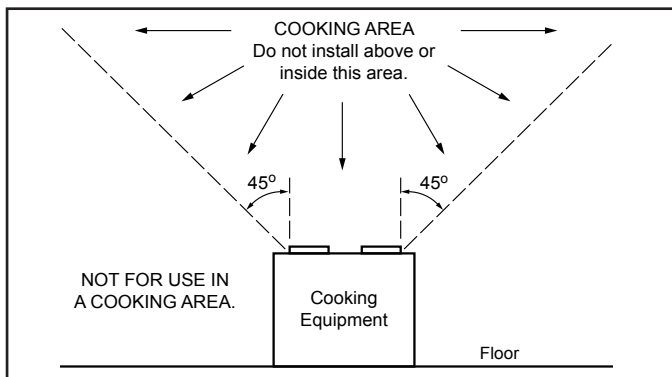
The unit can be installed anywhere between ceiling joists using mounting brackets provided. Install in a flat ceiling only.



The ducting from this fan to the outside of the building has a strong effect on the air flow, noise and energy use of the fan. Use the shortest, straightest duct routing possible for best performance, and avoid installing the fan with smaller ducts than recommended. Insulation around the ducts can reduce energy loss and inhibit mold growth. Fans installed with existing ducts may not achieve their rated airflow.

Use a roof cap or wall cap that has a built-in damper to reduce backdrafts.

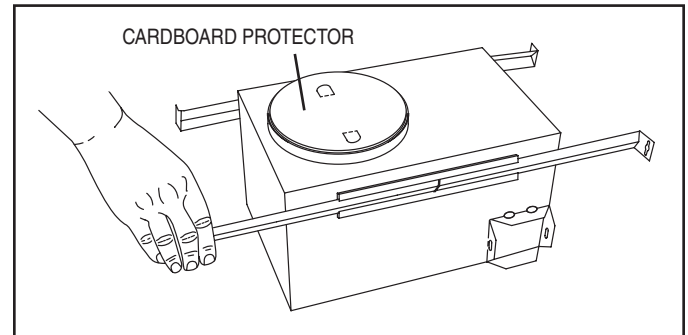
Plan to supply the unit with proper line voltage and appropriate power cable.



Do not install in a cooking area.

The unit must not be installed above or inside the cooking area shown.

INSTALLATION

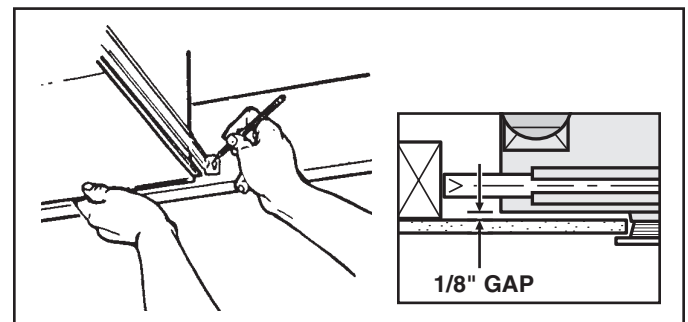


1. Install mounting brackets.

Slide the adjustable mounting brackets into the bracket channels on the housing.

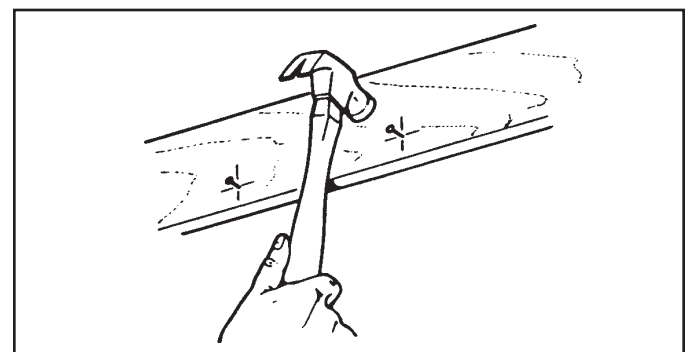
Bend the tabs on the cardboard protector and insert protector into opening in housing.

NOTE: The cardboard protector shields the inside of the housing from drywall spray and construction dust. Do not remove it until after construction is completed.



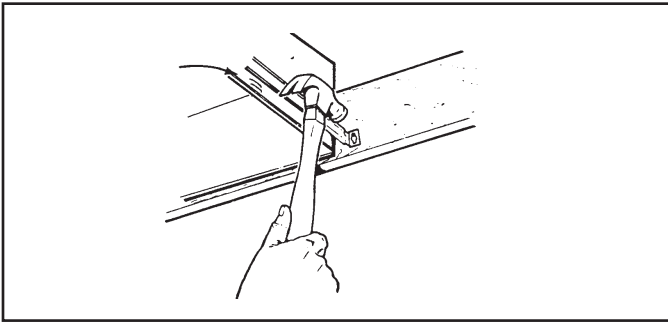
2. Mark mounting location.

Position unit between joists and extend mounting brackets. **IMPORTANT: Position brackets so there will be an 1/8" gap between bottom of housing and ceiling material.** Mark the top of keyhole slot on all four mounting brackets.



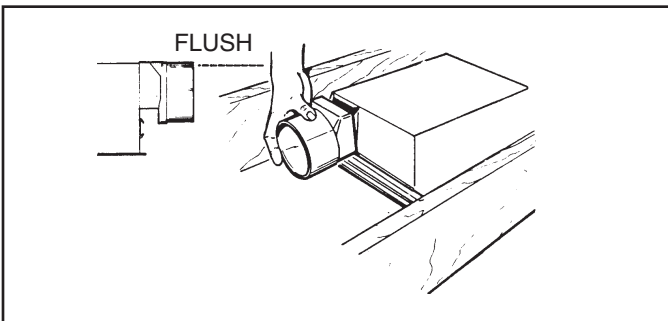
3. Pound in nails.

Remove unit temporarily, and pound nails partially into joists at all four marked locations.



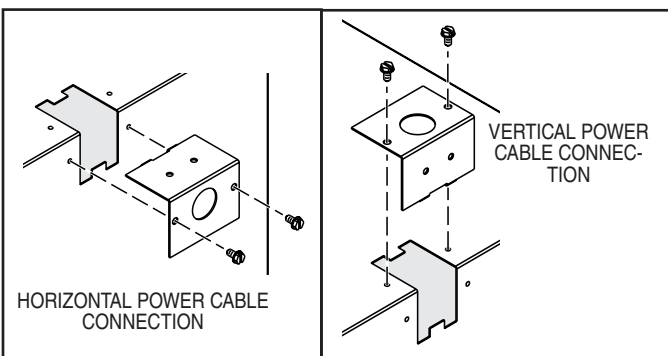
4. Hang and secure housing.

Hang unit from nails. Check to make sure that there will be a 1/8" gap between bottom of housing and ceiling material. Pound nails tight. For wide joist centers: A #8 x 3/8 self-tapping screw can be used to join extended brackets together and create a rigid mount. To ensure a noise-free mount, crimp the bracket channels tightly around mounting brackets.



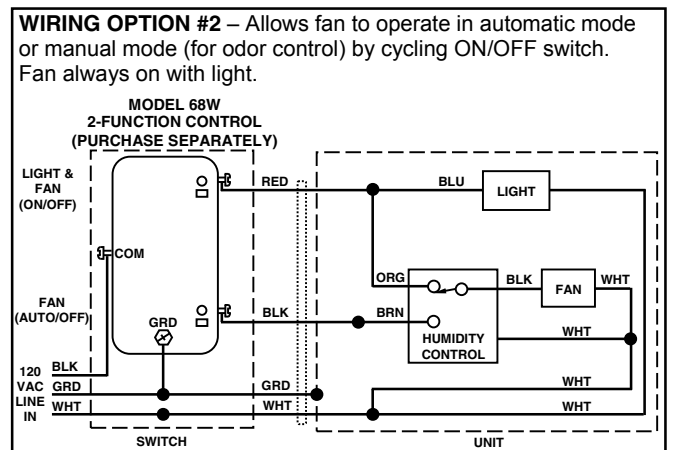
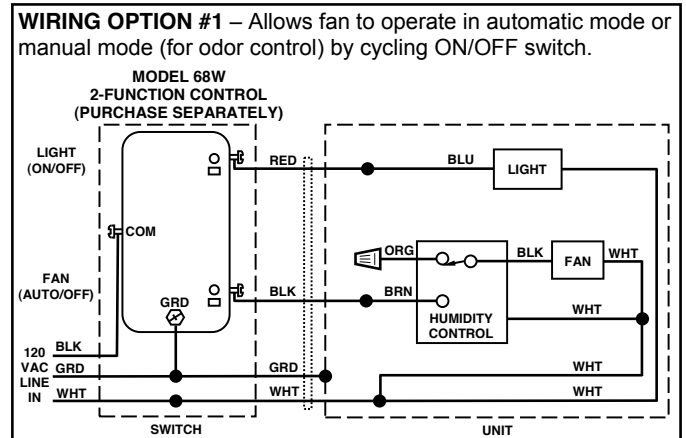
5. Attach damper/duct connector.

Snap the damper/duct connector onto housing. Make sure that tabs on the connector lock in housing slots. (Top of damper/duct connector will be flush with top of housing.) Install ductwork.



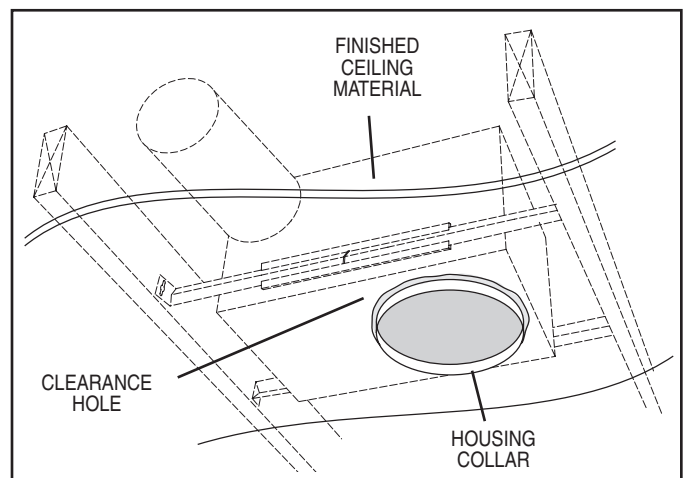
6. Choose power cable direction.

Remove wiring plate. When re-attached, the wiring plate allows the power cable to enter unit horizontally or vertically.



7. Connect wiring.

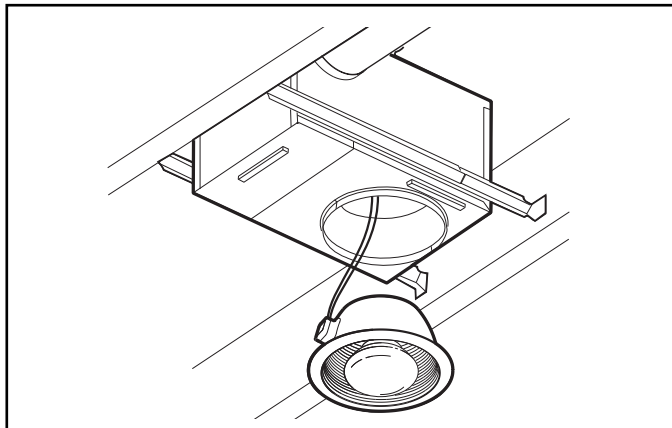
Unit can be wired from outside of housing as shown. Use UL approved connectors to wire per local codes.



8. Finish ceiling.

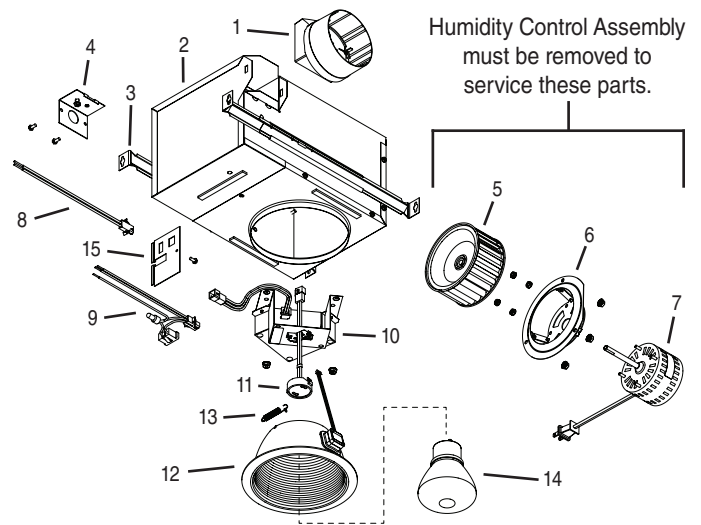
Cut an opening in finished ceiling material for housing collar.

SERVICE PARTS



9. Plug in wiring.

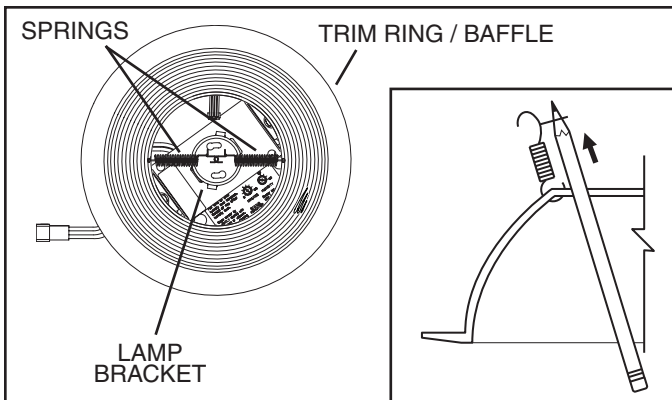
Plug wiring into the proper receptacles.



KEY NO.	PART NO.	DESCRIPTION
1	97014185	Damper / Duct Connector
2	97016382	Housing Assembly
3	98003036	Mounting Bracket (4 req.)
4	98005512	Wiring Adaptor Plate
5	99524804	Blower Wheel *
6	99524805	Motor Bracket / Venturi *
7	99080731	Motor *
	97020054	Motor / Motor Bracket Assembly (includes Key Nos. 6 & 7) *
8	99770141	Lamp Wire Harness
9	99770143	Main Wire Harness
10	97018868	Humidity Control Assy. (includes Lamp Bracket)
11	99770171	Harness, GU24 Socket
12	97018169	Trim Ring / Baffle with Springs & Humidity Sensor
13	99525160	Baffle Springs (2 req.)
14	99271448	Fluorescent Lamp
15	98010628	Electrical Box Cover

Order replacement parts by PART NO. - not by KEY NO.

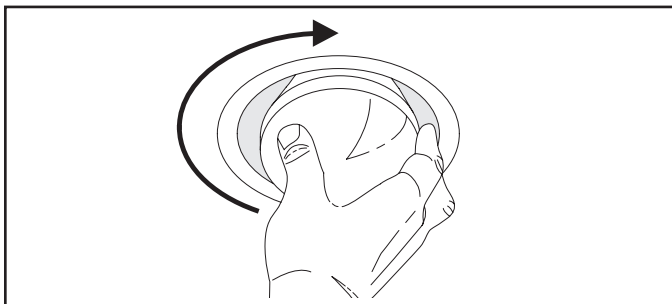
* Humidity Control Assembly must be removed to service these parts.



10. Attach trim ring / baffle to housing.

Remove the cardboard protector from inside the housing collar.

Use a pencil to insert one end of each spring into the holes on the lamp bracket. Center trim ring / baffle in ceiling opening.



11. Install bulb.



CAUTION - RISK OF FIRE: Use only R30, BR30, or PAR30 shaped, 16W compact fluorescent lamp with GU24 base (supplied). Replacement bulbs can be ordered from Broan if not available locally (see service parts list).



CAUTION: Twist bulb to install or remove.

WARRANTY

NuTone Ventilation Fan/Lights - Limited Warranty

WARRANTY PERIOD: NuTone warrants to the original consumer purchaser of its NuTone Ventilation Fan/light (the "Fan") that your Fan (excluding lamps/bulbs) will be materially free from defects in materials or workmanship for a period of three (3) years from the date of original purchase. The warranty on the lamps/bulbs provided with the Fan is one (1) year and does not cover lamp/bulb breakage. This warranty does not cover accessories, such as speed controls, that may be purchased separately and installed with the Fan.

The limited warranty period for replacement parts, and for Fans repaired or replaced under this limited warranty, shall continue for the remainder of the original warranty period.

THERE ARE NO OTHER WARRANTIES, EXPRESS OR IMPLIED, INCLUDING, BUT NOT LIMITED TO, IMPLIED WARRANTIES OF MERCHANTABILITY OR FITNESS FOR A PARTICULAR PURPOSE.

During this one-year period, Broan-NuTone will, at its option, repair or replace, without charge, any product or part which is found to be defective under normal use and service.

THIS WARRANTY DOES NOT EXTEND TO FLUORESCENT LAMP STARTERS AND TUBES. This warranty does not cover (a) normal maintenance and service or (b) any products or parts which have been subject to misuse, negligence, accident, improper maintenance or repair (other than by Broan-NuTone), faulty installation or installation contrary to recommended installation instructions.

The duration of an implied warranty is limited to the one-year period as specified for the express warranty. Some states do not allow limitation on how long an implied warranty lasts, so the above limitation may not apply to you.

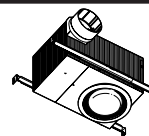
BROAN-NUTONE'S OBLIGATION TO REPAIR OR REPLACE, AT BROAN-NUTONE'S OPTION, SHALL BE THE PURCHASER'S SOLE AND EXCLUSIVE REMEDY UNDER THIS WARRANTY. BROAN-NUTONE SHALL NOT BE LIABLE FOR INCIDENTAL, CONSEQUENTIAL OR SPECIAL DAMAGES ARISING OUT OF OR IN CONNECTION WITH PRODUCT USE OR PERFORMANCE. Some states do not allow the exclusion or limitation of incidental or consequential damages, so the above limitation may not apply to you.

This warranty gives you specific legal rights, and you may also have other rights, which vary from state to state. This warranty supersedes all prior warranties.

To qualify for warranty service, you must (a) notify Broan-NuTone at the address or telephone number stated below, (b) give the model number and part identification and (c) describe the nature of any defect in the product or part. At the time of requesting warranty service, you must present evidence of the original purchase date.

Broan-NuTone LLC, 926 W. State Street, Hartford, Wisconsin 53027 www.nutone.com 888-336-3948
Broan-NuTone Canada, Inc., 1140 Tristar Drive, Mississauga, Ontario L5T 1H9 www.nutone.ca 877-896-1119

LAMPE FLUORESCENTE / VENTILATEUR ENCASTRÉ À DÉTECTEUR D'HUMIDITÉ



LIRE CES DIRECTIVES ET LES CONSERVER

AVERTISSEMENT

OBSERVEZ LES DIRECTIVES CI-DESSOUS AFIN DE RÉDUIRE LES RISQUES D'INCENDIE, DE CHOC ÉLECTRIQUE OU DE BLESSURES CORPORELLES :

- N'utilisez cet appareil que de la manière prévue par le fabricant. Si vous avez des questions, communiquez avec le fabricant à l'adresse ou au numéro de téléphone indiqués dans la garantie.
- Avant de procéder à l'entretien ou au nettoyage de l'appareil, coupez l'alimentation du panneau électrique et verrouillez l'interrupteur principal afin d'empêcher que le courant ne soit accidentellement rétabli. S'il est impossible de verrouiller l'interrupteur principal, fixez solidement un message d'avertissement, par exemple une étiquette, sur le panneau électrique.
- La pose de l'appareil et les travaux d'électricité doivent être effectués par des personnes qualifiées conformément à la réglementation en vigueur, notamment les normes de la construction ayant trait à la protection contre les incendies.
- Pour éviter les refoulements, l'apport d'air doit être suffisant pour brûler les gaz produits par les appareils à combustion et les évacuer dans le conduit de fumée (cheminée). Respectez les directives du fabricant de l'appareil de chauffage et les normes de sécurité, notamment celles publiées par la National Fire Protection Association (NFPA), l'American Society for Heating, Refrigeration and Air Conditioning Engineers (ASHRAE) et les codes des autorités locales.
- Veillez à ne pas endommager le câblage électrique ou d'autres équipements non apparents lors de la découpe ou du perçage du mur ou du plafond.
- Les ventilateurs canalisés doivent toujours rejeter l'air à l'extérieur.
- Ne jamais placer un interrupteur de sorte que l'on puisse l'atteindre d'une baignoire ou d'une douche.
- N'utilisez pas un gradateur pour commander la lumière de cet appareil.
- N'installez cet appareil que dans un plafond plat.
- À utiliser uniquement dans des installations non classées résistantes au feu.
- Ne pas utiliser dans un endroit équipé d'un système de traitement de l'air ambiant.
- Si cet appareil doit être installé au-dessus d'une enceinte de baignoire ou de douche, il doit comporter les mentions appropriées pour ces utilisations et doit être branché sur un circuit de dérivation protégé par un disjoncteur de mise à la terre.
- Ne pas installer dans un plafond isolé thermiquement d'une valeur supérieure à R60.
- Cet appareil doit être relié à une mise à la terre.

ATTENTION

- Pour ventilation générale uniquement. Ne pas utiliser cet appareil pour évacuer des matières ou des vapeurs dangereuses ou explosives.
- Pour ne pas endommager les roulements du moteur, déséquilibrer les pales ou les rendre bruyantes, utilisez le protecteur en carton afin de protéger l'appareil de la poussière de plâtre, de construction, etc.
- L'ampoule fluorescente utilisée avec ce produit tord dans la douille. **Ne tentez pas d'insérer ou de retirer l'ampoule en la poussant directement ou en le tirant vers le bas.**
- Veillez lire l'étiquette de spécifications du produit pour obtenir plus de renseignements, notamment sur les exigences.

FUNCTIONNEMENT

La lumière, le ventilateur et le contrôle d'humidité peuvent être commandés ensemble ou séparément à l'aide de commutateurs muraux multifonction.

- Utilisez un commutateur à 3 fonctions pour commander séparément la lumière, le ventilateur et le contrôle d'humidité.
- Utilisez un commutateur à 2 fonctions pour commander séparément la lumière et le contrôle d'humidité. Pour le fonctionnement du ventilateur consultez la section **MISE EN MARCHÉ MANUELLE AVEC ARRÊT DIFFÉRÉ** ci-dessous.
- Utilisez un commutateur à 2 fonctions pour commander séparément la lumière et le ventilateur. Branchez directement le contrôle d'humidité pour qu'il soit toujours activé.

Voir la section « Câblage » pour les différentes options de connexion.

Ne pas utiliser un gradateur pour commander la lumière, le ventilateur ou le contrôle d'humidité.

FUNCTIONNEMENT DU DÉTECTEUR

Ce ventilateur à détecteur d'humidité réagit à : (a) une hausse rapide à modérée de l'humidité et (b) à un taux d'humidité relative supérieur à un point de consigne fixé entre 50 % et 80 %. Les variables (a) et (b) sont fixées avec le réglage humidité « HUMIDITY ». Le ventilateur peut à l'occasion se mettre en marche lorsque les conditions ambiantes changent. Si le ventilateur réagit continuellement aux variations des conditions ambiantes, il peut être nécessaire de modifier le réglage humidité « HUMIDITY » (voir la section ci-dessous).

INDICATEUR D'ÉTAT

Cet indicateur doit être observé directement en mode normal, il clignote à toutes les 5 secondes. S'il clignote rapidement pendant 5 secondes puis s'éteint, vérifiez les connexions du détecteur sur l'anneau de garniture / déflecteur et le boîtier du ventilateur.

MISE EN MARCHÉ MANUELLE AVEC ARRÊT DIFFÉRÉ

Pour le contrôle des odeurs ou de la vapeur, le ventilateur peut être activé en tournant le commutateur mural, s'il y a un. Lorsque le ventilateur est mis en marche de cette façon, il reste en marche pendant la période réglée par la minuterie.

Pour actionner manuellement le ventilateur :

- Passer à l'étape 2 si le commutateur est déjà sur MARCHÉ; sinon, mettez-le sur MARCHÉ pour au moins 1 seconde.
- Placez le commutateur sur ARRÊT pour moins d'une seconde.
- Remettez le commutateur sur MARCHÉ et le ventilateur se mettra en marche.

RÉGLAGE DE L'HUMIDITÉ

L'humidité « HUMIDITY » est réglée à l'usine pour convenir à la plupart des douches. Si le ventilateur est installé pour une baignoire ou pour contrôler l'humidité, il se peut que le réglage humidité « HUMIDITY » ait besoin d'être diminué vers 50 %. Si la commande réagit trop souvent aux changements de conditions ambiantes, il se peut que le réglage humidité « HUMIDITY » ait besoin d'être réglé vers 80 %. Pour régler l'humidité « HUMIDITY » :

- Coupez le courant sur le panneau d'alimentation électrique.
- Enlevez l'ampoule.
- À travers l'anneau de garniture / déflecteur, repérez la fente pour vis de réglage de l'humidité « HUMIDITY ».
- À l'aide d'un petit tournevis à lame plate, tournez délicatement le réglage humidité « HUMIDITY » dans le sens horaire vers l'indication 50 % ou dans le sens antihoraire vers 80 %.

- Remettez l'ampoule.
- Rétablissez le courant et vérifiez le fonctionnement de l'appareil en faisant couler la douche ou une autre source d'humidité jusqu'à ce que le ventilateur démarre.
- Répétez les étapes ci-dessus au besoin.

RÉGLAGE DE LA MINUTERIE

Ce ventilateur à détecteur d'humidité comporte une minuterie. L'utilisateur peut la régler pour une durée de 5 à 60 minutes mais elle est réglée à l'usine à 20 minutes. La minuterie détermine combien de temps le ventilateur reste en marche (a) après une hausse de l'humidité et (b) un taux d'humidité tous deux inférieurs au degré d'humidité « HUMIDITY » réglé par l'utilisateur ou après que celui-ci ait tourné le commutateur mural.

Pour régler la minuterie :

- Coupez le courant sur le panneau d'alimentation électrique.
- Enlevez l'ampoule.
- À travers l'anneau de garniture / déflecteur, repérez la fente pour vis de réglage des « MINUTES ».
- À l'aide d'un petit tournevis à lame plate, tournez délicatement le réglage des « MINUTES » dans le sens horaire pour accroître la durée ou dans le sens antihoraire pour la diminuer.
- Remettez l'ampoule.
- Rétablissez le courant et vérifiez le fonctionnement de l'appareil en tournant le commutateur mural, tel qu'indiqué sous « MISE EN MARCHÉ MANUELLE AVEC ARRÊT DIFFÉRÉ » ou en ouvrant une source d'humidité jusqu'à ce que le ventilateur démarre.
- Vérifiez le réglage de la minuterie avec une montre ou une horloge après avoir fermé la source d'humidité ouverte à l'étape 6.
- Répétez les étapes ci-dessus au besoin.

NETTOYAGE ET ENTRETIEN

Pour nettoyer l'anneau de garniture / déflecteur : Utilisez un aspirateur avec une brosse souple ou enlevez l'anneau de garniture / déflecteur et nettoyez-le avec un chiffon doux.

NETTOYAGE DU DÉTECTEUR

Le détecteur d'humidité est installé dans l'anneau de garniture / déflecteur. Le détecteur sera plus fiable s'il est nettoyé comme suit de temps à autre :

- Coupez le courant au panneau électrique.
- Enlevez l'anneau de garniture / déflecteur. À l'aide d'un chiffon à épousseter, d'une brosse à dents propre ou d'un aspirateur, nettoyez délicatement le détecteur et la grille. **N'UTILISEZ PAS DE CHIFFONS ABRASIFS, DE LAINE DACIER NI DE POUDRE À RÉCURER.**
- N'UTILISEZ PAS de nettoyant en vaporisateur, ni de solvant ni eau sur le détecteur ou à proximité!

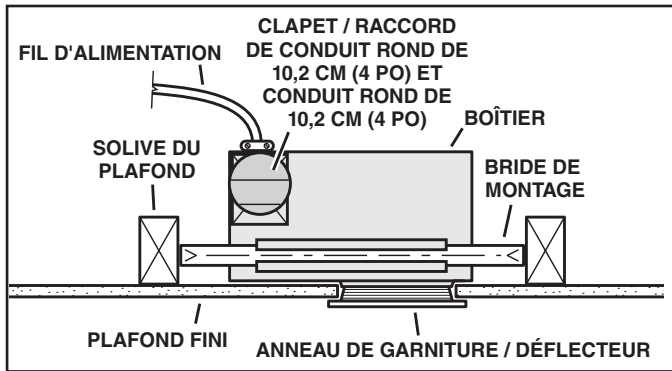
Pour nettoyer l'intérieur du boîtier : Enlevez l'anneau de garniture / déflecteur et nettoyez l'intérieur avec un aspirateur muni d'une brosse souple.

Le moteur est lubrifié en permanence. Il ne doit pas être huilé ni démonté.

Consultez la section « Pièces de rechange » pour la liste et les illustrations des pièces.

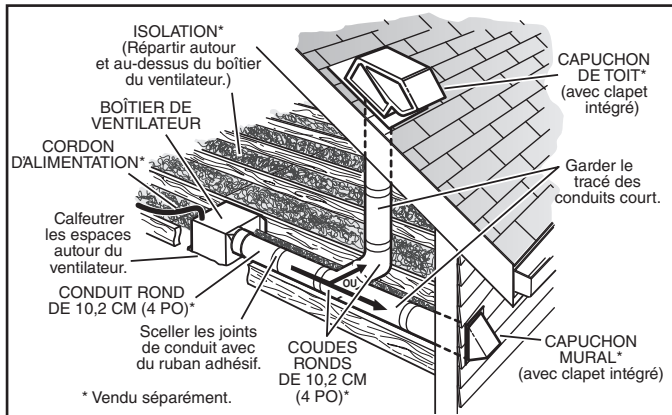
Installateur : Veuillez remettre ce manuel au propriétaire.

PLANIFICATION DE L'INSTALLATION



Installation type

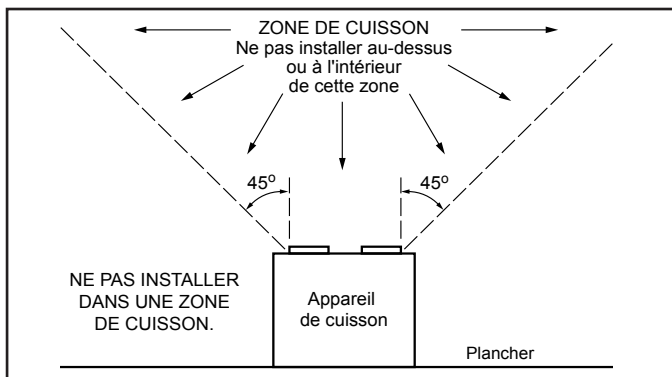
L'appareil peut être installé partout entre les solives du plafond à l'aide des brides de montage incluses. Ne l'installez que dans un plafond plat.



Les conduits allant de ce ventilateur jusqu'à l'extérieur de l'habitation ont une grande influence sur le débit d'air, le bruit du ventilateur et sa consommation d'énergie. Pour obtenir le meilleur rendement, utilisez les conduits les plus courts et les plus droits que possible et évitez d'utiliser des conduits plus petits que ceux recommandés. L'isolation des conduits peut contribuer à réduire les pertes d'énergie et éviter la prolifération de moisissures. Les ventilateurs installés sur d'anciens conduits pourraient ne pas produire leur débit d'air nominal.

Utilisez un capuchon de toit ou un capuchon mural muni d'un clapet intégré afin de réduire les refoulements d'air.

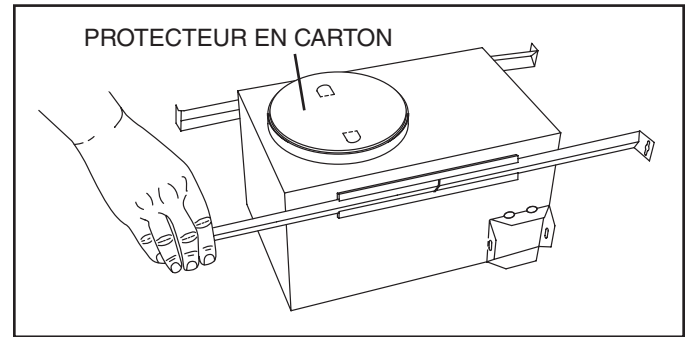
Prévoyez l'alimentation de l'appareil avec la tension adéquate et le câble approprié.



Ne pas installer dans une zone de cuisson.

Cet appareil ne doit pas être installé au-dessus ou à l'intérieur de la zone de cuisson illustrée.

INSTALLATION

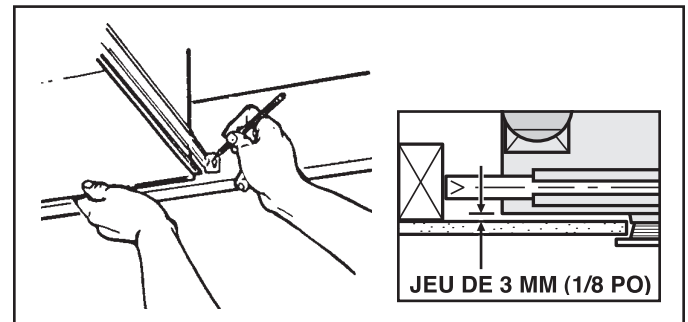


1. Installez les brides de montage.

Glissez les brides de montage réglables dans les rainures du boîtier.

Courbez les onglets du protecteur en carton et insérez-le dans l'ouverture du boîtier.

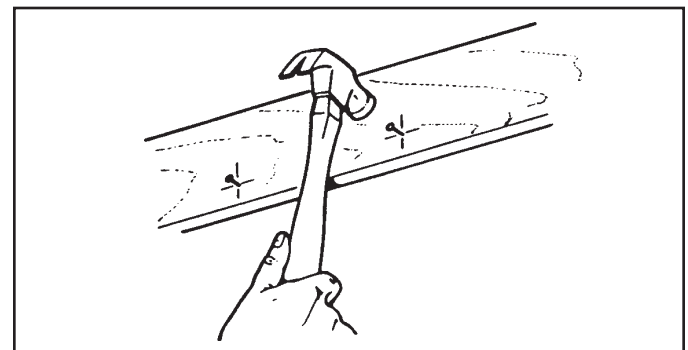
REMARQUE : Le protecteur en carton protège l'intérieur du boîtier de la poussière de plâtre et de construction. Ne l'enlevez pas tant que la construction n'est pas terminée.



2. Marquez la position de montage.

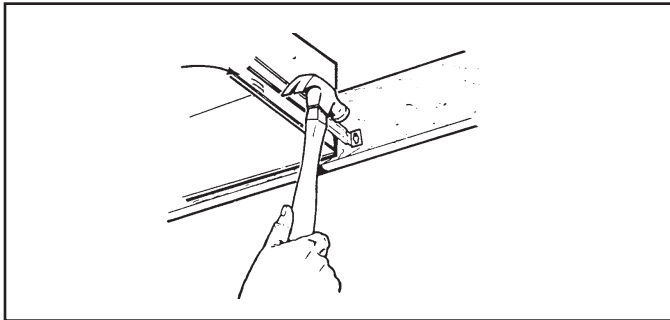
Placez l'unité entre les solives et alignez les brides de montage.

IMPORTANT : Placez les brides de manière à avoir un jeu de 3 mm (1/8 po) entre le bas du boîtier et le matériau du plafond. Marquez la partie supérieure du trou de serrure de chaque bride.



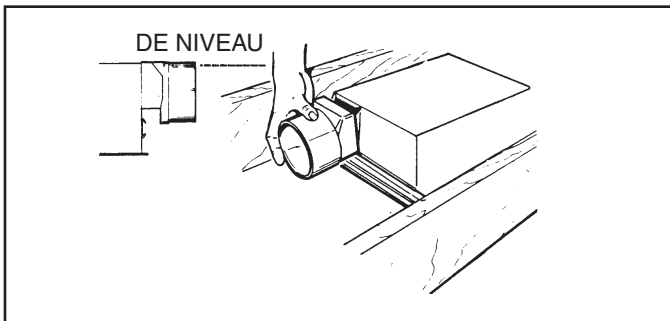
3. Plantez les clous.

Enlevez temporairement l'unité et enfoncez partiellement un clou sur chacune des quatre marques tracées.



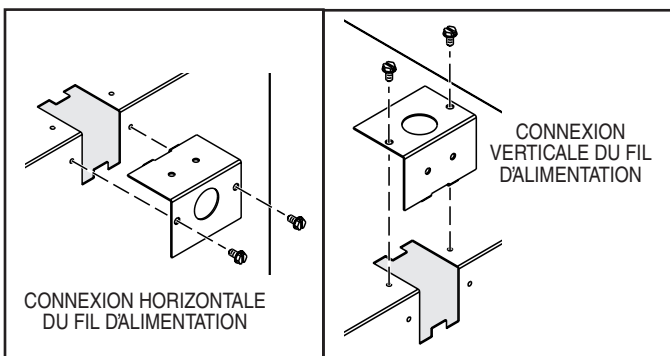
4. Suspendez et fixez le boîtier.

Suspendez l'unité aux clous. Vérifiez qu'il y a bien un jeu de 3 mm (1/8 po) entre le bas du boîtier et le matériau du plafond. Finissez d'enfoncer les clous. Si les solives sont très espacées : utilisez une vis à tôle n° 8 x 3/8 pour réunir les brides allongées et solidifier le montage. Pour éviter les bruits de vibration, pincez les brides de montage dans les rainures où elles sont insérées.



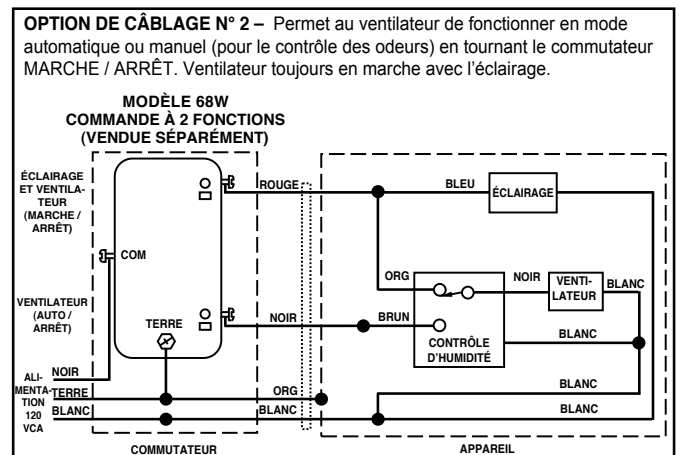
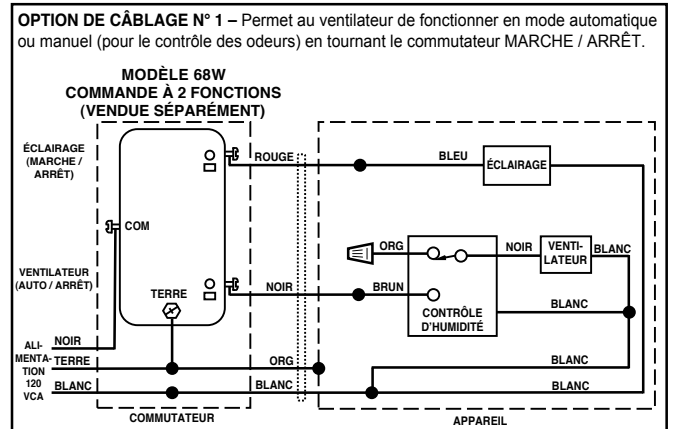
5. Fixez le clapet / raccord de conduit.

Enclenchez le clapet / raccord de conduit sur le boîtier. Assurez-vous que les ergots du raccord sont correctement bloqués dans les fentes du boîtier. (Le dessus du clapet / raccord doit être de niveau avec le dessus du boîtier.) Installez les conduits.



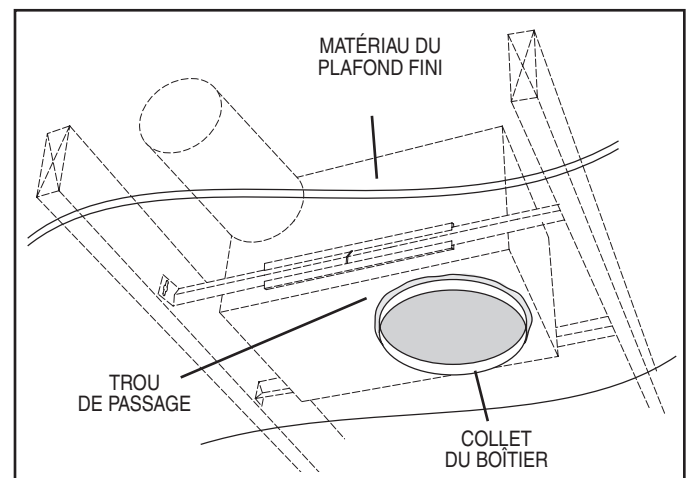
6. Choisissez la direction du fil d'alimentation électrique.

Retirez la plaque de câblage. Une fois reposée, la plaque de câblage permet au fil d'alimentation d'entrer horizontalement ou verticalement dans l'unité.



7. Branchez les fils.

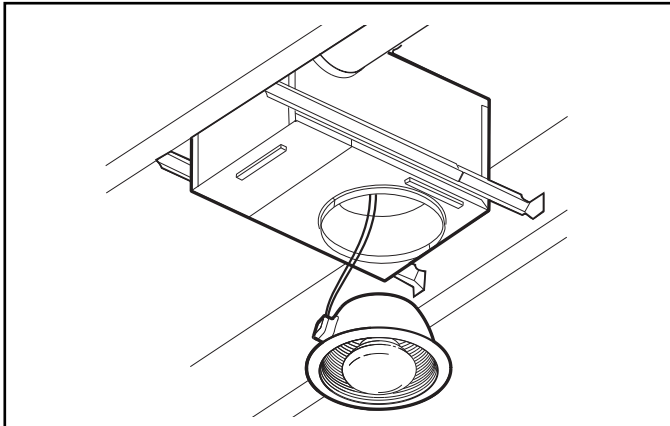
Le câblage peut être effectué à l'extérieur du boîtier, tel qu'illustré. Utilisez des connecteurs homologués UL pour effectuer le câblage conformément aux codes locaux.



8. Finissez la surface du plafond.

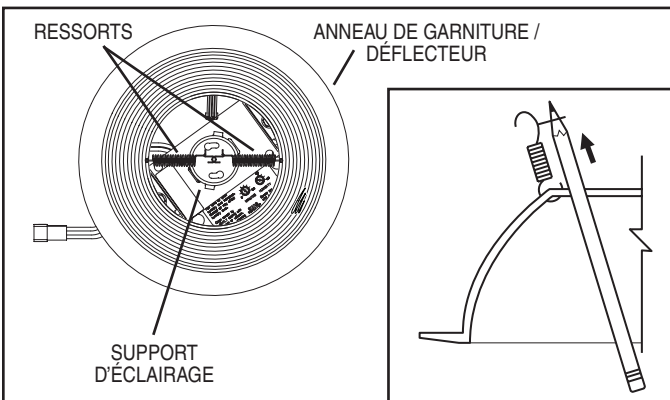
Découpez une ouverture dans le plafond fini pour le collet du boîtier.

PIÈCES DE RECHANGE



9. Branchez les fils.

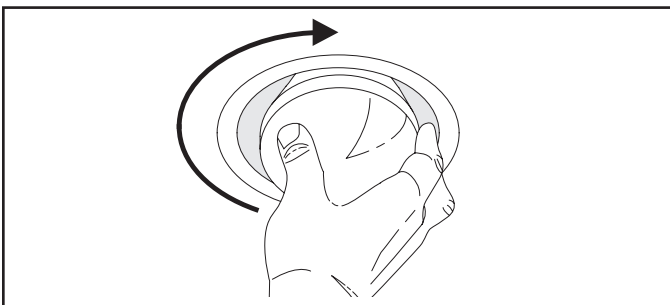
Branchez les fils dans les prises appropriées.



10. Fixez l'anneau de garniture / déflecteur au boîtier.

Enlevez le protecteur en carton à l'intérieur du collet du boîtier.

À l'aide d'un crayon, insérez une extrémité de chaque ressort dans les trous du support d'éclairage. Centrez l'anneau de garniture / déflecteur dans l'ouverture du plafond.



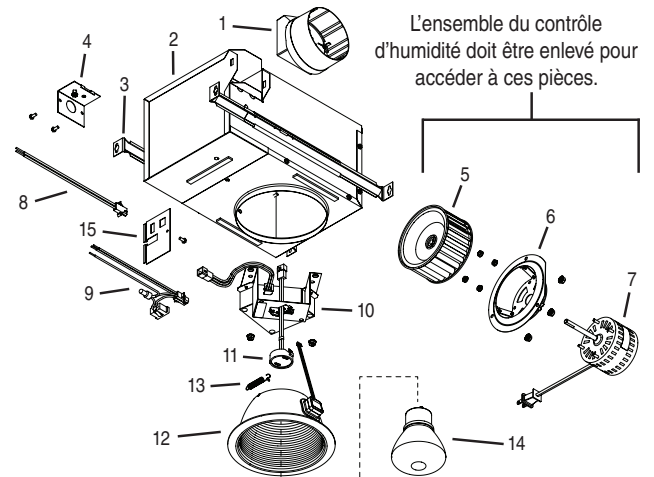
11. Installez l'ampoule.



ATTENTION - RISQUE D'INCENDIE : N'utilisez qu'une ampoule fluorescente compacte 16W de forme R30, BR30, ou PAR30 avec culot GU24 (fournie). Vous pouvez commander des ampoules chez Broan si elles ne sont pas vendues localement (voir la liste des pièces de rechange).



ATTENTION : Tournez pas l'ampoule pour l'installer ou l'enlever.



REPÈRE	N° DE PIÈCE	DESCRIPTION
1	97014185	Clapet / raccord de conduit
2	97016382	Ensemble de boîtier
3	98003036	Bride de montage (4 req.)
4	98005512	Plaque d'adaptateur de câblage
5	99524804	Roue à ailettes*
6	99524805	Support de moteur / venturi *
7	99080731	Moteur *
	97020054	Ensemble moteur / support de moteur (comprend repères n° 6 et 7) *
8	99770141	Connecteur d'éclairage
9	99770143	Connecteur principal
10	97018868	Ensemble de contrôle d'humidité (comprend le support d'éclairage)
11	99770171	Connecteur, douille de GU24
12	97018169	Anneau de garniture / déflecteur avec ressorts et détecteur d'humidité
13	99525160	Ressorts de clapet (2 req.)
14	99271448	Ampoule fluorescente
15	98010628	Couvercle du boîtier électrique

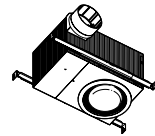
Veuillez commander les pièces par N° PIÈCE - et non par N° REPÈRE.

* L'ensemble du contrôle d'humidité doit être enlevé pour accéder à ces pièces.

GARANTIE

NuTone Ventilation Ventilateur / Lumières - Garantie limitée
 PÉRIODE DE GARANTIE : NuTone garantit à l'acheteur original de son Ventilateur d'aération/éclairage NuTone (le « ventilateur ») qu'il est libre de tout vice de matériau ou de fabrication (excluant les ampoules) pour une période de trois (3) ans à compter de la date d'achat originale. La garantie sur les ampoules fournies avec le ventilateur est de un (1) an et ne couvre pas leur bris. Cette garantie ne couvre pas les accessoires, telles que les commandes de vitesse, qui peuvent être achetées séparément et être installés avec le ventilateur.
 La période de garantie limitée pour les pièces de rechange et pour les ventilateurs réparés ou remplacés en vertu de la présente garantie se poursuivra pendant le reste de la période de garantie originale.
 CETTE GARANTIE NE COMPORTE AUCUNE AUTRE GARANTIE, EXPRESSE OU TACITE, Y COMPRIS, MAIS SANS S'Y LIMITER, LES GARANTIES TACITES DE VALEUR MARCHANDE OU D'ADAPTATION À UN USAGE PARTICULIER.
 Durant cette période de un an, Broan-NuTone réparera ou remplacera gratuitement, à sa discrétion, tout produit ou toute pièce jugés défectueux dans des conditions normales d'utilisation.
 CETTE GARANTIE NE S'APPLIQUE PAS AUX TUBES FLUORESCENTS ET AUX DÉMARREURS, NI AUX AMPOULES HALOGENES OU INCANDESCENTES, FUSIBLES, FILTRES, CONDUITS, CAPUCHONS DE TOIT, CAPUCHONS MURAUX ET AUTRES ACCESSOIRES POUR CONDUITS. Cette garantie ne couvre pas (a) les frais d'entretien ou de service normaux ni (b) tout produit ou toute pièce soumis à un abus, une négligence, un accident, un entretien ou une réparation inadéquats (autres que ceux effectués par Broan-NuTone), une mauvaise installation ou une installation contraire aux instructions recommandées.
 La durée de toute garantie tacite est limitée à la période de un an stipulée pour la garantie expresse. Certains États ou provinces interdisant de limiter la durée d'une garantie tacite, la limitation ci-dessus peut ne pas s'appliquer à votre situation.
 L'OBLIGATION POUR BROAN-NUTONE DE RÉPARER OU DE REMPLACER LE PRODUIT, À SA DISCRÉTION, CONSTITUE LE SEUL RECOURS DE L'ACHETEUR EN VERTU DE LA PRÉSENTE GARANTIE. BROAN-NUTONE NE PEUT ÊTRE TENUE RESPONSABLE DES DOMMAGES INDIRECTS OU CONSÉCUTIFS NI DES DOMMAGES-INTERETS PARTICULIERS DÉCOULANT DE L'UTILISATION OU DU RENDEMENT DU PRODUIT. Certains États ou provinces ne permettant pas la limitation ou l'exclusion des dommages indirects ou consécutifs, la limitation ci-dessus peut ne pas s'appliquer à votre situation.
 La présente garantie vous confère des droits spécifiques reconnus par la loi. D'autres droits pourraient également vous être accordés selon la législation locale en vigueur. La présente garantie remplace toutes les autres garanties précédentes.
 Pour vous prévaloir de cette garantie, vous devez (a) aviser Broan-NuTone à l'adresse ou au numéro de téléphone indiqués ci-dessous, (b) donner le numéro de modèle du produit et le numéro d'identification de la pièce et (c) décrire la nature de la défectuosité du produit ou de la pièce. Lors de votre demande de garantie, vous devez présenter une preuve de la date d'achat originale.
 Broan-NuTone LLC, 926 W. State Street, Hartford, Wisconsin 53027 www.nutone.com 888-336-3948
 Broan-NuTone Canada, Inc., 1140 Tristar Drive, Mississauga, Ontario L5T 1H9 www.nutone.ca 877-896-1119

VENTILADOR EMPOTRADO CON SENSOR DE HUMEDAD Y LÁMPARA FLUORESCENTE



LEA Y CONSERVE ESTAS INSTRUCCIONES

ADVERTENCIA

PARA REDUCIR EL RIESGO DE INCENDIOS, DESCARGAS ELÉCTRICAS O LESIONES PERSONALES, OBSERVE LAS SIGUIENTES PRECAUCIONES:

- Use la unidad sólo de la manera indicada por el fabricante. Si tiene preguntas, comuníquese con el fabricante a la dirección o al número telefónico que se incluye en la garantía.
- Antes de dar servicio a la unidad o de limpiarla, interrumpa el suministro eléctrico en el panel de servicio y bloquee los medios de desconexión del servicio para evitar que la electricidad se reanude accidentalmente. Cuando no sea posible bloquear los medios de desconexión del servicio, fije firmemente una señal de advertencia (como una etiqueta) en un lugar visible del panel de servicio.
- Una o más personas calificadas deben realizar el trabajo de instalación y el cableado eléctrico, de acuerdo con todos los códigos y normas correspondientes, incluidos los códigos y normas de construcción específicos de protección contra incendios.
- Se necesita suficiente aire para que se lleve a cabo una combustión y una extracción adecuadas de los gases a través del tubo de humos (chimenea) del equipo quemador de combustible, con el fin de evitar el contratiempo. Siga las directrices y las normas de seguridad del fabricante del equipo de calentamiento, como las publicadas por la Asociación Nacional de Protección contra Incendios (National Fire Protection Association, NFPA), la Sociedad Americana de Ingenieros de Calefacción, Refrigeración y Aire Acondicionado (American Society for Heating, Refrigeration and Air Conditioning Engineers, ASHRAE) y las autoridades normativas locales.
- Al cortar o perforar a través de la pared o del techo, tenga cuidado de no dañar el cableado eléctrico ni otros servicios ocultos.
- Los ventiladores en conductos siempre deben ventearse hacia el exterior.
- Nunca coloque el interruptor en un lugar en donde se pueda alcanzar desde la bañera o ducha.
- No utilice un reductor de intensidad para hacer funcionar la luz en esta unidad.
- Instale esta unidad únicamente en un cielo raso plano.
- Para usarse únicamente en instalaciones sin clasificación contra incendios.
- No se debe usar en espacios que manejen aire ambiental.
- Si se va a instalar esta unidad sobre una tina o ducha, debe estar 3marcada como apropiada para esta aplicación y conectarse a un GFCI (interruptor accionado por pérdida de conexión a tierra) en un circuito de derivación protegido.
- No instale en un techo aislado termalmente a un valor mayor que R60.
- Esta unidad debe estar conectada a tierra.

PRECAUCIÓN

- Sólo para usarse como medio de ventilación general. No debe usarse para la extracción de materiales ni vapores peligrosos o explosivos.
- Para evitar daños a los cojinetes del motor y rotores ruidosos y/o no equilibrados, use el protector de cartón (incluido) para mantener alejados de la unidad de accionamiento el rocío de yeso, polvo de la construcción, etc.
- La bombilla fluorescente usada en este producto se retuerce en el zócalo de la bombilla. **No trate de insertar o extraer bombilla empujándola hacia dentro o tirando de ella hacia abajo.**
- Lea la etiqueta de especificaciones que tiene el producto para ver información y requisitos adicionales.

FUNCIONAMIENTO

La lámpara, el ventilador y el control de humedad deben funcionar en conjunto o individualmente, usando controles de pared en un interruptor de funciones múltiples.

- Use un control de 3 funciones para activar la lámpara, el ventilador y el control de humedad de manera independiente.
- Use un control de 2 funciones para activar la lámpara y el control de humedad de manera independiente. Si desea ver el funcionamiento del ventilador, consulte la sección ENCENDIDO MANUAL CON TIEMPO DE APAGADO, más adelante.
- Use un control de 2 funciones para activar la lámpara y el ventilador de manera independiente. Cablee directo el control de humedad para garantizar que el control de humedad siempre esté encendido.

En la sección "Conexión eléctrica" se describen varias opciones de cableado.

No utilice un control reductor de intensidad para hacer funcionar el ventilador, el control de humedad o la lámpara.

OPERACIÓN DEL SENSOR

Este ventilador detector de humedad responde ante: (a) incrementos de humedad rápidos a moderados, y (b) humedad superior a un punto de referencia de humedad relativa de 50% a 80%. Las opciones (a) y (b) se configuran con el ajuste humedad "HUMIDITY". Ocasionalmente se puede encender el ventilador cuando cambian las condiciones ambientales. Si el ventilador responde continuamente a las condiciones ambientales cambiantes, es posible que se requiera ajustar la humedad "HUMIDITY" (vea la sección a continuación).

INDICADOR DE ESTADO

Para el control de olores o vapores, el ventilador puede activarse ciclando el interruptor montado en la pared, si se tiene instalado. Una vez que se encienda el ventilador de esta manera, se mantendrá prendido durante el periodo establecido en el temporizador.

MANUAL CON TIEMPO DE APAGADO

Para control de olores o vapores, el ventilador puede activarse ciclando el interruptor montado en la pared, si se tiene instalado. Una vez que se enciende el ventilador de esta manera, se mantendrá encendido durante el tiempo establecido del temporizador.

Para energizar manualmente el ventilador:

- Vaya al Paso 2 si el interruptor ya está activado; de otra manera, active el interruptor por más de 1 segundo.
- Apague por menos de 1 segundo.
- Vuelva a activar y el ventilador se encenderá.

AJUSTE DE LA HUMEDAD

La humedad "HUMIDITY" viene ajustada de fábrica para la mayoría de las aplicaciones de regadera. Si el ventilador se encuentra en el área de la tina o se está usando para el control de la humedad, es posible que se necesite disminuir el ajuste de humedad "HUMIDITY" a 50%. Si el control está respondiendo con demasiada frecuencia a condiciones ambientales cambiantes, quizás sea necesario ajustar la humedad "HUMIDITY" a 80%. Para ajustar la humedad "HUMIDITY":

- Apague la energía en el panel de servicio eléctrico.
- Quite la bombilla.
- A través del anillo/deflector, encuentre la ranura para el destornillador de la humedad "HUMIDITY".
- Usando un destornillador pequeño de punta plana, gire cuidadosamente el ajuste de humedad "HUMIDITY" a la derecha hacia 50% o a la izquierda hacia 80%.
- Reinstale la bombilla.

- Suministre energía y revise el funcionamiento abriendo la regadera u otra fuente de humedad hasta que el ventilador se encienda.
- Repita los pasos anteriores si es necesario.

AJUSTE DEL TEMPORIZADOR

Este ventilador con sensor de humedad tiene un temporizador que el usuario puede ajustar de 5 a 60 minutos; está configurado de fábrica en 20 minutos. El temporizador controla el tiempo en que se mantiene encendido el ventilador (a) después de un aumento en la humedad, y (b) si el nivel de humedad está por debajo del ajuste de humedad "HUMIDITY" realizado por el usuario, o después de que se activó al ciclar el interruptor de encendido.

Para ajustar el temporizador:

- Desconecte la energía en el panel de servicio eléctrico.
- Quite la bombilla.
- A través del anillo/deflector, encuentre la ranura para el destornillador de los minutos "MINUTES".
- Usando un destornillador pequeño de punta plana, gire cuidadosamente el ajuste de los minutos "MINUTES" a la derecha para aumentar el tiempo o a la izquierda para reducirlo.
- Reinstale la bombilla.
- Suministre energía y revise la operación ciclando el interruptor de alimentación de acuerdo con las instrucciones contenidas en la sección "ENCENDIDO MANUAL CON APAGADO PROGRAMADO" o encendiendo una fuente de humedad hasta que el ventilador se prenda.
- Revise el ajuste del temporizador con un reloj después de apagar la fuente de humedad, si la encendió en el Paso 6.
- Repita los pasos anteriores si es necesario.

LIMPIEZA Y MANTENIMIENTO

Para limpiar el anillo/deflector: Límpielo con una aspiradora que tenga un cepillo suave como accesorio. También puede sacar el anillo/deflector y limpiarlo con un trapo suave.

LIMPIEZA DEL SENSOR

El sensor de humedad está montado en anillo/deflector. El funcionamiento del sensor será más confiable si se limpia ocasionalmente. Para ello, haga lo siguiente:

- Desconecte la energía en la entrada de servicio.
- Quite el anillo/deflector. Limpie el sensor y la rejilla con un paño sacudidor seco o un cepillo de dientes limpio, o aspirelos ligeramente. **NO USE PANOS ABRASIVOS, ALMOHADILLAS DE LANA DE ACERO NI POLVOS ABRASIVOS.**
- ¡NO USE sprays limpiadores, solventes ni agua en el sensor o cerca del mismo!

Para limpiar el interior de la cubierta: Saque el anillo/deflector y aspire el interior de la cubierta con una aspiradora que tenga un cepillo suave como accesorio.

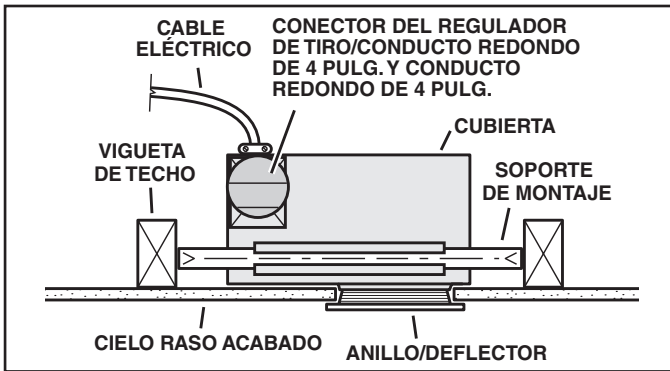
El motor está permanentemente lubricado. No lubrique ni desarme el motor.

En la sección "Piezas de repuesto" se encuentra una lista con ilustraciones de tales piezas.

Aviso al instalador: Deje este manual con el dueño de la casa.

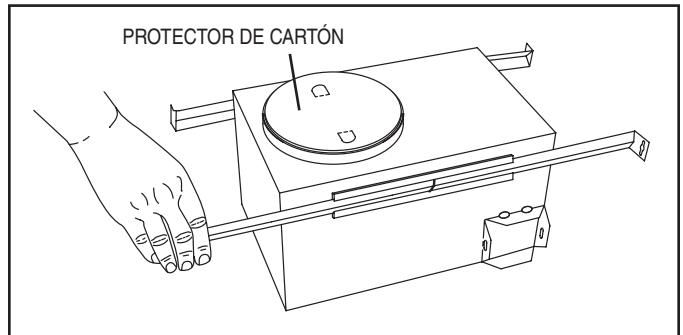
PLANEACIÓN DE LA INSTALACIÓN

INSTALACIÓN



Instalación típica

Esta unidad se puede instalar en cualquier lugar entre las vigas del cielo raso usando los soportes de montaje que se proporcionan. Instale únicamente en un cielo raso plano.

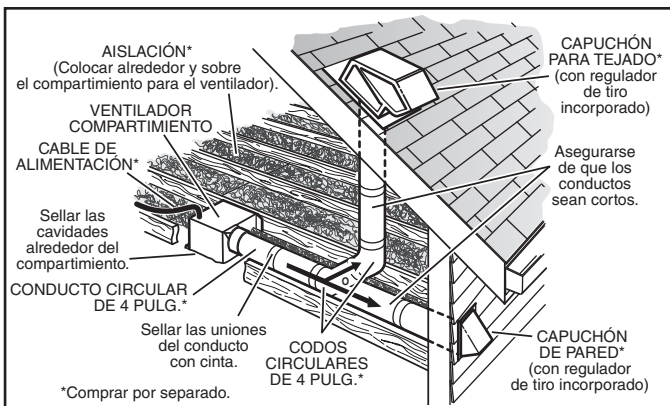


1. Instale los soportes de montaje.

Deslice los soportes de montaje ajustables en los canales del soporte de la cubierta.

Doble las lengüetas en el protector de cartón e inserte el protector en la abertura de la cubierta.

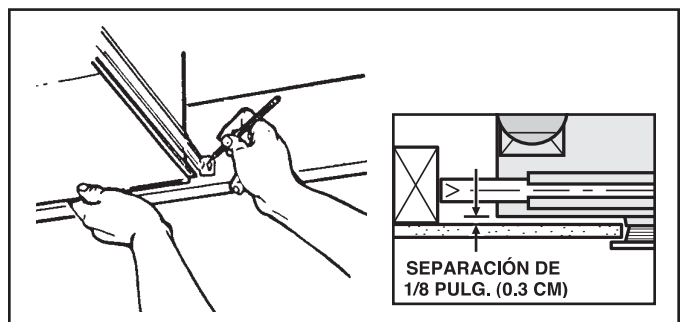
NOTA: El protector de cartón protege el interior de la cubierta contra el rocío de yeso y el polvo de la construcción. No lo quite sino hasta que la construcción esté completa.



Los conductos desde este ventilador hacia el exterior del edificio tienen un gran efecto sobre el flujo de aire, el ruido y el uso de energía del ventilador. Utilice el tramo de conductos más corto y recto posible para obtener un desempeño óptimo y evite instalar el ventilador con conductos menores que los recomendados. El aislamiento alrededor de los conductos puede reducir la pérdida de energía e inhibir el desarrollo de moho. Los ventiladores instalados en conductos existentes podrían no obtener el flujo de aire nominal.

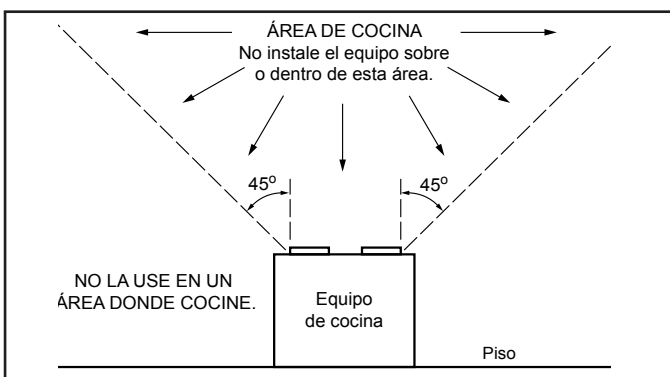
Instale una tapa de techo o de pared que tenga un regulador de tiro integrado, a fin de reducir los contratiros.

Alimente la unidad con el voltaje de línea y el cable alimentador apropiados.



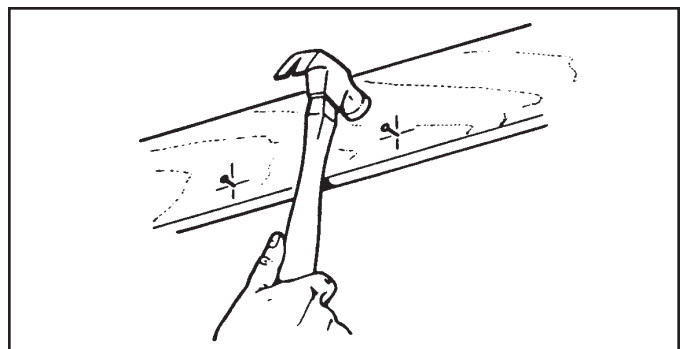
2. Marque el sitio de montaje.

Coloque la unidad entre las vigas y extienda los soportes de montaje. **IMPORTANTE: Coloque los soportes de tal manera que exista una separación de 1/8 pulg. (0.3 cm) entre la parte inferior de la cubierta y el material del cielo raso.** Marque la parte superior de la ranura tipo bocallave en los cuatro soportes de montaje.



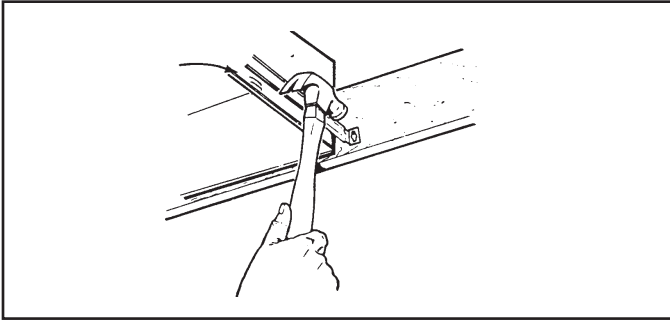
No instale el equipo en un área donde cocine.

No se debe instalar la unidad sobre el área donde cocine mostrada ni dentro de ella.



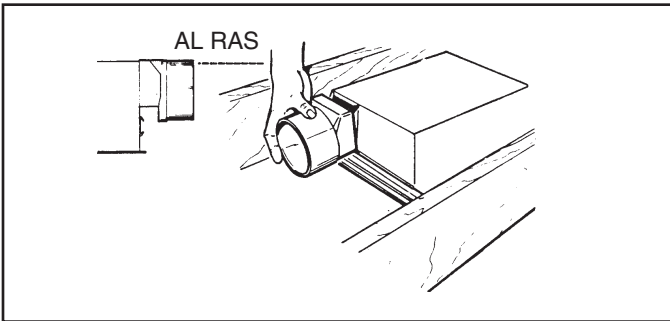
3. Martille los clavos.

Quite temporalmente la unidad y clave parcialmente los clavos en las vigas en los cuatro lugares marcados.



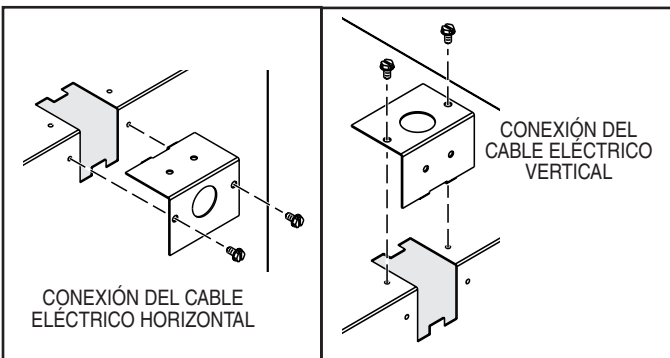
4. Cuelgue la unidad y asegúrela.

Cuelgue la unidad de los clavos. Revise para asegurarse de que exista una separación de 1/8 pulg. (0.3 cm) entre la parte inferior de la cubierta y el material del cielo raso. Clave los clavos de manera que queden bien ajustados. Para centros de vigas anchas: se puede usar un tornillo autorroscante #8 x 3/8 para unir entre sí los soportes extendidos y crear un montaje rígido. Para lograr un montaje silencioso, doble los canales del soporte ajustadamente alrededor de los soportes de montaje.



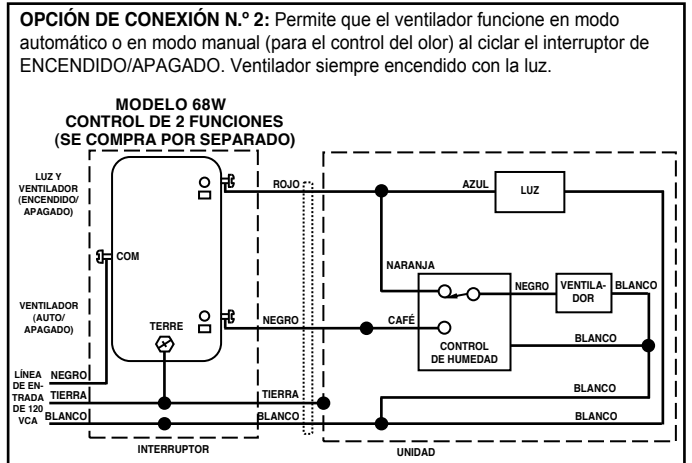
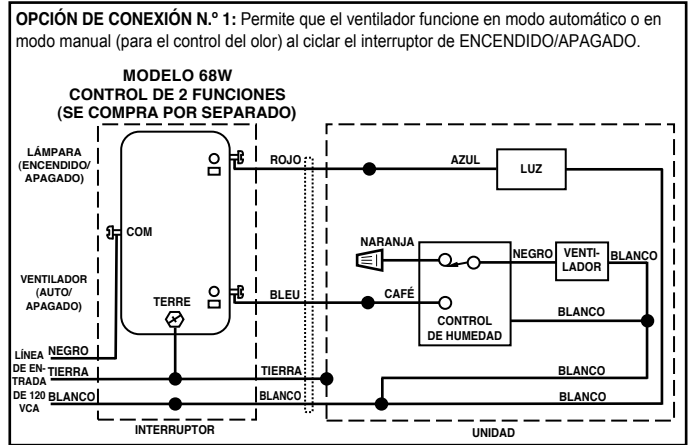
5. Acople el conector del regulador de tiro/conducto.

Conecte a presión el conector del regulador de tiro/conducto en la cubierta. Asegúrese de que las lengüetas del conector queden fijas en las ranuras de la cubierta. (La parte superior del conector del regulador de tiro/conducto quedará al ras con la parte superior de la cubierta.) Instale los conductos.



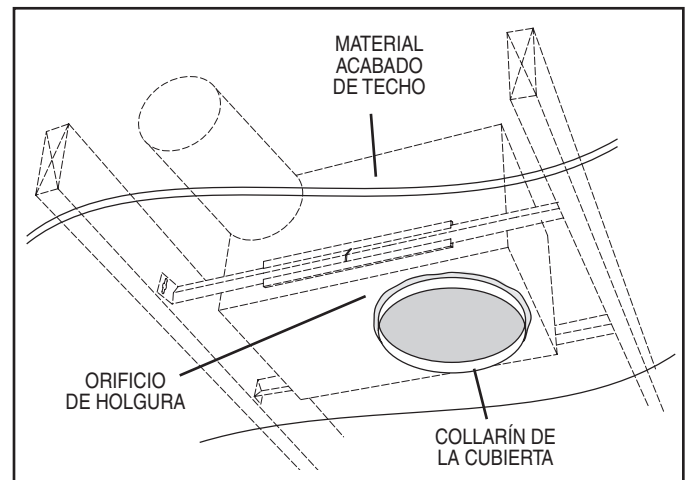
6. Elija la dirección del cable eléctrico.

Quite la placa de cableado. Una vez reinstalada, la placa de cableado permite al cable eléctrico entrar a la unidad en sentido horizontal o vertical.



7. Conecte el cableado.

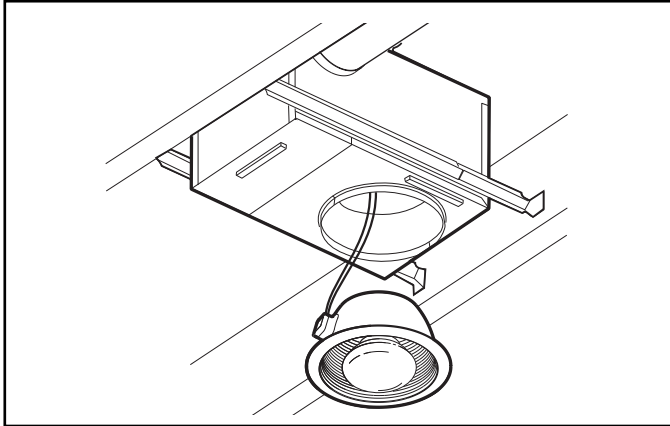
El cableado de la unidad puede hacerse desde afuera de la cubierta, tal como se muestra. Realice el cableado con conectores aprobados por UL y en cumplimiento de los códigos locales.



8. Termine el techo.

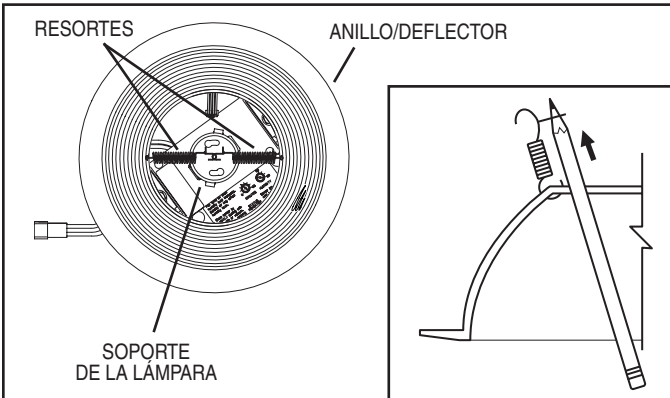
Corte una abertura en el cielo raso terminado para el collarín de la cubierta.

PIEZAS DE SERVICIO



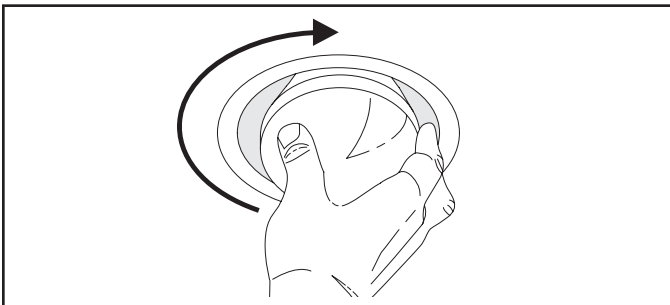
9. Conecte el cableado.

Enchufe las conexiones en los receptáculos adecuados.



10. Acople el anillo/deflector a la cubierta.

Quite el protector de cartón del interior del collar de la cubierta. Utilice un lápiz para insertar un extremo de cada resorte en los agujeros que están en el soporte de la lámpara. Centre el anillo/deflector en la abertura del cielo raso.



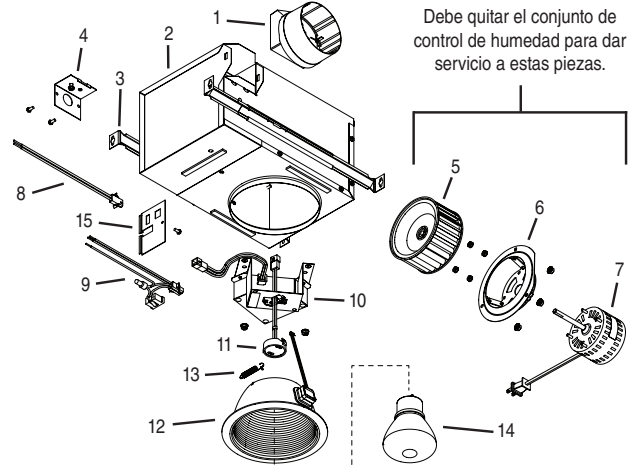
11. Instale la bombilla.



PRECAUCIÓN: RIESGO DE INCENDIO. Utilice únicamente una lámpara fluorescente de 16 W y forma R30, BR30, o PAR30 con base GU24 (suministrada). Las bombillas de repuesto pueden obtenerse a través de Broan, en caso de que no puedan conseguirse en un comercio de la localidad (vea la lista de piezas de servicio).



PRECAUCIÓN: Gire la bombilla para instalarla o para sacarla.



Debe quitar el conjunto de control de humedad para dar servicio a estas piezas.

CLAVE N.º	PIEZA N.º	DESCRIPCIÓN
1	97014185	Conector del regulador de tiro/conducto
2	97016382	Conjunto de la cubierta
3	98003036	Soporte de montaje (se requieren 4)
4	98005512	Placa del adaptador de cableado
5	99524804	Rueda del soplador*
6	99524805	Venturi/Soporte del motor *
7	99080731	Motor *
	97020054	Motor/Conjunto de soporte del motor (incluye las claves n.º. 6 y 7) *
8	99770141	Arnés para el cable de la lámpara
9	99770143	Arnés del cable principal
10	97018868	Conjunto de control de humedad (Incluye soporte para lámpara)
11	99770171	Arnés, enchufe de GU24
12	97018169	Anillo/Deflector con resortes y sensor de humedad
13	99525160	Resorte del deflector (se req. 2)
14	99271448	Lámpara fluorescente
15	98010628	Cubierta de la caja de controles

Al pedir piezas de repuesto, indique el No. DE PIEZA, no el No. DE CLAVE
* Debe quitar el conjunto de control de humedad para dar servicio a estas piezas.

GARANTÍA

Ventiladores/lámparas de NuTone - Garantía limitada

PERIODO DE GARANTÍA: NuTone garantiza al consumidor comprador original del ventilador/lámpara de NuTone (el "Ventilador") que el ventilador (excepto las bombillas/lámparas) estará libre de defectos en materiales o mano de obra durante un período de tres (3) años a partir de la fecha de la compra original. La garantía en las bombillas/lámparas provista con el ventilador es de un (1) año y no cubre el rompimiento de las bombillas/lámparas. Esta garantía no cubre accesorios, como controles de velocidad, que pueden comprarse por separado e instalarse con el ventilador.

El periodo de garantía limitada para las piezas de repuesto y para los ventiladores reparados o reemplazados bajo esta garantía limitada continuará durante el resto del periodo de garantía original.

NO EXISTEN OTRAS GARANTÍAS, EXPLÍCITAS O IMPLÍCITAS, INCLUYENDO, PERO NO LIMITADAS A, GARANTÍAS IMPLÍCITAS DE COMERCIALIZACION O APTITUD PARA UN PROPOSITO PARTICULAR.

Durante el periodo de un año, y a su propio criterio, Broan reparará o reemplazará, sin costo alguno cualquier producto o pieza que se encuentre defectuosa bajo condiciones normales de servicio y uso.

ESTA GARANTIA NO SE APLICA A TUBOS Y ARRANCADORES DE LAMPARAS FLUORESCENTES. Esta garantía no cubre (a) mantenimiento y servicio normales o (b) cualquier producto o piezas que hayan sido utilizadas de forma errónea, negligente, que hayan causado un accidente, o que hayan sido reparadas o mantenidas inapropiadamente (por otras compañías que no sean Broan), instalación defectuosa, o instalación contraria a las instrucciones de instalación recomendadas.

La duración de cualquier garantía implícita se limita a un período de un año como se especifica en la garantía expresa. Algunos estados no permiten limitaciones en cuanto al tiempo de expiración de una garantía implícita, por lo que la limitación antes mencionada puede no aplicarse a usted.

LA OBLIGACION DE BROAN DE REPARAR O REEMPLAZAR, SIGUIENDO EL CRITERIO DE BROAN, DEBERA SER EL UNICO Y EXCLUSIVO RECURSO LEGAL DEL COMPRADOR BAJO ESTA GARANTIA. BROAN NO SERA RESPONSABLE POR DAÑOS INCIDENTALES, CONSIGUIENTES, O POR DAÑOS ESPECIALES QUE SURJAN A RAIZ DEL USO O DESEMPEÑO DEL PRODUCTO. Algunos estados no permiten la exclusión o limitación de daños incidentales o consiguientes, por lo que la limitación antes mencionada puede no aplicarse a usted.

Esta garantía le proporciona derechos legales específicos, y usted puede también tener otros derechos, los cuales varían de estado a estado. Esta garantía reemplaza todas las garantías anteriores. Para calificar en la garantía de servicio, usted debe (a) notificar a Broan al domicilio que se menciona abajo o al teléfono: 1-800-637-1453, (b) dar el número del modelo y la identificación de la pieza, y (c) describir la naturaleza de cualquier defecto en el producto o pieza. En el momento de solicitar servicio cubierto por la garantía, usted debe de presentar evidencia de la fecha original de compra. Broan-NuTone LLC, 926 W. State Street, Hartford, Wisconsin 53027 www.nutone.com 888-336-3948 Broan-NuTone Canada, Inc., 1140 Tristar Drive, Mississauga, Ontario L5T 1H9 www.nutone.ca 877-896-1119