

READ AND SAVE THESE INSTRUCTIONS

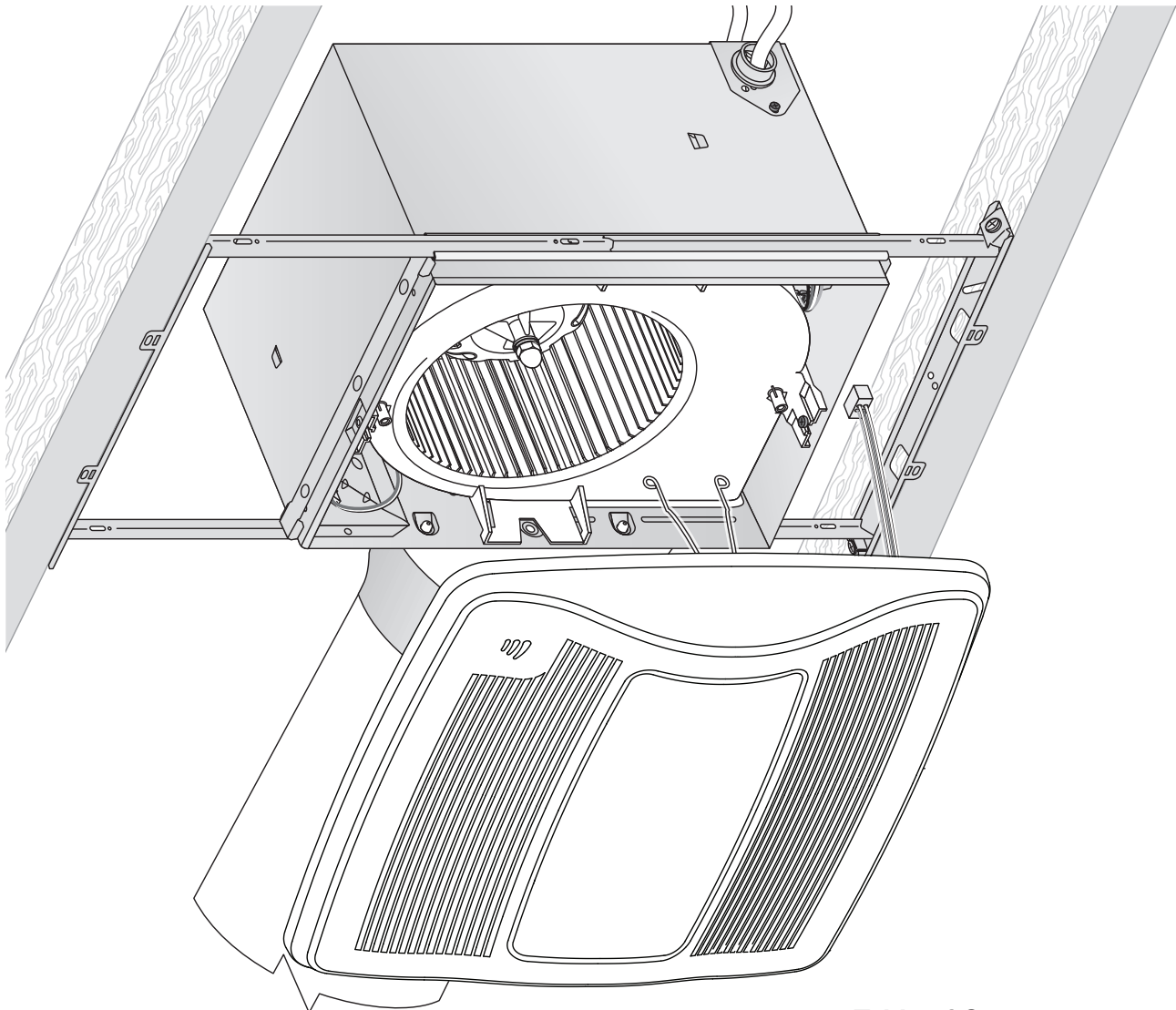
Installer: leave this guide with homeowner.

Register your product online at www.broan.com/register.

ZB110HL

X2 | Multi-Speed Ventilation
Fan with Light, Night Light
and Humidity Sensor

INSTALLATION GUIDE



**Easy installation in both
new construction and retrofit**

Table of Contents

Warnings and Cautions	2
Typical Installation	2
New Construction Installation	3
Retrofit Installation	7
Operation	12
Cleaning and Maintenance	12
Troubleshooting	12
Service Parts	13
Warranty	13

WARNING

TO REDUCE THE RISK OF FIRE, ELECTRIC SHOCK, OR INJURY TO PERSONS, OBSERVE THE FOLLOWING:

1. Use this unit only in the manner intended by the manufacturer. If you have questions, contact the manufacturer at the address or telephone number listed in the warranty.
2. Before servicing or cleaning unit, switch power off at service panel and lock the service disconnecting means to prevent power from being switched on accidentally. When the service disconnecting means cannot be locked, securely fasten a prominent warning device, such as a tag, to the service panel.
3. Installation work and electrical wiring must be done by a qualified person(s) in accordance with all applicable codes and standards, including fire-rated construction codes and standards.
4. Sufficient air is needed for proper combustion and exhausting of gases through the flue (chimney) of fuel burning equipment to prevent backdrafting. Follow the heating equipment manufacturer's guideline and safety standards such as those published by the National Fire Protection Association (NFPA), and the American Society for Heating, Refrigeration and Air Conditioning Engineers (ASHRAE), and the local code authorities.
5. When cutting or drilling into wall or ceiling, do not damage electrical wiring and other hidden utilities.
6. Ducted fans must always be vented to the outdoors.
7. Use only ON/OFF switch, mechanical timer or relay-switched control.
8. Acceptable for use over a tub or shower when connected to a GFCI (Ground Fault Circuit Interrupter) - protected branch circuit.
9. This unit must be grounded.

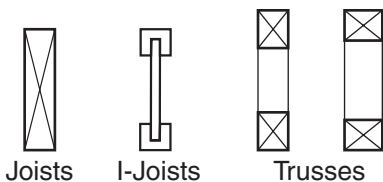
CAUTION

1. For general ventilating use only. Do not use to exhaust hazardous or explosive materials and vapors.
2. This product is designed for installation in flat ceilings. Sensor will not function reliably if product is not installed in flat ceiling. **DO NOT MOUNT THIS PRODUCT IN A WALL.**
3. To avoid motor bearing damage and noisy and/or unbalanced impellers, keep drywall spray, construction dust, etc. off power unit.
4. Please read specification label on product for further information and requirements.

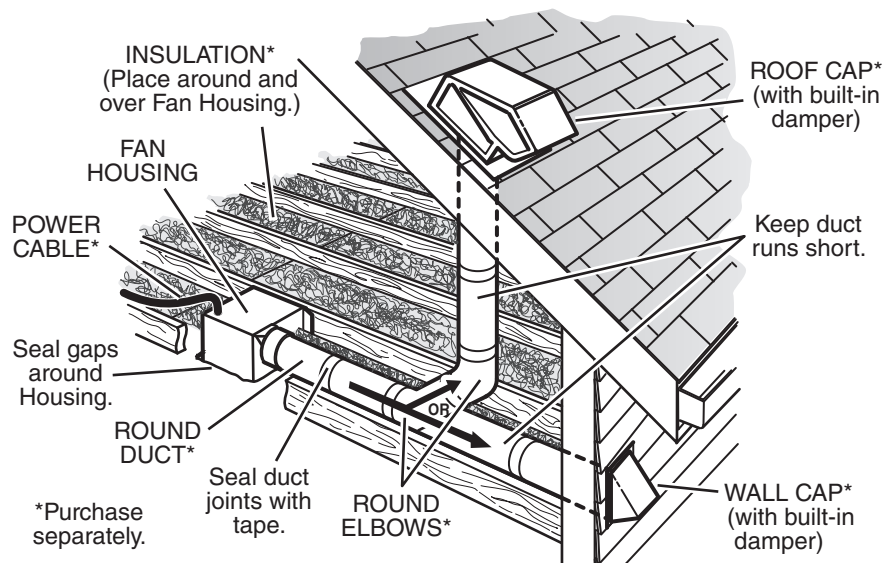


Typical Installation

- Installation is the same for:



- Fits in 2" x 8" ceiling construction.
- Infinitely adjust the fan position between joists from 14" to 24" on center.



The ducting from this fan to the outside of the building has a strong effect on the air flow, noise and energy use of the fan. Use the shortest, straightest duct routing possible for best performance, and avoid installing the fan with smaller ducts than recommended. Insulation around the ducts can reduce energy loss and inhibit mold growth. Fans installed with existing ducts may not achieve their rated airflow.

6-inch round rigid metal duct is recommended for best performance.

New Construction Installation

Tools needed

- Power screwdriver with a Phillips bit
- Phillips screwdriver
- Flathead screwdriver
- Pliers
- Wire insulation stripper
- Wire cutter

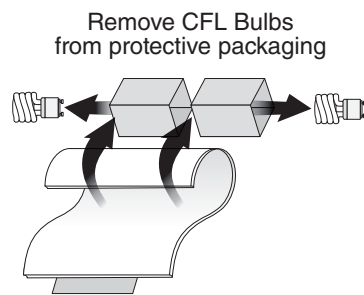
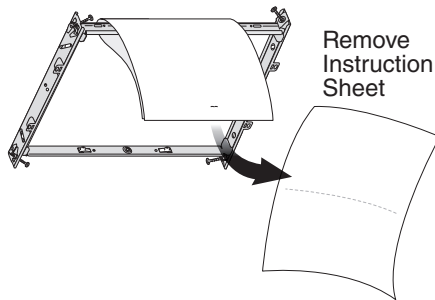
Materials needed

- 6" round metal ducting recommended for best performance.
Use of other ducting is acceptable but may impact performance.
- Roof cap or wall cap (built-in damper recommended)
- Tape to seal duct connections
- Electrical wiring and supplies per local code requirements
- 4W (max.) C7-type night light bulb

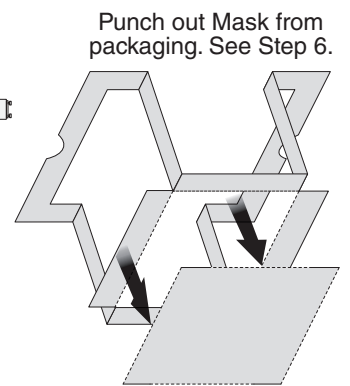
1 Remove Packaging



Parts Bag holds Knockout Plate and six (6) screws

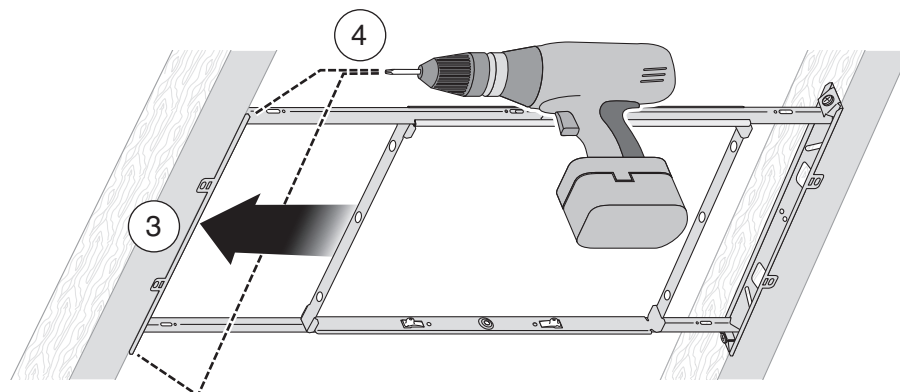
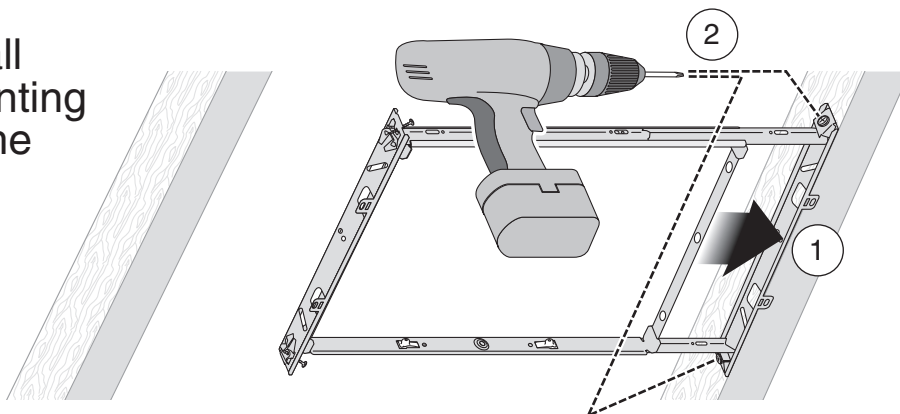


Remove CFL Bulbs from protective packaging



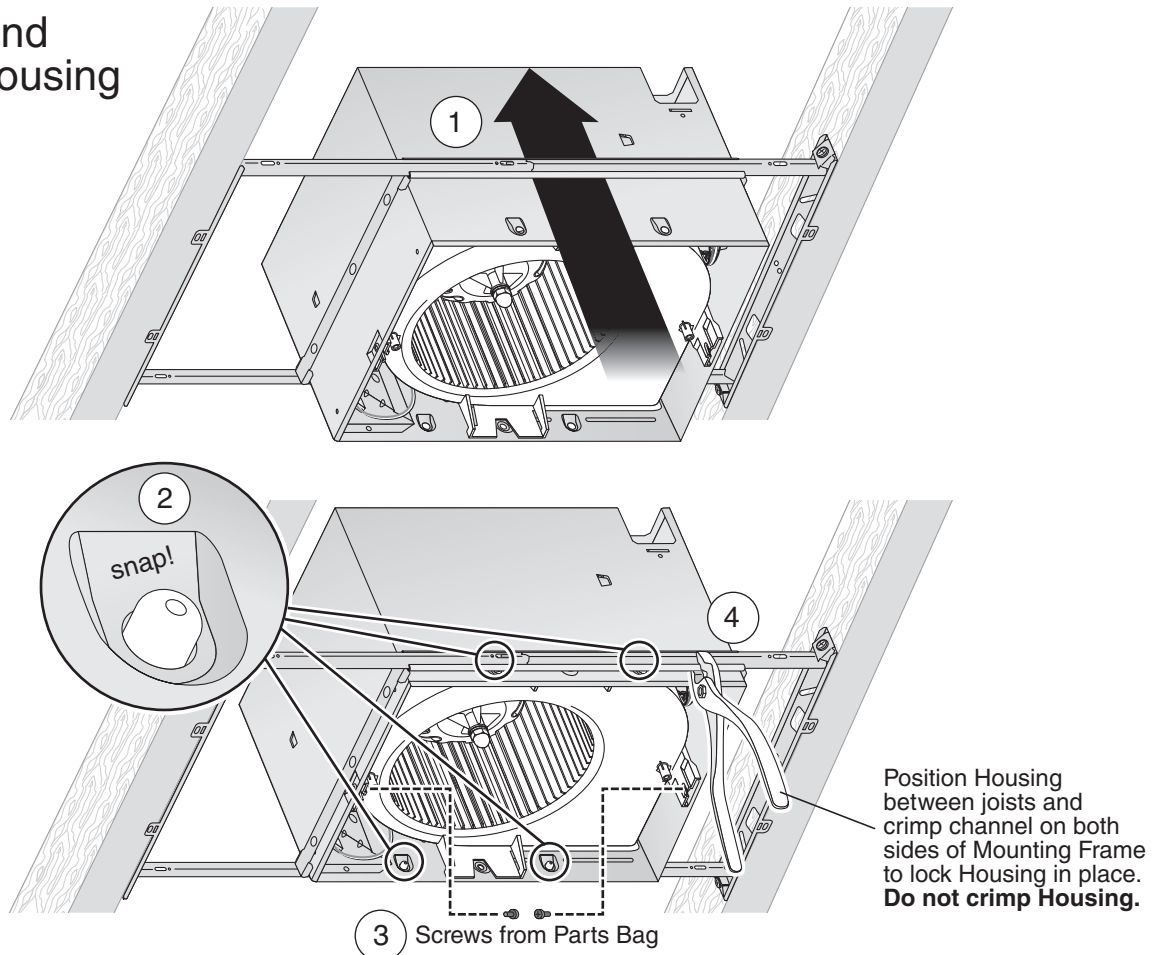
Punch out Mask from packaging. See Step 6.

2 Install Mounting Frame

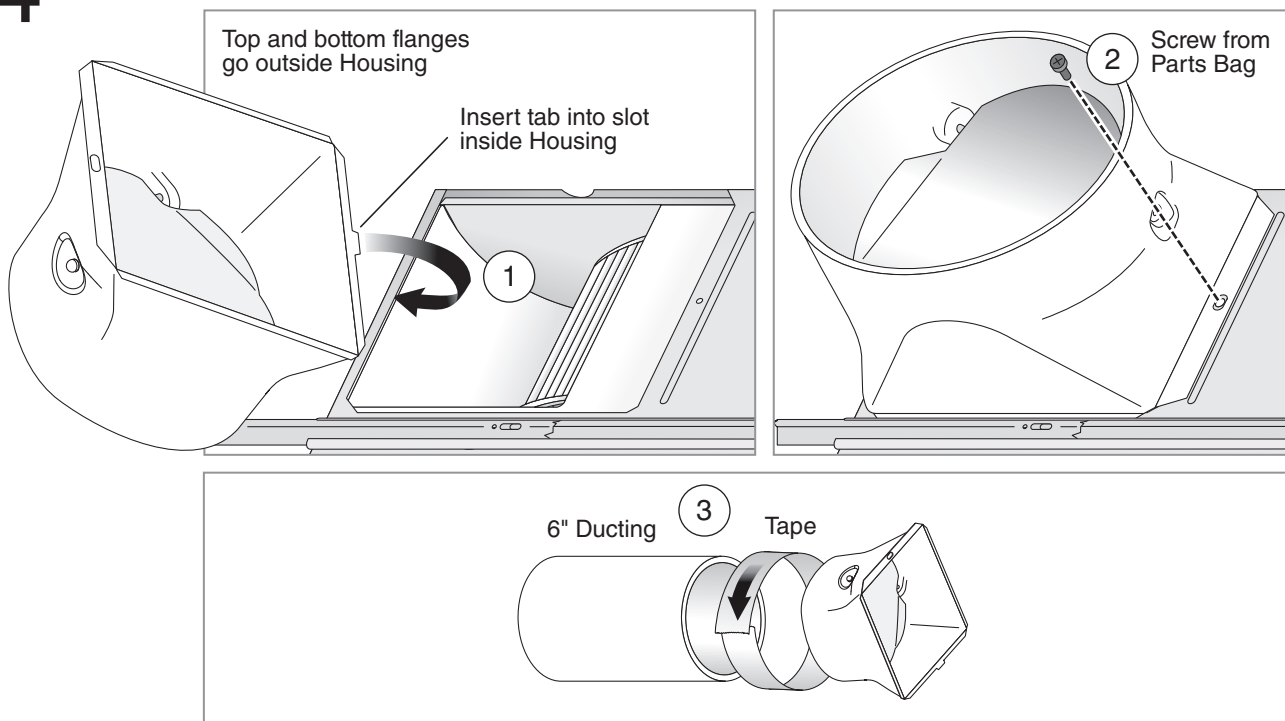


New Construction Installation

3 Snap-in and Secure Housing



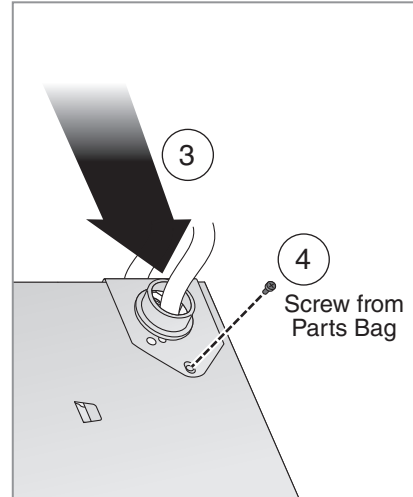
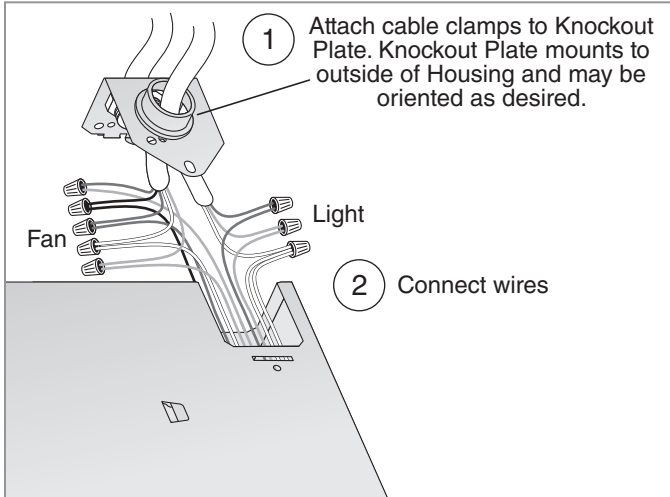
4 Attach Duct Connector and Ducting



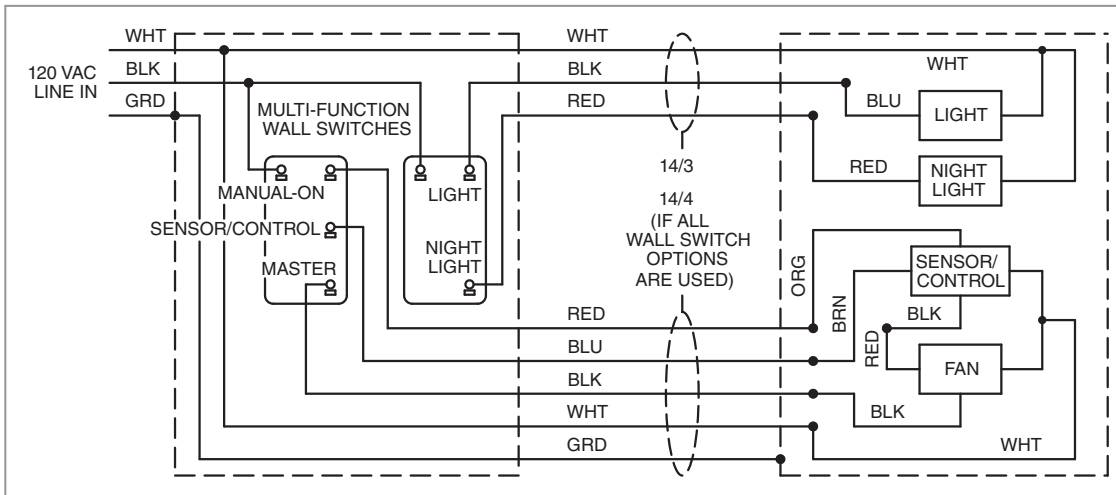
New Construction Installation

5 Connect Wires and Install Knockout Plate

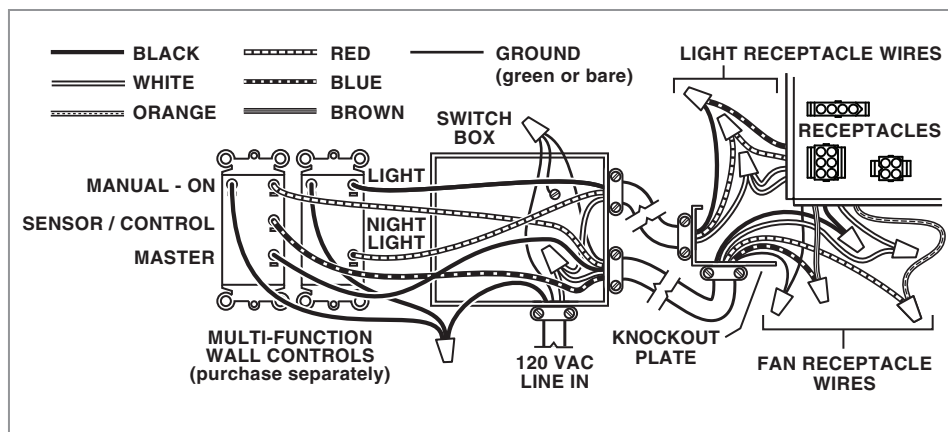
- Run 120VAC electrical wiring to the installation location.
- Use proper UL-approved connectors to secure wiring to the Knockout Plate provided in Parts Bag.
- Connect wires as shown in wiring diagram.
- Do not use a dimmer switch to operate the light.



- See OPERATION section on page 12 for details.



- MASTER switch turns fan system on and shuts it off for fan cleaning and maintenance purposes.
- SENSOR/CONTROL switch turns humidity control automatic operation on/off.
- MANUAL-ON switch directly increases fan operation to certified airflow rate.
- MASTER switch must be on for humidity control or MANUAL-ON switch to change fan operation to certified airflow rate.



- MANUAL-ON switch is not required to manually increase fan operation to certified airflow rate (see page 10).
- MASTER and SENSOR/CONTROL switches can be combined (see page 10).
- MASTER switch along with or separate from SENSOR/CONTROL switch may be located where they are not easily accessed for everyday usage, they may need to be labeled and located where they can't be turned on without being seen from fan to comply with local and national codes.

New Construction Installation

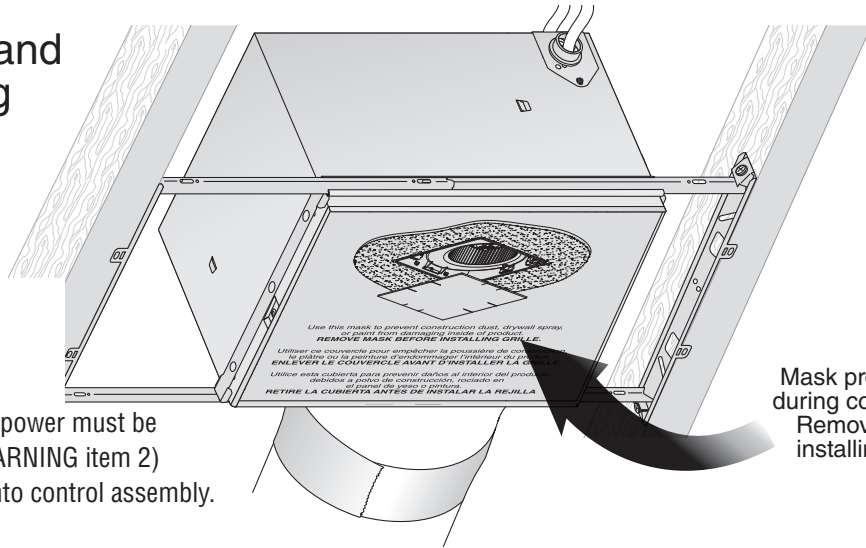
6 Insert Mask and Finish Ceiling

- Install ceiling material.
- Cut out around Housing.

CAUTION

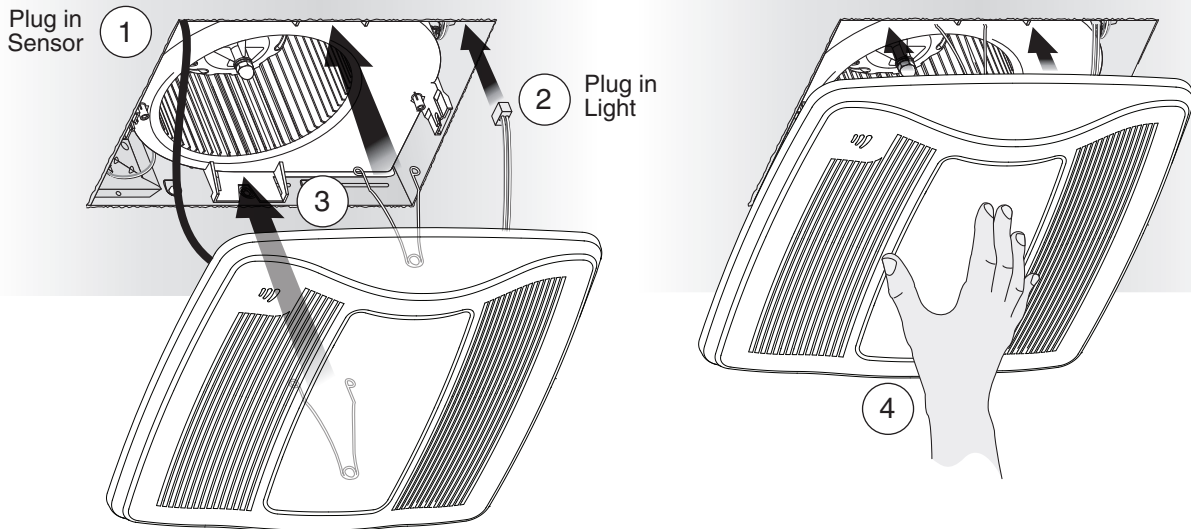
IN ORDER TO PREVENT MOTOR/CONTROL DAMAGE:

If the blower was unplugged, power must be disconnected (see page 2, WARNING item 2) before inserting motor plug into control assembly.

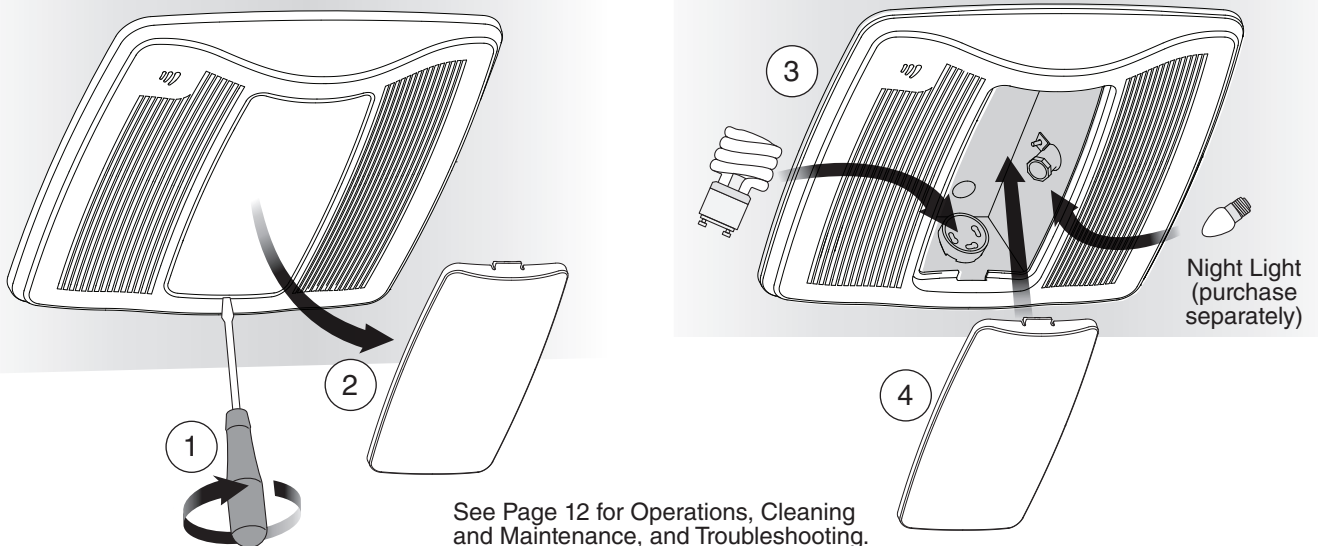


Mask protects unit during construction. Remove before installing Grille.

7 Install Grille



8 Install Bulbs



See Page 12 for Operations, Cleaning and Maintenance, and Troubleshooting.

Retrofit Installation

Tools needed

- Power screwdriver with a Phillips bit
- Phillips screwdriver
- Flathead screwdriver
- Pliers
- Wire insulation stripper
- Wire cutter
- Ruler
- Pencil
- Drywall saw
- Claw hammer or pry bar
- Utility knife

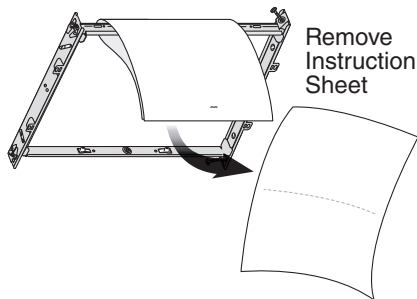
Materials needed

- Tape to seal duct connections
- Existing rigid duct will require the addition of a short length of flexible duct
- Electrical wiring and supplies per local code requirements
- 4W (max.) C7-type night light bulb

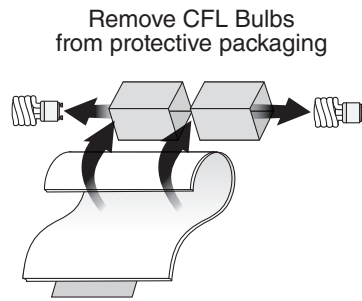
1 Remove Packaging



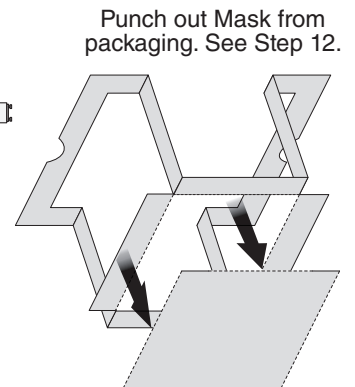
Parts Bag holds Knockout Plate and six (6) screws



Remove Instruction Sheet



Remove CFL Bulbs from protective packaging



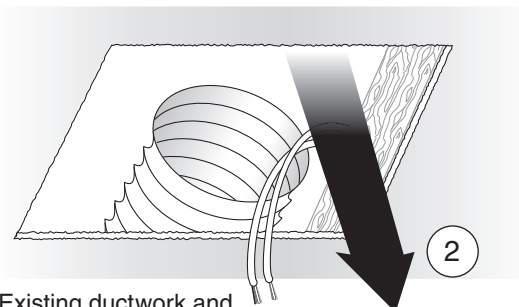
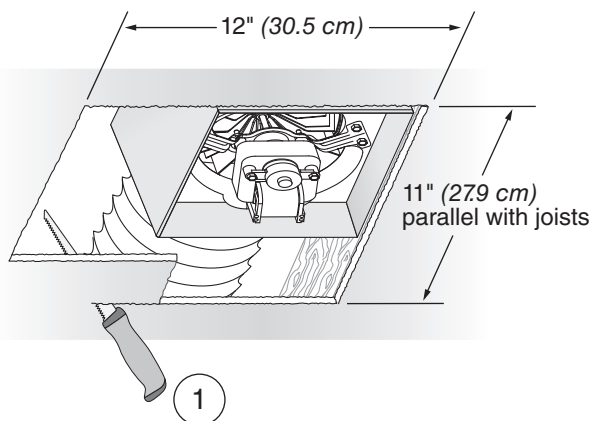
Punch out Mask from packaging. See Step 12.

2 Switch Off Power

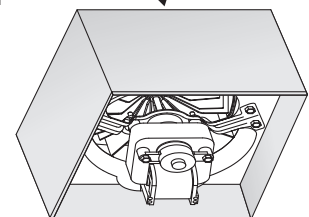
WARNING ⚡

Before removing existing fan, switch power off at service panel and lock the service disconnecting means to prevent power from being switched on accidentally. When the service disconnecting means cannot be locked, securely fasten a prominent warning device, such as a tag, to the service panel.

3 Enlarge Ceiling Opening and Remove Existing Fan



Existing ductwork and wiring left in place

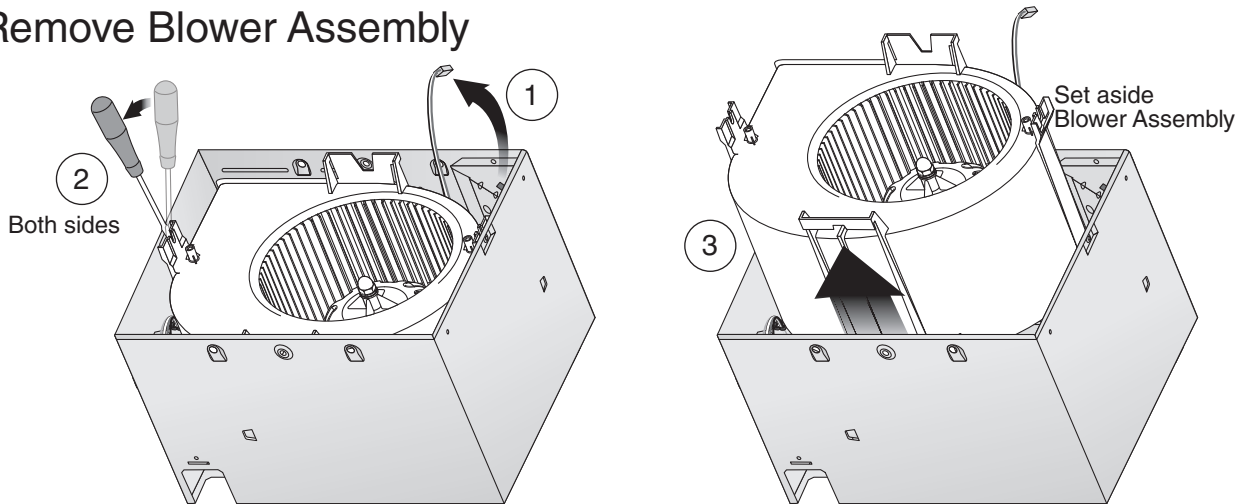


4 Examine Wiring

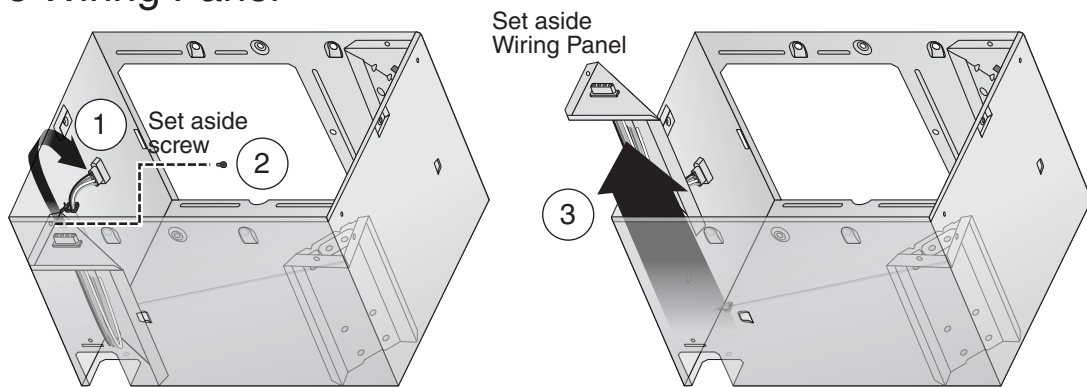
Examine the existing wiring to make sure it is not damaged. If any damage is found, **DO NOT CONTINUE INSTALLATION** of this product. Contact a qualified person(s) for repair.

Retrofit Installation

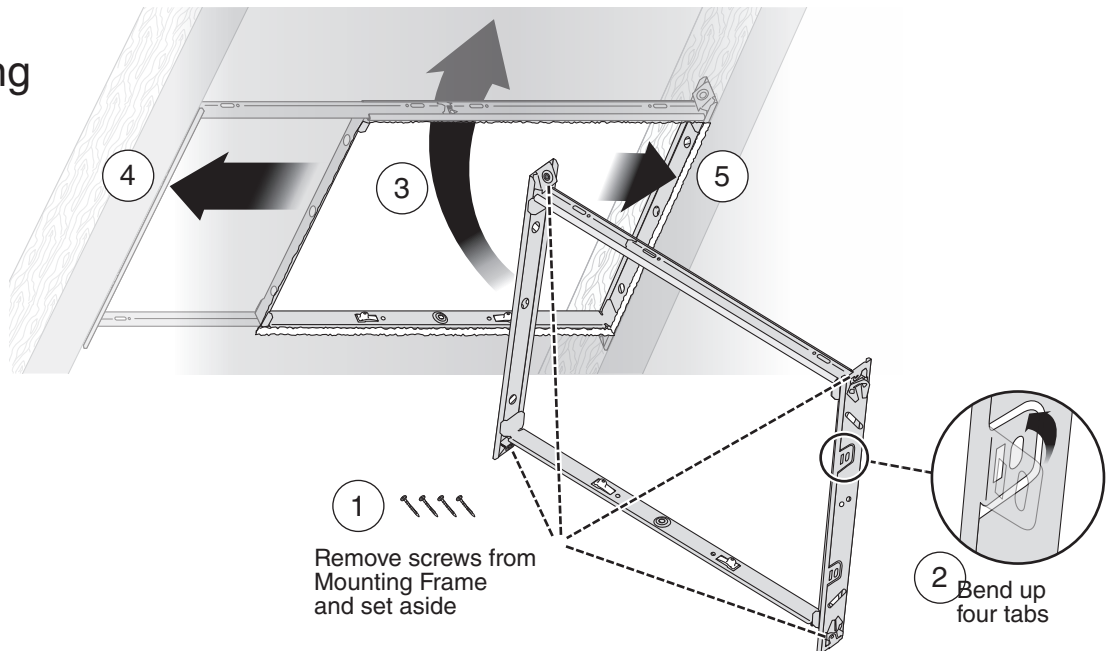
5 Remove Blower Assembly



6 Remove Wiring Panel

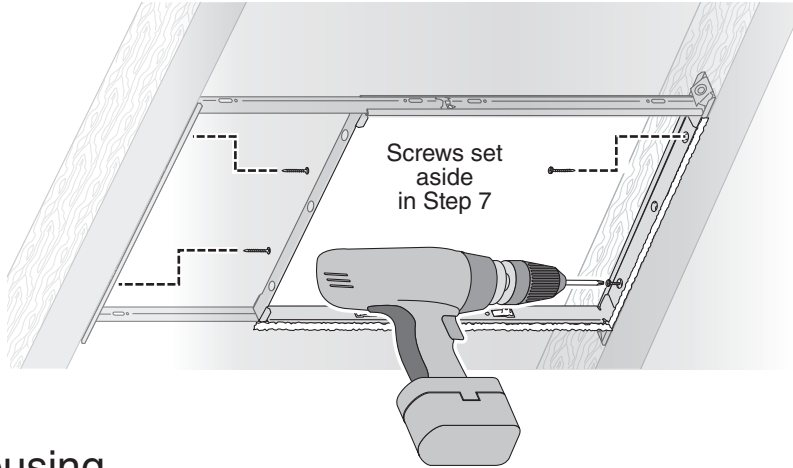


7 Insert Mounting Frame

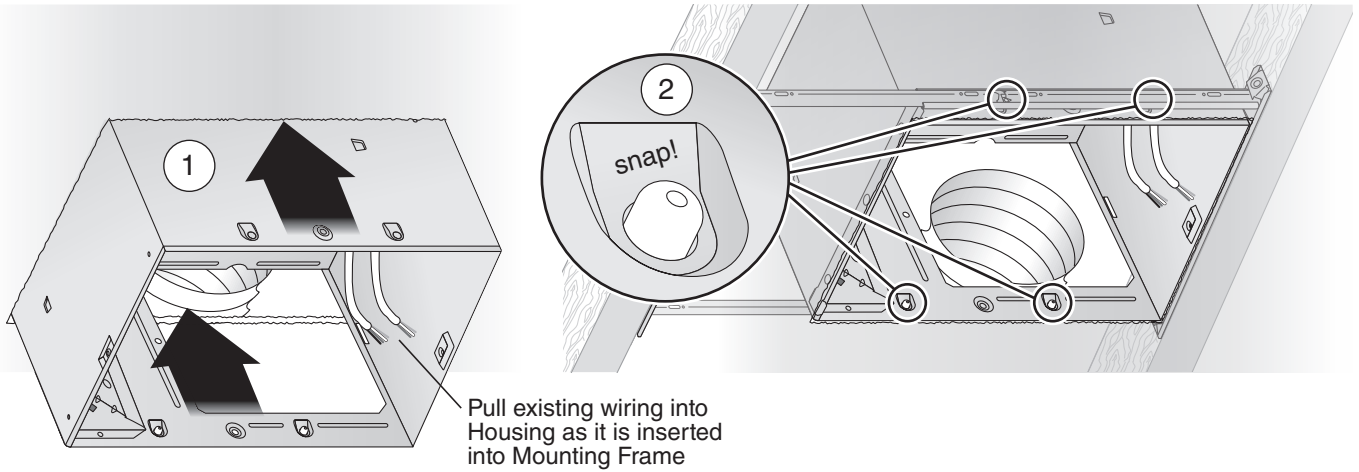


Retrofit Installation

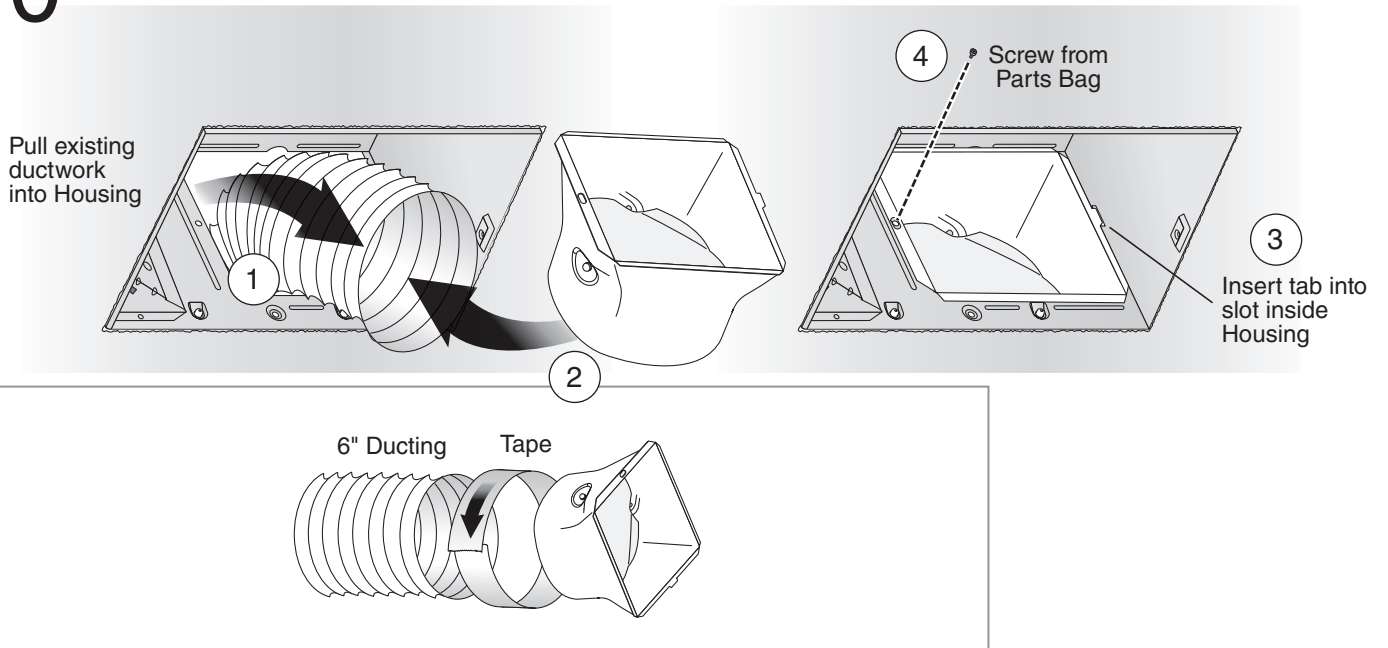
8 Secure Mounting Frame



9 Snap-in Housing



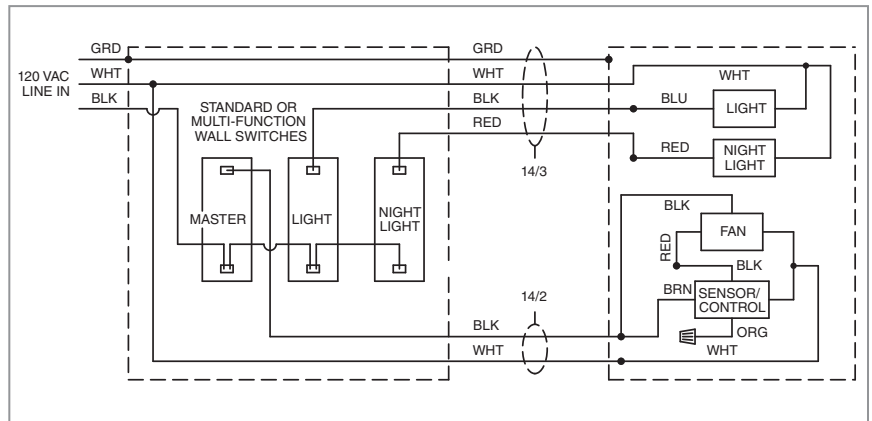
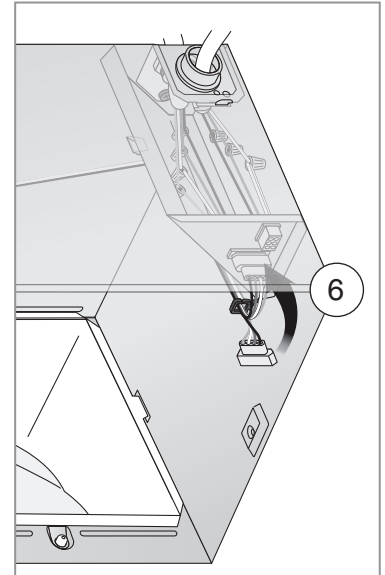
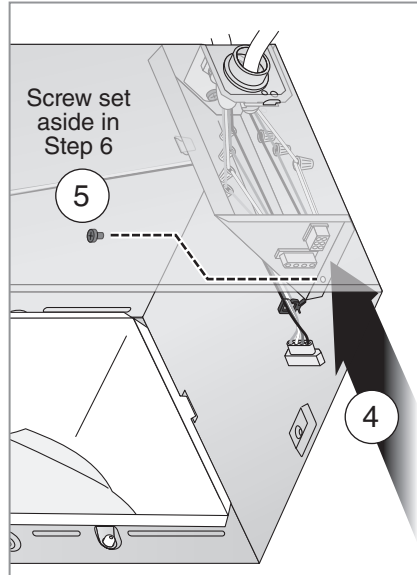
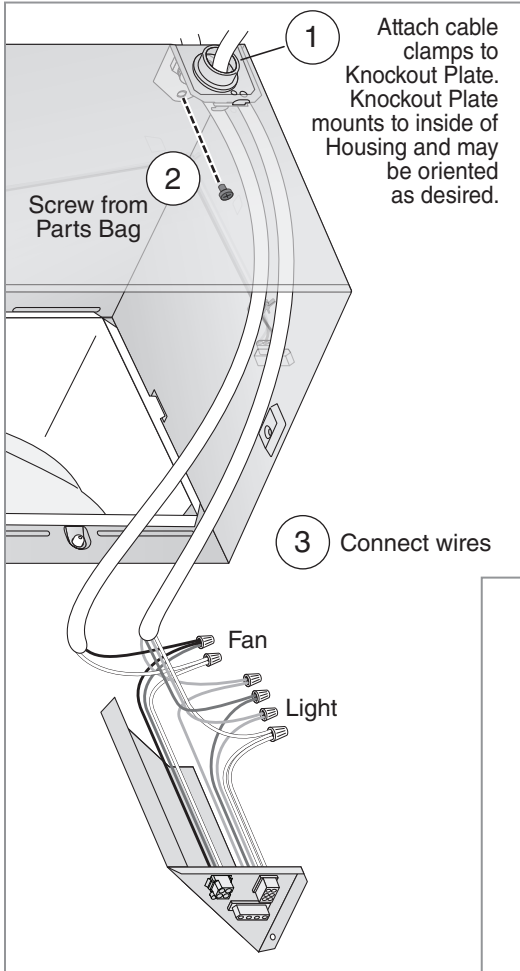
10 Attach Ducting and Duct Connector



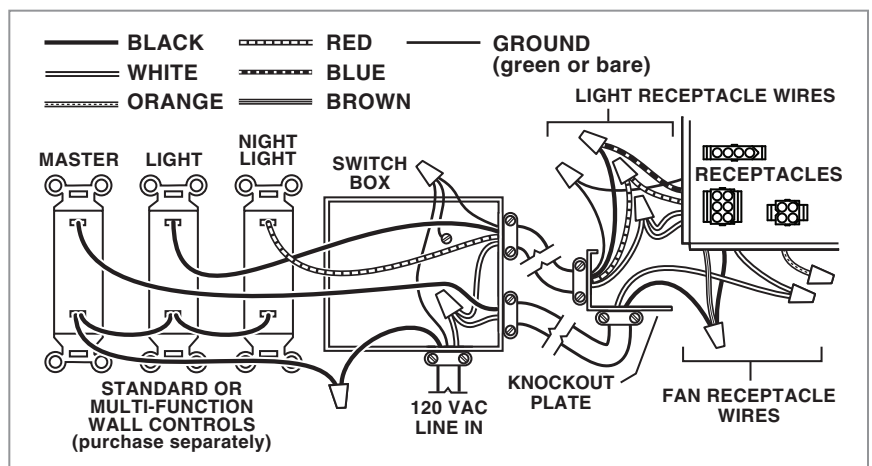
Retrofit Installation

11 Install Knockout Plate, Connect Wires and Install Wiring Panel

- Use proper UL-approved connectors to secure wiring to the Knockout Plate provided in Parts Bag.
- Connect wires as shown in wiring diagram.
- Do not use a dimmer switch to operate the light.



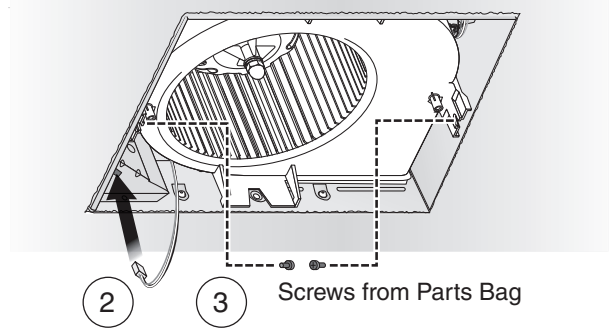
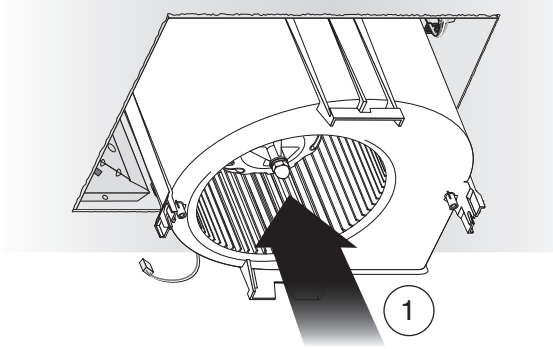
- See OPERATION section on page 12 for details.
- MASTER switch turns fan system on along with humidity control and shuts them off for cleaning and maintenance purposes.
- Toggle mode can be used to manually increase fan operating airflow to certified rate.
- MASTER switch may be located where it is not easily accessed for everyday usage; it may need to be labeled and located where it can't be turned on without being seen from fan to comply with local and national codes.



Retrofit Installation

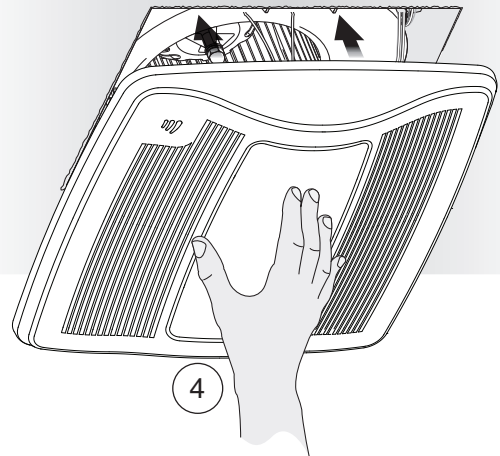
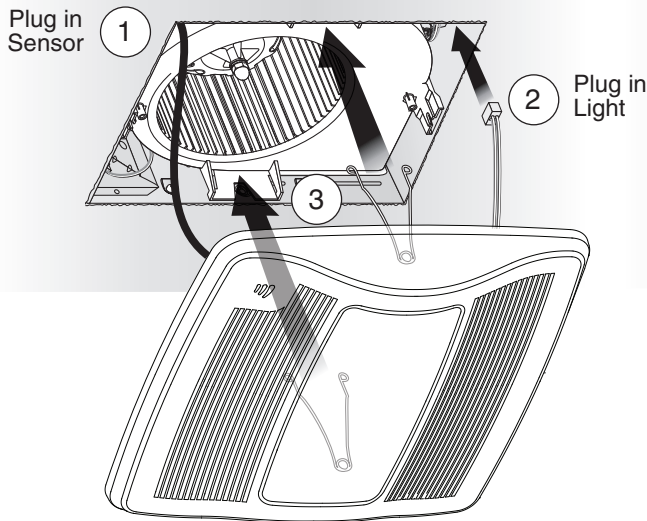
12 Insert and Secure Blower Assembly

CAUTION ⚠ ⚡ **IN ORDER TO PREVENT MOTOR/CONTROL DAMAGE:**
Power must be disconnected (see page 2, WARNING item 2) before inserting motor plug into control assembly.

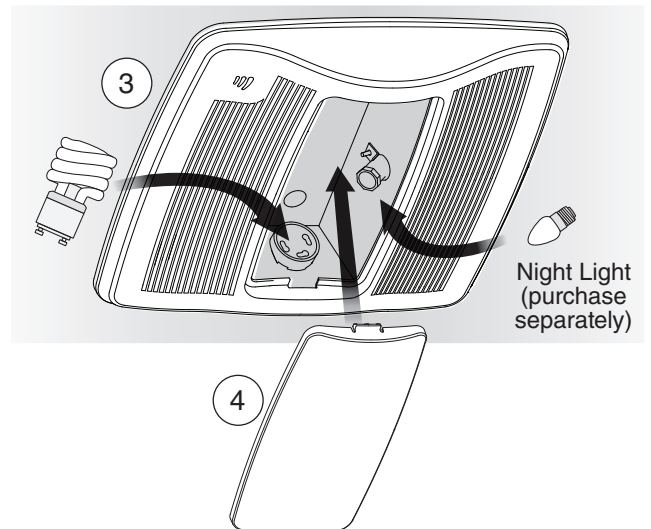


If ceiling repairs are needed, place Mask in Housing after Blower Assembly is secured. See New Construction Installation Step 6. Remove Mask before installing Grille.

13 Install Grille



14 Install Bulbs



WARNING ⚠ Before servicing or cleaning unit, switch power off at service panel and lock the service disconnecting means to prevent power from being switched on accidentally. When the service disconnecting means cannot be locked, securely fasten a prominent warning device, such as a tag, to the service panel.

Operation

It is normal for this ventilation fan to take approximately 5 seconds to start running after it is turned on.

Modes

(For reference, wiring diagrams are on pages 5 and 10.)

Continuous ventilation:

1. Turn master wall switch on (make sure any other wall switches are off).
2. Fan operates at user-adjustable airflow rate.

Humidity sensing:

1. If master wall switch is not already on, turn it on.
2. Turn sensor/control wall switch on (make sure any other wall switches are off). Some installations may not have a separate sensor/control wall switch; where it is combined with master wall switch.
3. Sensor monitors humidity level for (a) moderate to rapid rise or (b) above set-point.
4. Fan operates at certified airflow rate to reduce humidity.
5. When humidity decreases, fan enters time delay mode. (See below.)

Manual-on (optional manual-on wall switch must be installed):

1. Turn master and manual-on wall switches on (sensor/control wall switch can be on or off).
2. Fan operates at certified airflow rate.
3. When manual-on wall switch is turned off, fan enters timed-off mode. (See below.)

Toggle (for manual operation when optional manual-on wall switch is not installed):

1. If master wall switch is not already on, turn it on.
2. Turn sensor/control wall switch on (make sure any other wall switches are off). Some installations may not have a separate sensor/control wall switch; where it is combined with master wall switch then turn master wall switch on and off using following instructions.
3. Wait at least one-second.
4. Turn switch off for less than one-second.
5. Turn switch back on.
6. Fan will operate at certified airflow rate and enter time delay mode. (See next.)

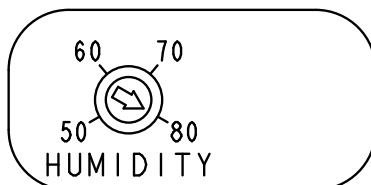
Time Delay:

Fan operates at certified airflow rate until user-adjustable TIME delay has passed, then fan reverts to user-adjustable airflow rate.

To Set User-Adjustable Humidity Sensitivity**

Using a small, flat-blade screwdriver, carefully rotate HUMIDITY adjustment until arrow points to desired humidity level shown in percent relative humidity (%RH).

** User-adjustable humidity sensitivity is located in corner of Fan Housing behind Grille.



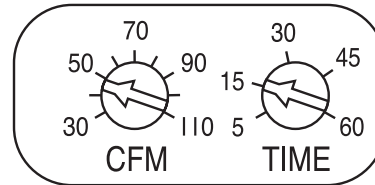
To Set the User-Adjustable Airflow Rate*

Using a small, flat-blade screwdriver, carefully rotate the CFM adjustment until the arrow points to the desired airflow rate.

To Set the User-Adjustable Time Delay*

Using a small, flat-blade screwdriver, carefully rotate the TIME adjustment until arrow points to the desired minutes of time delay.

* The user-adjustable controls are located in one corner of the Fan Housing, behind the Grille.



To Turn Fan OFF

Turn the master switch OFF.

Cleaning and Maintenance

CAUTION



IN ORDER TO PREVENT MOTOR/CONTROL DAMAGE:

DO NOT remove motor plug to stop spinning motor.

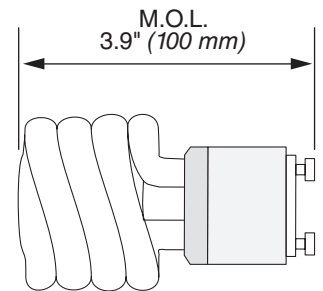
Power must be disconnected (see WARNING at top left of this page) before motor plug is removed or inserted into control assembly.

To Clean

For quiet and efficient operation, long life and attractive appearance, remove Grille and vacuum interior of unit with a dusting brush attachment.

Do not use cleaning sprays, solvents or water on, or near, the sensor.

Motor is permanently lubricated and never needs oiling. If motor is making excessive or unusual noises, replace Control Assembly and Motor.



To Change Bulbs

Refer to Retrofit Installation Step 14 (page 11).

1. Carefully insert a small flathead screwdriver between the Grille and Lens, then twist to remove Lens.
2. Purchase two (2) 18W (max.) type GU24 fluorescent lamps with Maximum Overall Length (MOL) of 3.9" (100 mm). Purchase a 4W (max.) C7-type incandescent night light bulb.
3. Insert bulbs into their sockets. Replace Lens.

Troubleshooting

Before continuing, turn off power as previously noted in WARNING and CAUTION sections on the previous page.

Symptom: Fan does not run.

- Check for an open fuse or circuit breaker in building's service panel.
- Check two (2) plug-in connections for Motor and its Control are seated firmly in place.
- Check two (2) plug-in connections for Sensor and its Control are seated firmly in place.
- Check that Blower Wheel spins freely.

Symptom: Humidity mode does not operate fan at certified air flow rate.

- Check two (2) plug-in connections for Sensor and its Control are seated firmly in place.

Symptom: Fan runs erratically.

- Check that Blower Wheel is firmly attached to Motor shaft and both spin freely.

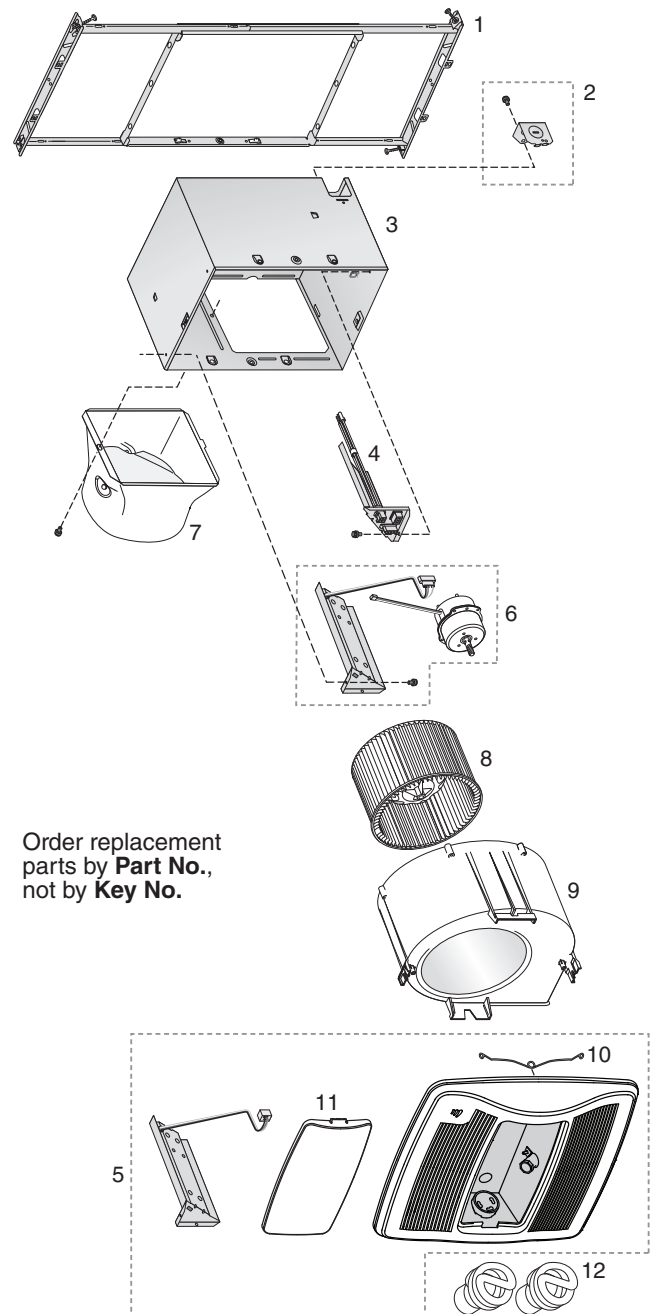
Symptom: Fan seems noisy.

- Check that back draft damper in fan's Duct Connector pivots freely. Screws used to attach duct to Duct Connector may prevent damper from opening.
- Check that back draft damper in wall or roof cap pivots freely. Dampers are sometimes mistakenly painted shut or obstructed by bird or insect debris.

Symptom: Fan does not properly ventilate room.

- For spot ventilation, turn both master switch and sensor/control wall switch ON, so sensor/control operates fan at certified airflow rate.
- For spot ventilation followed by continuous ventilation, increase the "TIME" setting of user-adjustable time delay.
- For continuous ventilation, increase "CFM" setting of user-adjustable airflow rate.

Service Parts



Order replacement parts by **Part No.**, not by **Key No.**

Key No.	Part No.	Description
1	97018349	Mounting Frame
2	97018721	Knockout Plate & Screws
3	97018382	Housing
4	97018474	Wiring Panel/Harness Assembly
5	97019012	Humidity Control Assembly & Grille Assembly (includes Key Nos. 10, 11)
6	97018756	Control Assembly & Motor
7	97018331	Duct Connector - 6"
8	99020301	Blower Wheel
9	97018768	Scroll Assembly
10	99140208	Grille Spring (2 req'd)
11	99111542	Lens
12	99271381	Bulb, GU24 18W 3500K Fluorescent (2 req'd)

Warranty

Broan Ventilation Fan/Lights Limited Warranty

WARRANTY PERIOD: Broan warrants to the original consumer purchaser of its Broan Ventilation Fan/Light (the "Fan") that your Fan (excluding lamps/bulbs) will be materially free from defects in materials or workmanship for a period of three (3) years from the date of original purchase. The warranty on the lamps/bulbs provided with the Fan is one (1) year and does not cover lamp/bulb breakage. This warranty does not cover accessories, such as speed controls, that may be purchased separately and installed with the Fan. The limited warranty period for replacement parts, and for Fans repaired or replaced under this limited warranty, shall continue for the remainder of the original warranty period.

NO OTHER WARRANTIES: THE FOREGOING WARRANTIES ARE EXCLUSIVE AND IN LIEU OF ANY OTHER WARRANTIES, EXPRESS OR IMPLIED. BROAN DISCLAIMS AND EXCLUDES ALL OTHER EXPRESS WARRANTIES, AND DISCLAIMS AND EXCLUDES ALL WARRANTIES IMPLIED BY LAW, INCLUDING WITHOUT LIMITATION THOSE OF MERCHANTABILITY AND FITNESS FOR A PARTICULAR PURPOSE. TO THE EXTENT THAT APPLICABLE LAW PROHIBITS THE EXCLUSION OF IMPLIED WARRANTIES, THE DURATION OF ANY APPLICABLE IMPLIED WARRANTY IS LIMITED TO THE PERIOD SPECIFIED FOR THE EXPRESS WARRANTY. Some states do not allow limitations on how long an implied warranty lasts, so the above limitation may not apply to you. Any oral or written description of the Fan is for the sole purpose of identifying it and shall not be construed as an express warranty.

REMEDY: During the applicable limited warranty period, Broan will, at its option, provide replacement parts for, or repair or replace, without charge, any Fan or part thereof, to the extent Broan finds it to be covered by and in breach of this limited warranty. Broan will ship the repaired or replaced Fan or replacement parts to you at no charge. You are responsible for all costs for removal, reinstallation and shipping, insurance or other freight charges incurred in the shipment of the Fan or part to Broan. This warranty does not cover (a) normal maintenance and service, (b) normal wear and tear, (c) any Fans or parts which have been subject to misuse, abuse, abnormal usage, negligence, accident, improper or insufficient maintenance, storage or repair (other than repair by Broan), (d) damage caused by faulty installation, or installation or use contrary to recommendations or instructions, (e) any Fan that has been moved from its original point of installation, (f) damage caused by environmental or natural elements, (g) damage in transit, (h) natural wear of finish, (i) Fans in commercial or nonresidential use, or (j) damage caused by fire, flood or other act of God. This warranty covers only Fans sold in the United States or through U.S. distributors authorized by Broan.

EXCLUSION OF DAMAGES: BROAN'S OBLIGATION TO PROVIDE REPLACEMENT PARTS, OR REPAIR OR REPLACE, AT BROAN'S OPTION, SHALL BE YOUR SOLE AND EXCLUSIVE REMEDY UNDER THIS LIMITED WARRANTY AND BROAN'S SOLE AND EXCLUSIVE OBLIGATION. BROAN SHALL NOT BE LIABLE FOR INCIDENTAL, INDIRECT, CONSEQUENTIAL OR SPECIAL DAMAGES ARISING OUT OF OR IN CONNECTION WITH THE FAN, ITS USE OR PERFORMANCE. Incidental damages include but are not limited to such damages as loss of time and loss of use. Consequential damages include but are not limited to the cost of repairing or replacing other property which was damaged if the Fan does not work properly.

Some states do not allow the exclusion or limitation of incidental or consequential damages, so the above limitation or exclusion may not apply to you. This warranty gives you specific legal rights, and you may also have other rights, which vary from state to state.

This warranty supersedes all prior warranties and is not transferable from the original consumer purchaser.

BROAN SHALL NOT BE LIABLE TO YOU, OR TO ANYONE CLAIMING UNDER YOU, FOR ANY OTHER OBLIGATIONS OR LIABILITIES, INCLUDING, BUT NOT LIMITED TO, OBLIGATIONS OR LIABILITIES ARISING OUT OF BREACH OF CONTRACT OR WARRANTY, NEGLIGENCE OR OTHER TORT OR ANY THEORY OF STRICT LIABILITY, WITH RESPECT TO THE FAN OR BROAN'S ACTS OR OMISSIONS OR OTHERWISE.

This warranty covers only replacement or repair of defective Fans or parts thereof at Broan's main facility and does not include the cost of field service travel and living expenses.

Any assistance Broan provides to or procures for you outside the terms, limitations or exclusions of this limited warranty will not constitute a waiver of such terms, limitations or exclusions, nor will such assistance extend or revive the warranty.

Broan will not reimburse you for any expenses incurred by you in repairing or replacing any defective Fan, except for those incurred with Broan's prior written permission.

HOW TO OBTAIN WARRANTY SERVICE: To qualify for warranty service, you must (a) notify Broan at the address or telephone number stated below within seven (7) days of discovering the covered defect, (b) give the model number and part identification and (c) describe the nature of any defect in the Fan or part. At the time of requesting warranty service, you must present evidence of the original purchase date.

Broan-NuTone LLC, 926 West State Street, Hartford, WI 53027
(1-800-637-1453)
www.broan.com

If you must send the Fan or part to Broan, as instructed by Broan, you must properly pack the Fan or part—Broan is not responsible for damage in transit.

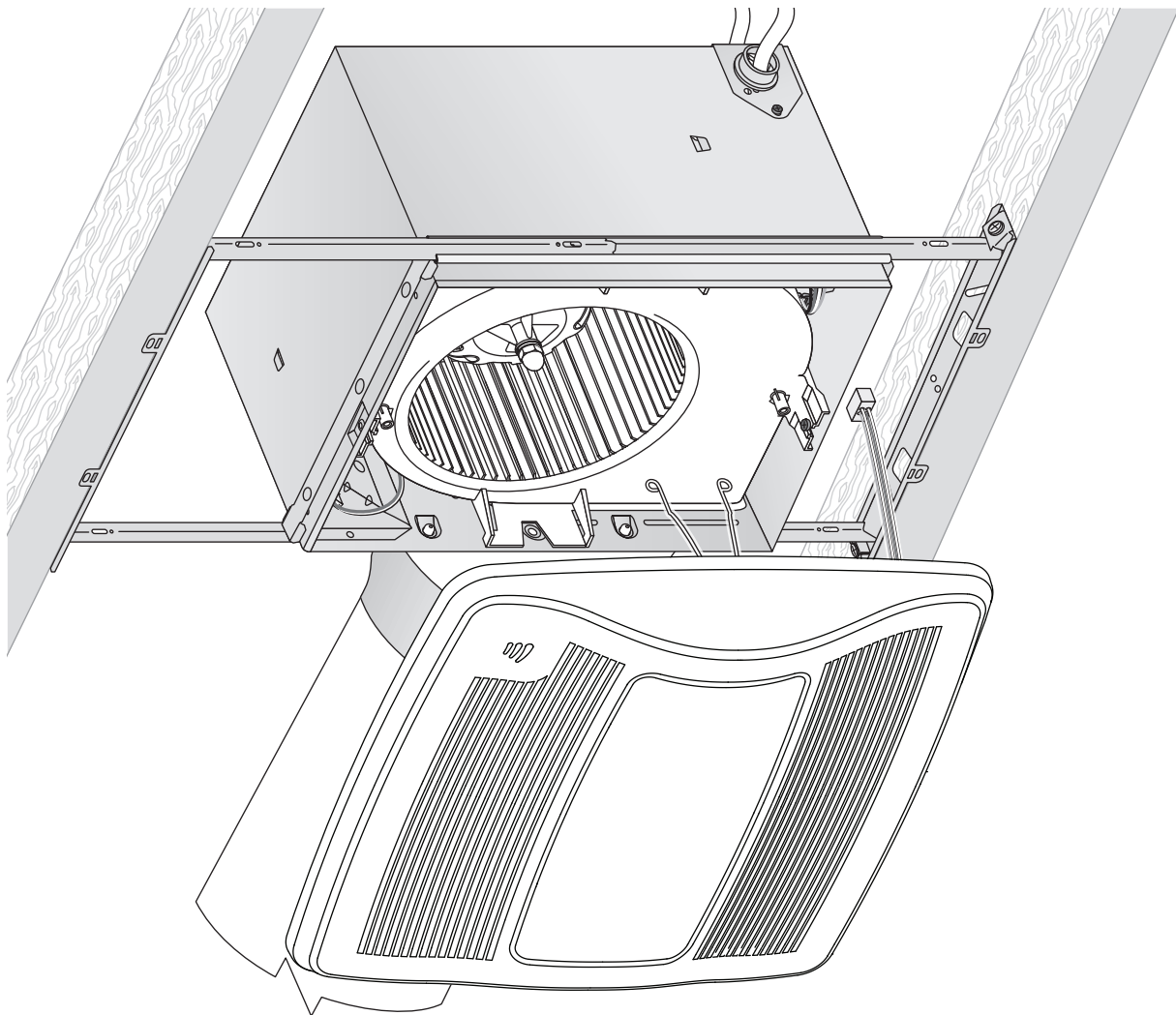
LEA Y CONSERVE ESTAS INSTRUCCIONES

Aviso al instalador: Deje esta guía con el dueño de la casa.
Registre su producto en línea en www.broan.com/register.

ZB110HL

X2 | Ventilador de velocidad múltiple con lámpara, lámpara de noche y sensor de humedad

GUÍA DE INSTALACIÓN



Fácil instalación en construcciones nuevas y en aplicaciones de conversión

Índice

Advertencias y precauciones	16
Instalación típica	16
Instalación en una construcción nueva	17
Instalación de conversión	21
Funcionamiento	26
Limpieza y mantenimiento	26
Resolución de problemas	26
Piezas de servicio	27
Garantía	27

ADVERTENCIA

PARA REDUCIR EL RIESGO DE INCENDIOS, DESCARGAS ELÉCTRICAS O LESIONES PERSONALES, OBSERVE LAS SIGUIENTES PRECAUCIONES:

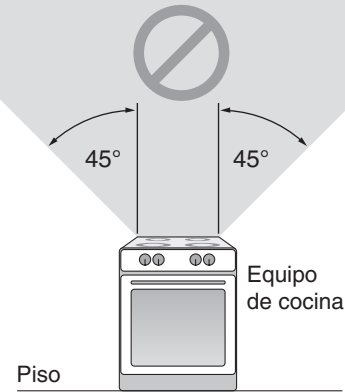
1. Use la unidad solo de la manera indicada por el fabricante. Si tiene preguntas, comuníquese con el fabricante a la dirección o al número telefónico que se incluye en la garantía.
2. Antes de dar servicio a la unidad o de limpiarla, interrumpa el suministro eléctrico en el panel de servicio y bloquee los medios de desconexión del servicio para evitar que la electricidad se reanude accidentalmente. Cuando no sea posible bloquear los medios de desconexión del servicio, fije firmemente una señal de advertencia (como una etiqueta) en un lugar visible del panel de servicio.
3. El trabajo de instalación y el cableado eléctrico deben estar a cargo de un personal capacitado, de acuerdo con todos los códigos y normas correspondientes, incluidos los códigos y normas de construcción específicos sobre protección contra incendios.
4. Es necesario que haya suficiente aire para que se lleve a cabo una combustión y una extracción adecuadas de los gases a través del tubo de humos (chimenea) del equipo quemador de combustible, con el fin de evitar el contratiro. Siga las directrices y las normas de seguridad del fabricante del equipo de calefacción, como las publicadas por la Asociación Nacional de Protección contra Incendios (National Fire Protection Association, NFPA), la Sociedad Americana de Ingenieros de Calefacción, Refrigeración y Aire Acondicionado (American Society for Heating, Refrigeration and Air Conditioning Engineers, ASHRAE) y las autoridades de los códigos locales.
5. Al cortar o perforar a través de la pared o del cielo raso, tenga cuidado de no dañar el cableado eléctrico ni otros servicios ocultos.
6. Los ventiladores con conductos siempre se deben conectar hacia el exterior.
7. Use solamente un interruptor de ENCENDIDO/APAGADO, un temporizador mecánico o un control de relé-interruptor.
8. Esta unidad puede instalarse sobre una tina o ducha siempre que se conecte a un GFCI (interruptor accionado por pérdida de conexión a tierra) en un circuito de derivación protegido.
9. Esta unidad debe estar conectada a tierra.

PRECAUCIÓN

1. Solo para usarse como medio de ventilación general. No debe usarse para la extracción de materiales o vapores peligrosos o explosivos.
2. Este producto está diseñado para instalarse solamente en un cielo raso plano. El sensor no funcionará de forma fiable si el producto no se instala en un cielo raso plano. **NO MONTE ESTE PRODUCTO EN LA PARED.**
3. Para evitar daños a los cojinetes del motor y rotores ruidosos o desbalanceados, mantenga la unidad de potencia protegida contra rociados de yeso, polvos de construcción, etc.
4. Lea la etiqueta de especificaciones del producto para ver información y requisitos adicionales.

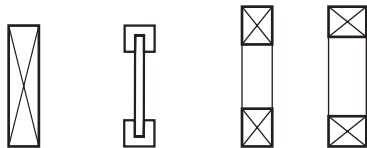
NO USAR EL PRODUCTO EN UN ÁREA DE COCINA

No instale el equipo sobre o dentro de esta área.



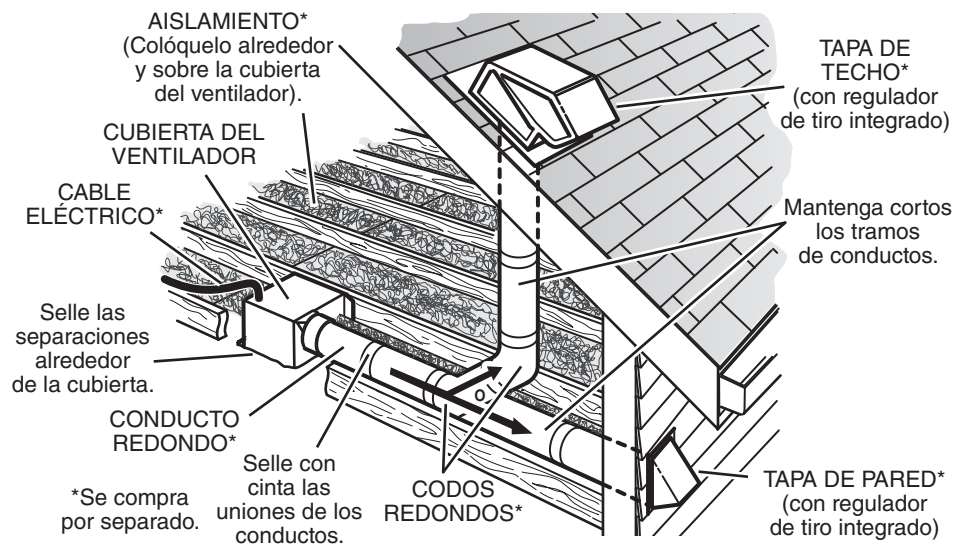
Instalación típica

- La instalación es la misma para:



Vigas Vigas en "I" Cerchas

- Cabe en una construcción de cielo raso de 2 x 8 pulg. (5 x 20 cm)
- Ajustes ilimitados de la posición del ventilador entre las vigas de 14 a 24 pulg. (35.5 a 61 cm) en el centro.



*Se compra por separado.

Los conductos desde este ventilador hacia el exterior del edificio tienen un gran efecto sobre el flujo de aire, el ruido y el uso de energía del ventilador. Utilice el tramo de conductos más corto y recto posible para obtener un desempeño óptimo y evite instalar el ventilador con conductos menores que los recomendados. El aislamiento alrededor de los conductos puede reducir la pérdida de energía e inhibir el desarrollo de moho. Los ventiladores instalados en conductos existentes podrían no obtener el flujo de aire nominal.

Para un mejor desempeño, se recomienda utilizar conductos metálicos redondos y rígidos de 6 pulg. (15.2 cm).

Instalación en una construcción nueva

Herramientas necesarias

- Destornillador eléctrico con cabeza Phillips
- Destornillador Phillips
- Destornillador de cabeza plana
- Alicates
- Desferrador de cables
- Cortador de cables

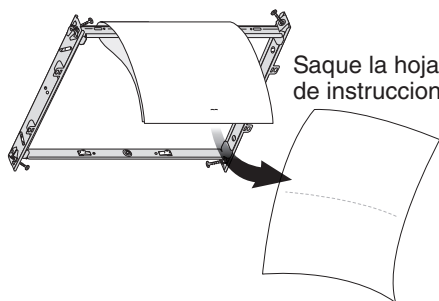
Materiales necesarios

- Se recomienda utilizar conductos metálicos redondos de 6 pulg. (15.2 cm) para obtener un desempeño óptimo. Aunque el uso de otros sistemas de conductos es aceptable, puede afectar al desempeño.
- Tapa de techo o tapa de pared (se recomienda que tenga regulador de tiro integrado)
- Cinta para sellar las conexiones de los conductos
- Cableado eléctrico y suministros según los requisitos de los códigos locales
- Bombilla para lámpara de noche de 4W (máx.) y del tipo C7

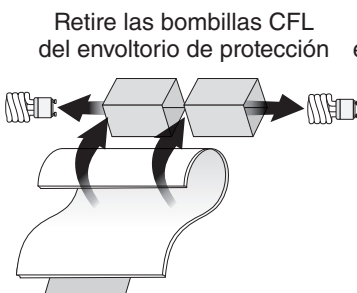
1 Saque el producto de su empaque



La bolsa de piezas contiene la placa de agujero ciego y seis (6) tornillos

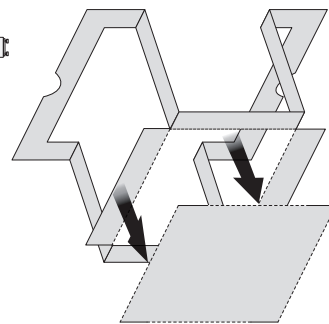


Saque la hoja de instrucciones

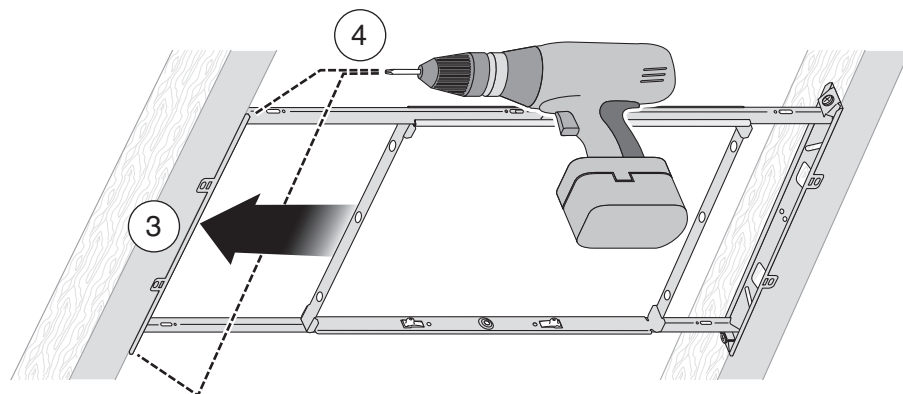
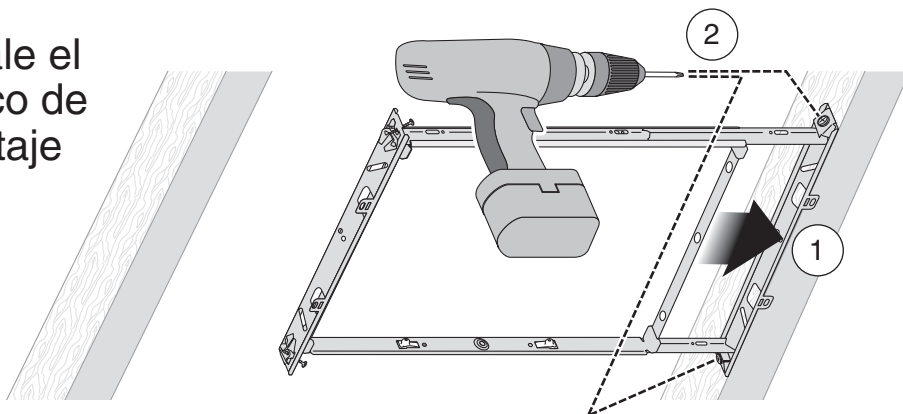


Retire las bombillas CFL del envoltorio de protección

Retire la cubierta protectora del empaque. Proceda con el paso 6.

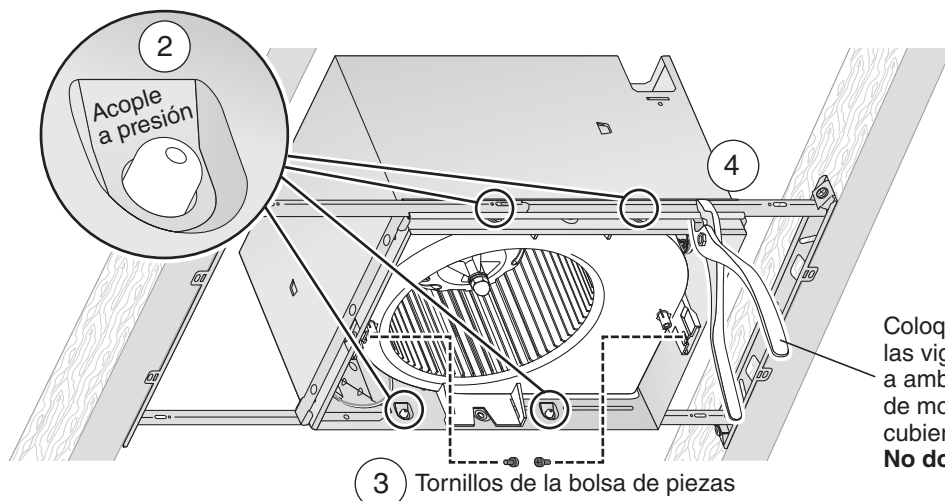
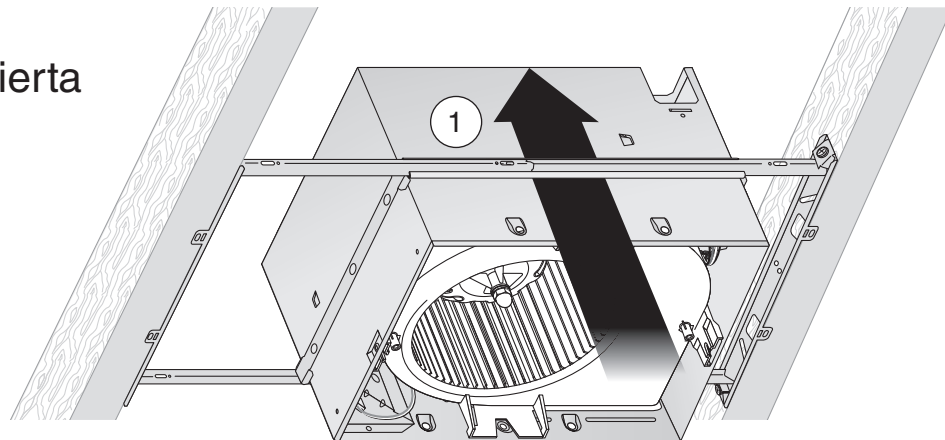


2 Instale el marco de montaje

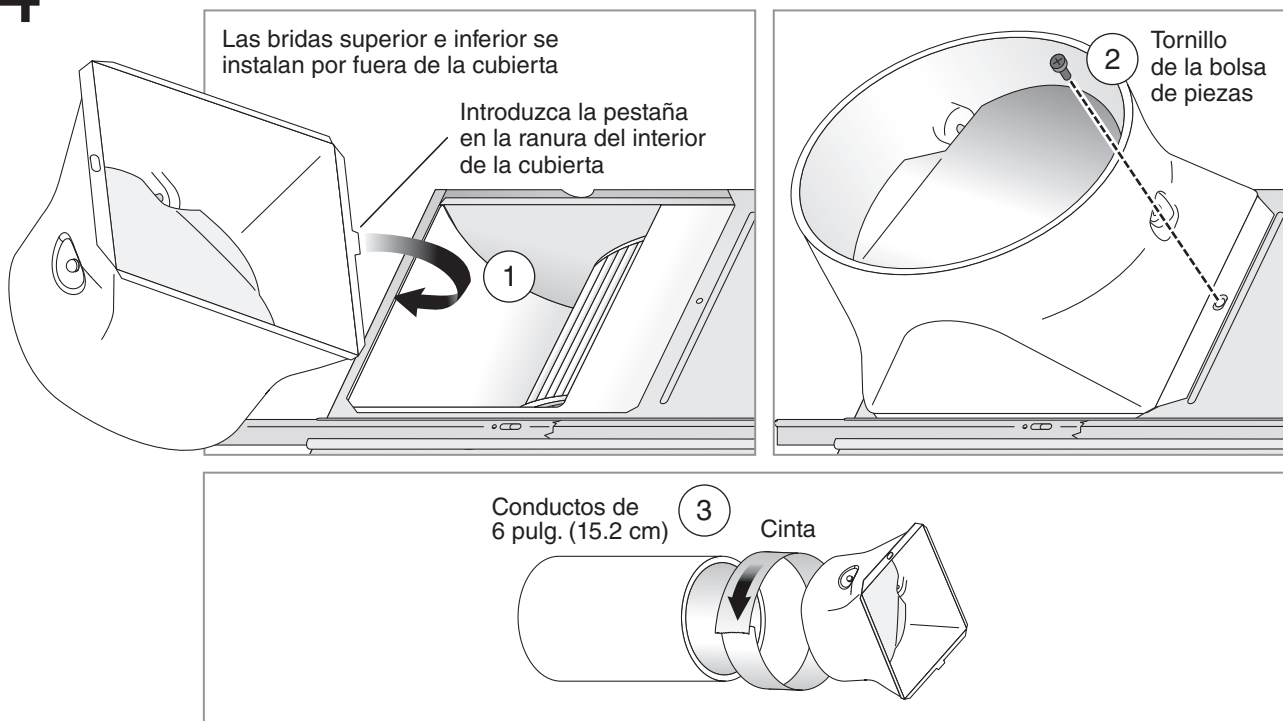


Instalación en una construcción nueva

3 Acople y fije la cubierta



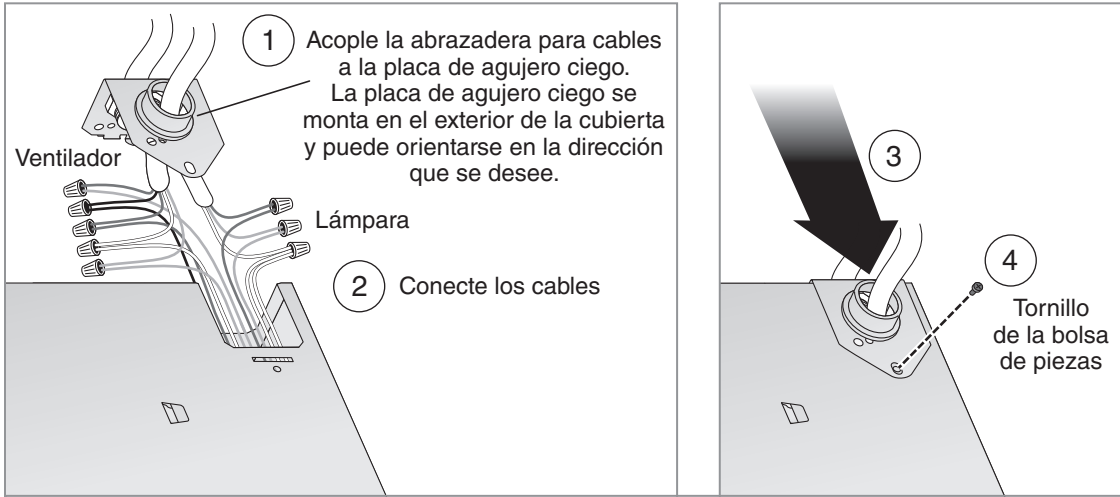
4 Acople el conector de conducto y los conductos



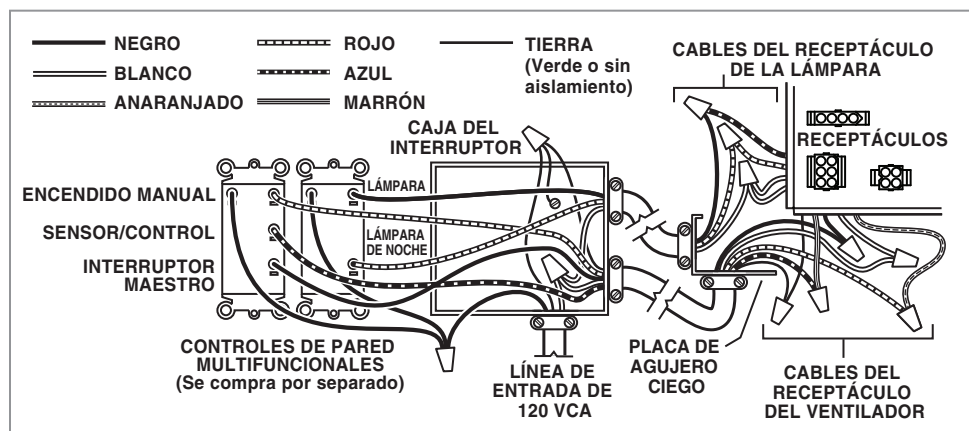
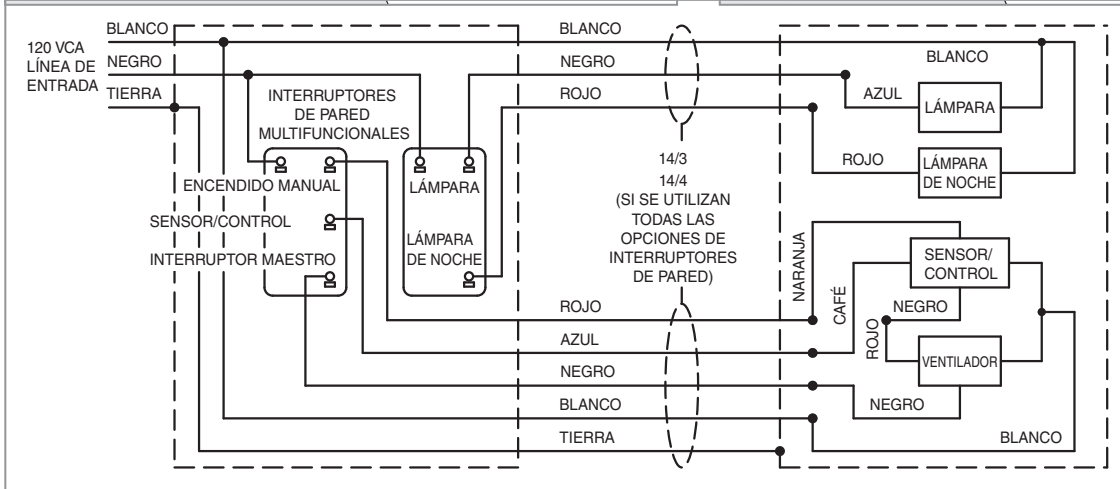
Instalación en una construcción nueva

5 Conecte los cables e instale la placa de agujero ciego

- Tienda el cable eléctrico de 120 VCA hasta el lugar de la instalación.
- Use conectores aprobados por UL para fijar el cableado a la placa de agujero ciego incluida en la bolsa de piezas.
- Conecte los cables tal como se ilustra en el diagrama de cableado.
- No utilice un reductor de intensidad para hacer funcionar la lámpara.



- Vea los detalles de la sección **FUNCIONAMIENTO** en la página 26.
- El interruptor **MAESTRO** enciende y apaga el sistema del ventilador para fines de limpieza y mantenimiento.
- El interruptor del **SENSOR/CONTROL** enciende/apaga el funcionamiento automático del control de humedad.
- El interruptor de **ENCENDIDO MANUAL** aumenta directamente el funcionamiento del ventilador a un índice certificada de flujo de aire.
- El interruptor **MAESTRO** debe estar encendido para el control de humedad o en interruptor de **ENCENDIDO MANUAL** para cambiar el funcionamiento del ventilador a un certificado flujo de aire.

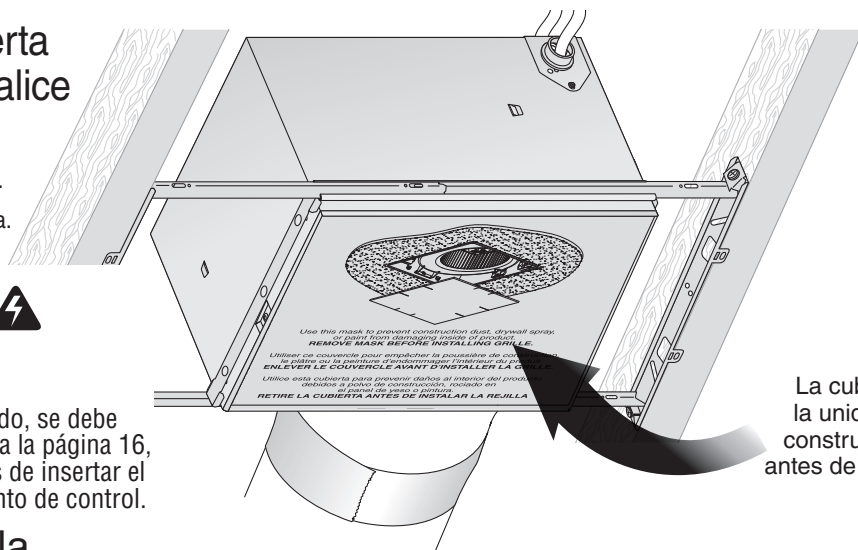


- No se requiere que el interruptor de **ENCENDIDO MANUAL** encienda manualmente el ventilador (vea la página 24).
- Se pueden combinar los interruptores **MAESTRO** y **SENSOR/CONTROL** (vea la página 24).
- El interruptor **MAESTRO**, junto o por separado del interruptor **SENSOR/CONTROL**, se puede colocar donde no se pueda tener acceso fácilmente para uso diario; tal vez sea necesario etiquetarlo y situarlo donde no se pueda encender sin ser visto desde el ventilador para cumplir con los códigos locales y nacionales.

Instalación en una construcción nueva

6 Inserte la cubierta protectora y finalice el cielo raso

- Instale el material del cielo raso.
- Recorte alrededor de la cubierta.

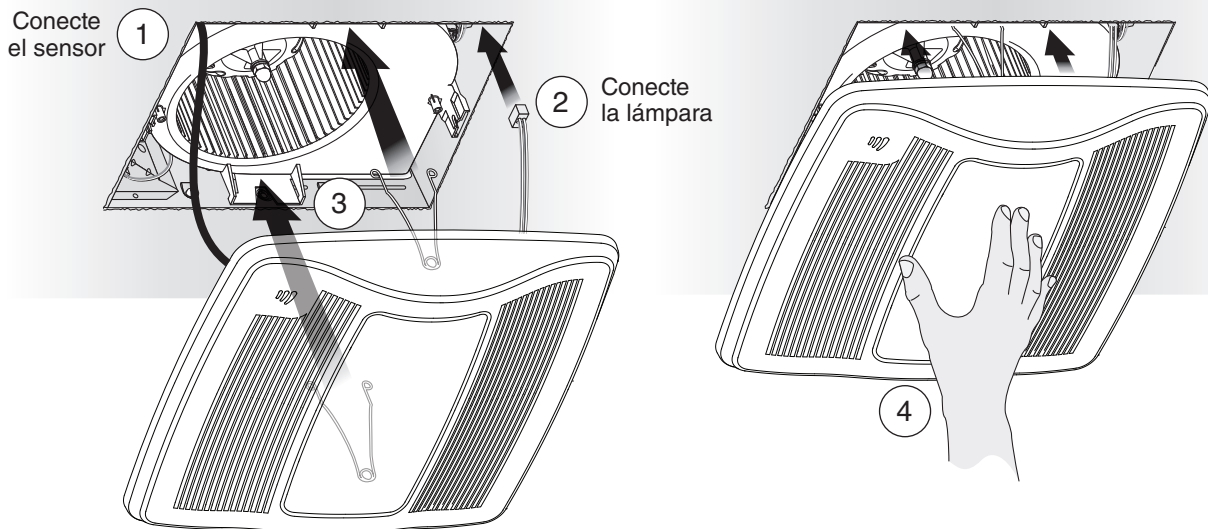


La cubierta protege la unidad durante la construcción. Retírela antes de instalar la rejilla.

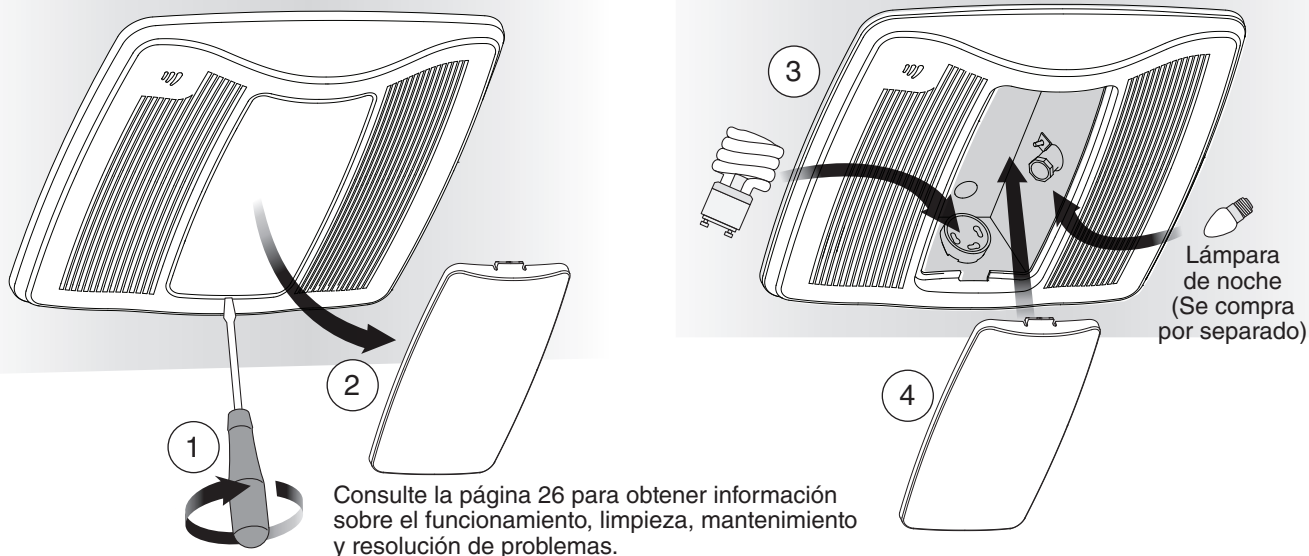
PRECAUCIÓN PARA PREVENIR DAÑOS EN EL MOTOR/CONTROL:

Si el motor estaba desconectado, se debe desconectar la electricidad (vea la página 16, ADVERTENCIA, punto 2) antes de insertar el enchufe del motor en el conjunto de control.

7 Instale la rejilla



8 Instale las bombillas



Consulte la página 26 para obtener información sobre el funcionamiento, limpieza, mantenimiento y resolución de problemas.

Instalación de conversión

Herramientas necesarias

- Destornillador eléctrico con cabeza Phillips
- Destornillador Phillips
- Destornillador de cabeza plana
- Alicates
- Desferrador de cables
- Cortador de cables
- Regla
- Lápiz
- Sierra para panel de yeso
- Martillo de uñas o pata de cabra
- Navaja utilitaria

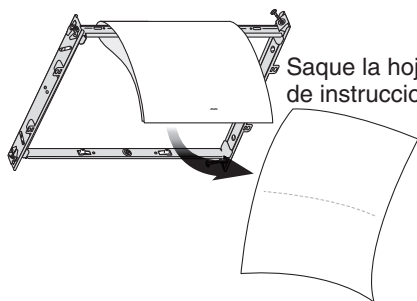
Materiales necesarios

- Cinta para sellar las conexiones de los conductos
- Los conductos rígidos existentes requerirán la adición de un tramo corto de conducto flexible
- Cableado eléctrico y suministros según los requisitos de los códigos locales
- Bombilla para lámpara de noche de 4W (máx.) y del tipo C7

1 Saque el producto de su empaque

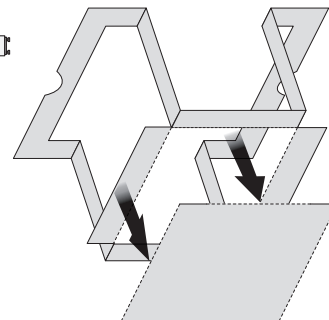
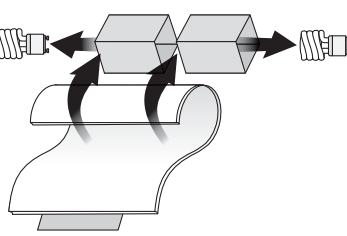


La bolsa de piezas contiene la placa de agujero ciego y seis (6) tornillos



Saque la hoja de instrucciones

Retire las bombillas CFL del envoltorio de protección Retire la cubierta protectora del empaque. Proceda con el paso 12.

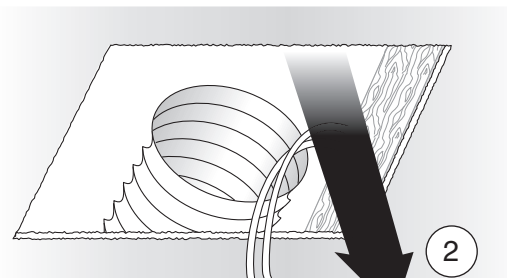
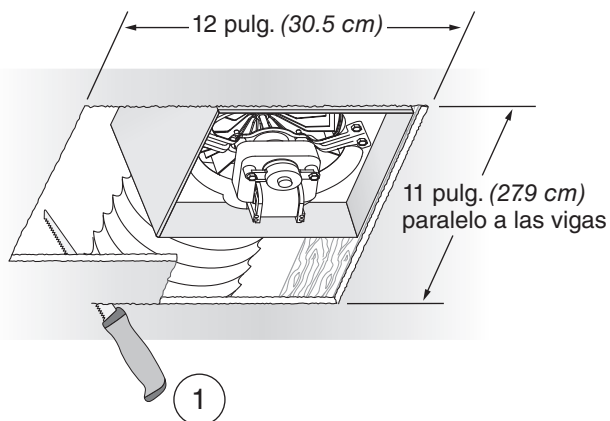


2 Apague la unidad

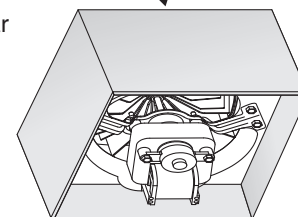
ADVERTENCIA

Antes de quitar la unidad existente, interrumpa el suministro eléctrico en el panel de servicio y bloquee los medios de desconexión del servicio para evitar que la electricidad se reanude accidentalmente. Cuando no sea posible bloquear los medios de desconexión del servicio, fije firmemente una señal de advertencia (como una etiqueta) en un lugar visible del panel de servicio.

3 Agrande la abertura del cielo raso y retire el ventilador existente



Conductos existentes y cableado en su lugar

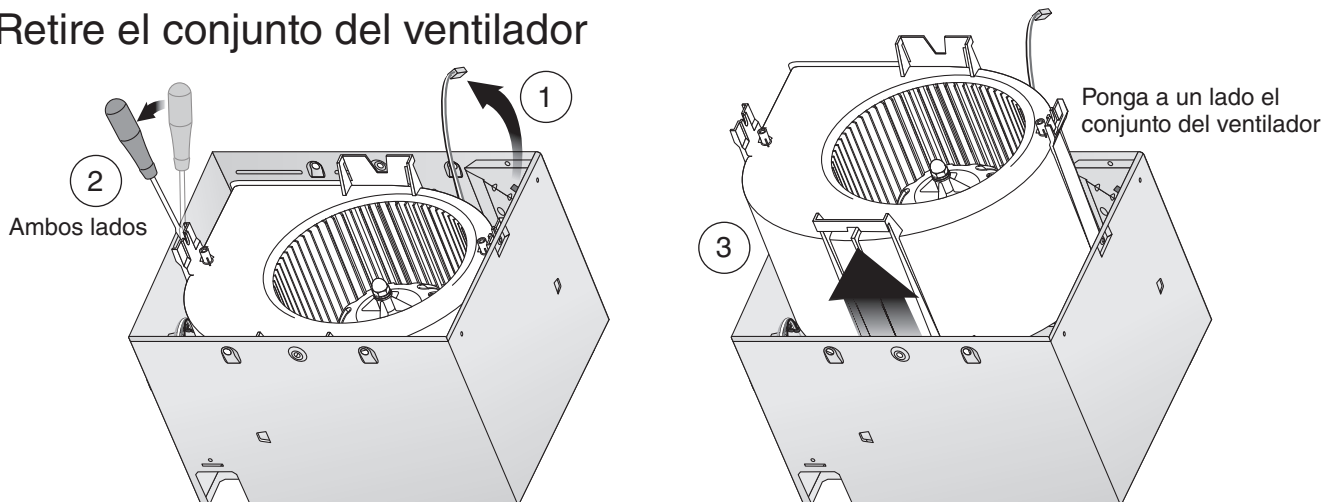


4 Examine el cableado

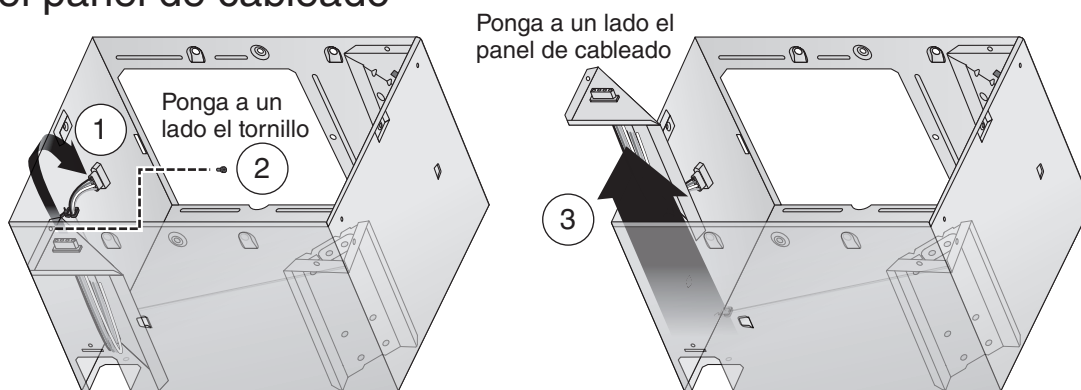
Examine el cableado existente para asegurarse de que no esté dañado. Si encuentra algún daño, **NO CONTINÚE CON LA INSTALACIÓN** de este producto. Encargue la reparación a personas debidamente capacitadas.

Instalación de conversión

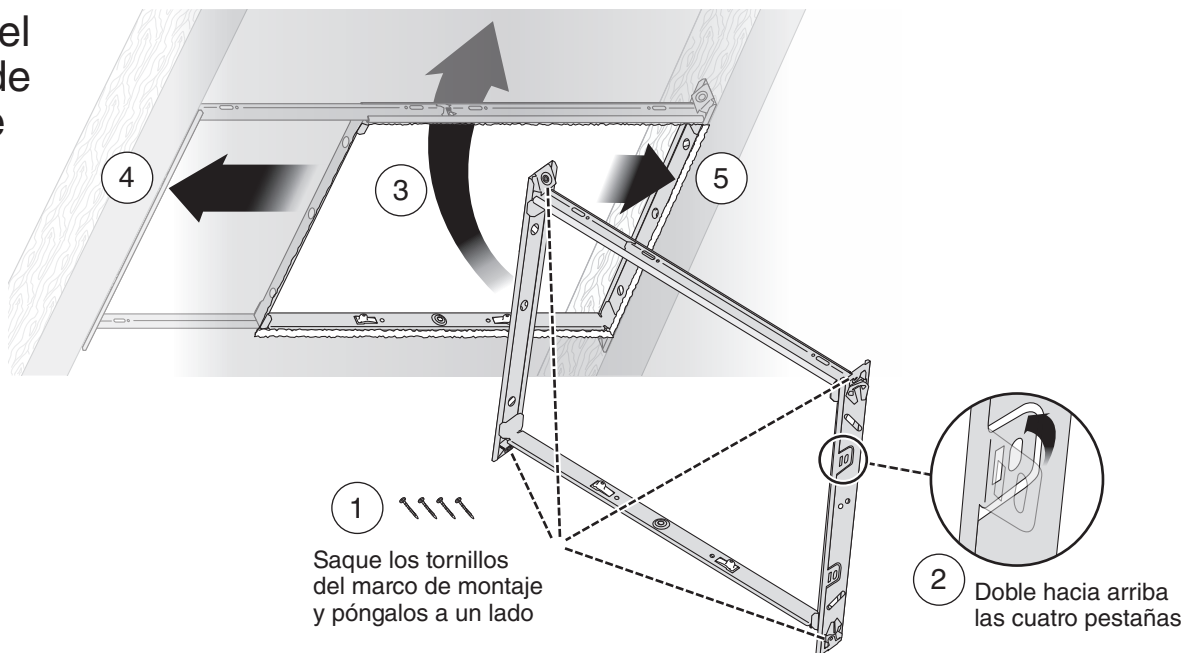
5 Retire el conjunto del ventilador



6 Retire el panel de cableado

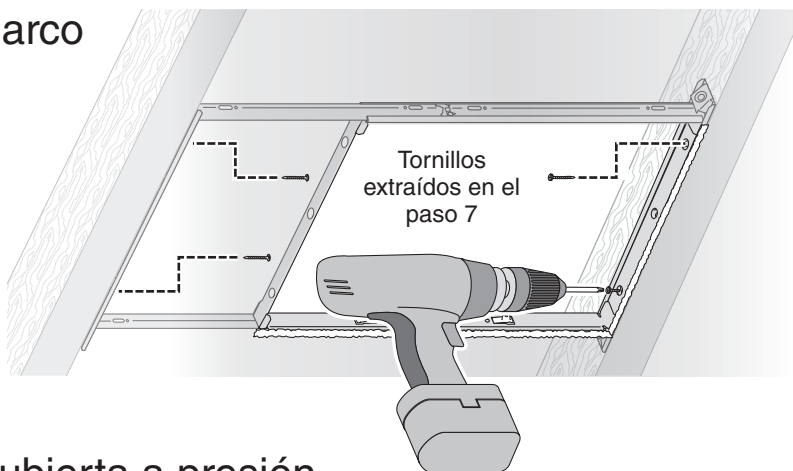


7 Inserte el marco de montaje

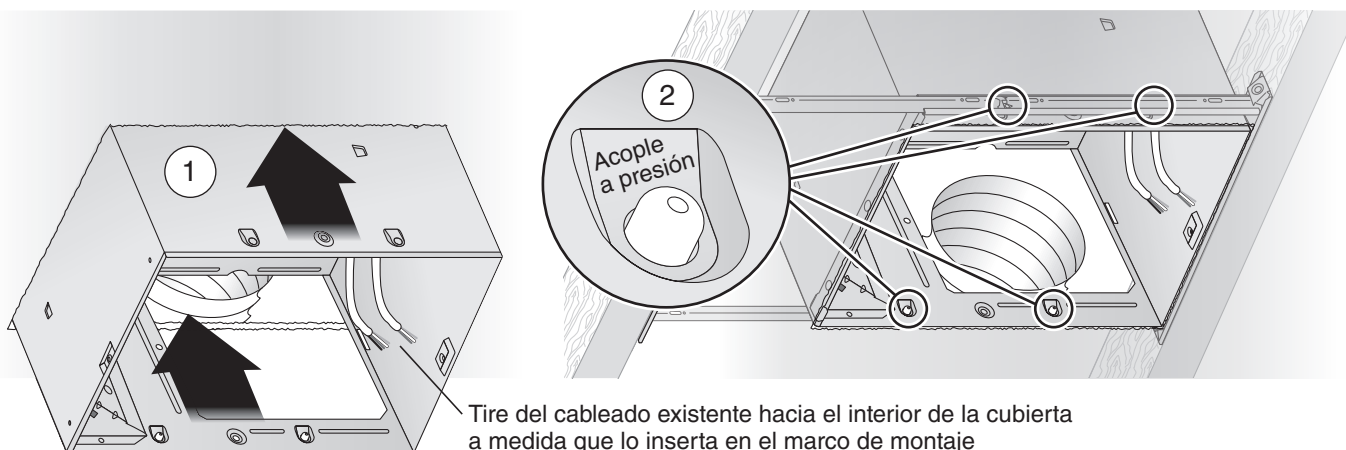


Instalación de conversión

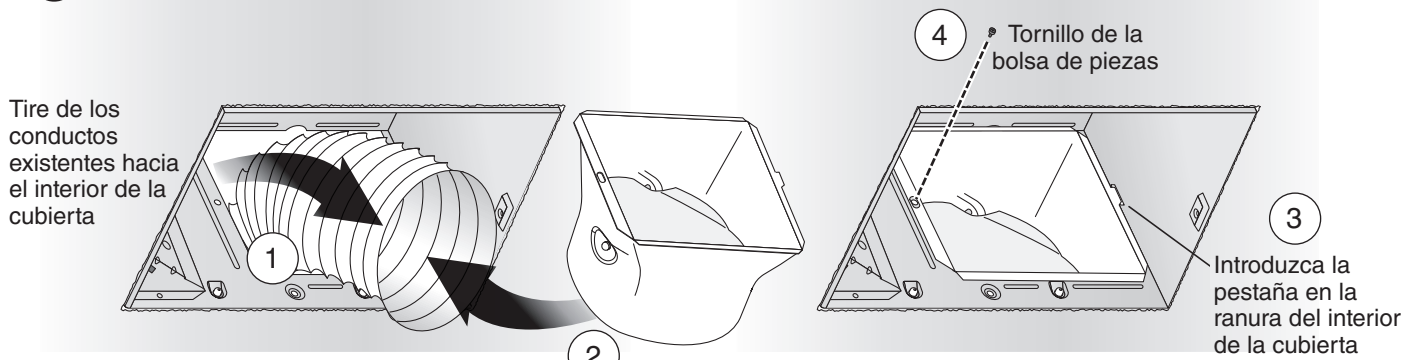
8 Sujete el marco de montaje



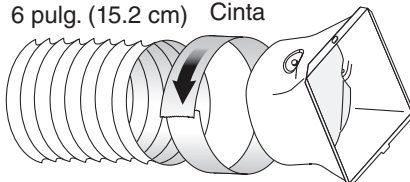
9 Encaje la cubierta a presión



10 Acople el conector de conductos y los conductos



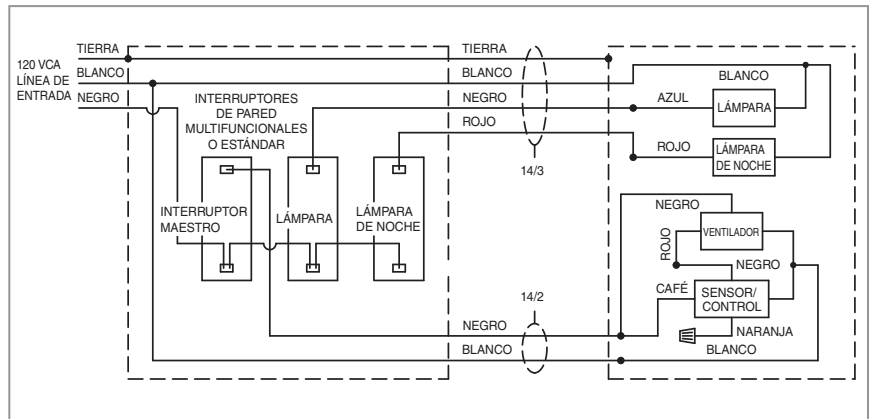
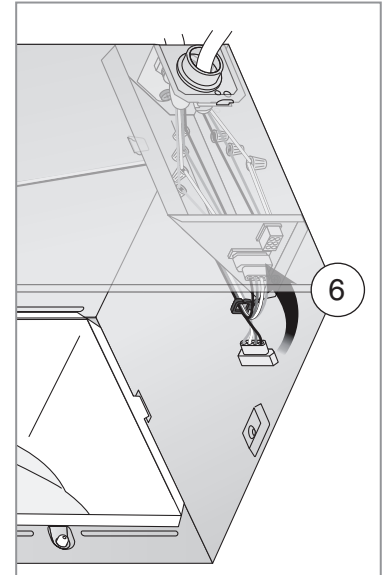
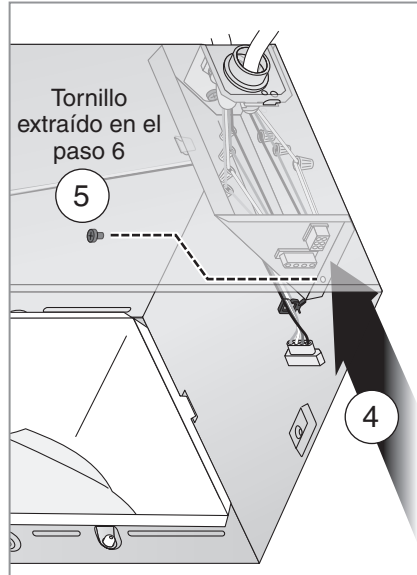
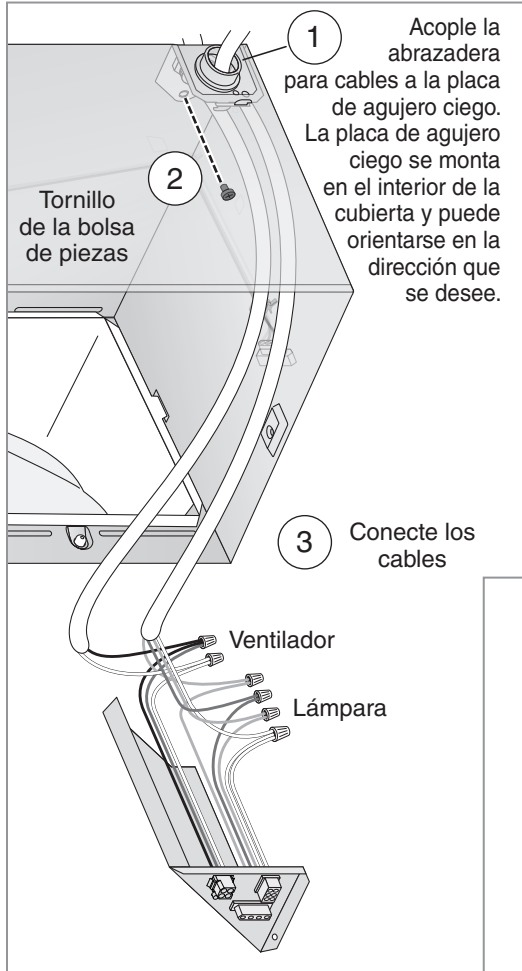
Conductos de 6 pulg. (15.2 cm) Cinta



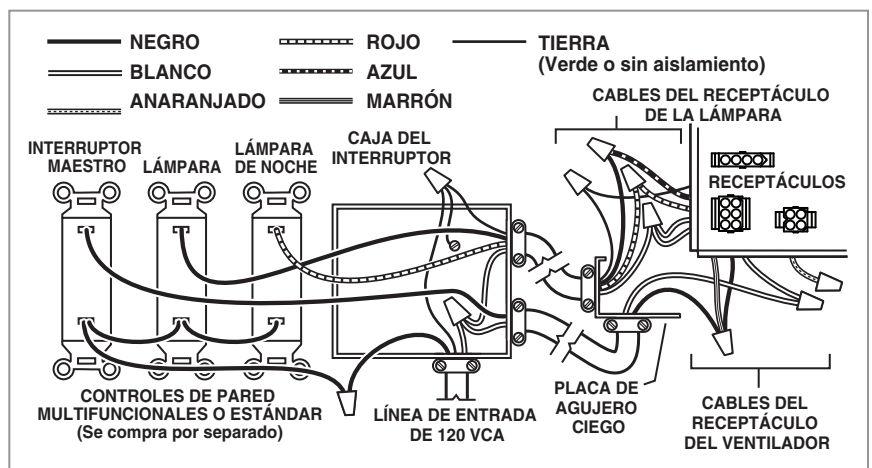
Instalación de conversión

11 Instale la placa de agujero ciego, conecte los cables e instale el panel de cableado

- Use conectores aprobados por UL para fijar el cableado a la placa de agujero ciego incluida en la bolsa de piezas.
- Conecte los cables tal como se ilustra en el diagrama de cableado.
- No utilice un reductor de intensidad para hacer funcionar la lámpara.



- Vea los detalles de la sección **FUNCIONAMIENTO** en la página 26.
- El interruptor MAESTRO enciendala el sistema de ventilador junto con el control de humedad, y los apaga para fines de limpieza y mantenimiento.
- Se puede usar el modo alterno para aumentar manualmente el flujo de aire de funcionamiento del ventilador a un nivel certificado.
- El interruptor MAESTRO se puede colocar donde no se pueda tener acceso fácilmente para uso diario; tal vez sea necesario etiquetarlo y colocarlo donde no se pueda encender sin ser visto desde el ventilador para cumplir con los códigos locales y nacionales.

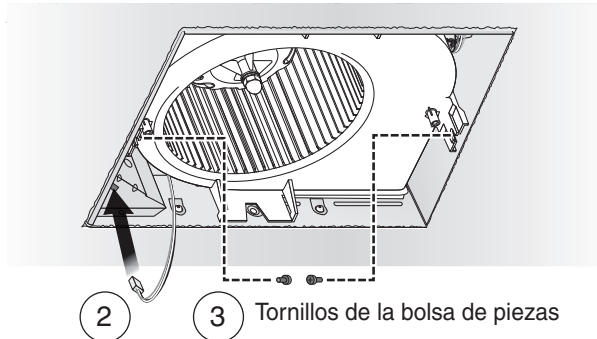
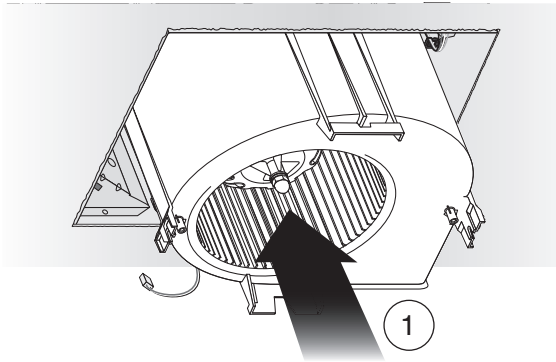


Instalación de conversión

12 Inserte y fije el conjunto del ventilador

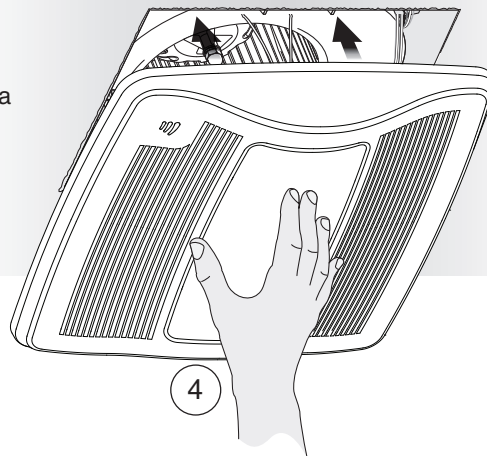
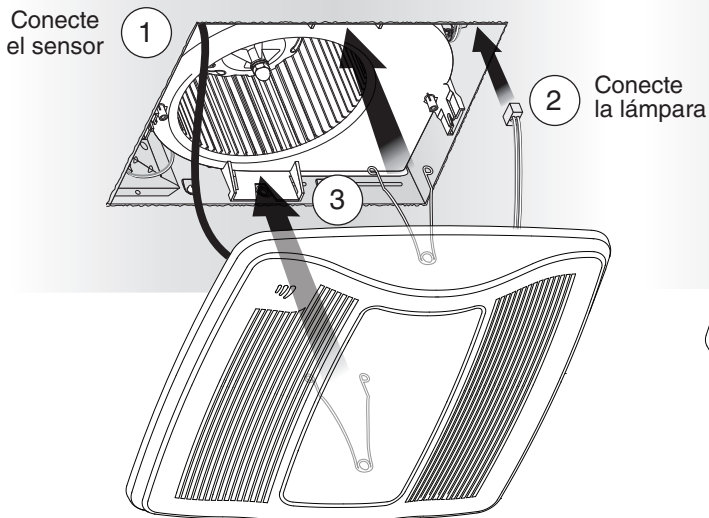
PRECAUCIÓN ⚠️ ⚡ **PARA PREVENIR DAÑOS EN EL MOTOR/CONTROL:**

Debe desconectar la electricidad (vea la página 16, ADVERTENCIA, punto 2) antes de insertar el enchufe del motor en el conjunto de control.

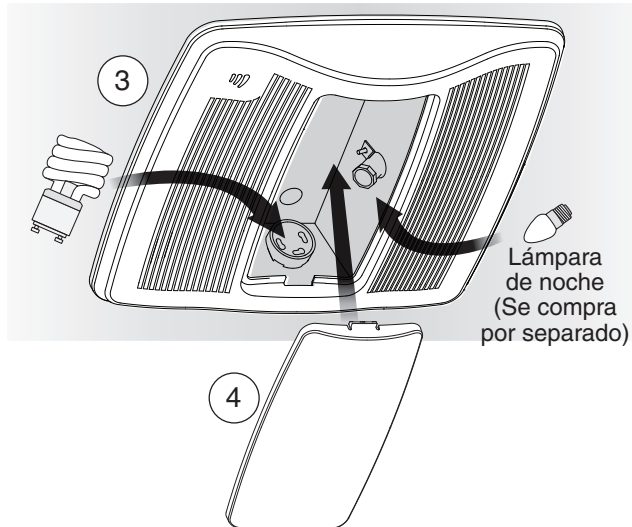
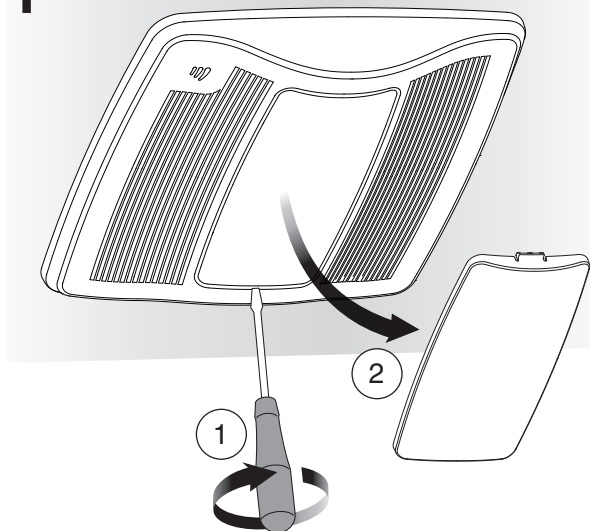


Si es necesario realizar reparaciones en el cielo raso, coloque el protector en la cubierta después de haber fijado el conjunto del ventilador. Consulte el paso 6 sobre la instalación en una construcción nueva. Retire la cubierta protectora antes de instalar la rejilla.

13 Instale la rejilla



14 Instale las bombillas



ADVERTENCIA ⚡ Antes de dar servicio a la unidad o de limpiarla, interrumpa el suministro eléctrico en el panel de servicio y bloquee los medios de desconexión del servicio para evitar que la electricidad se reanude accidentalmente. Cuando no sea posible bloquear los medios de desconexión del servicio, fije firmemente una señal de advertencia (como una etiqueta) en un lugar visible del panel de servicio.

Funcionamiento

Es normal que este ventilador para tomar aproximadamente 5 segundos para empezar a correr después de que se encienda.

Modos

(Como referencia, los diagramas de cableado se encuentran en las páginas 19 y 24).

Ventilación continua:

1. Encienda el interruptor de pared maestro (asegúrese de que todos los demás interruptores de pared están apagados).
2. El ventilador funciona a un índice nominal de flujo de aire ajustable por el usuario.

Detección de humedad:

1. Si el interruptor de pared maestro todavía no está encendido, enciéndalo.
2. Encienda el interruptor de pared del sensor/control (asegúrese de que todos los demás interruptores de pared están apagados). Es posible que algunas instalaciones no dispongan de un interruptor de pared independiente para el sensor/control, y que este interruptor esté combinado con un interruptor de pared maestro.
3. El sensor controla el nivel de humedad en caso de que se produzca un (a) ascenso de moderado a rápido o (b) si sobrepasa un nivel preestablecido.
4. El ventilador funciona a un índice certificada de flujo de aire para reducir la humedad.
5. Cuando la humedad disminuye, el ventilador entra en el modo de retardo de tiempo. (Vea más abajo.)

Encendido manual (se debe instalar un interruptor de pared opcional para el encendido manual):

1. Encienda los interruptores de pared principal y de encendido manual (el interruptor de pared del sensor/control puede estar encendido o apagado).
2. El ventilador funciona a un índice certificada de flujo de aire.
3. Cuando el interruptor de pared de encendido manual está apagado, el ventilador pasa al modo de retardo de tiempo. (Vea más abajo.)

Alternar entre encendido y apagado (para la operación manual cuando el interruptor de pared opcional para el encendido manual no está instalado):

1. Si el interruptor de pared maestro todavía no está encendido, enciéndalo.
2. Encienda el interruptor de pared del sensor/control (asegúrese de que todos los demás interruptores de pared están apagados). Es posible que algunas instalaciones no dispongan de un interruptor de pared independiente para el sensor/control; en los casos en que este interruptor esté combinado con un interruptor de pared maestro, encienda y apague el interruptor de pared maestro siguiendo las instrucciones a continuación.
3. Espere al menos 1 segundo.
4. Apague el interruptor de alimentación durante al menos de 1 segundo.
5. Vuelva a encender el interruptor.
6. El ventilador funcionará a una velocidad certificada de flujo de aire y entrará en el modo de retardo de tiempo. (Vea a continuación.)

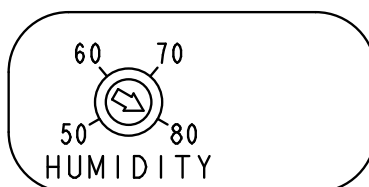
Retardo de tiempo:

El ventilador continúa funcionando a una velocidad certificada de flujo de aire hasta que haya pasado por el usuario ajustable retardo de tiempo, y luego se vuelve fan de caudal de aire velocidad ajustable por el usuario.

Cómo configurar el nivel de sensibilidad a la humedad ajustable por el usuario**

Usando un destornillador pequeño de cabeza plana, gire con cuidado el control de ajuste de la humedad hasta que la flecha apunte al nivel de humedad deseado, expresado en porcentajes de humedad relativa (%RH).

** El control del sensor de humedad ajustable por el usuario está situado en la esquina de la cubierta del ventilador, detrás de la rejilla.



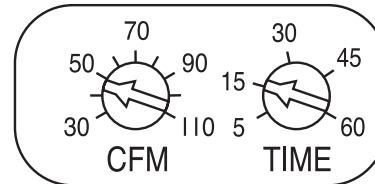
Cómo ajustar el índice de flujo de aire ajustable por el usuario*

Utilizando un destornillador pequeño de cabeza plana, gire con cuidado el control de ajuste CFM (pies cúbicos por minuto) hasta que la flecha apunte al índice de flujo de aire deseado.

Cómo ajustar el tiempo de espera ajustable por el usuario*

Utilizando un destornillador pequeño de cabeza plana, gire con cuidado el control de ajuste del TIEMPO hasta que la flecha apunte al tiempo de espera deseado, expresado en minutos.

* Los controles ajustables por el usuario están situados en una esquina de la cubierta del ventilador, detrás de la rejilla.



Para APAGAR el ventilador

APAGUE el interruptor maestro.

Limpieza y mantenimiento

PRECAUCIÓN ⚠ ⚡

PARA PREVENIR DAÑOS EN EL MOTOR/CONTROL:

NO retire el enchufe del motor para detener el giro del motor.

La electricidad debe estar desconectada (vea la ADVERTENCIA en la parte superior izquierda de esta página) antes de retirar o insertar el enchufe del motor en el conjunto de control.

Para limpiarlo

Para lograr un funcionamiento silencioso y eficiente, además de una larga vida útil y una apariencia atractiva, retire la rejilla y aspire el interior de la unidad con un accesorio del cepillo para quitar el polvo.

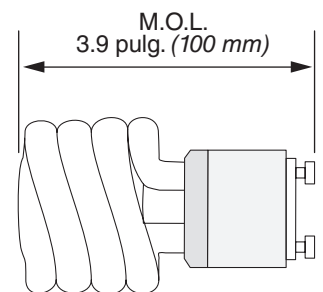
No use sprays limpiadores, solventes ni agua en el sensor o cerca del mismo.

El motor está permanentemente lubricado y nunca necesitará aceite. Si el motor hace ruidos excesivos o inusuales, reemplace el conjunto de control y el motor.

Para cambiar las bombillas

Consulte el paso 14 sobre la instalación de conversión (página 25).

1. Con cuidado, inserte un destornillador plano pequeño entre la rejilla y la lente, y gírelo para sacar la lente.
2. Compre dos (2) lámparas fluorescentes tipo GU24 de 18 W (máx.), con una longitud total máxima (MOL) de 3.9 pulg. (100 mm). Compre una bombilla incandescente para lámpara de noche tipo C7 de 4 W (máx.).
3. Inserte las bombillas en sus receptáculos. Vuelva a colocar la lente.



Resolución de problemas

Antes de continuar, desconecte la electricidad, como se señaló en las secciones ADVERTENCIA y PRECAUCIÓN de la página anterior.

Síntoma: El ventilador no funciona.

- Compruebe si hay un fusible o un interruptor automático abierto en el panel de servicio del edificio.
- Asegúrese de que los dos (2) conectores de enchufe del motor y de su control estén bien afianzados en su lugar.
- Asegúrese de que los dos (2) conectores de enchufe del sensor y de su control estén bien afianzados en su lugar.
- Compruebe que la rueda del ventilador gire sin obstrucciones.

Síntoma: El modo de humedad no hace funcionar el ventilador al índice nominal de flujo de aire.

- Asegúrese de que los dos (2) conectores de enchufe del sensor y de su control estén bien afianzados en su lugar.

Síntoma: El ventilador funciona de forma errática.

- Compruebe que la rueda del ventilador esté firmemente acoplada al eje del motor y que ambos giren sin obstrucciones.

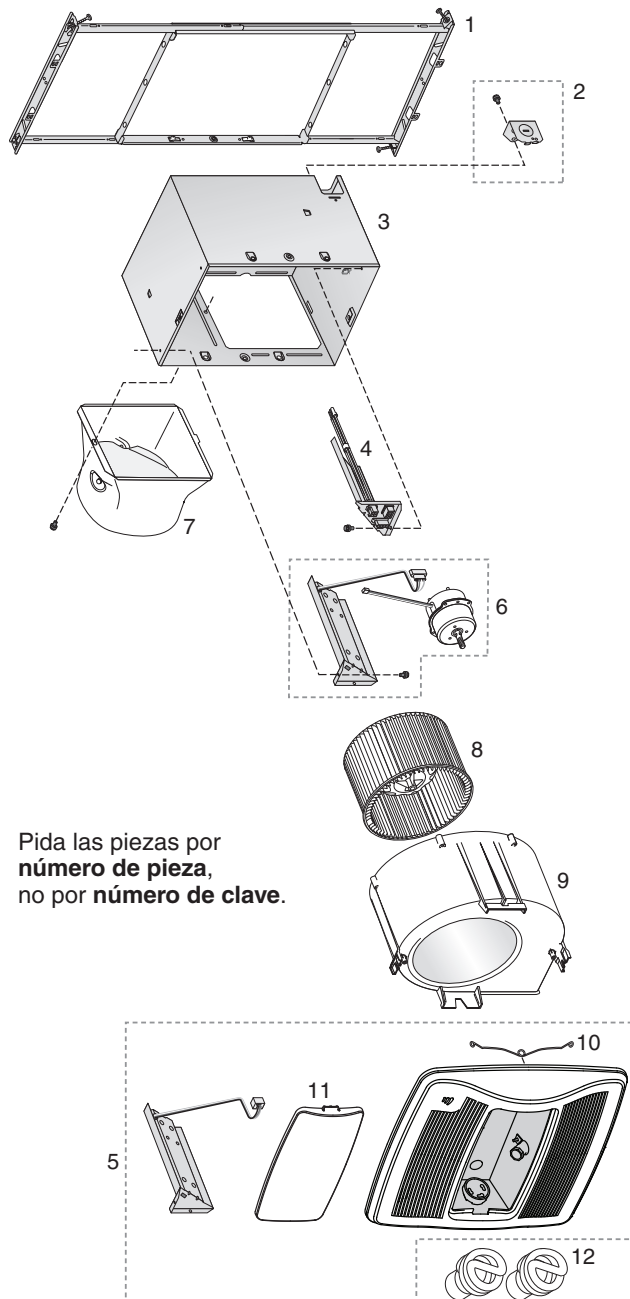
Síntoma: El ventilador hace demasiado ruido.

- Compruebe que el regulador de tiro invertido del conector de conductos del ventilador gire sin obstrucciones. Los tornillos utilizados para afianzar el conducto al conector de conductos pueden impedir que el regulador de tiro se abra.
- Compruebe que el regulador de tiro invertido del conector de conductos de la tapa de techo o de pared gire sin obstrucciones. Estos reguladores suelen cerrarse accidentalmente después de ser pintados o suelen obstruirse con pájaros o restos de insectos.

Síntoma: El ventilador no ventila adecuadamente la habitación.

- Para ventilar un área específica, ENCIENDA tanto el interruptor maestro como el interruptor de pared del sensor/control, para que el sensor/control haga funcionar al índice nominal de flujo de aire.
- Para ventilar un área específica seguida de ventilación continua, aumente el nivel de "TIME" (Tiempo) del selector de tiempo de espera ajustable por el usuario.
- Para una ventilación continua aumente el nivel de "CFM" correspondiente al índice nominal de flujo de aire ajustable por el usuario.

Piezas de servicio



Pida las piezas por número de pieza, no por número de clave.

N.º de clave	N.º de pieza	Descripción
1	97018349	Marco de montaje
2	97018721	Placa de agujero ciego y tornillos
3	97018382	Cubierta
4	97018474	Conjunto del panel de cableado/ mazo de cables
5	97019012	Conjunto de control de humedad y Conjunto de la rejilla (incluye 10, 11)
6	97018756	Conjunto de control y motor
7	97018331	Conector de conductor - 6 pulg. (15.2 cm)
8	99020301	Rueda del ventilador
9	97018768	Conjunto del desplazador
10	99140208	Resorte de la rejilla (se requieren 2)
11	99111542	Lente
12	99271381	Bombilla GU24 FLUORESCENTE 18W 3500K (se requieren 2)

Garantía

Garantía limitada para las luces/ventilador para ventilación Broan

PERÍODO DE LA GARANTÍA: Broan le garantiza al comprador consumidor original de su lámpara/ventilador para ventilación Broan (el "Ventilador") que su ventilador (a excepción de lámparas/lámparas de noche que vienen con el Ventilador es de un (1) año y no cubre la rotura de las mismas. Esta garantía no cubre accesorios tales como controles de velocidad que pueden adquirirse por separado y que se instalan con el Ventilador.

El período de garantía limitada para los repuestos y para los Ventiladores reparados o reemplazados bajo esta garantía limitada continuará durante el período restante de la garantía original.

AUSENCIA DE OTRAS GARANTÍAS: LAS SIGUIENTES GARANTÍAS SON EXCLUSIVAS Y SE RELACIONAN CON TODA OTRA GARANTÍA EXPRESA O IMPLÍCITA. BROAN RENUNCIA Y EXCLUYE TODA OTRA GARANTÍA EXPRESA Y RENUNCIA Y EXCLUYE TODA GARANTÍA QUE EXIJA LA LEY, INCLUYENDO PERO NO LIMITÁNDOSE A AQUELLAS RELACIONADAS CON LA COMERCIALIZACIÓN Y LA APTITUD PARA UN FIN EN PARTICULAR. EN TANTO LA LEY CORRESPONDIENTE PROHIBA LA EXCLUSIÓN DE LAS GARANTÍAS IMPLÍCITAS, LA DURACIÓN DE TODA GARANTÍA IMPLÍCITA APLICABLE SE LIMITA AL PERÍODO ESPECIFICADO PARA LA GARANTÍA EXPRESA. Algunos estados no permiten limitaciones sobre cuál es la duración de una garantía implícita, de modo que la limitación antes mencionada puede no aplicarse a su caso. Toda descripción escrita u oral del Ventilador es al sólo fin de identificarlo y no deberá tomarse como una garantía expresa.

COMPENSACIÓN: Durante el transcurso del período aplicable de la garantía limitada, Broan, a su discreción, proporcionará repuestos, reparación o reemplazo, en forma gratuita, para cualquier Ventilador o cualquiera de sus piezas, en tanto Broan considere que está cubierto por y en violación de esta garantía limitada. Broan le enviará el Ventilador reparado o su reemplazo o los repuestos en forma gratuita. Usted es responsable de los costos de retiro, reinstalación y envío, seguros y otros cargos por flete que se generen durante el transporte del Ventilador o del repuesto a Broan. Esta garantía no cubre (a) el mantenimiento y el servicio normales, (b) el desgaste normal, (c) todo Ventilador o repuesto sometido a mal uso, abuso, uso anormal, negligencia, accidente, mantenimiento inadecuado o insuficiente, conservación o reparación (que no sea la reparación realizada por Broan), (d) daños provocados por instalación defectuosa o instalación o uso contrario a las recomendaciones o instrucciones, (e) todo Ventilador que se haya trasladado del punto original de instalación, (f) daño provocado por elementos naturales o ambientales, (g) daño durante el transporte, (h) desgaste natural del acabado, (i) Ventiladores en uso comercial o no residencial o (j) daño provocado por incendio, inundación u otro caso fortuito. Esta garantía cubre sólo a los Ventiladores que se venden en los Estados Unidos o a través de representantes de los Estados Unidos autorizados por Broan.

EXCLUSIÓN DE DAÑOS: LA OBLIGACIÓN DE BROAN DE PROPORCIONAR REPUESTOS O LA REPARACIÓN O EL REEMPLAZO, A DISCRECIÓN DE BROAN, SERÁ LA ÚNICA Y EXCLUSIVA COMPENSACIÓN BAJO EL AMPARO DE ESTA GARANTÍA LIMITADA Y LA ÚNICA Y EXCLUSIVA OBLIGACIÓN DE BROAN. BROAN NO SERÁ RESPONSABLE DE DAÑOS INCIDENTALES, INDIRECTOS, EMERGENTES O ESPECIALES QUE SURJAN DE O EN CONEXIÓN CON EL VENTILADOR, SU USO O FUNCIONAMIENTO. Los daños incidentales incluyen, pero no se limitan a, daños tales como pérdida de tiempo o pérdida del uso. Los daños emergentes incluyen pero no se limitan al costo de la reparación o reemplazo de otra propiedad que haya sufrido daños en caso del mal funcionamiento del Ventilador.

Algunos estados no permiten la exclusión o la limitación de los daños incidentales o emergentes, de modo que la limitación o la inclusión antes mencionada puede no aplicarse a su caso. Esta garantía le otorga derechos legales específicos y usted también podrá gozar de otros derechos que varían según el estado.

Esta garantía reemplaza a todas las garantías anteriores y no es transferible por el comprador consumidor original.

BROAN NO SERÁ RESPONSABLE ANTE USTED, O ANTE CUALQUIER PERSONA QUE RECLAME EN SU NOMBRE, DE NINGUNA OTRA OBLIGACIÓN O RESPONSABILIDAD, QUE INCLUYE, PERO NO SE LIMITA A, LAS OBLIGACIONES O RESPONSABILIDADES QUE SURJAN DE LA VIOLACIÓN DEL CONTRATO O DE LA GARANTÍA, NEGLIGENCIA U OTRO AGRAVIO O CUALQUIER TEORÍA SOBRE LA RESPONSABILIDAD ESTRICTA, CON RESPECTO AL VENTILADOR O A LOS ACTOS U OMISIONES U OTROS POR PARTE DE BROAN.

Esta garantía cubre sólo el reemplazo o la reparación de los Ventiladores o piezas con defectos del mismo en la plana principal de Broan y no incluye los costos del transporte del servicio en campo ni los gastos de estadía.

Toda asistencia que Broan le brinde o procure fuera de los términos, las limitaciones o las exclusiones de esta garantía limitada no constituirá una renuncia a dichos términos, limitaciones o exclusiones ni dicha asistencia extenderá o revivirá la garantía.

Broan no le reembolsará ningún gasto en el que usted incurra en la reparación o reemplazo de cualquier Ventilador defectuoso excepto por aquellos en los que incurra previo a la obtención del permiso por escrito de Broan.

CÓMO OBTENER EL SERVICIO DE LA GARANTÍA: Para calificar para el servicio de garantía, usted debe (a) notificar a Broan a la dirección o al número de teléfono que figura a continuación dentro de los siete (7) días de haber descubierto el defecto cubierto, (b) brindar el número de modelo y la identificación de la pieza y (c) describir la naturaleza de cualquier defecto del Ventilador o de la pieza. A la hora de solicitar el servicio de garantía, usted debe presentar prueba de la fecha original de la compra.

Broan-NuTone LLC, 926 West State Street, Hartford, WI 53027 (1-800-637-1453)
www.broan.com

Si usted debe enviar el Ventilador o la pieza a Broan, según las indicaciones de Broan, debe embalar el Ventilador o la pieza en forma adecuada. Broan no es responsable de los daños ocasionados durante el transporte.