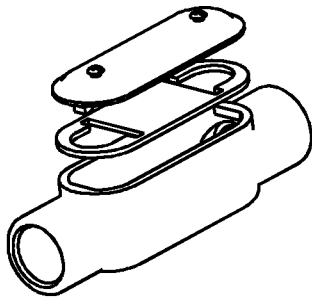
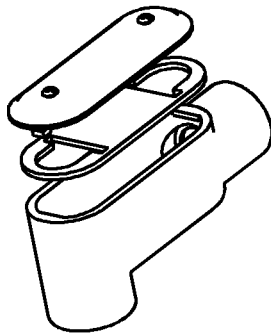




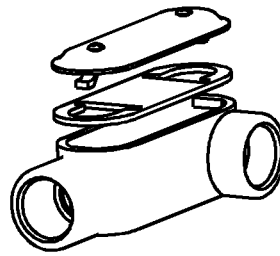
T&B Conduit Bodies



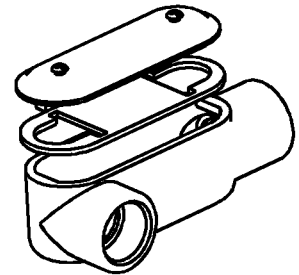
STYLE "C"



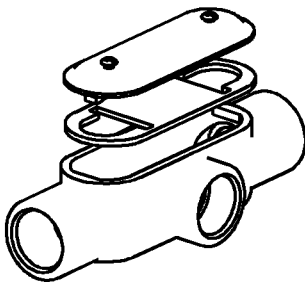
STYLE "LB"



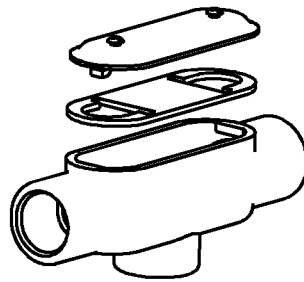
STYLE "LL"



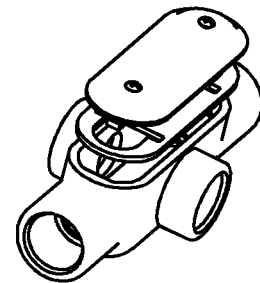
STYLE "LR"



STYLE "T"



STYLE "TB"



STYLE "X"

NOTES:

- MATERIAL: CONDUIT BODY- CLASS 30 GRAY IRON
COVER- CARBON STEEL
GASKET- NEOPRENE
SCREWS- STAINLESS STEEL
- FINISH: CONDUIT BODY- ELECTRO ZINC PLATE WITH ALUMINUM ACRYLIC PAINT
COVER- ELECTRO ZINC PLATE
- ALL CONDUIT BODY ASEMBLIES LISTED FOR WET LOCATIONS
- FOR DIMENSIONAL DATA, SEE SHEETS 2 THRU 5

SIZE	CATALOG NUMBER						
1/2"	C17CG-TB	LB17CG-TB	LL17CG-TB	LR17CG-TB	T17CG-TB	TB17CG-TB	X17CG-TB
3/4"	C27CG-TB	LB27CG-TB	LL27CG-TB	LR27CG-TB	T27CG-TB	TB27CG-TB	X27CG-TB
1"	C37CG-TB	LB37CG-TB	LL37CG-TB	LR37CG-TB	T37CG-TB	TB37CG-TB	X37CG-TB
1-1/4"	C47CG-TB	LB47CG-TB	LL47CG-TB	LR47CG-TB	T47CG-TB	TB47CG-TB	X47CG-TB
1-1/2"	C57CG-TB	LB57CG-TB	LL57CG-TB	LR57CG-TB	T57CG-TB	TB57CG-TB	X57CG-TB
2"	C67CG-TB	LB67CG-TB	LL67CG-TB	LR67CG-TB	T67CG-TB	TB67CG-TB	X67CG-TB

GENERAL NOTES

- ALL DIMENSIONS ARE FOR REFERENCE ONLY.
- DIMENSIONS IN BRACKETS [] ARE IN METRIC UNITS.

REVISIONS

1 SEE ERN 2004151 FOR APPROVAL SIGNATURES & RELEASE DATE. PROJECT NO: RM401818

Thomas & Betts
www.tnb.com

DESCRIPTION:

**CONDUIT BODIES WITH
COVERS AND GASKETS**

ORIGINAL PROJECT NO / (ERN NO)

RM401818 / (2002982)

SHEET NO:

1 OF 5

REV. NO:

1

DRAWING NO:

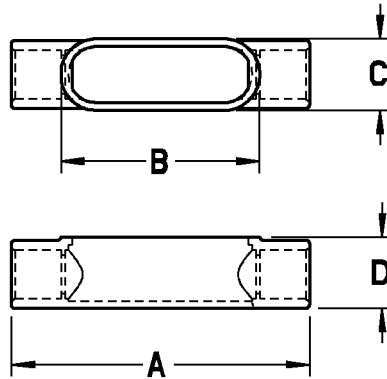
WSD-000056



T&B Conduit Bodies

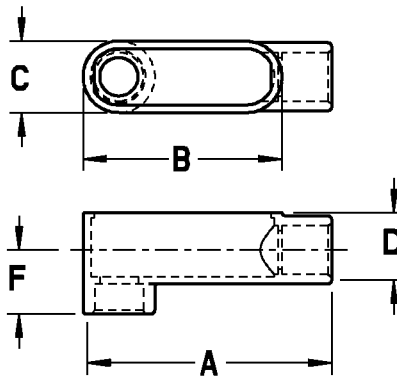


STYLE "C"



SIZE	A	B	C	D	VOLUME CUBIC INCH
1/2"	5.450 [138.43]	3.810 [96.77]	1.450 [36.83]	1.400 [35.56]	4.0 [65.55]
3/4"	6.040 [153.42]	4.480 [113.79]	1.650 [41.91]	1.660 [42.16]	6.6 [108.15]
1"	6.740 [171.2]	5.200 [132.08]	1.780 [45.21]	1.900 [48.26]	10.6 [173.7]
1-1/4"	7.300 [185.42]	5.580 [141.74]	2.200 [55.88]	2.350 [59.69]	19.1 [312.99]
1-1/2"	8.570 [217.68]	5.940 [150.88]	2.450 [62.23]	2.540 [64.52]	26.8 [439.17]
2"	9.480 [240.79]	7.080 [179.83]	3.060 [77.72]	3.000 [76.2]	50.0 [819.35]

STYLE "LB"



SIZE	A	B	C	D	F	VOLUME CUBIC INCH
1/2"	4.620 [117.35]	3.810 [96.77]	1.450 [36.83]	1.400 [35.56]	1.420 [36.07]	4.0 [65.55]
3/4"	5.250 [133.35]	4.480 [113.79]	1.650 [41.91]	1.660 [42.16]	1.540 [39.12]	6.6 [108.15]
1"	6.020 [152.91]	5.200 [132.08]	1.780 [45.21]	1.900 [48.26]	1.670 [42.42]	10.6 [173.7]
1-1/4"	6.440 [163.58]	5.580 [141.74]	2.200 [55.88]	2.350 [59.69]	1.960 [49.78]	18.8 [308.08]
1-1/2"	7.260 [184.4]	5.940 [150.88]	2.450 [62.23]	2.540 [64.52]	2.540 [64.52]	26.4 [432.62]
2"	8.280 [210.31]	7.080 [179.83]	3.060 [77.72]	3.000 [76.2]	2.680 [68.07]	51.0 [835.75]

GENERAL NOTES

- ALL DIMENSIONS ARE FOR REFERENCE ONLY.
- DIMENSIONS IN BRACKETS [] ARE IN METRIC UNITS.

REVISIONS

1 SEE ERN 2004151 FOR APPROVAL SIGNATURES & RELEASE DATE.
PROJECT NO: RM401818

Thomas & Betts
www.tnb.com

DESCRIPTION:

**CONDUIT BODIES WITH
COVERS AND GASKETS**

ORIGINAL PROJECT NO / (ERN NO)
RM401818 / (2002982)

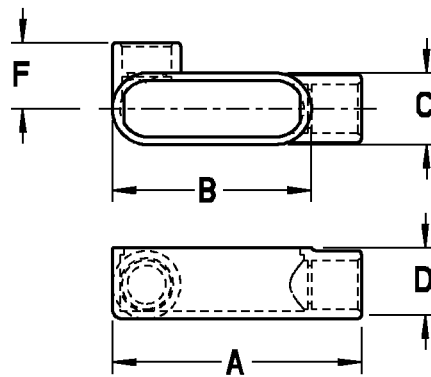
SHEET NO:
2 OF 5

REV. NO:
1

DRAWING NO:
WSD-000056

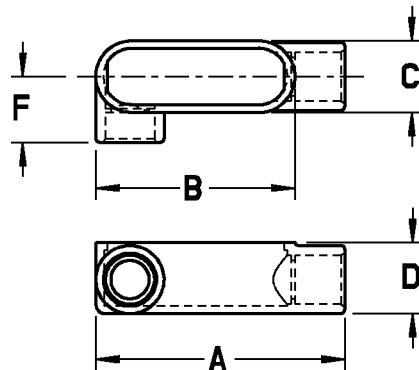


T&B Conduit Bodies



STYLE "LL"

SIZE	A	B	C	D	F	VOLUME CUBIC INCH
1/2"	4.620 [117.35]	3.810 [96.77]	1.450 [36.83]	1.400 [35.56]	1.480 [37.59]	4.0 [65.55]
3/4"	5.250 [133.35]	4.480 [113.79]	1.650 [41.91]	1.660 [42.16]	1.610 [40.89]	6.6 [108.15]
1"	6.020 [152.91]	5.200 [132.08]	1.780 [45.21]	1.900 [48.26]	1.690 [42.93]	10.6 [173.7]
1-1/4"	6.440 [163.58]	5.580 [141.74]	2.200 [55.88]	2.350 [59.69]	1.960 [49.78]	18.8 [308.08]
1-1/2"	6.435 [163.45]	5.940 [150.88]	2.450 [62.23]	2.540 [64.52]	2.540 [64.52]	26.2 [429.34]
2"	8.280 [210.31]	7.080 [179.83]	3.060 [77.72]	3.000 [76.2]	2.730 [69.34]	51.0 [835.75]



STYLE "LR"

SIZE	A	B	C	D	F	VOLUME CUBIC INCH
1/2"	4.620 [117.35]	3.810 [96.77]	1.450 [36.83]	1.400 [35.56]	1.480 [37.59]	4.0 [65.55]
3/4"	5.250 [133.35]	4.480 [113.79]	1.650 [41.91]	1.660 [42.16]	1.610 [40.89]	6.6 [108.15]
1"	6.020 [152.91]	5.200 [132.08]	1.780 [45.21]	1.900 [48.26]	1.690 [42.93]	10.6 [173.7]
1-1/4"	6.440 [163.58]	5.580 [141.74]	2.200 [55.88]	2.350 [59.69]	1.960 [49.78]	18.8 [308.08]
1-1/2"	6.435 [163.45]	5.940 [150.88]	2.450 [62.23]	2.540 [64.52]	2.540 [64.52]	26.2 [429.34]
2"	8.280 [210.31]	7.080 [179.83]	3.060 [77.72]	3.000 [76.2]	2.730 [69.34]	51.0 [835.75]

GENERAL NOTES

- ALL DIMENSIONS ARE FOR REFERENCE ONLY.
- DIMENSIONS IN BRACKETS [] ARE IN METRIC UNITS.

REVISIONS

1 SEE ERN 4014151 FOR APPROVAL SIGNATURES & RELEASE DATE. PROJECT NO: RM401818

Thomas & Betts
www.tnb.com

DESCRIPTION:

**CONDUIT BODIES WITH
COVERS AND GASKETS**

ORIGINAL PROJECT NO / (ERN NO)

RM401818 / (2002982)

SHEET NO:

3 OF 5

REV. NO:

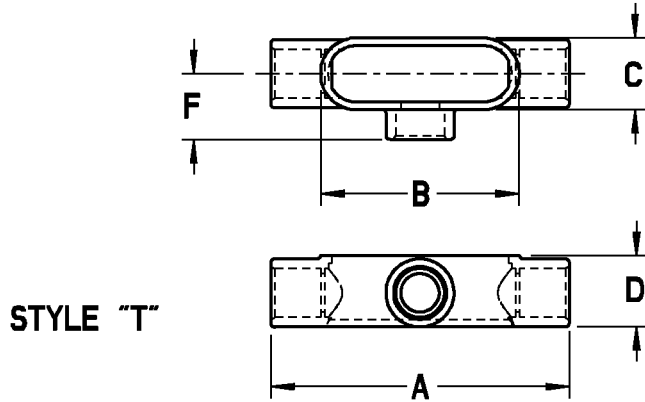
1

DRAWING NO:

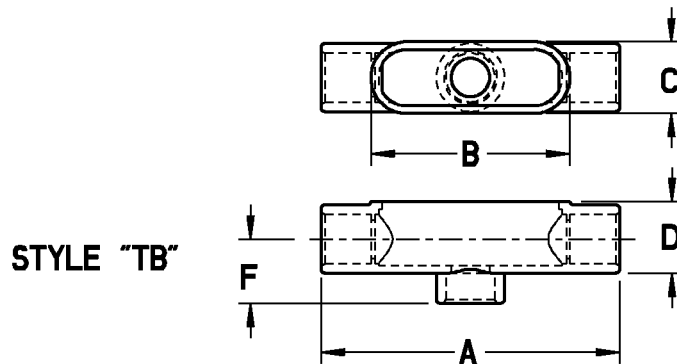
WSD-000056



T&B Conduit Bodies



SIZE	A	B	C	D	F	VOLUME CUBIC INCH
1/2"	5.570 [141.48]	3.840 [97.54]	1.620 [41.15]	1.780 [45.21]	1.540 [39.12]	6.0 [98.32]
3/4"	6.190 [157.23]	4.460 [113.28]	1.800 [45.72]	2.000 [50.8]	1.690 [42.93]	9.1 [149.12]
1"	7.350 [186.69]	5.200 [132.08]	2.300 [58.42]	2.280 [58.91]	1.950 [49.53]	16.9 [276.94]
1-1/4"	7.300 [185.42]	5.580 [141.74]	2.200 [55.88]	2.350 [59.69]	1.960 [49.78]	19.3 [316.27]
1-1/2"	8.570 [217.68]	5.940 [150.88]	2.450 [62.23]	2.540 [64.52]	2.540 [64.52]	27.5 [450.64]
2"	9.480 [240.79]	7.080 [179.83]	3.060 [77.72]	3.200 [81.28]	2.730 [69.34]	50.0 [819.35]



SIZE	A	B	C	D	F	VOLUME CUBIC INCH
1/2"	5.570 [141.48]	3.840 [97.54]	1.620 [41.15]	1.780 [45.21]	1.420 [36.07]	6.0 [98.32]
3/4"	6.190 [157.23]	4.460 [113.28]	1.800 [45.72]	2.000 [50.8]	1.540 [39.12]	9.1 [149.12]
1"	7.350 [186.69]	5.200 [132.08]	2.300 [58.42]	2.280 [58.91]	1.670 [42.42]	16.9 [276.94]
1-1/4"	7.300 [185.42]	5.580 [141.74]	2.200 [55.88]	2.350 [59.69]	1.960 [49.78]	19.3 [316.27]
1-1/2"	8.570 [217.68]	5.940 [150.88]	2.450 [62.23]	2.540 [64.52]	2.540 [64.52]	27.5 [450.64]
2"	9.480 [240.79]	7.080 [179.83]	3.060 [77.72]	3.000 [76.2]	2.680 [68.07]	52.8 [865.24]

GENERAL NOTES

- ALL DIMENSIONS ARE FOR REFERENCE ONLY.
- DIMENSIONS IN BRACKETS [] ARE IN METRIC UNITS.

REVISIONS

1 SEE ERN 2004151 FOR APPROVAL SIGNATURES & RELEASE DATE. PROJECT NO: RM401818

Thomas & Betts
www.tnb.com

DESCRIPTION:

**CONDUIT BODIES WITH
COVERS AND GASKETS**

ORIGINAL PROJECT NO / (ERN NO)

RM401818 / (2002982)

SHEET NO:

4 OF 5

REV. NO:

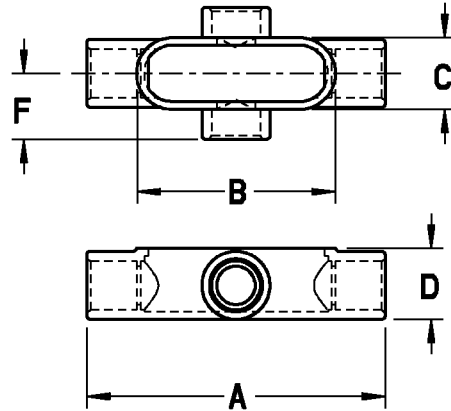
1

DRAWING NO:

WSD-000056



T&B Conduit Bodies



STYLE "X"

SIZE	A	B	C	D	F	VOLUME CUBIC INCH
1/2"	5.570 [141.48]	3.840 [97.54]	1.620 [41.15]	1.780 [45.21]	1.540 [39.12]	6.0 [98.32]
3/4"	6.190 [157.23]	4.460 [113.28]	1.800 [45.72]	2.000 [50.8]	1.690 [42.93]	9.1 [149.12]
1"	7.350 [186.69]	5.200 [132.08]	2.300 [58.42]	1.900 [48.26]	1.950 [49.53]	16.9 [276.94]
1-1/4"	7.300 [185.42]	5.580 [141.74]	2.200 [55.88]	2.350 [59.69]	1.960 [49.78]	19.3 [316.27]
1-1/2"	8.570 [217.68]	5.940 [150.88]	2.450 [62.23]	2.540 [64.52]	2.540 [64.52]	27.5 [450.64]
2"	9.480 [240.79]	7.080 [179.83]	3.060 [77.72]	3.000 [76.2]	2.730 [69.34]	52.8 [865.24]

GENERAL NOTES

- ALL DIMENSIONS ARE FOR REFERENCE ONLY.
- DIMENSIONS IN BRACKETS [] ARE IN METRIC UNITS.

REVISIONS

1 SEE ERN 204151 FOR APPROVAL SIGNATURES & RELEASE DATE.
PROJECT NO: RM401818

Thomas & Betts
www.tnb.com

DESCRIPTION:

**CONDUIT BODIES WITH
COVERS AND GASKETS**

ORIGINAL PROJECT NO / (ERN NO)

RM401818 / (2002982)

SHEET NO:

5 OF 5

REV. NO:

1

DRAWING NO:

WSD-000056