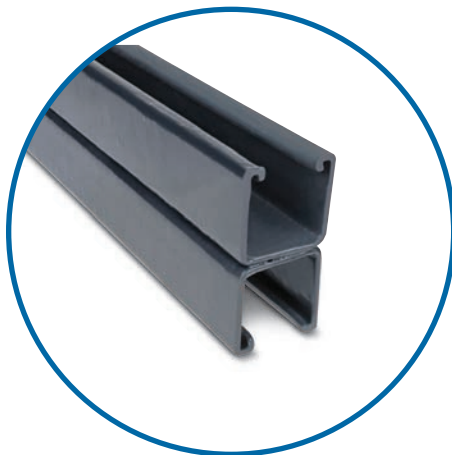


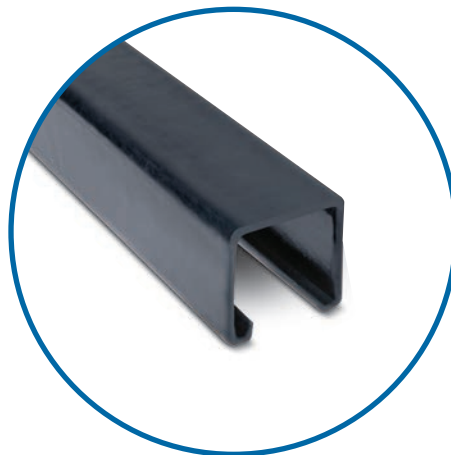
Strut and Accessories

Rugged Steel Channels Protected by Corrosion-Resistant PVC!

Ocal™ PVC-Coated Steel Strut



A12A

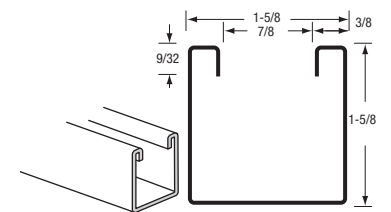


A12

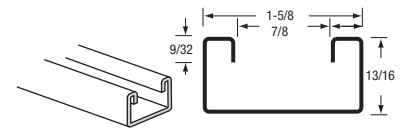


A12P

- Channels cold formed from hot-rolled pickled and oiled strip steel
- Nominal 0.015 in. (15 mils) PVC coating
- PVC coating available in your choice of blue, white or grey standard colours
- Custom colours also available on request
- Sold in 10 ft. (3.048 m) lengths with standard length tolerance of $\pm 1/8$ in. (3.18 mm)
- Choose between standard 15/8 in. (41.28 mm) and shallow 13/16 in. (20.64 mm) depths
- Available in both solid and punched styles
- Available in 316 stainless steel (contact your Regional Sales Office)
- Strut accessories also available PVC Coated (contact your Regional Sales Office)



A12



C14

| Cat. No. | Material | Colour |
|--|---------------|--|
| A12- | - | _ = space for colour identifier |
| | SA = Aluminum | G = Grey W = White B = Blue |
| <i>Catalogue No. Example:</i> C14P-W is shallow punched strut channel coated in white PVC. | | |
| <small>Custom colours also available - Std. min. quantities are required. Please contact your Regional Sales Office.</small> | | |

| Cat. No. | Style | Steel Gauge (mm) | in. (mm) | |
|----------------|------------------|------------------|-----------------------------|---|
| | | | W | H |
| A12- _ | Standard | 12 (2.65) | 1.63 x 1.63 (41.28 x 41.28) | |
| A12A- _ | Back to Back | 12 (2.65) | 1.63 x 3.25 (41.28 x 82.55) | |
| A12P- _ | Standard Punched | 12 (2.65) | 1.63 x 1.63 (41.28 x 41.28) | |
| C14- _ | Shallow | 14 (1.89) | 1.63 x 0.81 (41.28 x 20.64) | |
| C14P- _ | Shallow Punched | 14 (1.89) | 1.63 x 0.81 (41.28 x 20.64) | |

Strut and Accessories

Continuously Threaded Rods for Use With Conduit Hangers and Strut to Suspend Overhead Conduit Runs

Ocal™ PVC-Coated Steel Strut



PVC-Coated All-Thread Rod

All-Thread Rods

- All-thread steel rods coated with nominal 0.015 in. (15 mils) PVC in blue, white or grey; custom colours available on request
- Available in 1/4 in., 3/8 in. or 1/2 in. standard diameters and in 3-, 6- or 10-ft. standard lengths
- Also available uncoated in Type 316 stainless steel

Ocal™ PVC-Coated Steel All-Thread Rods

| Cat. No. | Trade Size in. (mm) | Length ft. (m) |
|----------------------|---------------------|----------------|
| THR1/4X10- <u> </u> | 1/4 (6.35) | 10.00 (3.05) |
| THR3/8X3- <u> </u> | 3/8 (9.53) | 3.00 (0.91) |
| THR3/8X6- <u> </u> | 3/8 (9.53) | 6.00 (1.83) |
| THR3/8X10- <u> </u> | 3/8 (9.53) | 10.00 (3.05) |
| THR1/2X3- <u> </u> | 1/2 (12.70) | 3.00 (0.91) |
| THR1/2X6- <u> </u> | 1/2 (12.70) | 6.00 (1.83) |
| THR1/2X10- <u> </u> | 1/2 (12.70) | 10.00 (3.05) |

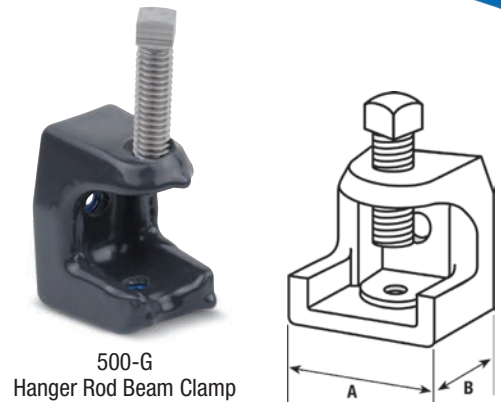
| Cat. No. | Diameter X Length | Colour |
|---|-------------------|---|
| THR3/8X3- | | <u> </u> = space for colour identifier |
| <i>Catalogue No. Example:</i> NPL3/4X6-G is 3/4 in. x 6 in. long steel nipple coated in grey PVC. | G = Grey | |
| | W = White | |
| | B = Blue | |
| Custom colours also available - Std. min. quantities are required. Please contact your Regional Sales Office. | | |

Strut and Accessories

Corrosion-Protected Clamps for Hanging Threaded Rod

Ocal™ PVC-Coated Hanger Rod Beam Clamps

- Malleable iron construction
- Nominal 0.015 in. (15 mils) PVC coating in blue, white, grey or custom colours
- 500, 502 and 503 also available uncoated in Type 316 stainless steel; add -SS316 to catalogue number to order (for example: 502-SS316)



500-G
Hanger Rod Beam Clamp

| Cat. No. | Base "A" in. (mm) | Base "B" in. (mm) | Jaw Opening in. (mm) | Tapped Hole in. (mm) | Load Rating‡ lb. (kg) |
|----------------|----------------------|----------------------|-------------------------|---------------------------|--------------------------|
| 500- <u> </u> | 1 (25.40) | 1-1/4 (31.75) | 15/16 (23.81) | 1/4 - 20 (6.35 - 20) | 450 (204.12) |
| 501- <u> </u> | 1-1/2 (38.10) | 1-5/8 (41.28) | 7/8 (22.23) | 15/16 - 18 (7.94 - 18) | 800 (362.87) |
| 502- <u> </u> | 2 (50.80) | 2 (50.80) | 1 (25.40) | 3/8 - 16 (9.53 - 16) | 1300 (589.67) |
| 503- <u> </u> | 2-5/8 (66.68) | 2-1/2 (63.50) | 1 (25.40) | 1/2 - 13 (12.70 - 13) | 1300 (589.67) |
| 508- <u> </u> | 2-1/2 (63.50) | 2-3/8 (60.33) | 2-1/8 (53.98) | 1/2 - 13 (12.70 - 13) | 1700 (771.11) |

‡ Load ratings based on bottom hole of beam clamp with safety factor of three. Metric size designator (ANSI C80.1-1994).

| Cat. No. | Colour |
|-------------|---|
| 500- | <u> </u> = space for colour identifier |
| | G = Grey |
| | W = White |
| | B = Blue |

Custom colours also available - Std. min. quantities are required. Please contact your Regional Sales Office.

Includes Stainless Steel Bolt and Nut for Fast, Easy Installation

Ocal™ PVC-Coated Mini Conduit Hangers

- Nominal 0.015 in. (15 mils) PVC coating in blue, white, grey or custom colours
- Rated for loads of up to 500 lb. (226.80 kg) with a safety factor of three

| Cat. No. | Pipe Size in. (mm) |
|----------------------|-----------------------|
| MINE1/2- <u> </u> | 1/2 (16) |
| MINE3/4- <u> </u> | 3/4 (21) |
| MINE1- <u> </u> | 1 (27) |
| MINE1-1/4- <u> </u> | 1-1/4 (35) |
| MINE1-1/2- <u> </u> | 1-1/2 (41) |

| Cat. No. | Pipe Size in. (mm) |
|----------------------|-----------------------|
| MINE2- <u> </u> | 2 (53) |
| MINE2-1/2- <u> </u> | 2-1/2 (63) |
| MINE3- <u> </u> | 3 (78) |
| MINE3-1/2- <u> </u> | 3-1/2 (91) |
| MINE4- <u> </u> | 4 (103) |

Metric size designator (ANSI C80.1-1994).



MINE3/4-G
Mini Conduit
Hanger

| Cat. No. | Colour |
|---------------|---|
| MINE1- | <u> </u> = space for colour identifier |
| | G = Grey |
| | W = White |
| | B = Blue |

Custom colours also available - Std. min. quantities are required. Please contact your Regional Sales Office.

Strut and Accessories

Designed for Easy Attachment of Conduit to Strut!

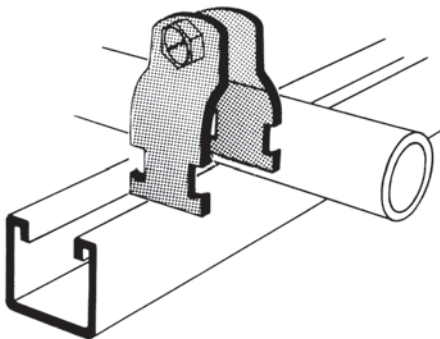
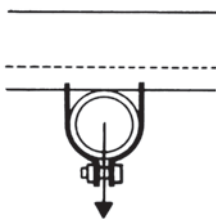


PVC-Coated Pipe Strap

Pipe Straps for Strut

Just twist-insert these pipe straps anywhere you need them along the slot side of a channel. For additional flexibility, you can position the straps as closely as your pipe couplings permit.

- Combination slot and hex head bolt for flexibility of attachment
- Captivated square nut on shoulder enables easy one-handed tightening
- Use with either 1-5/8 in. or 1-1/2 in. strut for greater versatility
- Shipped pre-assembled for easier counting, sorting and handling
- Available with nominal 0.015 in. (15 mils) PVC coating in your choice of blue, white or grey standard colours (custom colours also available on request)
- Uncoated pipe straps are available by ordering Series 700 and adding Type 316 stainless steel



Ocal™ PVC-Coated Strut Pipe Straps

| Cat. No. | Pipe Size in. (mm) |
|--------------------|--------------------|
| SS1/2- <u> </u> | 1/2 (16) |
| SS3/4- <u> </u> | 3/4 (21) |
| SS1- <u> </u> | 1 (27) |
| SS1-1/4- <u> </u> | 1-1/4 (35) |
| SS1-1/2- <u> </u> | 1-1/2 (41) |
| SS2- <u> </u> | 2 (53) |
| SS2-1/2- <u> </u> | 2-1/2 (63) |
| SS3- <u> </u> | 3 (78) |
| SS3-1/2- <u> </u> | 3-1/2 (91) |
| SS4- <u> </u> | 4 (103) |
| SS5- <u> </u> | 5 (129) |

Metric size designator (ANSI C80.1-1994).

| Cat. No. | Colour |
|---|---|
| SS1- | <u> </u> = space for colour identifier |
| | G = Grey |
| | W = White |
| | B = Blue |
| Custom colours also available - Std. min. quantities are required. Please contact your Regional Sales Office. | |