



This Instruction Sheet applies to the following HPW Products:

P612U

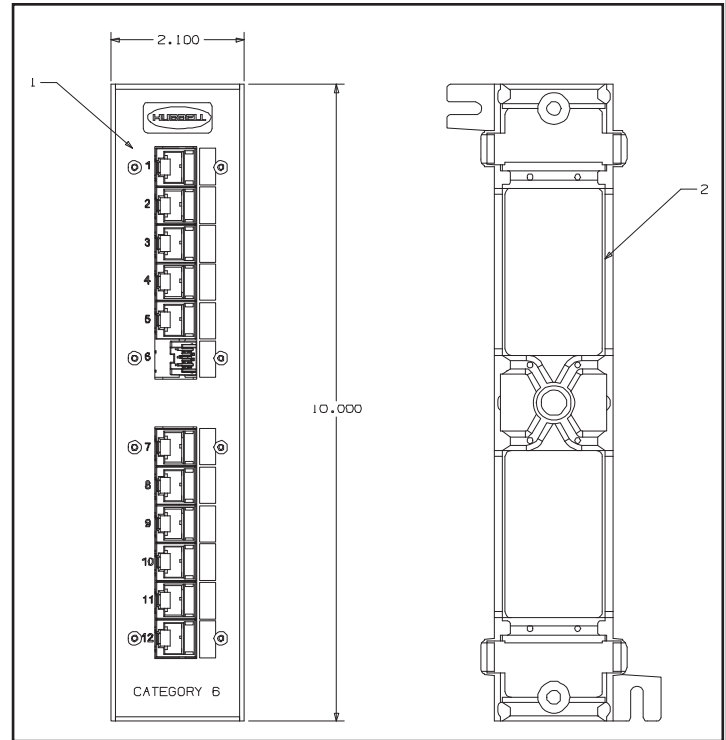
Item	Description	Qty
1	Category 6e 110 Adapter Panel	1
2	89D Bracket	1

Category 6 89D Wall Mount Patch Panels

Catalog Number	Ports	Jack Wiring	Label Strips
P612U	12	UNIVERSAL	1

1.0 Mount 89D Bracket

- 1.1. Mount supplied 89D bracket to a properly prepared mounting surface.
- 1.2. Mount the Category 6 adapter panel onto the bracket backwards with 110 clips facing out. This will hold the adapter assembly in place while cables are being terminated.



2.0 Cable Preparation and Termination

- 2.1. Trim jacket back approximately 2" (see FIG. 1). **Caution:** do not damage conductors
- 2.2. Starting at the bottom corner of the panel, where the cables feed, lace pairs into the appropriate IDC following the Universal Wiring Label for T568A or T568B wiring schemes (see FIG. 2) and work to the middle of the panel.
- 2.3. Punch down individual conductors using Hubbell's single position 110 punch down tool (IPT110B) or equivalent.

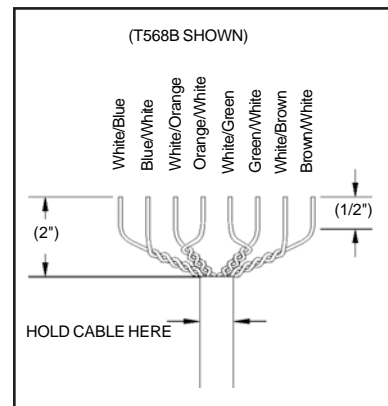


FIG. 1

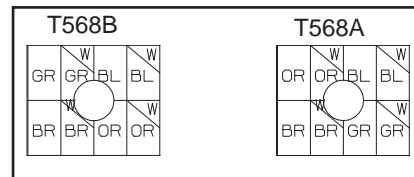


FIG. 2