

## 3.5mm Stereo QuickPort® Connector

### APPLICATION

Leviton 3.5mm Stereo or miniature connector is typically used for three-conductor audio applications. Also referred to as a 1/8-inch stereo connector, using a tip-ring sleeve configuration for signal transmission. Ideal for computer stereo applications.



### SPECIFICATION

The connector shall be QuickPort compatible and offered in white and ivory. The connector shall be UL listed. All plastics used in construction of the module bodies shall be fire retardant. The connector shall be nickel-plated brass. Connection shall be via shrouded screw terminals accepting up to 22-gauge cable.

### FEATURES

- QuickPort connector used for stereo audio signals with a common ground
- Ideal for computer stereo applications
- Compatible with male plugs for headsets
- Screw terminal connection for quicker field installation
- Compatible with all QuickPort wallplates and housings

### DESIGN CONSIDERATIONS

- Compatible with 22-24-gauge shielded audio cable
- Used for balanced-audio (or line-level stereo) connections
- The connector housing is available in ivory and white to match housing or wallplates
- Not to be installed in telcom circuits

### STANDARDS COMPLIANCE

- cULus Listed (UL 1863 , CAN/CSA-C22.2 No. 182.4-1990)

### PHYSICAL SPECIFICATIONS

Dimensions: See page two

Materials: Snap-in connector bodies are high-impact, fire-retardant plastic rated UL94V-0

Colors: Ivory and white

### WARRANTY INFORMATION

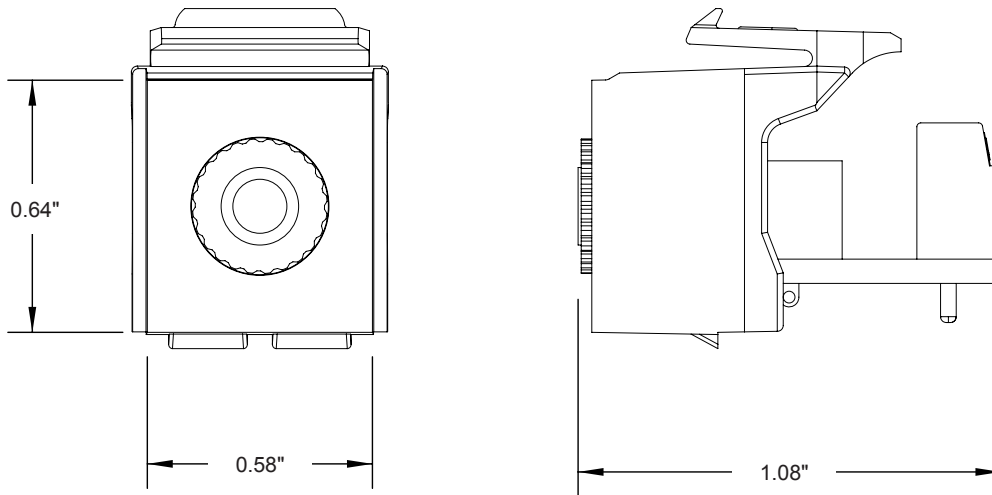
For a copy of Leviton product warranties, visit [www.leviton.com/warranty](http://www.leviton.com/warranty).

### REFERENCE CHART

		Balanced	Unbalanced	Stereo
Tip	+	Positive	Signal	Left Channel
Ring	-	Negative	Not Present	Right Channel
Sleeve	⊥	Ground	Ground/Return	Ground

**ELECTRONIC FILES**

For CAD files, typical specs, or technical drawings (.DXF, .DWG), visit [www.leviton.com](http://www.leviton.com).



**40839-SxS**

**PART NUMBERS**

Description	Part No.
3.5mm Stereo QuickPort® Connector, ivory	40839-SIS
3.5mm Stereo QuickPort Connector, white	40839-SWS



**Leviton Network Solutions**  
2222 - 222nd St. SE  
Bothell, WA 98021-4416

**Asia / Pacific**  
T +1.631.812.6228  
E infoasean@leviton.com

**Canada**  
T +1.514.954.1840  
E pcservice@leviton.com

**Caribbean**  
T +1.954.593.1896  
E infocaribbean@leviton.com

**China**  
T +852.2774.9876  
E infochina@leviton.com

**Colombia**  
T +57.1.743.6045  
E infocolombia@leviton.com

tel 1-800-824-3005  
tel +1-425-486-2222  
appeng@leviton.com  
www.leviton.com

**Europe**  
T +33.6.8869.1380  
E infoeurope@leviton.com

**India / SAARC**  
T +971.4.886.4722  
E infoindia@leviton.com

**Mexico**  
T +52.55.5082.1040  
E lsamarketing@leviton.com

**Middle East & Africa**  
T +971.4.886.4722  
E lmeinfo@leviton.com

**South Korea**  
T +82.2.3273.9963  
E infokorea@leviton.com