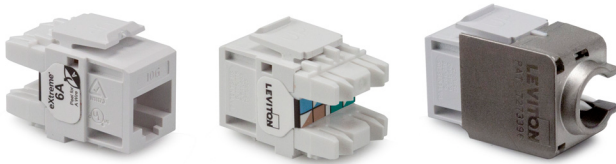


eXtreme® Cat 6A Channel-Rated QuickPort® Connector

APPLICATION

The eXtreme Cat 6A Channel-Rated QuickPort Connector exceeds all channel performance requirements in ANSI/TIA-568-C.2 and ISO/IEC Class E_A from 1 MHz to 500 MHz to support the IEEE 802.3an standard for 10 Gigabit Ethernet over UTP Cable. The connector is designed to be used with all QuickPort compatible products and features patented injection-molded Cone of Silence® covers to eliminate alien crosstalk (AXT). The connector includes patented Retention Force Technology to promote consistent network performance over the life of the system. Unique Pair Separation Towers facilitate quick, easy terminations. The connector is configured in a 180-degree configuration such that the punch down field is in the back, allowing for rear termination.



FEATURES

- Cat 6A/Class E_A Channel Performance
- Patented Retention Force Technology (RFT) protects against tine damage from 4- or 6-pin plugs
- Alien crosstalk suppressed by Cone of Silence, metalized body, and new printed circuit board
- Pair Separation Tower (PST) design facilitates separation of Cat 6A conductors
- Patented, dual-layer wiring label simplifies punchdown and reduces rework

DESIGN CONSIDERATIONS

- Use in any QuickPort housing to support Cat 6A UTP connectivity in surface-mount, flush-mount, or modular-furniture outlets and field-configurable panels
- Can be used in conjunction with other QuickPort snap-in modules for voice/data/video applications over UTP, coax, fiber
- To identify ports, use different colored modules for each application (full selection of ANSI/TIA-606 compatible colors - 13 available)

COUNTRY OF ORIGIN

USA

SPECIFICATION

The connector shall meet or exceed the requirements for Category 6A channel-level performance described in ANSI/TIA-568-C.2 and ISO/IEC Class E_A. The modular connector shall be snap-in style. The connector shall also be in compliance with all National Electrical codes; compliant with ANSI/TIA-1096-A; UL Listed; and independently verified. In addition to Cat 6A compliance, the connector shall have the ability to support high-megabit and shared-sheath applications. All plastics used in construction of connector bodies shall be fire retardant with a UL flammability rating of 94V-0. All terminations shall use 110-type insulation displacement connectors (IDC). The connector shall provide a ledge directly adjacent to the 110-style termination against which wires can be directly terminated and cut in one action by the installation craftsman. Connector wiring is universal and will accommodate installation color codes for T568A and T568B wiring schemes. The termination field shall be in the rear for easy access. The connector shall include an alien crosstalk attenuation cover (Cone of Silence) to protect the termination field from induced noise from adjacent connectors. The modular connector shall fit all other installed telecommunications wallplates, outlets, field-configurable patch panels, and patch blocks. The connector shall be available in 13 ANSI/TIA-606 compatible colors.

STANDARDS COMPLIANCE

- ANSI/TIA-568-C.2
- ISO/IEC 11801 Class E_A
- IEEE 802.3an 10GBASE-T
- cULus Listed
- ANSI/TIA-1096-A (formerly FCC Part 68)
- IEEE 802.3at (Type 1) Power over Ethernet (PoE) up to 15.4 watts
- IEEE 802.3at (Type 2) PoE+ up to 30 watts
- IEEE 802.3bt (Type 3) PoE+ up to 60 watts
- IEEE 802.3bt (Type 4) PoE+ up to 100 watts
- Cisco Universal Power Over Ethernet (UPOE) up to 60 watts
- Power over HDBaseT™ (POH) up to 100 watts

PHYSICAL SPECIFICATIONS

Dimensions: See page two

Materials: **Connector Body:** High-impact, fire-retardant plastic rated UL 94V-0

Spring Wire Contacts: High-quality, copper-based alloy, plated with 50 micro-inches of gold for lowest contact resistance and maximum life

Environmental

Conditions: **Storage Temperature:** -40 °C to +70 °C
Operating Temperature: -10 °C to +60 °C

6110G-R*6

Leviton Network Solutions

2222 - 222nd St. SE
Bothell, WA 98021-4416

tel 1-800-824-3005
tel +1-425-486-2222
appeng@leviton.com
www.leviton.com

Asia / Pacific

T +1.631.812.6228
E infoasean@leviton.com

Europe

T +44.0.1592.772124
E customerservice@brand-rex.com

Canada

T +1.514.954.1840
E pcservice@leviton.com

India / SAARC

T +971.4.886.4722
E infoindia@leviton.com

Caribbean

T +1.954.593.1896
E infocaribbean@leviton.com

Mexico

T +52.55.5082.1040
E lsamarketing@leviton.com

China

T +852.2774.9876
E infochina@leviton.com

Middle East & Africa

T +971.4.886.4722
E lmeinfo@leviton.com

Colombia

T +57.1.743.6045
E infocolombia@leviton.com

South Korea

T +82.2.3273.9963
E infokorea@leviton.com

WARRANTY INFORMATION

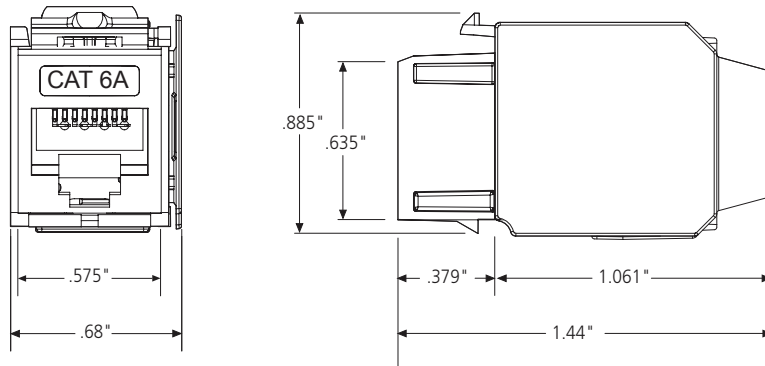
Limited product and limited extended warranties are rendered VOID if the installed structured cabling system is used for Power over Ethernet applications that exceed the product's specified power rating.

For a copy of Leviton product warranties, visit www.leviton.com/warranty.

ELECTRONIC FILES

For CAD files, typical specs, or technical drawings (.DXF, .DWG), visit www.leviton.com.

6110G-R*6



Connector with Cone of Silence
Front View

Connector with Cone of Silence
Side View

PART NUMBERS

Description	Part No.
eXtreme® Cat 6A Channel-Rated QuickPort® Connector, white	6110G-RW6
eXtreme Cat 6A Channel-Rated QuickPort Connector, light almond	6110G-RT6
eXtreme Cat 6A Channel-Rated QuickPort Connector, ivory	6110G-RI6
eXtreme Cat 6A Channel-Rated QuickPort Connector, yellow	6110G-RY6
eXtreme Cat 6A Channel-Rated QuickPort Connector, orange	6110G-RO6
eXtreme Cat 6A Channel-Rated QuickPort Connector, crimson	6110G-RC6
eXtreme Cat 6A Channel-Rated QuickPort Connector, dark red	6110G-RR6
eXtreme Cat 6A Channel-Rated QuickPort Connector, purple	6110G-RP6
eXtreme Cat 6A Channel-Rated QuickPort Connector, blue	6110G-RL6
eXtreme Cat 6A Channel-Rated QuickPort Connector, green	6110G-RV6
eXtreme Cat 6A Channel-Rated QuickPort Connector, grey	6110G-RG6
eXtreme Cat 6A Channel-Rated QuickPort Connector, black	6110G-RE6
eXtreme Cat 6A Channel-Rated QuickPort Connector, brown	6110G-RB6



Leviton Network Solutions 2222 - 222nd St. SE Bothell, WA 98021-4416 tel 1-800-824-3005 tel +1-425-486-2222 appeng@leviton.com www.leviton.com	Asia / Pacific T +1.631.812.6228 E infoasean@leviton.com	Canada T +1.514.954.1840 E pcservice@leviton.com	Caribbean T +1.954.593.1896 E infocaribbean@leviton.com	China T +852.2774.9876 E infochina@leviton.com	Colombia T +57.1.743.6045 E infocolombia@leviton.com
	Europe T +44.0.1592.772124 E customerservice@brand-rex.com	India / SAARC T +971.4.886.4722 E infoindia@leviton.com	Mexico T +52.55.5082.1040 E lsamarketing@leviton.com	Middle East & Africa T +971.4.886.4722 E lmeinfo@leviton.com	South Korea T +82.2.3273.9963 E infokorea@leviton.com