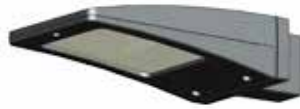


ALED™ POLE MOUNT INSTALLATION INSTRUCTIONS



Thank you for buying RAB lighting fixtures. Our goal is to design the best quality products to get the job done right. We'd like to hear your comments. Call the Marketing Department at 888-RAB-1000 or email: marketing@rabweb.com



IMPORTANT

READ CAREFULLY BEFORE INSTALLING FIXTURE. RETAIN THESE INSTRUCTIONS FOR FUTURE REFERENCE.

RAB fixtures must be wired in accordance with the National Electrical Code and all applicable local codes. Proper grounding is required for safety. THIS PRODUCT MUST BE INSTALLED IN ACCORDANCE WITH THE APPLICABLE INSTALLATION CODE BY A PERSON FAMILIAR WITH THE CONSTRUCTION AND OPERATION OF THE PRODUCT.

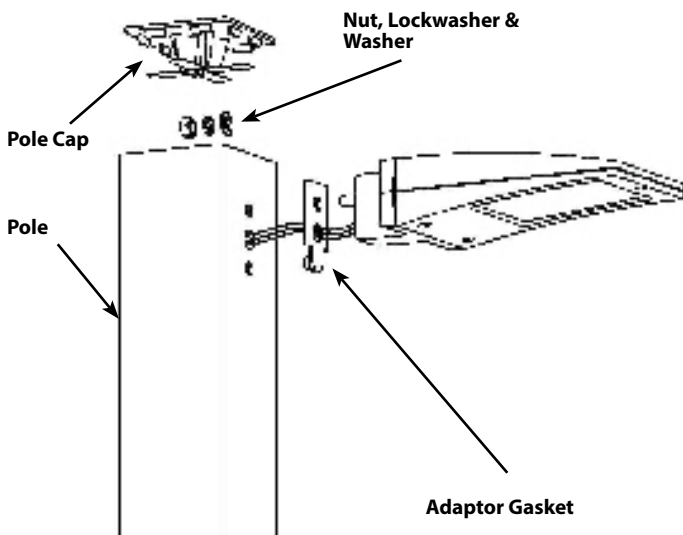
WARNING: Make certain power is OFF before installing or maintaining fixture. No user serviceable parts inside.

ALED10, ALED13 MOUNT TO POLE

For use with standard RAB pole drilling. See drawing below

Mount fixture to Pole:

1. Place **Adaptor Gasket** between the fixture and drilled Pole as shown. Line up center hole with center hole in the pole drilling pattern.
2. Place 3/8-16 bolt from the **Adaptor** thru the top hole of the **Gasket** to the **Pole**. Use nut, lockwasher and washer and tighten inside the pole.
3. Make the necessary wiring connections and knot the wires for strain relief.
4. Install the **Pole Cap**.

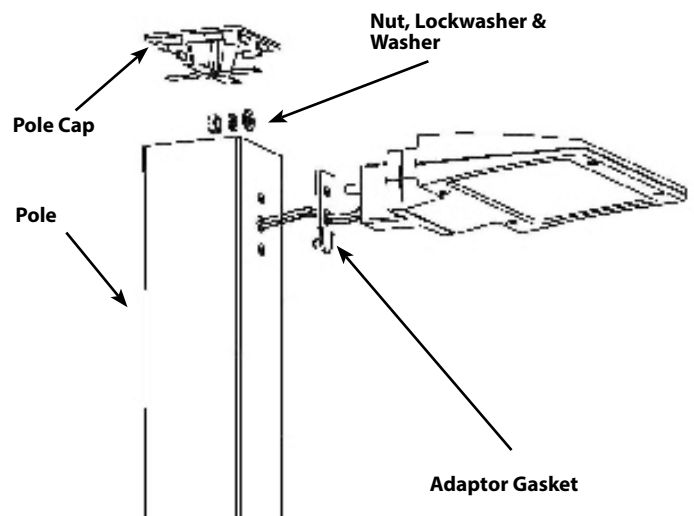


ALED20 MOUNT TO POLE

For use with standard RAB pole drilling. See drawing below

Mount fixture to Pole:

1. Place **Adaptor Gasket** between the fixture and drilled Pole as shown. Line up center hole with center hole in the pole drilling pattern.
2. Place 3/8-16 bolt from the **Adaptor** thru the top hole of the **Gasket** to the **Pole**. Use nut, lockwasher and washer and tighten inside the pole.
3. Make the necessary wiring connections and knot the wires for strain relief.
4. Install the **Pole Cap**.



ALED™ POLE MOUNT INSTALLATION INSTRUCTIONS

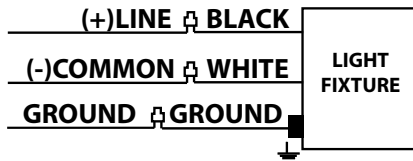


Thank you for buying RAB lighting fixtures. Our goal is to design the best quality products to get the job done right. We'd like to hear your comments. Call the Marketing Department at 888-RAB-1000 or email: marketing@rabweb.com

WIRING

Universal voltage driver permits 120V to 277V operation at 50Hz or 60Hz and the following voltages:

1. Connect the black fixture lead to the (+) LINE supply lead.
2. Connect the white fixture lead to the (-) COMMON supply lead.
3. Connect the bare copper Ground wire from fixture to supply ground.



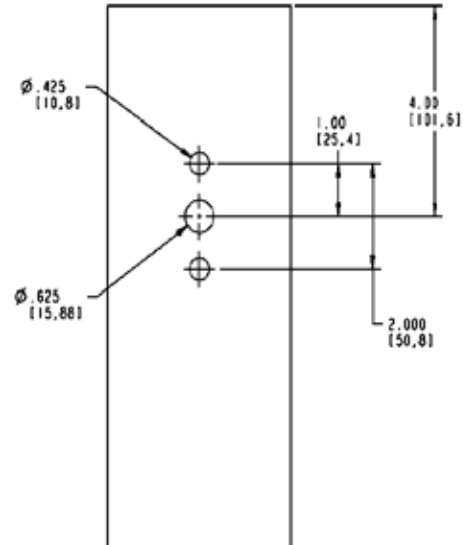
CLEANING & MAINTENANCE

CAUTION: Be sure fixture temperature is cool enough to touch. Do not clean or maintain while fixture is energized.

1. Clean lens & fixture with non-abrasive cleaning solution.
2. Do not open fixture to clean the LED. Do not touch the LED.

POLE DRILLING DETAIL

For non-RAB poles use these dimensions to drill the pole. This template is not to scale. Please use measurements shown. For RPA and ALED mounting bottom hole is not necessary.



TROUBLESHOOTING

1. Check that the line voltage at fixture is correct.
2. Be sure the fixture is grounded properly?

ALED™ POLE MOUNT INSTALLATION INSTRUCTIONS

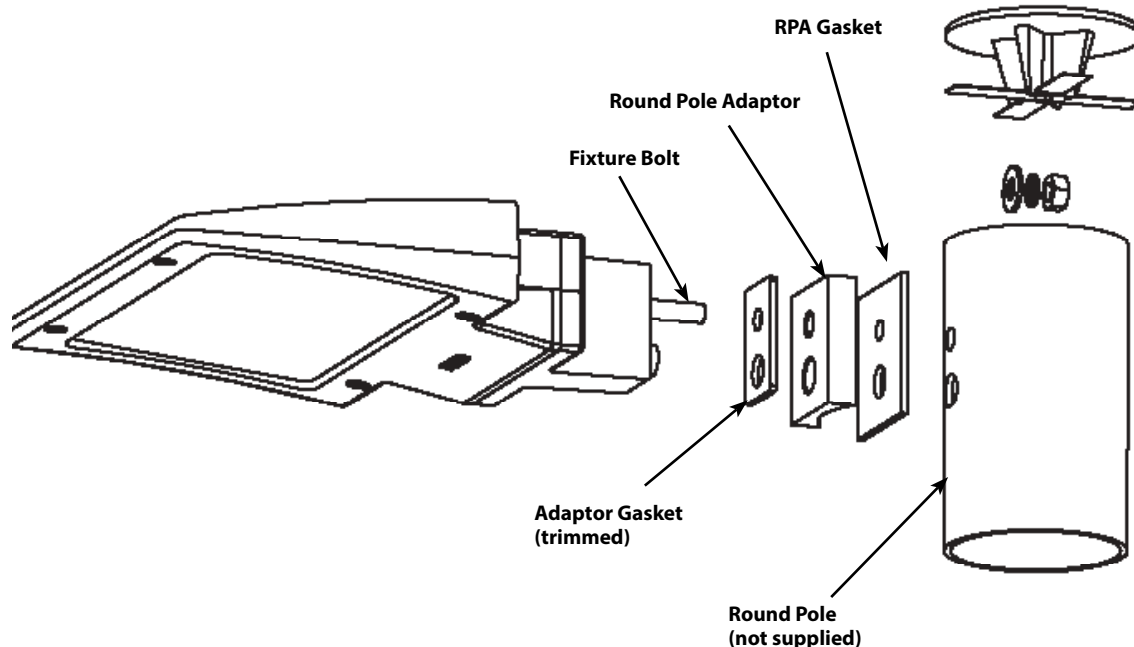


Thank you for buying RAB lighting fixtures. Our goal is to design the best quality products to get the job done right. We'd like to hear your comments. Call the Marketing Department at 888-RAB-1000 or email: marketing@rabweb.com

ROUND POLE ADAPTOR ACCESSORY

For use with standard RAB pole drilling.

1. Drill round pole using the dimensions shown below in the Pole Drilling Detail.
2. Trim **Adaptor Gasket** supplied with ALED.
3. **Fixture Bolt** may not be long enough as originally supplied with ALED. A longer **Fixture Bolt** is supplied with the RPA LED kits.
4. Changing **Fixture Bolt** (if necessary):
 - a. Open the fixture door
 - b. Remove ALED Adaptor bracket from fixture
 - c. Change **Fixture Bolt** and re-assemble
5. Place **Round Pole Adaptor** and **RPA Gasket** between the fixture and drilled **Pole** as shown. Line up top holes of the **Gaskets** and **Round Pole Adaptor** with top hole in the pole drilling pattern.
6. Place 3/8-16 **Fixture Bolt** from the **ALED** thru the top hole of the RPA and Gaskets to the Round **Pole**. Use nut, lockwasher and washer and tighten inside the pole.
7. Feed wires through larger bottom hole. Make the necessary wiring connections and knot the wires for strain relief.
8. Install the pole cap.



Note: These instructions do not cover all details or variations in equipment nor do they provide for every possible situation during installation, operation or maintenance.



ALED IN 0316

Easy Installation & Product Help

Tech Help Line
Call our experts 888 RAB-1000

rabweb.com
Visit our website for product info

email
Answered promptly sales@rabweb.com