

SLIM™ 57 INSTALLATION INSTRUCTIONS

Thank you for buying RAB lighting fixtures. Our goal is to design the best quality products to get the job done right. We'd like to hear your comments. Call the Marketing Department at 888-RAB-1000 or email: marketing@rabweb.com



IMPORTANT

READ CAREFULLY BEFORE INSTALLING FIXTURE. RETAIN THESE INSTRUCTIONS FOR FUTURE REFERENCE.

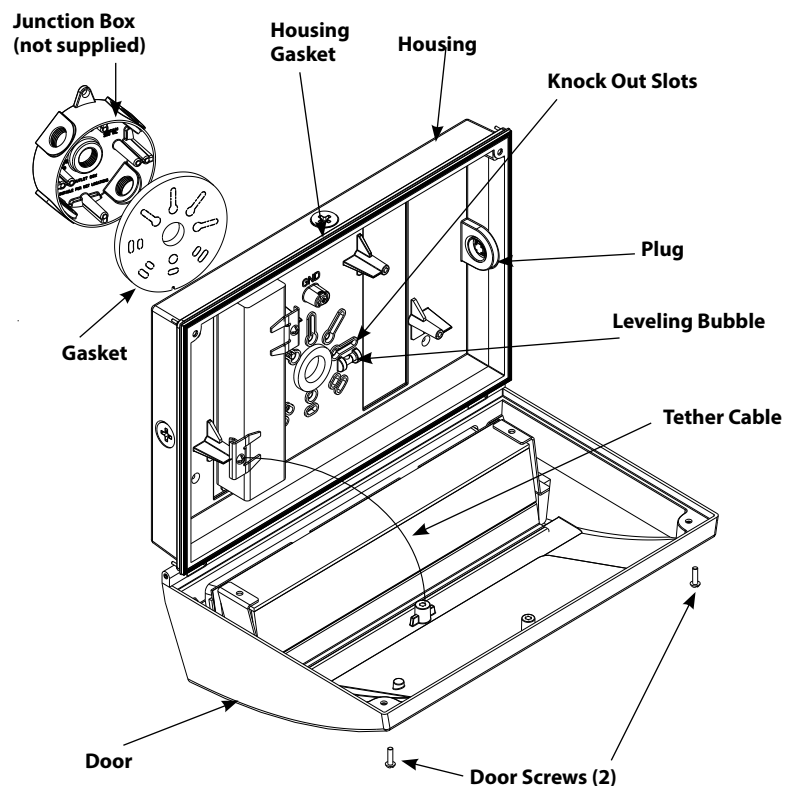
Fixtures must be wired in accordance with the National Electrical Code and all applicable local codes. Proper grounding is required for safety. THIS PRODUCT MUST BE INSTALLED IN ACCORDANCE WITH THE APPLICABLE INSTALLATION CODE BY A PERSON FAMILIAR WITH THE CONSTRUCTION AND OPERATION OF THE PRODUCT AND THE HAZARDS INVOLVED.

WARNING: Make certain power is OFF before installing or maintaining fixture. No user serviceable parts inside.

FIXTURE MOUNTING

To ensure weatherproof seal, apply weatherproof silicone sealant around the edge of the **Housing** and/or **Junction Box**. This is especially important with an uneven wall surface. Silicone all plugs and unused conduit entries.

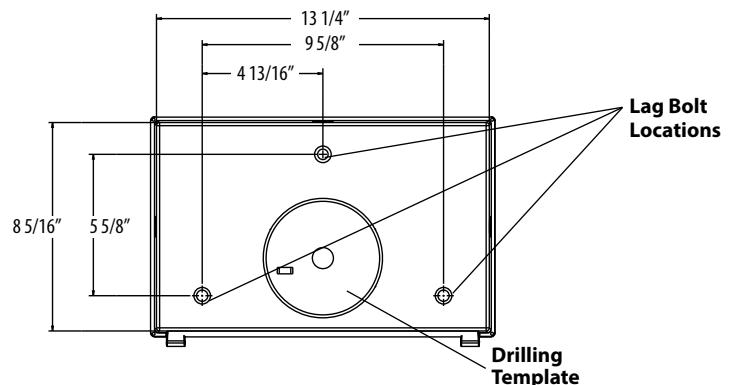
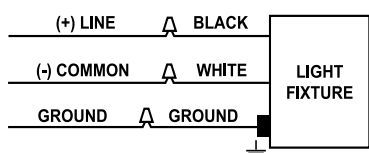
1. Loosen **Door Screws** and open the **Door**. Screws will remain in place.
2. **Tether Cable** provided for hands free wiring.
3. Knock out appropriate **Slots** when mounting to junction box (not supplied) or lag bolt to mounting surface using locations noted below. Use **Leveling Bubble** to level fixture.
4. Feed supply wires through **Junction Box(not supplied)**. Check that the **Gasket** is fully sealed.
5. Make sure **Housing Gasket** is properly seated. Close and tighten the **Door Screws**. Silicone all **Plugs** and unused conduit entries.
6. If outdoor surface is irregular, use caulk to seal any gaps around the **Housing**.



WIRING

Universal voltage driver permits operation at 120V thru 277V, 50 or 60 Hz, except fixtures factory ordered with a 120V photocell (/PC) and 277V photocell (/PC2) and fixtures factory ordered with a 120V swivel photocell (/PCS) or 277V swivel photocell (/PCS2) or 480V swivel photocell (/PCS4). Units ordered with (/480V) suffix are 480V.

1. Connect the black fixture lead to the (+) LINE supply lead.
2. Connect the white fixture lead to the (-) COMMON supply lead.
3. Connect the GROUND wire from fixture to supply ground.



SLIM™ 37 INSTALLATION INSTRUCTIONS

Thank you for buying RAB lighting fixtures. Our goal is to design the best quality products to get the job done right. We'd like to hear your comments. Call the Marketing Department at 888-RAB-1000 or email: marketing@rabweb.com



IMPORTANT

READ CAREFULLY BEFORE INSTALLING FIXTURE. RETAIN THESE INSTRUCTIONS FOR FUTURE REFERENCE.

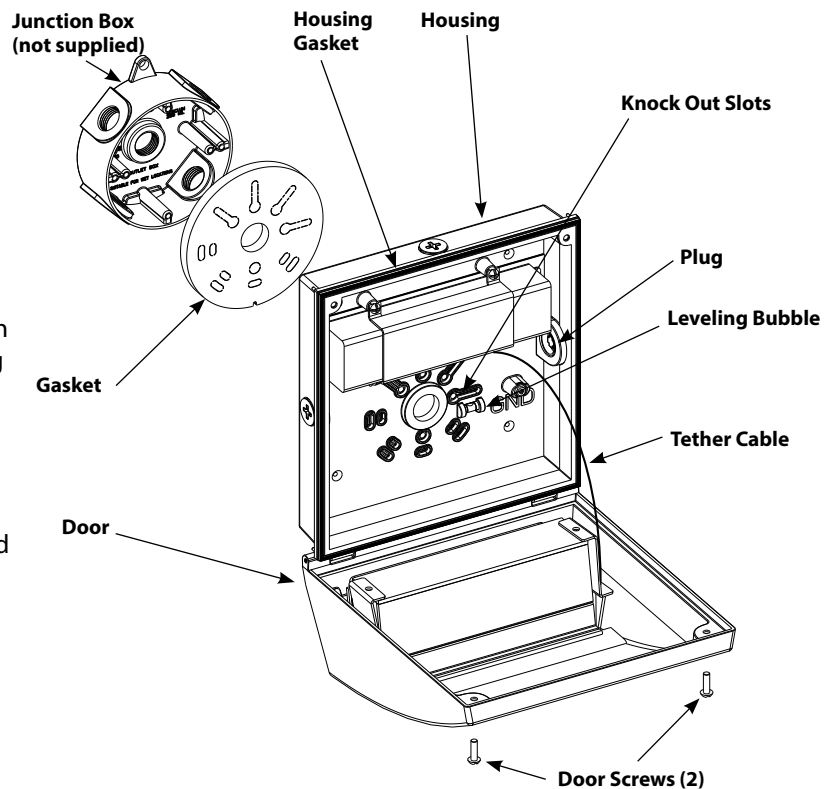
Fixtures must be wired in accordance with the National Electrical Code and all applicable local codes. Proper grounding is required for safety. THIS PRODUCT MUST BE INSTALLED IN ACCORDANCE WITH THE APPLICABLE INSTALLATION CODE BY A PERSON FAMILIAR WITH THE CONSTRUCTION AND OPERATION OF THE PRODUCT AND THE HAZARDS INVOLVED.

WARNING: Make certain power is OFF before installing or maintaining fixture. No user serviceable parts inside.

FIXTURE MOUNTING

To ensure weatherproof seal, apply weatherproof silicone sealant around the edge of the **Housing** and/or **Junction Box**. This is especially important with an uneven wall surface. Silicone all plugs and unused conduit entries.

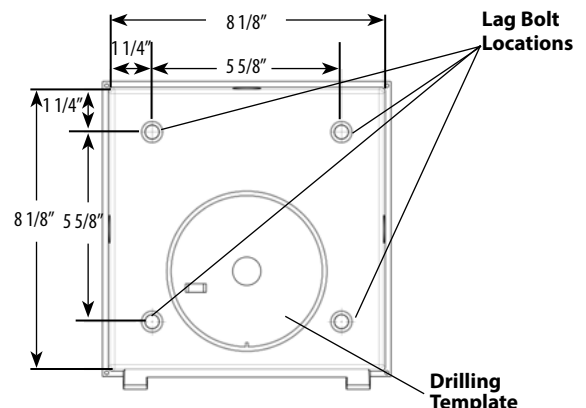
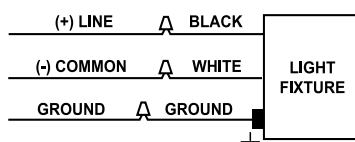
1. Loosen **Door Screws** and open the **Door**. Screws will remain in place.
2. **Tether Cable** provided for hands free wiring.
3. Knock out appropriate **Slots** when mounting to junction box (not supplied) or lag bolt to mounting surface using locations noted below. Use **Leveling Bubble** to level fixture.
4. Feed supply wires through **Junction Box (not supplied)**. Check that the **Gasket** is fully sealed.
5. Make sure **Housing Gasket** is properly seated. Close and tighten the **Door Screws**. Silicone all **Plugs** and unused conduit entries.
6. If outdoor surface is irregular, use caulk to seal any gaps around the **Housing**.



WIRING

Universal voltage driver permits operation at 120V thru 277V, 50 or 60 Hz, except fixtures factory ordered with a 120V photocell (/PC) and 277V photocell (/PC2) and fixtures factory ordered with a 120V swivel photocell (/PCS) or 277V swivel photocell (/PCS2) or 480V swivel photocell (/PCS4). Units ordered with (/480V) suffix are 480V.

1. Connect the black fixture lead to the (+) LINE supply lead.
2. Connect the white fixture lead to the (-) COMMON supply lead.
3. Connect the GROUND wire from fixture to supply ground.

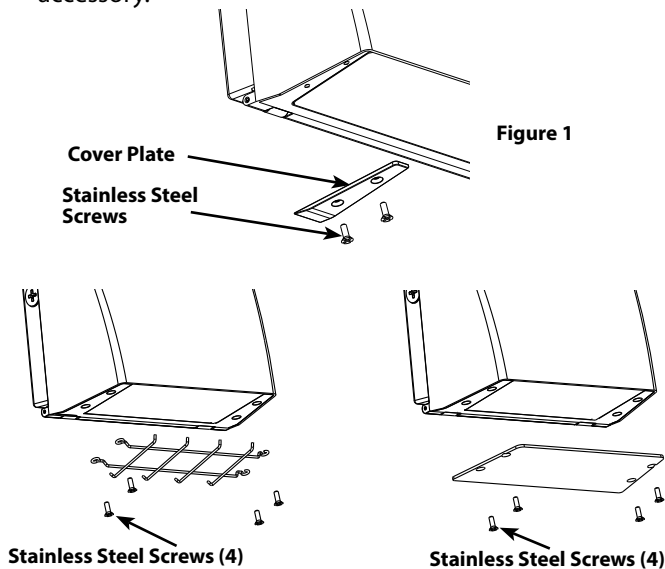


SLIM™ 37 INSTALLATION INSTRUCTIONS

Thank you for buying RAB lighting fixtures. Our goal is to design the best quality products to get the job done right. We'd like to hear your comments. Call the Marketing Department at 888-RAB-1000 or email: marketing@rabweb.com

GUARD/ SHIELD INSTALLATION

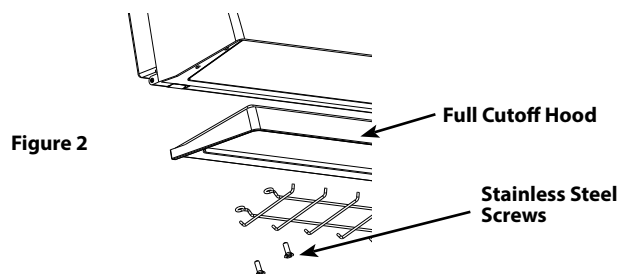
1. Remove left and right **Cover Plates** as in figure 1 and discard.
2. Mount wire guard and/ or poly shield with (4) #8-32 x 1/2" **Stainless Steel Screws**. Screws are provided with the accessory.



Note: Guard and shield may be used together.

FULL CUTOFF/ GUARD/ SHIELD INSTALLATION

1. Remove (4) **Stainless Steel Screws** from the **Full Cutoff Hood**.
2. Mount wire guard and/ or poly shield over the full cutoff hood with (4) #8-32 x 1/2" **Stainless Steel Screws** as shown in figure 2. Screws are provided with the accessory.



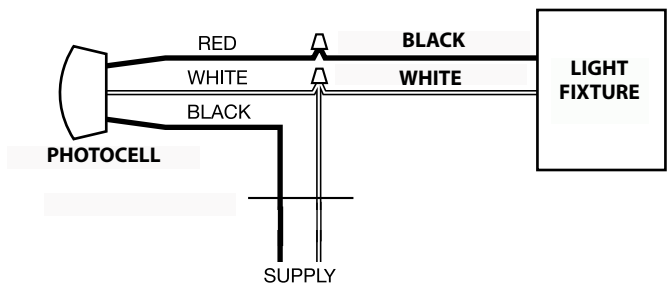
Note: Guard, shield and full cutoff hood may be used together with (4) #8-32 x 3/4" stainless steel screws (supplied by others).

Note: These instructions do not cover all details or variations in equipment nor do they provide for every possible situation during installation operation or maintenance.

PHOTOCELL INSTALLATION

Photocell may be installed in the field. Apply weatherproof silicone sealant to all plugs and unused conduit entries.

1. Remove close up plug on top of the wall mounting box.
2. Install photocell and wire as per diagram.
3. Use photocell rated for your supply voltage.



CLEANING & MAINTENANCE

CAUTION: Be sure fixture temperature is cool enough to touch. Do not clean or maintain while fixture is energized.

1. Clean glass lens & fixture with non-abrasive glass cleaning solution.
2. Do not open fixture to clean the LED. Do not touch the LED.

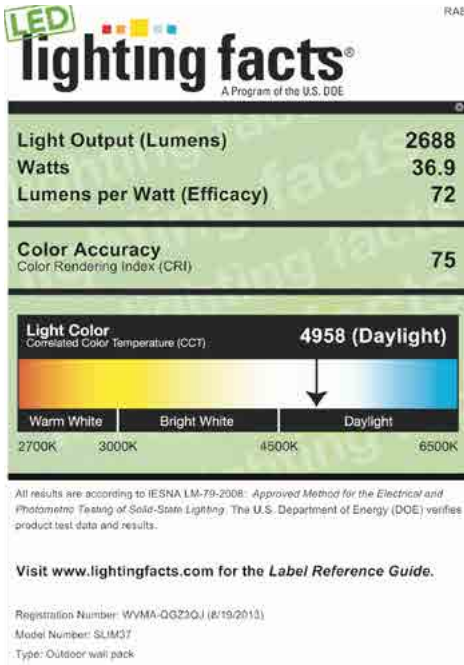
TROUBLESHOOTING

1. Check that the line voltage at fixture is correct. Refer to wiring directions.
2. Is the fixture grounded properly?
3. Be sure the photocell, if used, is functioning properly.

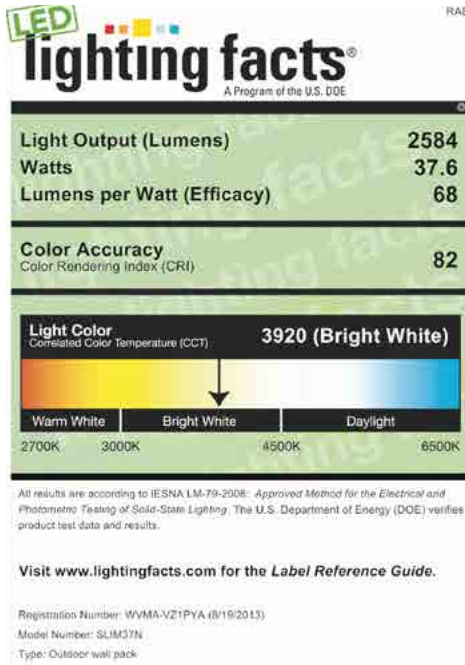
SLIM™ 37 INSTALLATION INSTRUCTIONS

Thank you for buying RAB lighting fixtures. Our goal is to design the best quality products to get the job done right. We'd like to hear your comments. Call the Marketing Department at 888-RAB-1000 or email: marketing@rabweb.com

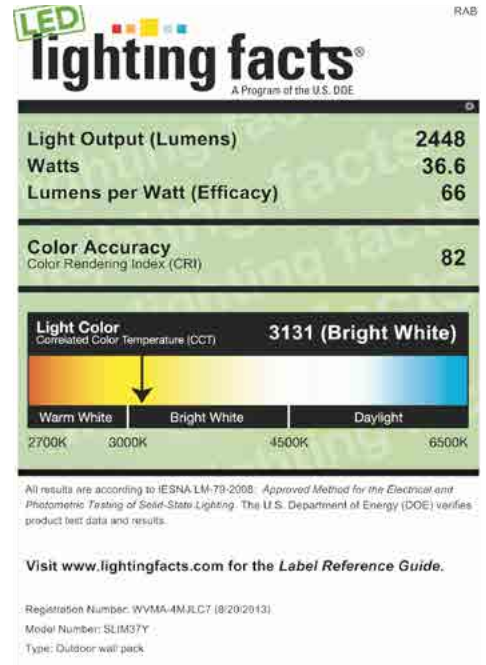
SLIM37 Cool



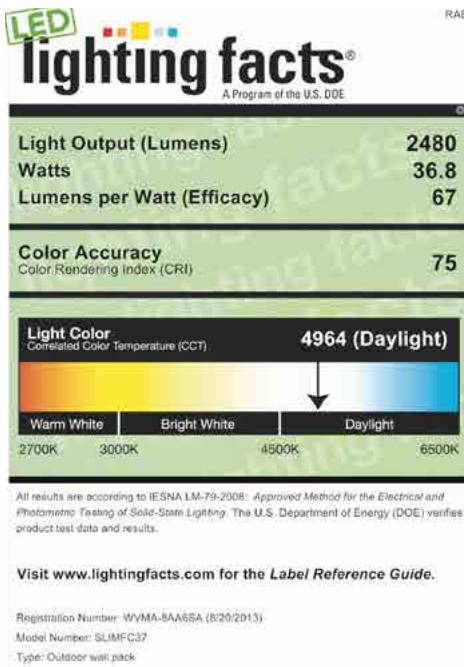
SLIM37 Neutral



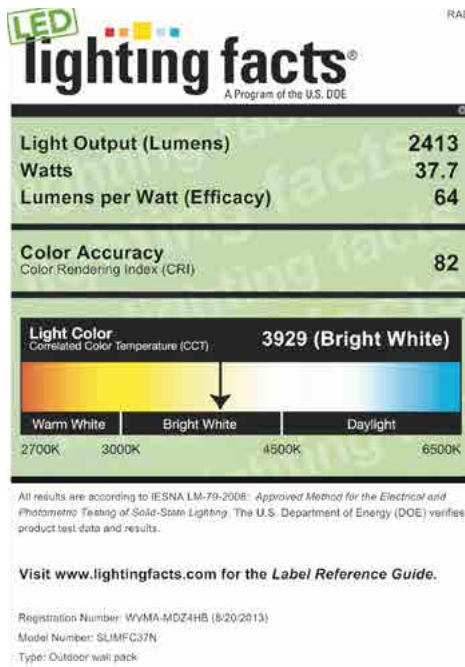
SLIM37 Warm



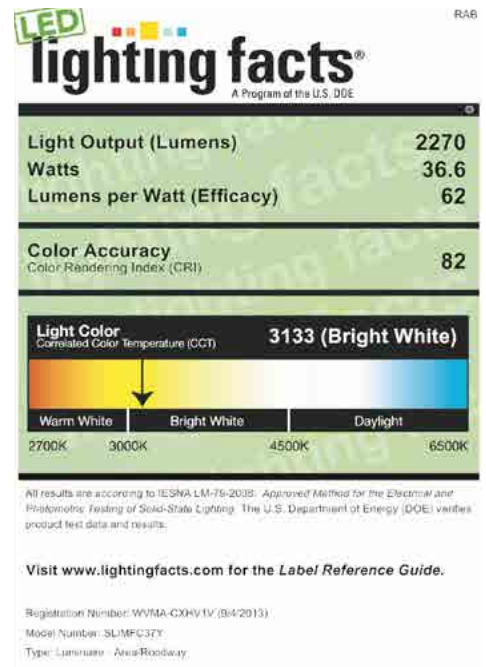
SLIMFC37 Cool



SLIMFC37 Neutral



SLIMFC37 Warm

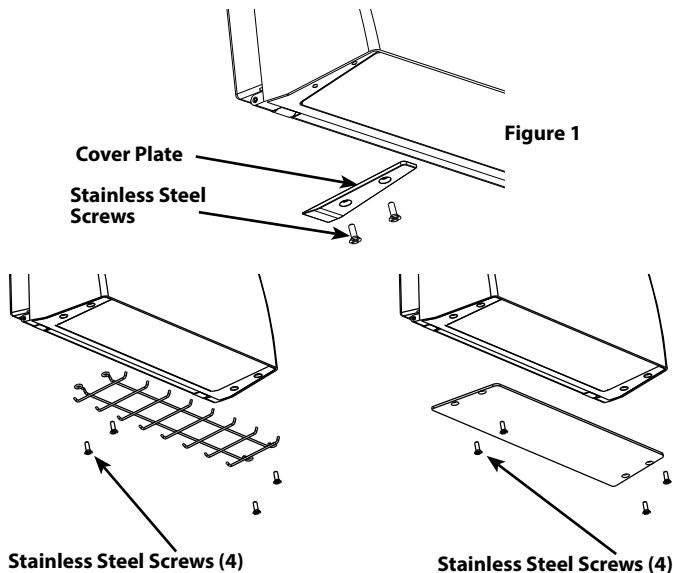


SLIM™ 57 INSTALLATION INSTRUCTIONS

Thank you for buying RAB lighting fixtures. Our goal is to design the best quality products to get the job done right. We'd like to hear your comments. Call the Marketing Department at 888-RAB-1000 or email: marketing@rabweb.com

GUARD/ SHIELD INSTALLATION

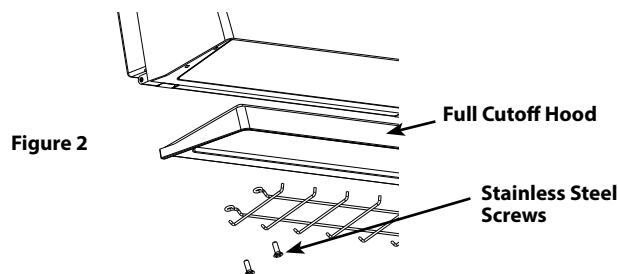
1. Remove left and right **Cover Plates** as in figure 1 and discard.
2. Mount wire guard and/ or poly shield with (4) #8-32 x 1/2" **Stainless Steel Screws**. Screws are provided with the accessory.



Note: Guard and shield may be used together.

FULL CUTOFF/ GUARD/ SHIELD INSTALLATION

1. Remove (4) **Stainless Steel Screws** from the **Full Cutoff Hood**.
2. Mount wire guard and/ or poly shield over the full cutoff hood with (4) #8-32 x 1/2" **Stainless Steel Screws** as shown in figure 2. Screws are provided with the accessory.

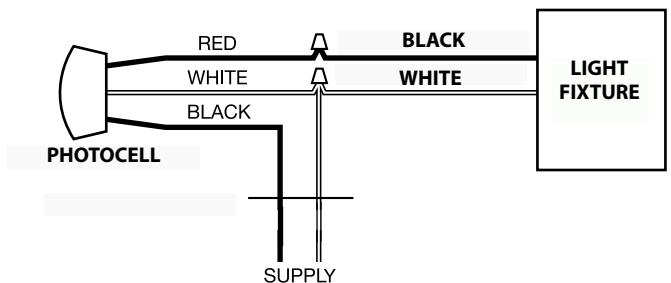


Note: Guard, shield and full cutoff hood may be used together with (4) #8-32 x 3/4" stainless steel screws (supplied by others).

PHOTOCELL INSTALLATION

Photocell may be installed in the field. Apply weatherproof silicone sealant to all plugs and unused conduit entries.

1. Remove close up plug on top of the wall mounting box.
2. Install photocell and wire as per diagram.
3. Use photocell rated for your supply voltage.



CLEANING & MAINTENANCE

CAUTION: Be sure fixture temperature is cool enough to touch. Do not clean or maintain while fixture is energized.

1. Clean glass lens & fixture with non-abrasive glass cleaning solution.
2. Do not open fixture to clean the LED. Do not touch the LED.

TROUBLESHOOTING

1. Check that the line voltage at fixture is correct. Refer to wiring directions.
2. Is the fixture grounded properly?
3. Be sure the photocell, if used, is functioning properly.

SLIMTM 57 INSTALLATION INSTRUCTIONS



Thank you for buying RAB lighting fixtures. Our goal is to design the best quality products to get the job done right. We'd like to hear your comments. Call the Marketing Department at 888-RAB-1000 or email: marketing@rabweb.com

SLIM57 Cool

LED lighting facts[®]
A Program of the U.S. DOE

Light Output (Lumens)	4312
Watts	56.6
Lumens per Watt (Efficacy)	76

Color Accuracy Color Rendering Index (CRI)	74
---	----

Light Color
Correlated Color Temperature (CCT) 5283 (Daylight)

2700K 3000K 4500K 6500K

All results are according to IESNA LM-79-2008: *Approved Method for the Electrical and Photometric Testing of Solid-State Lighting*. The U.S. Department of Energy (DOE) verifies product test data and results.

Visit www.lightingfacts.com for the *Label Reference Guide*.

Registration Number: WYMA-VQ252H (8/24/2013)
Model Number: SLIM57
Type: Luminaire - Area/Roadway

SLIM57 Neutral

LED lighting facts[®]
A Program of the U.S. DOE

Light Output (Lumens)	3893
Watts	56.6
Lumens per Watt (Efficacy)	68

Color Accuracy Color Rendering Index (CRI)	78
---	----

Light Color
Correlated Color Temperature (CCT) 4159 (Bright White)

2700K 3000K 4500K 6500K

All results are according to IESNA LM-79-2008: *Approved Method for the Electrical and Photometric Testing of Solid-State Lighting*. The U.S. Department of Energy (DOE) verifies product test data and results.

Visit www.lightingfacts.com for the *Label Reference Guide*.

Registration Number: WYMA-L42PQ5 (9/24/2013)
Model Number: SLIM57N
Type: Luminaire - Area/Roadway

SLIM57 Warm

LED lighting facts[®]
A Program of the U.S. DOE

Light Output (Lumens)	3739
Watts	56.7
Lumens per Watt (Efficacy)	66

Color Accuracy Color Rendering Index (CRI)	80
---	----

Light Color
Correlated Color Temperature (CCT) 3148 (Bright White)

2700K 3000K 4500K 6500K

All results are according to IESNA LM-79-2008: *Approved Method for the Electrical and Photometric Testing of Solid-State Lighting*. The U.S. Department of Energy (DOE) verifies product test data and results.

Visit www.lightingfacts.com for the *Label Reference Guide*.

Registration Number: WYMA-ZN122A (9/24/2013)
Model Number: SLIM57Y
Type: Luminaire - Area/Roadway

SLIMFC57 Cool

LED lighting facts[®]
A Program of the U.S. DOE

Light Output (Lumens)	4163
Watts	56.6
Lumens per Watt (Efficacy)	73

Color Accuracy Color Rendering Index (CRI)	74
---	----

Light Color
Correlated Color Temperature (CCT) 5313 (Daylight)

2700K 3000K 4500K 6500K

All results are according to IESNA LM-79-2008: *Approved Method for the Electrical and Photometric Testing of Solid-State Lighting*. The U.S. Department of Energy (DOE) verifies product test data and results.

Visit www.lightingfacts.com for the *Label Reference Guide*.

Registration Number: WYMA-VQ252s (9/24/2013)
Model Number: SLIMFC57 (Upgrade - 9/13/2013)
Type: Luminaire - Area/Roadway

SLIMFC57 Neutral

LED lighting facts[®]
A Program of the U.S. DOE

Light Output (Lumens)	3753
Watts	56.6
Lumens per Watt (Efficacy)	66

Color Accuracy Color Rendering Index (CRI)	78
---	----

Light Color
Correlated Color Temperature (CCT) 4178 (Bright White)

2700K 3000K 4500K 6500K

All results are according to IESNA LM-79-2008: *Approved Method for the Electrical and Photometric Testing of Solid-State Lighting*. The U.S. Department of Energy (DOE) verifies product test data and results.

Visit www.lightingfacts.com for the *Label Reference Guide*.

Registration Number: WYMA-3HPR2Z (9/24/2013)
Model Number: SLIMFC57N
Type: Luminaire - Area/Roadway

SLIMFC57 Warm

LED lighting facts[®]
A Program of the U.S. DOE

Light Output (Lumens)	3598
Watts	56.6
Lumens per Watt (Efficacy)	63

Color Accuracy Color Rendering Index (CRI)	80
---	----

Light Color
Correlated Color Temperature (CCT) 3160 (Bright White)

2700K 3000K 4500K 6500K

All results are according to IESNA LM-79-2008: *Approved Method for the Electrical and Photometric Testing of Solid-State Lighting*. The U.S. Department of Energy (DOE) verifies product test data and results.

Visit www.lightingfacts.com for the *Label Reference Guide*.

Registration Number: WYMA-FGB1FT (9/24/2013)
Model Number: SLIMFC57Y
Type: Luminaire - Area/Roadway



Easy Installation & Product Help

Tech Help Line
Call our experts 888 RAB-1000

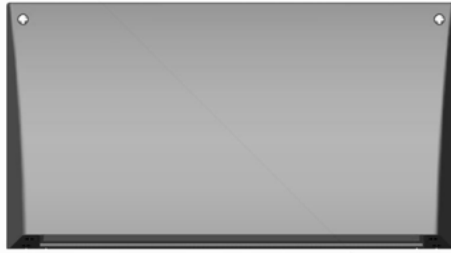
rabweb.com
Visit our website for product info

email
Answered promptly sales@rabweb.com

SLIM™ 62 INSTALLATION INSTRUCTIONS

RAB
LIGHTING

Thank you for buying RAB lighting fixtures. Our goal is to design the best quality products to get the job done right. We'd like to hear your comments. Call the Marketing Department at 888-RAB-1000 or email: marketing@rabweb.com



IMPORTANT

READ CAREFULLY BEFORE INSTALLING FIXTURE. RETAIN THESE INSTRUCTIONS FOR FUTURE REFERENCE.

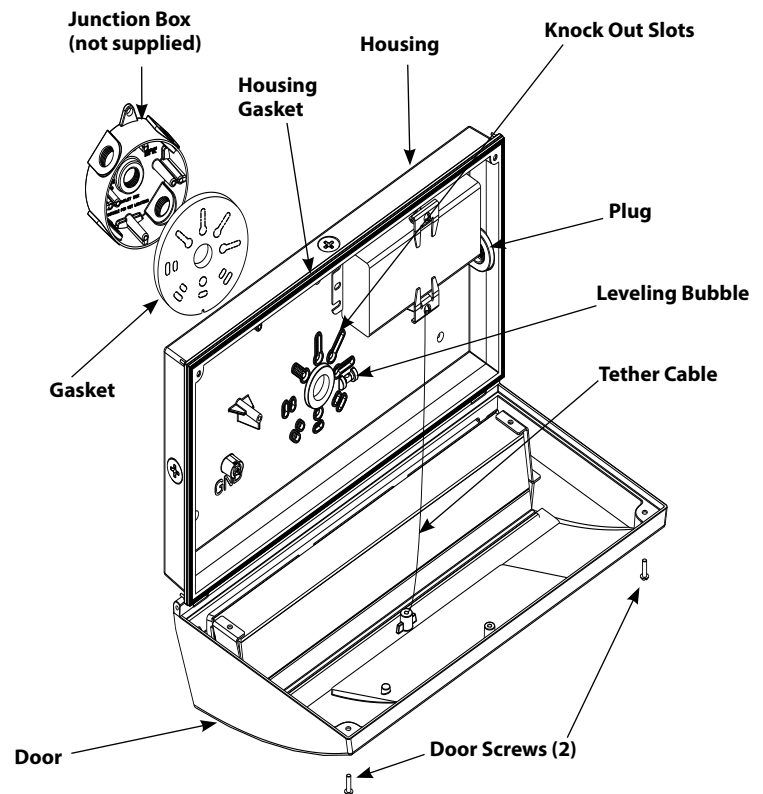
Fixtures must be wired in accordance with the National Electrical Code and all applicable local codes. Proper grounding is required for safety. THIS PRODUCT MUST BE INSTALLED IN ACCORDANCE WITH THE APPLICABLE INSTALLATION CODE BY A PERSON FAMILIAR WITH THE CONSTRUCTION AND OPERATION OF THE PRODUCT AND THE HAZARDS INVOLVED.

WARNING: Make certain power is OFF before installing or maintaining fixture. No user serviceable parts inside.

FIXTURE MOUNTING

To ensure weatherproof seal, apply weatherproof silicone sealant around the edge of the **Housing** and/or **Junction Box**. This is especially important with an uneven wall surface. Silicone all plugs and unused conduit entries.

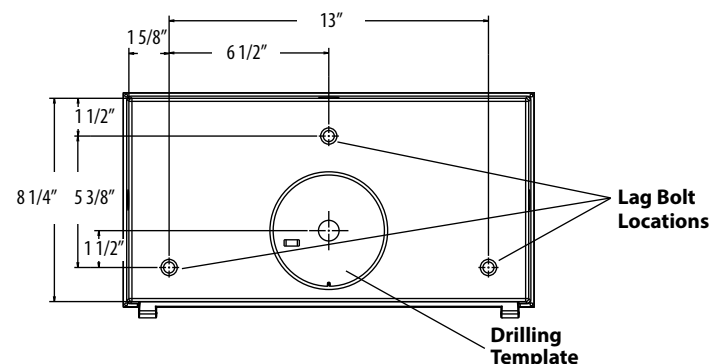
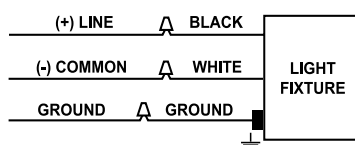
1. Loosen **Door Screws** and open the **Door**. Screws will remain in place.
2. **Tether Cable** provided for hands free wiring.
3. Knock out appropriate **Slots** when mounting to junction box (not supplied) or lag bolt to mounting surface using locations noted below. Use **Leveling Bubble** to level fixture.
4. Feed supply wires through **Junction Box (not supplied)**. Check that the **Gasket** is fully sealed.
5. Make sure **Housing Gasket** is properly seated. Close and tighten the **Door Screws**. Silicone all **Plugs** and unused conduit entries.
6. If outdoor surface is irregular, use caulk to seal any gaps around the **Housing**.



WIRING

Universal voltage driver permits operation at 120V thru 277V, 50 or 60 Hz. except fixtures factory ordered with a 120V photocell (/PC) and 277V photocell (/PC2) and fixtures factory ordered with a 120V swivel photocell (/PCS) or 277V swivel photocell (/PCS2) or 480V swivel photocell (/PCS4). Units ordered with (/480V) suffix are 480V.

1. Connect the black fixture lead to the (+) LINE supply lead.
2. Connect the white fixture lead to the (-) COMMON supply lead.
3. Connect the GROUND wire from fixture to supply ground.



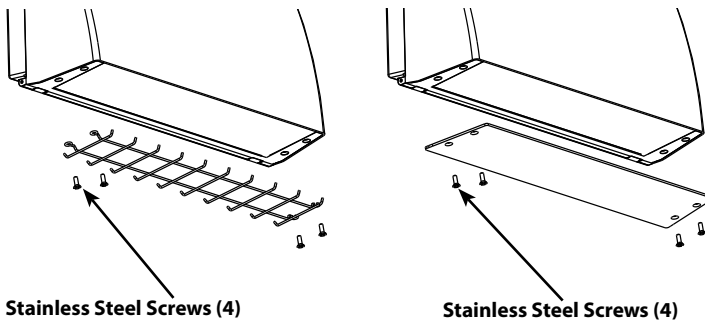
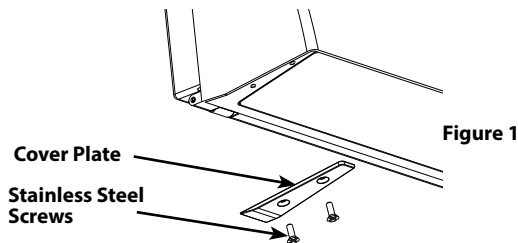
SLIM™ 62 INSTALLATION INSTRUCTIONS



Thank you for buying RAB lighting fixtures. Our goal is to design the best quality products to get the job done right. We'd like to hear your comments. Call the Marketing Department at 888-RAB-1000 or email: marketing@rabweb.com

GUARD/ SHIELD INSTALLATION

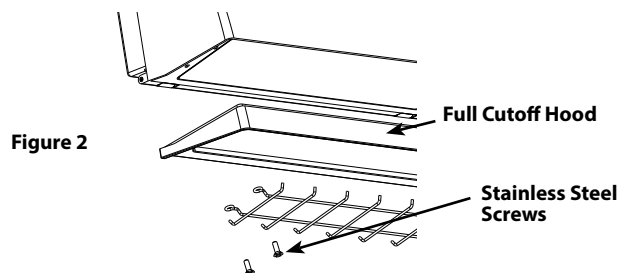
1. Remove left and right **Cover Plates** as in figure 1 and discard.
2. Mount wire guard and/ or poly shield with (4) #8-32 x 1/2" **Stainless Steel Screws**. Screws are provided with the accessory.



Note: Guard and shield may be used together.

FULL CUTOFF/ GUARD/ SHIELD INSTALLATION

1. Remove (4) **Stainless Steel Screws** from the **Full Cutoff Hood**.
2. Mount wire guard and/ or poly shield over the full cutoff hood with (4) #8-32 x 1/2" **Stainless Steel Screws** as shown in figure 2. Screws are provided with the accessory.



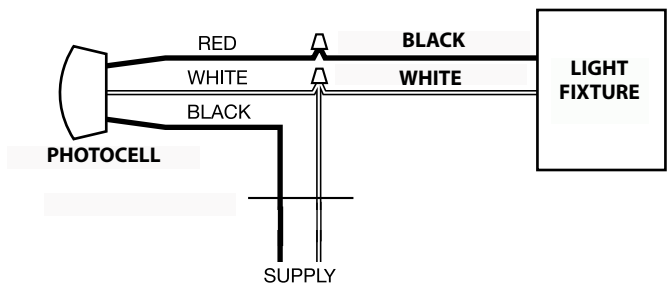
Note: Guard, shield and full cutoff hood may be used together with (4) #8-32 x 3/4" stainless steel screws (supplied by others).

Note: These instructions do not cover all details or variations in equipment nor do they provide for every possible situation during installation operation or maintenance.

PHOTOCELL INSTALLATION

Photocell may be installed in the field. Apply weatherproof silicone sealant to all plugs and unused conduit entries.

1. Remove close up plug on top of the wall mounting box.
2. Install photocell and wire as per diagram.
3. Use photocell rated for your supply voltage.



CLEANING & MAINTENANCE

CAUTION: Be sure fixture temperature is cool enough to touch. Do not clean or maintain while fixture is energized.

1. Clean glass lens & fixture with non-abrasive glass cleaning solution.
2. Do not open fixture to clean the LED. Do not touch the LED.

TROUBLESHOOTING

1. Check that the line voltage at fixture is correct. Refer to wiring directions.
2. Is the fixture grounded properly?
3. Be sure the photocell, if used, is functioning properly.

SLIMTM 62 INSTALLATION INSTRUCTIONS



Thank you for buying RAB lighting fixtures. Our goal is to design the best quality products to get the job done right. We'd like to hear your comments. Call the Marketing Department at 888-RAB-1000 or email: marketing@rabweb.com

SLIM62 Cool

LED lighting facts
A Program of the U.S. DOE

Light Output (Lumens)	4775
Watts	61.5
Lumens per Watt (Efficacy)	77

Color Accuracy	74
Color Rendering Index (CRI)	

Light Color
Correlated Color Temperature (CCT): 4890 (Daylight)

2700K 3000K 4500K 6500K

All results are according to IESNA LM-79-2008: Approved Method for the Electrical and Photometric Testing of Solid-State Lighting. The U.S. Department of Energy (DOE) verifies product test data and results.

Visit www.lightingfacts.com for the Label Reference Guide.

Registration Number: WYMA-2PEC5M (8/20/2013)
Model Number: SLIM62
Type: Outdoor wall pack

SLIM62 Neutral

LED lighting facts
A Program of the U.S. DOE

Light Output (Lumens)	4402
Watts	61.8
Lumens per Watt (Efficacy)	71

Color Accuracy	82
Color Rendering Index (CRI)	

Light Color
Correlated Color Temperature (CCT): 3950 (Bright White)

2700K 3000K 4500K 6500K

All results are according to IESNA LM-79-2008: Approved Method for the Electrical and Photometric Testing of Solid-State Lighting. The U.S. Department of Energy (DOE) verifies product test data and results.

Visit www.lightingfacts.com for the Label Reference Guide.

Registration Number: WYMA-KYDQDE (8/20/2013)
Model Number: SLIM62N
Type: Outdoor wall pack

SLIM62 Warm

LED lighting facts
A Program of the U.S. DOE

Light Output (Lumens)	4168
Watts	62.5
Lumens per Watt (Efficacy)	66

Color Accuracy	81
Color Rendering Index (CRI)	

Light Color
Correlated Color Temperature (CCT): 3113 (Bright White)

2700K 3000K 4500K 6500K

All results are according to IESNA LM-79-2008: Approved Method for the Electrical and Photometric Testing of Solid-State Lighting. The U.S. Department of Energy (DOE) verifies product test data and results.

Visit www.lightingfacts.com for the Label Reference Guide.

Registration Number: WYMA-SMCZBL (8/20/2013)
Model Number: SLIM62Y
Type: Outdoor wall pack

SLIMFC62 Cool

LED lighting facts
A Program of the U.S. DOE

Light Output (Lumens)	4444
Watts	61.5
Lumens per Watt (Efficacy)	72

Color Accuracy	74
Color Rendering Index (CRI)	

Light Color
Correlated Color Temperature (CCT): 4902 (Daylight)

2700K 3000K 4500K 6500K

All results are according to IESNA LM-79-2008: Approved Method for the Electrical and Photometric Testing of Solid-State Lighting. The U.S. Department of Energy (DOE) verifies product test data and results.

Visit www.lightingfacts.com for the Label Reference Guide.

Registration Number: WYMA-7A1W53 (8/20/2013)
Model Number: SLIMFC62
Type: Outdoor wall pack

SLIMFC62 Neutral

LED lighting facts
A Program of the U.S. DOE

Light Output (Lumens)	4103
Watts	61.9
Lumens per Watt (Efficacy)	66

Color Accuracy	82
Color Rendering Index (CRI)	

Light Color
Correlated Color Temperature (CCT): 3964 (Bright White)

2700K 3000K 4500K 6500K

All results are according to IESNA LM-79-2008: Approved Method for the Electrical and Photometric Testing of Solid-State Lighting. The U.S. Department of Energy (DOE) verifies product test data and results.

Visit www.lightingfacts.com for the Label Reference Guide.

Registration Number: WYMA-AHH748 (8/20/2013)
Model Number: SLIMFC62N
Type: Outdoor wall pack

SLIMFC62 Warm

LED lighting facts
A Program of the U.S. DOE

Light Output (Lumens)	3881
Watts	62.5
Lumens per Watt (Efficacy)	62

Color Accuracy	82
Color Rendering Index (CRI)	

Light Color
Correlated Color Temperature (CCT): 3117 (Bright White)

2700K 3000K 4500K 6500K

All results are according to IESNA LM-79-2008: Approved Method for the Electrical and Photometric Testing of Solid-State Lighting. The U.S. Department of Energy (DOE) verifies product test data and results.

Visit www.lightingfacts.com for the Label Reference Guide.

Registration Number: WYMA-KC77VL (8/20/2013)
Model Number: SLIMFC62Y
Type: Outdoor wall pack



Easy Installation & Product Help

Tech Help Line
Call our experts 888 RAB-1000

rabweb.com
Visit our website for product info

email
Answered promptly sales@rabweb.com