

# ANGSHARK ACCESSORY INSTRUCTIONS

Thank you for buying RAB lighting fixtures. Our goal is to design the best quality products to get the job done right. We'd like to hear your comments. Call the Marketing Department at 888-RAB-1000 or email: [marketing@rabweb.com](mailto:marketing@rabweb.com)

## IMPORTANT

**READ CAREFULLY BEFORE INSTALLING FIXTURE. RETAIN THESE INSTRUCTIONS FOR FUTURE REFERENCE.**

Fixtures must be wired in accordance with the National Electrical Code and all applicable local codes. Proper grounding is required for safety. THIS PRODUCT MUST BE INSTALLED IN ACCORDANCE WITH THE APPLICABLE INSTALLATION CODE BY A PERSON FAMILIAR WITH THE CONSTRUCTION AND OPERATION OF THE PRODUCT AND THE HAZARDS INVOLVED.

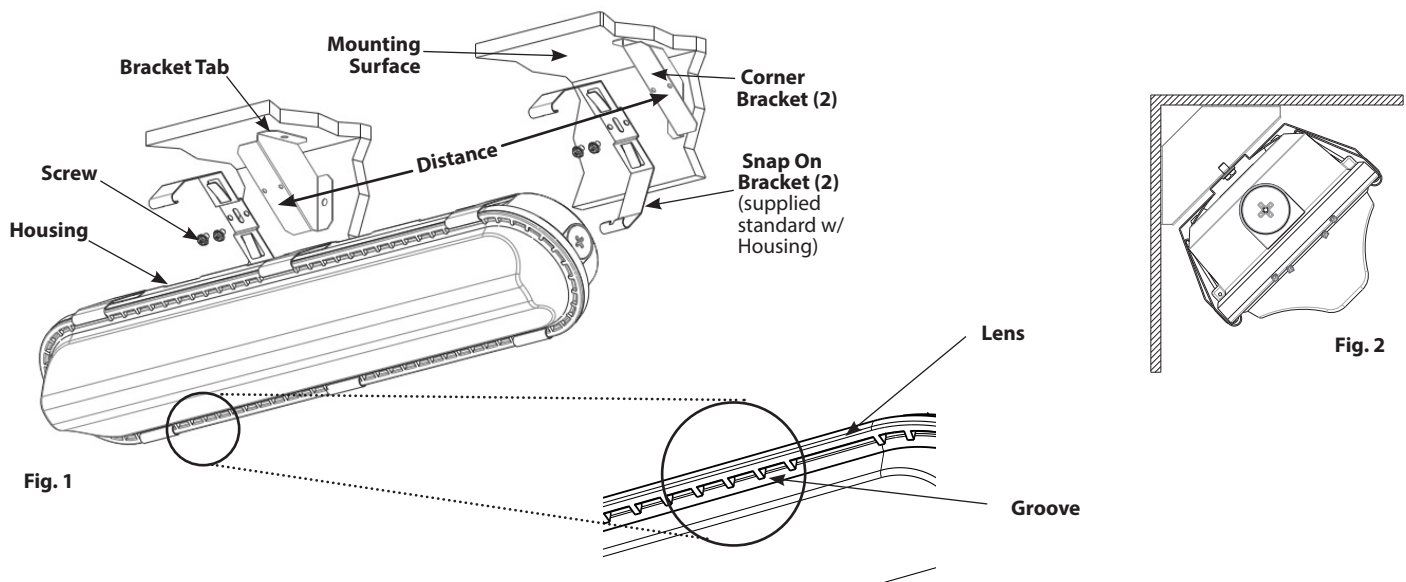
**WARNING: Make certain power is OFF before installing or maintaining fixture. No user serviceable parts inside.**

## CAUTION:

- For proper weatherproof function all gaskets must be seated properly and all screws and plugs inserted and tightened firmly.
- Apply weatherproof silicone sealant around the edge of the Housing. This is especially important with an uneven ceiling surface.
- Silicone all plugs and unused conduit entries and USE SHARK WITH CONDUIT ONLY.
- FOLLOW ALL SHARK™ (sold separately) INSTALLATION INSTRUCTIONS

## ANGSHARK INSTALLATION

1. Use appropriate mounting hardware (not supplied) to secure the **Corner Bracket (2)** to mounting surface as shown in **Fig. 1**. **Bracket Tabs** must face towards each other. Recommended **Corner Bracket Distance** center to center is 13-5/16" (for 2 feet) and 35-23/32" (for 4 feet).
2. Secure **Snap On Bracket (2)** (supplied standard with Housing) to **Corner Bracket (2)** with **Screws** provided as shown in **Fig. 1**.
3. Snap **Housing** on **Snap On Brackets (2)**. **Snap On Brackets (2)** latch onto the **Grooves** on **Lens** as shown in **Fig. 1** to secure **Housing**. Fixture installation should look like **Fig. 2** upon completion.



## TROUBLESHOOTING

1. Check that line voltage at the fixture is correct. Be sure the fixture is grounded properly.
2. Refer to wiring, cleaning and maintenance directions on SHARK™ (sold separately) Installation Instructions.

Note: These instructions do not cover all details or variations in equipment nor do they provide for every possible situation during installation operation or maintenance.

# CMSHARK ACCESSORY INSTRUCTIONS

Thank you for buying RAB lighting fixtures. Our goal is to design the best quality products to get the job done right. We'd like to hear your comments. Call the Marketing Department at 888-RAB-1000 or email: [marketing@rabweb.com](mailto:marketing@rabweb.com)

## IMPORTANT

**READ CAREFULLY BEFORE INSTALLING FIXTURE. RETAIN THESE INSTRUCTIONS FOR FUTURE REFERENCE.**

Fixtures must be wired in accordance with the National Electrical Code and all applicable local codes. Proper grounding is required for safety. THIS PRODUCT MUST BE INSTALLED IN ACCORDANCE WITH THE APPLICABLE INSTALLATION CODE BY A PERSON FAMILIAR WITH THE CONSTRUCTION AND OPERATION OF THE PRODUCT AND THE HAZARDS INVOLVED.

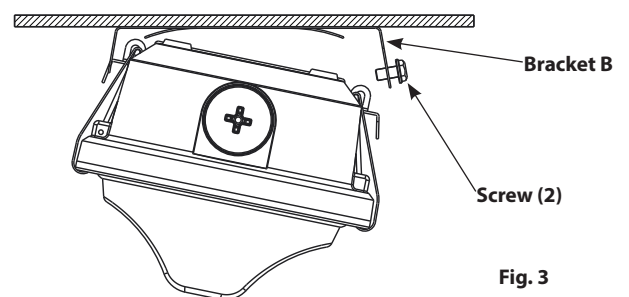
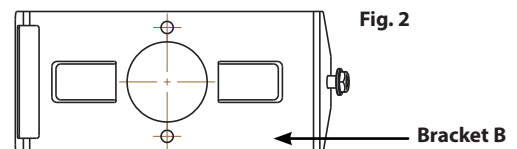
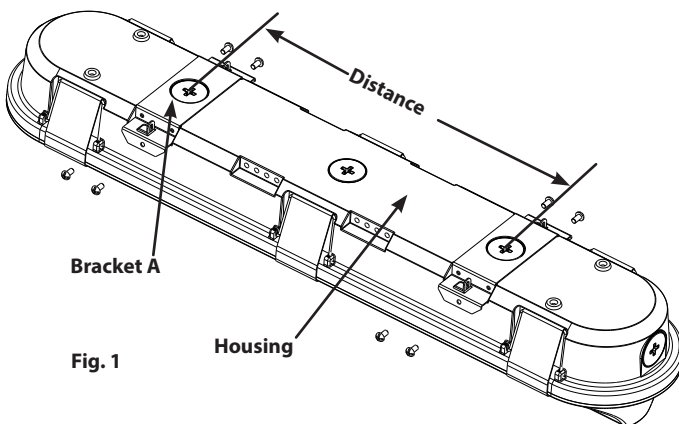
**WARNING: Make certain power is OFF before installing or maintaining fixture. No user serviceable parts inside.**

## CAUTION:

- For proper weatherproof function all gaskets must be seated properly and all screws and plugs inserted and tightened firmly.
- Apply weatherproof silicone sealant around the edge of the Housing. This is especially important with an uneven ceiling surface.
- Silicone all plugs and unused conduit entries and USE SHARK WITH CONDUIT ONLY.
- FOLLOW ALL SHARK™ (sold separately) INSTALLATION INSTRUCTIONS

## CMSHARK INSTALLATION

1. Secure each **Bracket A (2)** to **Housing** with screws provided.  
**WARNING:** Brackets must be mounted at exact location as shown in **Fig. 1**.
2. Use appropriate mounting hardware (not supplied) to secure each **Bracket B (2)** (**Fig. 2**) to mounting surface. Bracket **Distance** measured center to center is 12-19/32" (for 2 feet) and 32" (for 4 feet) (**Fig. 1**).  
**WARNING:** To secure **Housing**, **Bracket B (2)** must be aligned with each other.
3. Hang one side of **Bracket A** onto **Bracket B** and tighten **Screw (2)** on other side as shown in **Fig. 3**



## TROUBLESHOOTING

1. Check that line voltage at the fixture is correct. Be sure the fixture is grounded properly.
2. Refer to wiring, cleaning and maintenance directions on SHARK™ (sold separately) Installation Instructions.

Note: These instructions do not cover all details or variations in equipment nor do they provide for every possible situation during installation operation or maintenance.

# JBSHARK ACCESSORY INSTRUCTIONS

Thank you for buying RAB lighting fixtures. Our goal is to design the best quality products to get the job done right. We'd like to hear your comments. Call the Marketing Department at 888-RAB-1000 or email: [marketing@rabweb.com](mailto:marketing@rabweb.com)

## IMPORTANT

**READ CAREFULLY BEFORE INSTALLING FIXTURE. RETAIN THESE INSTRUCTIONS FOR FUTURE REFERENCE.**

Fixtures must be wired in accordance with the National Electrical Code and all applicable local codes. Proper grounding is required for safety. THIS PRODUCT MUST BE INSTALLED IN ACCORDANCE WITH THE APPLICABLE INSTALLATION CODE BY A PERSON FAMILIAR WITH THE CONSTRUCTION AND OPERATION OF THE PRODUCT AND THE HAZARDS INVOLVED.

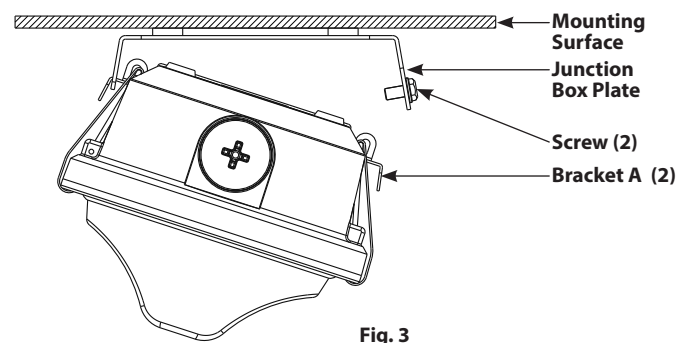
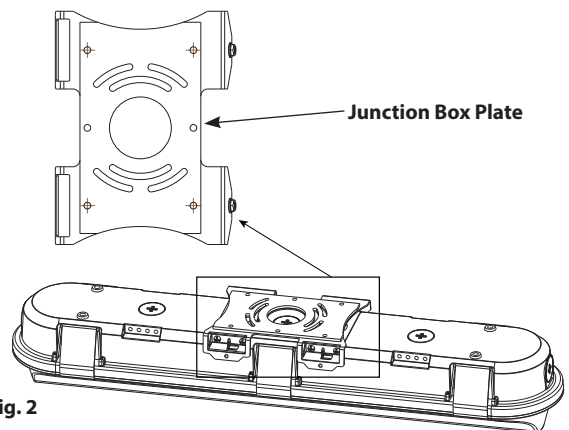
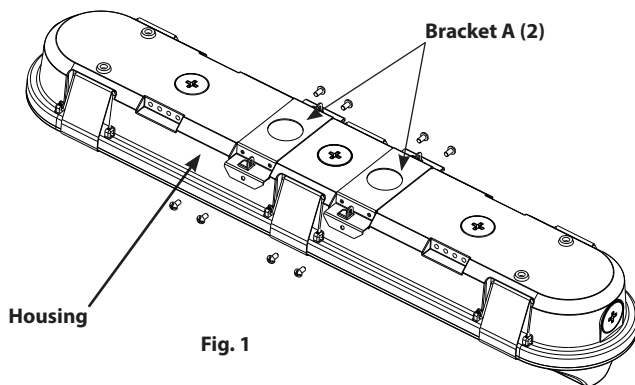
**WARNING: Make certain power is OFF before installing or maintaining fixture. No user serviceable parts inside.**

## CAUTION:

- For proper weatherproof function all gaskets must be seated properly and all screws and plugs inserted and tightened firmly.
- Apply weatherproof silicone sealant around the edge of the Housing. This is especially important with an uneven ceiling surface.
- Silicone all plugs and unused conduit entries and USE SHARK WITH CONDUIT ONLY.
- FOLLOW ALL SHARK™ (sold separately) INSTALLATION INSTRUCTIONS

## JBSHARK INSTALLATION

1. Secure **Bracket A (2)** to **Housing** with screws provided.  
**WARNING:** Brackets must be mounted at exact location shown in **Fig. 1**.
2. Use appropriate mounting hardware (not supplied) to secure the **Junction Box Plate (Fig. 2)** to **Mounting Surface** or junction box (**Fig. 3**). Check that gasket is fully sealed. Use Cord Grip provided with fixture to feed supply wires in fixture.
3. Hang one side of each **Bracket A** onto **Junction Box Plate** and tighten **Screws (2)** on other side as shown in **Fig. 3**.



## TROUBLESHOOTING

1. Check that line voltage at the fixture is correct. Be sure the fixture is grounded properly.
2. Refer to wiring, cleaning and maintenance directions on SHARK™ (sold separately) Installation Instructions.

Note: These instructions do not cover all details or variations in equipment nor do they provide for every possible situation during installation operation or maintenance.

# VHOOKSHARK ACCESSORY INSTRUCTIONS

Thank you for buying RAB lighting fixtures. Our goal is to design the best quality products to get the job done right. We'd like to hear your comments. Call the Marketing Department at 888-RAB-1000 or email: [marketing@rabweb.com](mailto:marketing@rabweb.com)

## IMPORTANT

**READ CAREFULLY BEFORE INSTALLING FIXTURE. RETAIN THESE INSTRUCTIONS FOR FUTURE REFERENCE.**

Fixtures must be wired in accordance with the National Electrical Code and all applicable local codes. Proper grounding is required for safety. THIS PRODUCT MUST BE INSTALLED IN ACCORDANCE WITH THE APPLICABLE INSTALLATION CODE BY A PERSON FAMILIAR WITH THE CONSTRUCTION AND OPERATION OF THE PRODUCT AND THE HAZARDS INVOLVED.

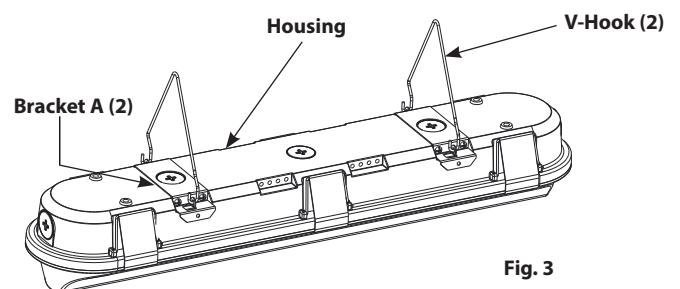
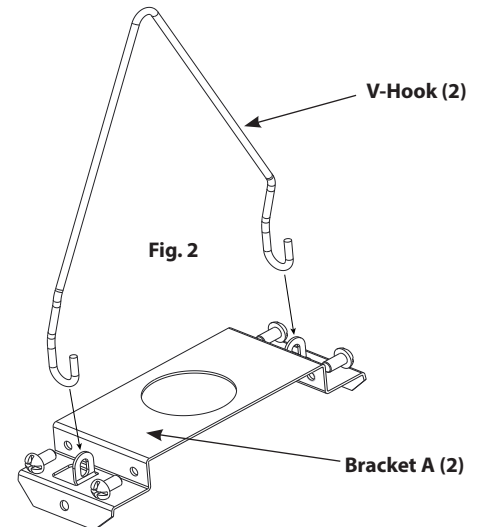
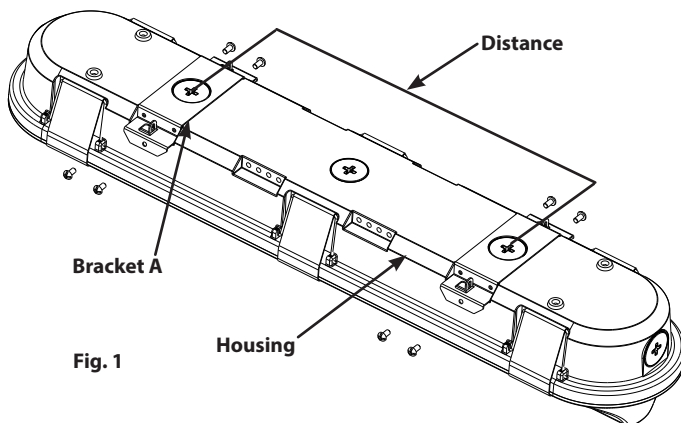
**WARNING: Make certain power is OFF before installing or maintaining fixture. No user serviceable parts inside.**

## CAUTION:

- For proper weatherproof function all gaskets must be seated properly and all screws and plugs inserted and tightened firmly.
- Apply weatherproof silicone sealant around the edge of the Housing. This is especially important with an uneven ceiling surface.
- Silicone all plugs and unused conduit entries and **USE SHARK WITH CONDUIT ONLY.**
- FOLLOW ALL SHARK™ (sold separately) INSTALLATION INSTRUCTIONS

## VHOOKSHARK INSTALLATION

1. Secure **Bracket A (2)** to **Housing** with screws provided.  
**WARNING:** Brackets must be mounted at exact location shown in **Fig. 1**.
2. Loop each **V-Hook (2)** on **Bracket A** as shown in **Fig. 2**. Fixture should look like **Fig. 3** when finished with step 2.
3. To suspend **Housing**, connect each **V-Hook** to two (2) equal lengths of chain (not supplied) and/or appropriate hardware (by others) suitable for mounting surface. Use chain suitable to support four (4) times the weight of the fixture.



## TROUBLESHOOTING

1. Check that line voltage at the fixture is correct. Be sure the fixture is grounded properly.
2. Refer to wiring, cleaning and maintenance directions on SHARK™ (sold separately) Installation Instructions.

*Note: These instructions do not cover all details or variations in equipment nor do they provide for every possible situation during installation operation or maintenance.*

# TPKSHARK SHARK™ TAMPERPROOF BRACKETS



Thank you for buying RAB lighting fixtures. Our goal is to design the best quality products to get the job done right. We'd like to hear your comments. Call the Marketing Department at 888-RAB-1000, or email: [marketing@rabweb.com](mailto:marketing@rabweb.com)

## IMPORTANT

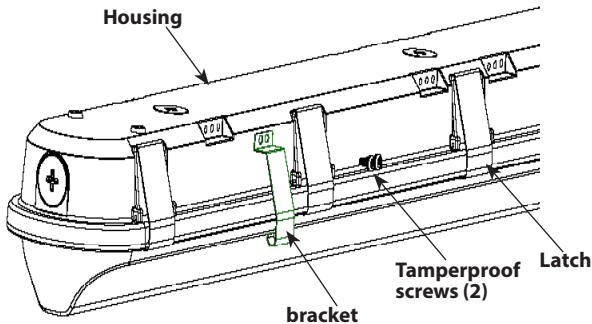
**READ CAREFULLY BEFORE INSTALLING FIXTURE. RETAIN THESE INSTRUCTIONS FOR FUTURE REFERENCE.**

RAB fixtures must be wired in accordance with the National Electrical Code and all applicable local codes. Proper grounding is required for safety. This product must be installed in accordance with the applicable installation code by a person familiar with the construction and operation of the product and the hazards involved.

**WARNING: Make certain power is OFF before installing or maintaining fixture.**

## TAMPERPROOF BRACKET MOUNT

1. The tamperproof **brackets** (4 in each kit) can be installed on already installed **Housing** without opening the **Housing**.
2. The tamperproof **bracket** mounts to existing holes on the **Housing** between the **Latch** (as shown in fig).
3. Clip the **bracket** on the lens. Secure the **bracket** with provided screws (2 for each bracket) using star head T20 drive.



## CLEANING

Clean glass lens with nonabrasive glass cleaning solution.

**CAUTION: Be sure fixture temperature is cool enough to touch. Do not clean or maintain while fixture is energized.**

Note: These instructions do not cover all details or variations in equipment nor do they provide for every possible situation during installation, operation or maintenance.