



Die cast aluminum wiring box with weatherproof gasket, ground screw, and two sturdy lugs for wall or ceiling mounting. Die cast aluminum cover with three 1/2" holes supplied with 2 stainless steel screws and one close-up plug.

Color: Verde green

Weight: 0.8 lbs

| | |
|---------------------|--------------|
| Project: | Type: |
| Prepared By: | Date: |

| Lamp Info | | Ballast Info | |
|--------------|-------|--------------|-----|
| Type: | N/A | Type: | N/A |
| Watts: | 0W | 120V: | N/A |
| Shape/Size: | Round | 208V: | N/A |
| Base: | N/A | 240V: | N/A |
| ANSI: | N/A | 277V: | N/A |
| Hours: | N/A | Input Watts: | 0W |
| Lamp Lumens: | N/A | | |
| Efficacy: | N/A | | |

Technical Specifications

Listings

UL Listing:

Suitable for wet locations.

Other

Box Material:

Precision die cast aluminum.

Construction

Gasket:

1/8" thick closed cell EPDM Foam for long lasting seal that won't crumple or break.

Screws:

10-24 Stainless steel Round Head Phillips/slotted.

Gasket:

1/8" thick closed cell silicone rubber.

Ground Screw:

10-24 Green corrosion protected steel slotted washer head screw provided in pre-tapped hole

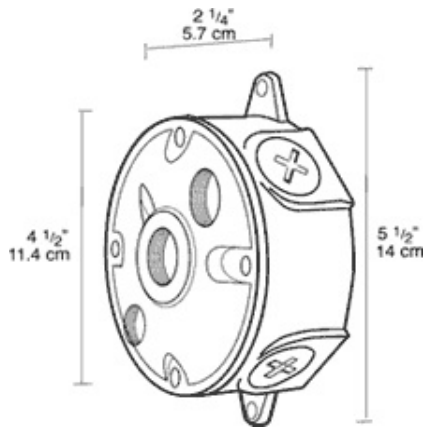
Box Diameter:

4".

Side Hole Thread Size:

1/2"

Dimensions



Features

Stainless steel screws

Green hex slotted washer head ground screw in pre-tapped hole

Heavy die cast aluminum

Close-up plugs allow Phillips or slotted screwdrivers for easy installation

1/8" thick weatherseal gasket is closed cell foam rubber for long lasting seal that won't crumple or break