

RACO COMMERCIAL FITTINGS



GENERAL INFORMATION

When you need to couple, connect, fasten, or ground conduit or cables, RACO® fittings are your best answer.

Choose from specification grade malleable iron, steel, lightweight aluminum, or die cast zinc materials. Many are UL Listed as raintight, concrete-tight, or liquidtight.

PRODUCT FEATURES: RACO® FITTINGS

- RACO® fittings are designed to save time on the job
- Locknuts won't slip or spin
- Premium set screws provide reliable continuity of ground
- Insulated throats protect insulation during wire pulling

Fittings should be installed by licensed electricians in compliance with national and local electrical codes.

STANDARDS

Where applicable, RACO® products are engineered in accordance with the standards established by Underwriters' Laboratories (UL).

Most products are listed by UL and also certified by the Canadian Standards Association (CSA). Dimensional data listed in this catalog is intended for general reference with broad tolerance limits.

RACO® fittings generally conform to Federal Specifications and Standards A-A-50552, A-A-50553A, A-A-50563A, NEMA FB1, U.L. 467, U.L. 514B, and CSA Standard C22.2 no.18.3. Note: ANSI Standard C80-4 has been cancelled and replaced by NEMA FB1.

Underwriters' Laboratories, Inc. file numbers: E195969 rigid, IMC and liquidtight fittings; E195970 EMT fittings; E195971 non-metallic sheathed cable fittings; E195972 service entrance cable fittings; E195966 armored and flexible metal cable fittings; E195973 outlet bushings and fittings; E195975 grounding and bonding equipment.

For Underwriters' Laboratories, Inc. and Canadian Standards Association listing marks, see RACO® product and carton labels.



For installation guidelines and to learn more about RACO products, visit the NEMA website at <http://www.nema.org>.

The National Electrical Manufacturers Association (NEMA) website is a valuable electrical resource providing the information you need - quickly. Standards and technical information, installation guides, industry news and economic trends, events/meetings, the latest electroindustry, and legislative and regulatory information for more than fifty-one product areas ranging from arc welding to x-ray machines can be found with just a few clicks of your mouse.



SET SCREW CONNECTORS - STEEL



Insulated Connectors



Uninsulated Connectors

INSULATED CATALOG NUMBER	UNINSULATED CATALOG NUMBER	TRADE SIZE	UNIT CARTON QTY.	SHIP CARTON QTY.	UPC BAR CODE
Set Screw Connectors – Steel					
2122	2002	1/2"	50	500	—
2122-8	2002-8	1/2"	1	25	
2123	2003	3/4"	25	250	—
2123-8	2003-8	3/4"	1	20	
2124	2004	1"	25	100	—
2124-8	2004-8	1"	1	10	
2125	2005	1-1/4"	—	20	—
2126	2006	1-1/2"	—	20	—
2128	2008	2"	—	20	—
2160	2140	2-1/2"	—	5	—
2162RAC	2142	3"	—	1	—
2164	2144	3-1/2"	—	1	—
2166	2146	4"	—	1	—
U.S. MADE	Set Screw Connectors – Steel				
2122US	2002US	1/2"	50	250	—
2123US	2003US	3/4"	25	125	—
2124US	2004US	1"	20	100	—
2125US	2005US	1-1/4"	5	25	—
2126US	2006US	1-1/2"	5	25	—
2128US	2008US	2"	—	5	—
2160US	2140US	2-1/2"	—	5	—
2162US	2142US	3"	—	1	—
2164US	2144US	3-1/2"	—	1	—
2166US	2146US	4"	—	1	—

APPLICATIONS

- For use in dry locations to bond EMT conduit to a box or enclosure
- RACO® Steel set screw connectors provide concrete-tight connections when taped
- RACO® Set screw connectors are suitable for applications above 600V

PRODUCT FEATURES

- All steel construction insures mechanical protection for the raceway
- Tri-head screws (1/2" to 2" trade sizes) may be installed using a slotted, Phillips, or Robertson head screwdriver
- 2-1/2" to 4" trade sizes are also UL listed for use on Rigid/IMC conduit, allowing for design and installation flexibility
- All components are zinc electroplated for corrosion protection
- 1/2" to 1" trade sizes have one set screw, 1-1/4" to 4" trade sizes have two set screws
- UPC bar coded fittings are individually polybagged with a preprinted UPC-A bar code and packaged in pre-scored tear top cartons for an attractive presentation

COMPLIANCES

1/2" - 2"

- cUL_{us} - Standard 514B
C22.2 # 18

2-1/2" - 4"

- UL - Standard 514B
U L LISTED E195969, E195970





SET SCREW COUPLINGS - STEEL



Couplings

APPLICATIONS

- For use in dry locations to couple two ends of EMT conduit
- RACO® Steel set screw couplings provide concrete-tight connections when taped
- RACO® Set screw couplings are suitable for applications above 600V

PRODUCT FEATURES

- All steel construction insures mechanical protection for the raceway
- Tri-head screws (1/2" to 2" trade sizes) may be installed using a slotted, Phillips, or Robertson head screwdriver
- 2-1/2" to 4" trade sizes are also UL listed for use on Rigid/IMC conduit, allowing for design and installation flexibility
- All components are zinc electroplated for corrosion protection
- UPC bar coded fittings are individually polybagged with a preprinted UPC-A bar code and packaged in pre-scored tear top cartons for an attractive presentation

COMPLIANCES

1/2" - 2"

- - Standard 514B
C22.2 # 18

2-1/2" - 4"

- - Standard 514B
U L LISTED E195969, E195970

CATALOG NUMBER	TRADE SIZE	UNIT CARTON QTY.	SHIP CARTON QTY.	UPC BAR CODE
Set Screw Couplings – Steel				
2022	1/2"	50	500	—
2022-8	1/2"	1	25	
2023	3/4"	25	250	—
2023-8	3/4"	1	20	
2024	1"	25	100	—
2024-8	1"	1	10	
2025	1-1/4"	5	25	—
2026	1-1/2"	—	20	—
2028	2"	—	20	—
2150	2-1/2"	—	5	—
2152	3"	—	1	—
2154	3-1/2"	—	1	—
2156	4"	—	1	—
U.S. MADE Set Screw Couplings – Steel				
2022US	1/2"	50	250	—
2023US	3/4"	25	125	—
2024US	1"	10	50	—
2025US	1-1/4"	—	5	—
2026US	1-1/2"	—	5	—
2028US	2"	—	5	—
2150US	2-1/2"	—	5	—
2152US	3"	—	1	—
2154US	3-1/2"	—	1	—
2156US	4"	—	1	—





COMPRESSION CONNECTORS - STEEL



Insulated Throat Connectors



Uninsulated Throat Connectors

INSULATED CATALOG NUMBER	UNINSULATED CATALOG NUMBER	TRADE SIZE	UNIT CARTON QTY.	SHIP CARTON QTY.	UPC BAR CODE
Compression Connectors – Steel					
2912	2902	1/2"	50	500	—
2912-8	2902-8	1/2"	1	25	
2913	2903	3/4"	25	250	—
2913-8	2903-8	3/4"	1	20	
2914	2904	1"	25	100	—
2914-8	2904-8	1"	1	10	
2915	2905	1-1/4"	5	25	—
2916	2906	1-1/2"	—	20	—
2918	2908	2"	—	20	—
2960	2940	2-1/2"	—	5	—
2962	2942	3"	—	1	—
2964	2944	3-1/2"	—	1	—
2966	2946	4"	—	1	—
U.S. MADE Compression Connectors – Steel					
2912US	2902US	1/2"	50	250	—
2913US	2903US	3/4"	25	125	—
2914US	2904US	1"	20	100	—
2915US	2905US	1-1/4"	5	25	—
2916US	2906US	1-1/2"	5	25	—
2918US	2908US	2"	—	5	—
2960US	2940US	2-1/2"	—	5	—
2962US	2942US	3"	—	1	—
2964US	2944US	3-1/2"	—	1	—
2966US	2946US	4"	—	1	—

APPLICATIONS

- For use to bond EMT conduit to a box or enclosure
- RACO® 1/2" to 4" connectors provide concrete-tight connections
- RACO® Compression connectors are suitable for applications above 600V

PRODUCT FEATURES

- All steel construction insures mechanical protection for the raceway
- All components are zinc electroplated for corrosion protection
- UPC bar coded fittings are individually polybagged with a preprinted UPC-A bar code and packaged in pre-scored tear top cartons for an attractive presentation

COMPLIANCE

- us - Standard 514B
C 22.2 # 1
U L LISTED E195970



COMPRESSION COUPLINGS - STEEL



Couplings

APPLICATIONS

- For use in dry locations to couple two ends of EMT conduit
- RACO® Steel compression couplings provide concrete-tight connections
- RACO® compression couplings are suitable for applications above 600V

PRODUCT FEATURES

- All steel construction insures mechanical protection for the raceway
- All components are zinc electroplated for corrosion protection
- UPC bar coded fittings are individually polybagged with a preprinted UPC-A bar code and packaged in pre-scored tear top cartons for an attractive presentation

COMPLIANCE

- cUL^{us} - Standard 514B
C 22.2 # 18
U L LISTED E195970

CATALOG NUMBER	TRADE SIZE	UNIT CARTON QTY.	SHIP CARTON QTY.	UPC BAR CODE
Compression Couplings – Steel				
2922	1/2"	50	500	—
2922-8	1/2"	1	25	
2923	3/4"	25	250	—
2923-8	3/4"	1	15	
2924	1"	25	100	—
2924-8	1"	1	10	
2925	1-1/4"	5	25	—
2926	1-1/2"	—	20	—
2928	2"	—	20	—
2950	2-1/2"	—	5	—
2952	3"	—	1	—
2954	3-1/2"	—	1	—
2956	4"	—	1	—
U.S. MADE Compression Couplings – Steel				
2922US	1/2"	50	250	—
2923US	3/4"	25	125	—
2924US	1"	20	100	—
2925US	1-1/4"	5	25	—
2926US	1-1/2"	5	25	—
2928US	2"	—	5	—
2950US	2-1/2"	—	5	—
2952US	3"	—	1	—
2954US	3-1/2"	—	1	—
2956US	4"	—	1	—





RAINTIGHT COMPRESSION CONNECTORS - STEEL



Insulated Connectors



Uninsulated Connectors

INSULATED CATALOG NUMBER	UNINSULATED CATALOG NUMBER	TRADE SIZE	UNIT CARTON QTY.	SHIP CARTON QTY.	UPC BAR CODE
Compression Connectors, Raintight – Steel					
2912RT	2902RT	1/2"	50	250	—
2913RT	2903RT	3/4"	25	125	—
2914RT	2904RT	1"	15	75	—
2915RT	2905RT	1-1/4"	—	20	—
2916RT	2906RT	1-1/2"	—	10	—
2918RT	2908RT	2"	—	10	—
2960RT	2940RT	2-1/2"	—	1	—
2962RT	2942RT	3"	—	1	—
2964RT	2944RT	3-1/2"	—	1	—
2966RT	2946RT	4"	—	1	—

APPLICATIONS

- For use in wet locations to bond and secure EMT conduit to a box or enclosure
- RACO® Raintight Steel EMT Compression Fittings have been designed to comply with the new U.L. Raintight test requirements and to comply with the requirements of the 2008 NEC 358.42 and 314.15

PRODUCT FEATURES

- All steel construction insures mechanical protection for the raceway
- Fittings are available in 1/2" to 4" trade sizes
- Zinc electroplate finish
- All fittings are marked "Wet Locations" to allow inspecting authorities to immediately determine that the installation is up to code
- All connectors are supplied with a factory installed knockout seal. No need to add the expense of buying a gasket separately
- No need to disassemble the fitting prior to installation. RACO Raintight Steel EMT Compression Fittings are designed so that when they come out of the carton they can be installed directly on the conduit. No need to waste time loosening compression nuts
- No need for special tools to install properly. Install these fittings like any other Steel EMT Compression Fitting. No need for a torque wrench to insure proper installation

COMPLIANCE

- - Standard 514B
C 22.2 # 18
U L LISTED E195970





RAINTIGHT COMPRESSION COUPLINGS - STEEL



Couplings

APPLICATIONS

- For use in wet locations to couple two ends of EMT conduit
- RACO® Raintight Steel EMT Compression Fittings have been designed to comply with the new U.L. Raintight test requirements and to comply with the requirements of the 2008 NEC 358.42 and 314.15

PRODUCT FEATURES

- All steel construction insures mechanical protection for the raceway
- Fittings are available in 1/2" to 4" trade sizes
- Zinc electroplate finish
- All fittings are marked "Wet Locations" to allow inspecting authorities to immediately determine that the installation is up to code
- No need to disassemble the fitting prior to installation. RACO Raintight Steel EMT Compression Fittings are designed so that when they come out of the carton they can be installed directly on the conduit. No need to waste time loosening compression nuts
- No need for special tools to install properly. Install these fittings like any other Steel EMT Compression Fitting. No need for a torque wrench to insure proper installation

COMPLIANCE

- cUL_{us} - Standard 514B
C 22.2 # 18
U L LISTED E195970

CATALOG NUMBER	TRADE SIZE	UNIT CARTON QTY.	SHIP CARTON QTY.	UPC BAR CODE
Compression Couplings – Steel				
2922RT	1/2"	50	250	—
2923RT	3/4"	25	125	—
2924RT	1"	15	75	—
2925RT	1-1/4"	—	20	—
2926RT	1-1/2"	—	10	—
2928RT	2"	—	10	—
2950RT	2-1/2"	—	1	—
2952RT	3"	—	1	—
2954RT	3-1/2"	—	1	—
2956RT	4"	—	1	—

SEE END OF SECTION (PG B92) FOR DETAILED DRAWINGS >>





INDENTER CONNECTORS - STEEL



Insulated Connectors



Uninsulated Connectors

INSULATED CATALOG NUMBER	UNINSULATED CATALOG NUMBER	TRADE SIZE	UNIT CARTON QTY.	SHIP CARTON QTY.	UPC BAR CODE
Connectors – Steel					
1992	1972	1/2"	50	500	—
1993	1973	3/4"	25	250	—

APPLICATIONS

- For use in dry locations to bond EMT conduit to a box or enclosure
- RACO® indenter connectors provide concrete-tight connections when taped

PRODUCT FEATURES

- All steel construction insures mechanical protection for the raceway
- All components are zinc electroplated for corrosion protection



INDENTER COUPLINGS AND TOOLS - STEEL



Couplings



Replacement Points



Intender Tools Forged Steel

APPLICATIONS

- For use in dry locations to couple two ends of EMT conduit
- RACO® Intender couplings provide concrete-tight connections when taped

PRODUCT FEATURES

- All steel construction insures mechanical protection for the raceway
- All components are zinc electroplated for corrosion protection

CATALOG NUMBER	TRADE SIZE	UNIT CARTON QTY.	SHIP CARTON QTY.	UPC BAR CODE
Couplings – Steel				
1982	1/2"	50	500	—
1983	3/4"	25	250	—

CATALOG NUMBER	TRADE SIZE	DESCRIPTION	SHIP CARTON QTY.	UPC BAR CODE
Intender Tools Forged – Steel				
1962	1/2"	Tool	1	—
1961	For No. 1962	Replacement Point	10	—

SEE END OF SECTION (PG B92 & B93) FOR DETAILED DRAWINGS >>





SET SCREW CONNECTORS - DIE CAST



Insulated Connectors



Uninsulated Connectors

INSULATED CATALOG NUMBER	UNINSULATED CATALOG NUMBER	TRADE SIZE	UNIT CARTON QTY.	SHIP CARTON QTY.	UPC BAR CODE
Set Screw Connectors – Die Cast Zinc					
2634	2602	1/2"	50	500	—
2635	2603	3/4"	25	250	—
2636	2604	1"	50	200	—
2637	2605	1-1/4"	25	100	—
2638	2606	1-1/2"	10	40	—
2639	2608	2"	5	20	—
2648	2640	2-1/2"	—	12	—
2649	2642	3"	—	12	—
2650	—	3-1/2"	—	10	—
—	2644	3-1/2"	—	6	—
2651	2646	4"	—	6	—

APPLICATIONS

- For use in dry locations to bond EMT conduit to a box or enclosure
- RACO® Die cast set screw connectors provide concrete-tight connections when taped
- RACO® Set screw connectors are suitable for applications above 600V

PRODUCT FEATURES

- Rugged metallic construction insures mechanical protection for the raceway
- 2-1/2" to 4" trade sizes are UL Listed for use on Rigid/IMC conduit, allowing for installation flexibility

COMPLIANCE

- FILE E195970



SET SCREW COUPLINGS AND OFFSETS - DIE CAST



Couplings



Offset Connectors

COUPLINGS AND OFFSET CONNECTORS APPLICATIONS

- RACO® Die cast set screw couplings provide concrete-tight connections when taped
- RACO® set screw couplings are suitable for applications above 600V

COUPLINGS APPLICATION

- For use in dry locations to couple two ends of EMT conduit

OFFSETS CONNECTORS APPLICATION

- For use in dry locations to bond EMT conduit to a box or enclosure

COUPLINGS AND OFFSET CONNECTORS PRODUCT FEATURE

- Rugged metallic construction provides mechanical protection for the raceway

COUPLINGS PRODUCT FEATURE

- 2-1/2" to 4" trade sizes are UL listed for use on Rigid/IMC conduit, allowing for installation flexibility

COMPLIANCES

- FILE E195969
- - C22.2 # 18

CATALOG NUMBER	TRADE SIZE	UNIT CARTON QTY.	SHIP CARTON QTY.	UPC BAR CODE
Couplings – Die Cast Zinc				
2622	1/2"	50	500	—
2623	3/4"	25	250	—
2624	1"	50	200	—
2625	1-1/4"	25	100	—
2626	1-1/2"	10	40	—
2628	2"	5	20	—
2670	2-1/2"	—	12	—
2672	3"	—	12	—
2674	3-1/2"	—	6	—
2676	4"	—	6	—
Offset Connectors – Die Cast Zinc				
1762	1/2"	—	50	—
1763	3/4"	—	25	—

SEE END OF SECTION (PG B93) FOR DETAILED DRAWINGS >>





HANDY ELLS - DIE CAST



90 Degree Handy Ells Couplings



90 Degree Handy Ells Connectors

CATALOG NUMBER	TRADE SIZE	UNIT CARTON QTY.	SHIP CARTON QTY.	UPC BAR CODE
90 Degree Handy Ells – Die Cast Zinc Couplings				
2752	1/2"	10	100	—
2753	3/4"	5	50	—
2754	1"	—	25	—
90 Degree Handy Ells – Die Cast Zinc Connectors				
2762	1/2"	10	100	—
2763	3/4"	5	50	—

APPLICATIONS

- For use in dry locations to bond EMT conduit to a box or enclosure, or to couple two ends of EMT conduit
- Use handy ells when bending conduit is not practical

PRODUCT FEATURE

- Cover included

COMPLIANCE

- FILE E195969
- - C22.2 # 18



COMPRESSION COUPLINGS - DIE CAST



Couplings

APPLICATIONS

- For use to couple two ends of EMT conduit
- RACO® Compression couplings are suitable for applications above 600V
- RACO® 1/2" to 4" couplings provide concrete-tight connections

PRODUCT FEATURES

- Rugged metallic construction provides mechanical protection for the raceway
- Hex compression nuts assure easy wrench installation

COMPLIANCES

- FILE E195970
- - C22.2 # 18

CATALOG NUMBER	TRADE SIZE	UNIT CARTON QTY.	SHIP CARTON QTY.	UPC BAR CODE
Couplings – Die Cast Zinc				
2822	1/2"	50	500	—
2823	3/4"	25	250	—
2824	1"	50	200	—
2825	1-1/4"	25	100	—
2826	1-1/2"	10	40	—
2828	2"	5	20	—
2870	2-1/2"	—	12	—
2872	3"	—	12	—
2874	3-1/2"	—	10	—
2876	4"	—	6	—

SEE END OF SECTION (PG B94) FOR DETAILED DRAWINGS >>





COMPRESSION CONNECTORS - DIE CAST



Insulated Throat Connectors



Uninsulated Connectors

INSULATED CATALOG NUMBER	UNINSULATED CATALOG NUMBER	TRADE SIZE	UNIT CARTON QTY.	SHIP CARTON QTY.	UPC BAR CODE
Compression Connectors – Die Cast Zinc					
2832	2802	1/2"	50	500	—
2833	2803	3/4"	25	250	—
2834	2804	1"	50	200	—
2835	2805	1-1/4"	25	100	—
2836	2806	1-1/2"	10	40	—
2838	2808	2"	5	20	—
2890	2840	2-1/2"	—	12	—
2892	2842	3"	—	12	—
2894	2844	3-1/2"	—	10	—
2896	2846	4"	—	6	—

APPLICATIONS

- For use to bond EMT conduit to a box
- RACO® 1/2" to 4" connectors provide concrete-tight connections
- RACO® Compression connectors are suitable for applications above 600V

PRODUCT FEATURES

- Rugged metallic construction provides mechanical protection for the raceway
- Oversized hex compression nuts assure easy wrench installation

COMPLIANCES

- FILE E195970
- - C22.2 # 18

SEE END OF SECTION (PG B94) FOR DETAILED DRAWINGS >>





COMPRESSION OFFSET CONNECTORS - DIE CAST



Offset Connectors

PRODUCT APPLICATIONS

- For use to bond EMT conduit to a box
- RACO® Compression offset connectors are suitable for applications above 600V

PRODUCT FEATURES

- Rugged metallic construction provides mechanical protection for the raceway
- Hex compression nuts assure easy wrench installation

COMPLIANCES

- FILE E195970
- - C22.2 # 18

CATALOG NUMBER	TRADE SIZE	UNIT CARTON QTY.	SHIP CARTON QTY.	UPC BAR CODE
Offset Connectors – Die Cast Zinc				
1952	1/2"	—	50	—
1953	3/4"	—	25	—

SEE END OF SECTION (PG B94) FOR DETAILED DRAWINGS >>





90° SHORT ANGLE CONNECTORS - MALLEABLE IRON



90° Short Angle Connectors

CATALOG NUMBER	TRADE SIZE	UNIT CARTON QTY.	SHIP CARTON QTY.	UPC BAR CODE
90° Short Angle Connectors – Malleable Iron				
2072	1/2"	25	100	—
2073	3/4"	—	25	—

APPLICATIONS

- To bond EMT conduit to a box or enclosure
- Use RACO® 90 degree short angle connectors when bending conduit is not practical

PRODUCT FEATURES

- Malleable construction insures mechanical protection for the raceway
- Hex compression nuts assure easy wrench installation
- All components are zinc electro plated for corrosion protection

COMPLIANCES

-  - Standard 514B



EMT TWO-PIECE CONNECTORS AND COUPLINGS



TWO PIECE CONNECTORS AND COMBINATION COUPLINGS - DIE CAST/STEEL



Two-Piece Connectors



EMT to Rigid Couplings
Threaded/Compression

DIE CAST TWO-PIECE CONNECTORS APPLICATIONS

- For use in dry locations to bond EMT conduit to a box or enclosure
- RACO® 1/2" and 3/4" two-piece connectors provide concrete-tight connections

DIE CAST TWO-PIECE CONNECTORS PRODUCT FEATURE

- Rugged metallic construction provides mechanical protection for the raceway

COMPLIANCE

- - Standard 514B

STEEL COMBINATION COUPLINGS APPLICATION

- Use RACO Cat. Nos. 1352 - 1354 when coupling threaded rigid/IMC conduit to EMT

STEEL COMBINATION COUPLINGS PRODUCT FEATURES

- Rugged metallic construction provides mechanical protection for the raceway
- All steel components are zinc electro plated for corrosion protection

COMPLIANCE

- - Standard 514B

CATALOG NUMBER	TRADE SIZE	UNIT CARTON QTY.	SHIP CARTON QTY.	UPC BAR CODE
Two-Piece Connectors – Die Cast Zinc				
2702	1/2"	—	100	—
2703	3/4"	—	50	—
EMT - Rigid Couplings Threaded/Compression – Steel				
1352	1/2"	—	25	—
1353	3/4"	—	25	—
1354	1"	—	25	—

SEE END OF SECTION (PG B95) FOR DETAILED DRAWINGS >>





COMBINATION COUPLINGS - STEEL



EMT to Rigid Couplings Set Screw

CATALOG NUMBER	TRADE SIZE	UNIT CARTON QTY.	SHIP CARTON QTY.	UPC BAR CODE
EMT - Rigid Couplings Set Screw – Steel				
1432	1/2"	—	25	—
1433	3/4"	—	25	—
1434	1"	—	25	—

APPLICATIONS

- Use RACO® Catalog numbers 1432 - 1434 when coupling unthreaded Rigid/IMC to EMT conduit

PRODUCT FEATURES

- Rugged metallic construction provides mechanical protection
- All components are zinc electro plated for corrosion protection
- UPC bar coded fittings are individually polybagged with a preprinted UPC-A bar code and packaged in pre-scored tear top cartons for an attractive presentation



COMBINATION COUPLINGS - MALLEABLE IRON/DIE CAST



EMT - Flex Couplings
Squeeze/Compression



EMT - Flex Couplings
Screw-in/Compression

APPLICATION

- Use RACO® Catalog numbers 1941 - 1943 or 1482 - 1484 when coupling flexible metal conduit to EMT

PRODUCT FEATURES

- Rugged metallic construction insures mechanical protection
- All steel/malleable components are zinc electro plated for corrosion protection
- UPC bar coded fittings are individually polybagged with a preprinted UPC-A bar code and packaged in pre-scored tear top cartons for an attractive presentation

COMPLIANCE

- FILE E195969

CATALOG NUMBER	FLEX SIZE	EMT SIZE	UNIT CARTON QTY.	SHIP CARTON QTY.	UPC BAR CODE
EMT - Flex Couplings Squeeze/Compression – Malleable Iron					
1941*	3/8"	1/2"	—	25	—
1942	1/2"	1/2"	—	25	—
1942-8	1/2"	1/2"	1	25	
1943	3/4"	3/4"	—	25	—
1943-8	3/4"	3/4"	1	20	
EMT - Flex Couplings Screw-in/Compression – Die Cast Zinc					
1482	1/2"	1/2"	50	500	—
1483	3/4"	3/4"	25	250	—
1484	1"	1"	25	250	—

*Not UL Listed

SEE END OF SECTION (PG B95) FOR DETAILED DRAWINGS >>





CLAMP BACKS - MALLEABLE IRON



Clamp Backs

CATALOG NUMBER	RIGID/IMC SIZE	EMT SIZE	UNIT CARTON QTY.	SHIP CARTON QTY.	UPC BAR CODE
Clampbacks – Malleable Iron					
1342	1/2"	3/4"	—	100	—
1343	3/4"	1"	—	100	—
1344	1"	1-1/4"	—	50	—
1345	1-1/4"	1-1/2"	—	25	—
1346	1-1/2"	2"	—	25	—
1348	2"	2"	—	10	—
1347	2-1/2"	2-1/2"	—	10	—
1349	3"	3"	—	10	—
1350	3-1/2"	3-1/2"	—	5	—
1351	4"	4"	—	5	—

APPLICATIONS

- For use with RACO® 1300 Series EMT and Rigid/IMC straps to permit space between the conduit and the mounting surface
- Use of clampbacks in outdoor locations can prevent the build-up of snow and rain between the conduit and the mounting surface

PRODUCT FEATURES

- All malleable construction insures durability and mechanical protection
- Zinc electro plated for added corrosion protection
- Elongated bolt holes make alignment with straps easy
- For use in mounting EMT conduit in wet or dry locations

COMPLIANCE

-  FILE E195968



STRAPS - STEEL



One Hole Push-on Straps



Two Hole Straps

APPLICATION

- For use in mounting EMT conduit

PRODUCT FEATURES

- All stamped steel construction insures mechanical protection
- RACO® steel one hole straps snap on to the conduit, allowing the installer to easily position the strap before mounting
- Oversized bolt holes make alignment of the fastener quick and easy
- All straps are zinc electro plated for corrosion protection

COMPLIANCE

- - Listed
E195968 (2082 - 2088)

CATALOG NUMBER	TRADE SIZE	UNIT CARTON QTY.	SHIP CARTON QTY.	UPC BAR CODE
One Hole Push-on Straps Stamped – Steel (cULus)				
2082	1/2"	100	1000	—
2083	3/4"	50	500	—
2084	1"	50	500	—
2085	1-1/4"	—	50	—
2086	1-1/2"	—	50	—
2088	2"	—	25	—
1337	2-1/2"	—	25	—
1339	3"	—	25	—
1340	3-1/2"	—	10	—
1341	4"	—	10	—
Two Hole Straps Stamped – Steel				
2092	1/2"	—	100	—
2093	3/4"	—	100	—
2094	1"	—	100	—
2095	1-1/4"	—	50	—
2096	1-1/2"	—	50	—
2098	2"	—	25	—
2239	2-1/2"	—	25	—
2240	3"	—	25	—
2241	3-1/2"	—	25	—
2242	4"	—	10	—

SEE END OF SECTION (PG B96) FOR DETAILED DRAWINGS >>





STRAPS - MALLEABLE AND STEEL



One Hole Straps



Nail-up Straps

CATALOG NUMBER	TRADE SIZE	UNIT CARTON QTY.	SHIP CARTON QTY.	UPC BAR CODE
One Hole Straps – Malleable Iron				
1310	2-1/2"	—	10	—
1312	3"	—	10	—
1314	3-1/2"	—	5	—
1316	4"	—	5	—
Nail-up Straps Stamped – Steel				
2252	1/2"	100	1000	—
2253	3/4"	100	1000	—
2254	1"	100	1000	—

MALLEABLE-STRAPS APPLICATION

- For use in mounting EMT conduit in wet or dry locations

STEEL-STRAPS APPLICATION

- For use in mounting EMT conduit

MALLEABLE - STRAPS PRODUCT FEATURES

- All malleable construction insures mechanical protection
- Oversized bolt holes make alignment of the fastener quick and easy
- All straps are zinc electro plated for corrosion protection

STEEL - STRAPS PRODUCT FEATURE

- Stamped steel straps are pregalvanized for added corrosion protection

STEEL - STRAPS COMPLIANCE

- - LISTED E195968, E195973
- _{us} - (2252-2253)



SET SCREW CONNECTORS - STEEL



Insulated Connectors



Uninsulated Connectors

APPLICATIONS

- For use in dry locations to bond unthreaded rigid/IMC conduit to a box or enclosure
- RACO® Steel set screw connectors are suitable for concrete-tight applications when taped

PRODUCT FEATURES

- All steel construction insures mechanical protection for the raceway
- 2-1/2" to 4" trade sizes are also UL listed for use on EMT conduit, allowing for design and installation flexibility
- All components are zinc electroplated for corrosion protection

COMPLIANCE

- - Standard 514B
U L LISTED E195969

INSULATED CATALOG NUMBER	UNINSULATED CATALOG NUMBER	TRADE SIZE	UNIT CARTON QTY.	SHIP CARTON QTY.	UPC BAR CODE
Set Screw Connectors – Steel					
—	3002	1/2"	—	25	—
—	3003	3/4"	—	25	—
—	3004	1"	—	10	—
—	3005	1-1/4"	—	5	—
—	3006	1-1/2"	—	5	—
—	3008	2"	—	5	—
*2160	*2140	2-1/2"	—	5	—
*2162RAC	*2142	3"	—	1	—
*2164	*2144	3-1/2"	—	1	—
*2166	*2146	4"	—	1	—

**Add suffix US when ordering for US Made product*





SET SCREW COUPLINGS - STEEL



Couplings

CATALOG NUMBER	TRADE SIZE	UNIT CARTON QTY.	SHIP CARTON QTY.	UPC BAR CODE
Couplings – Steel				
3022	1/2"	—	25	—
3023	3/4"	—	10	—
3024	1"	—	5	—
3025	1-1/4"	—	5	—
3026	1-1/2"	—	5	—
3028	2"	—	5	—
*2150	2-1/2"	—	5	—
*2152	3"	—	1	—
*2154	3-1/2"	—	1	—
*2156	4"	—	1	—

*Add suffix US when ordering for US made product

APPLICATIONS

- For use in dry locations to couple two ends of unthreaded rigid/IMC conduit
- RACO® Steel set screw couplings are suitable for concrete-tight applications when taped

PRODUCT FEATURES

- All steel construction insures mechanical protection for the raceway
- 2-1/2" to 4" trade sizes are also UL listed for use on EMT conduit, allowing for design and installation flexibility
- All components are zinc electroplated for corrosion protection

COMPLIANCE

-  - Standard 514B
U L LISTED E195969



COMPRESSION CONNECTORS - STEEL/MALLEABLE IRON



Insulated Connectors



Uninsulated Connectors

APPLICATIONS

- For use to bond unthreaded rigid/IMC conduit to a box or enclosure
- RACO® 1/2" to 4" connectors and couplings provide concrete-tight connections

PRODUCT FEATURES

- All steel/malleable iron construction insures mechanical protection for the raceway
- Hex compression nuts assure easy wrench installation
- All components are zinc electro plated for corrosion protection

COMPLIANCES

- - Standard 514B
U L FILE E195969
- - C22.2 #18

INSULATED CATALOG NUMBER	UNINSULATED CATALOG NUMBER	TRADE SIZE	UNIT CARTON QTY.	SHIP CARTON QTY.	UPC BAR CODE
Compression Connectors – Steel/Malleable Iron					
3802RAC	1802	1/2"	—	25	—
3803RAC	1803	3/4"	—	25	—
3804RAC	1804	1"	—	10	—
3805RAC	1805	1-1/4"	—	5	—
3806RAC	1806	1-1/2"	—	5	—
3808RAC	1808	2"	—	5	—
—	1810	2-1/2"	—	5	—
—	1812	3"	—	1	—
—	1814	3-1/2"	—	1	—
—	1816	4"	—	1	—

SEE END OF SECTION (PG B98) FOR DETAILED DRAWINGS >>





COMPRESSION COUPLINGS - STEEL/MALLEABLE IRON



Couplings

CATALOG NUMBER	TRADE SIZE	UNIT CARTON QTY.	SHIP CARTON QTY.	UPC BAR CODE
Couplings – Steel/Malleable Iron				
1822	1/2"	—	25	—
1823	3/4"	—	10	—
1824	1"	—	5	—
1825	1-1/4"	—	5	—
1826	1-1/2"	—	5	—
1828	2"	—	5	—
1830	2-1/2"	—	5	—
1832	3"	—	1	—
1834	3-1/2"	—	1	—
1836	4"	—	1	—

APPLICATIONS

- For use to couple two ends of unthreaded rigid/IMC conduit
- RACO® 1/2" to 4" couplings provide concrete-tight connections

PRODUCT FEATURES

- All steel/malleable iron construction insures mechanical protection for the raceway
- Hex compression nuts assure easy wrench installation
- All components are zinc electro plated for corrosion protection

COMPLIANCE

- - Standard 514B
U L FILE E195969
- - C22.2 #18



SHORT ELBOWS - MALLEABLE IRON



90 Degree Short Elbows

APPLICATION

- For use with threaded rigid/IMC conduit
- 90 degree short elbows are ideal for use in tight locations where bending of conduit is not practical

PRODUCT FEATURES

- All malleable iron construction insures mechanical protection for the raceway
- All components are zinc electro plated for corrosion protection

COMPLIANCES

- - Standard 514B

CATALOG NUMBER	TRADE SIZE	UNIT CARTON QTY.	SHIP CARTON QTY.	UPC BAR CODE
90 Degree Short Elbows – Malleable Iron				
1722	1/2"	—	50	—
1723	3/4"	—	25	—

SEE END OF SECTION (PG B98) FOR DETAILED DRAWINGS >>





HANDY ELLS - DIE CAST



90 Degree Handy Ells
Threaded Connectors



90 Degree Handy Ells
Threaded Couplings

CATALOG NUMBER	TRADE SIZE	UNIT CARTON QTY.	SHIP CARTON QTY.	UPC BAR CODE
90 Degree Handy-Ells Threaded Connectors – Die Cast Zinc				
2662	1/2"	10	100	—
2663	3/4"	5	50	—
2664RAC	1"	—	25	—
90 Degree Handy-Ells Threaded Couplings – Die Cast Zinc				
2652	1/2"	10	100	—
2653	3/4"	5	50	—
2654	1"	—	25	—
2655	1-1/4"	—	20	—

APPLICATIONS

- For use with threaded rigid/IMC conduit to bond conduit to a box or enclosure, or to couple two ends of rigid/IMC conduit
- Use handy ells when bending conduit is not practical

PRODUCT FEATURES

- Gasket and cover included

COMPLIANCE

- - Standard 514B
U L LISTED E195969
- - C22.2 #18



THREE-PIECE COUPLINGS - MALLEABLE IRON



Three-piece Couplings

APPLICATIONS

- For use with threaded rigid/IMC conduit
- Use couplings to couple conduit ends when the conduit cannot be turned
- RACO® Three-piece couplings provide concrete-tight connections

PRODUCT FEATURES

- Malleable iron construction insures mechanical protection for the raceway
- All components are zinc electro plated for corrosion protection

COMPLIANCE

- us
UL LISTED E195969

CATALOG NUMBER	TRADE SIZE	UNIT CARTON QTY.	SHIP CARTON QTY.	UPC BAR CODE
Three-Piece Couplings – Malleable Iron				
1502	1/2"	—	25	—
1503	3/4"	—	25	—
1504	1"	—	5	—
1505	1-1/4"	—	5	—
1506	1-1/2"	—	5	—
1508	2"	—	5	—
1510	2-1/2"	—	4	—
1512	3"	—	4	—
1514	3-1/2"	—	2	—
1516	4"	—	2	—
Three-Piece Couplings – Steel				
1520	5"	—	1	—
1524	6"	—	1	—

SEE END OF SECTION (PG B99) FOR DETAILED DRAWINGS >>





RIGID COMBINATION COUPLINGS

COMBINATION COUPLINGS - STEEL



Rigid to EMT Couplings
Threaded/Compression



Rigid to EMT Couplings
Set Screw

CATALOG NUMBER	TRADE SIZE	UNIT CARTON QTY.	SHIP CARTON QTY.	UPC BAR CODE
Rigid-EMT Couplings Threaded/Compression – Steel				
1352	1/2"	—	25	—
1353	3/4"	—	25	—
1354	1"	—	25	—
Rigid-EMT Couplings Set Screw – Steel				
1432	1/2"	—	25	—
1433	3/4"	—	25	—
1434	1"	—	25	—

APPLICATIONS

- For use when coupling rigid/IMC to EMT
- Use RACO® Cat. Nos. 1352 - 1354 when coupling threaded rigid/IMC conduit to EMT
- Use RACO® Cat. Nos. 1432 - 1434 when coupling unthreaded rigid/IMC conduit to EMT

PRODUCT FEATURES

- All steel construction insures mechanical protection
- All components are zinc electro plated for corrosion protection
- UPC bar code fittings are individually polybagged with a preprinted UPC-A bar code and packaged in pre-scored tear top cartons for an attractive presentation

COMPLIANCE

- - Standard 514B (1432 - 1434 only)
U L FILE E195969



COMBINATION COUPLINGS - MALLEABLE IRON



Rigid to Flex Couplings Threaded/Squeeze

APPLICATION

- Use RACO® Cat. Nos. 1552 - 1554 when coupling flexible metal conduit to threaded rigid/IMC

PRODUCT FEATURES

- All malleable iron construction insures mechanical protection for the raceway
- All components are zinc electro plated for corrosion protection

COMPLIANCE

-

CATALOG NUMBER	TRADE SIZE	UNIT CARTON QTY.	SHIP CARTON QTY.	UPC BAR CODE
Rigid - Flex Couplings – Malleable Iron Squeeze/Threaded				
1552	1/2"	—	100	—
1553	3/4"	—	25	—
1554	1"	—	25	—

SEE END OF SECTION (PG B100) FOR DETAILED DRAWINGS >>





THREADED HUBS - DIE CAST



Threaded Hubs Insulated

CATALOG NUMBER	TRADE SIZE	UNIT CARTON QTY.	SHIP CARTON QTY.	UPC BAR CODE
Threaded Hubs Insulated Throat – Die Cast Zinc				
1702	1/2"	—	25	—
1703	3/4"	—	25	—
1704	1"	—	25	—
1705	1-1/4"	—	10	—
1706	1-1/2"	—	10	—
1708	2"	—	10	—
1710	2-1/2"	—	5	—
1712	3"	—	2	—
1714	3-1/2"	—	2	—
1716	4"	—	2	—

APPLICATIONS

- For use with threaded rigid/IMC conduit to connect and bond conduit to a threadless opening in a box or enclosure
- May be used in wet or dry locations

PRODUCT FEATURES

- Rugged metallic construction insures mechanical protection
- Insulated throat protects wires and reduces wire pulling effort
- O-ring seals the assembly and provides a raintight seal

COMPLIANCE

- - Standard 514B
UL LISTED E195969
- - C22.2 #18



REDUCING BUSHINGS - STEEL



Reducing Bushings

APPLICATION

- For use with threaded rigid/IMC conduit to reduce the size of a female hub to accommodate a smaller size of conduit or male threaded hub

PRODUCT FEATURES

- Rugged steel construction insures mechanical protection of the raceway
- Zinc electro plated for corrosion protection

COMPLIANCE

- cUL_{us}
UL LISTED E195969

CATALOG NUMBER	TRADE SIZE	UNIT CARTON QTY.	SHIP CARTON QTY.	UPC BAR CODE
Reducing Bushings – Steel				
1141	1/2" - 3/8"	—	100	—
1142	3/4" - 1/2"	—	100	—
1143	1" - 1/2"	—	50	—
1144	1" - 3/4"	—	50	—
1145	1-1/4" - 1/2"	—	50	—
1146	1-1/4" - 3/4"	—	50	—
1147	1-1/4" - 1"	—	50	—
1148	1-1/2" - 1/2"	—	50	—
1149	1-1/2" - 3/4"	—	50	—
1150	1-1/2" - 1"	—	50	—
1151	1-1/2" - 1-1/4"	—	50	—
1152	2" - 1/2"	—	25	—
1153	2" - 3/4"	—	25	—
1154	2" - 1"	—	25	—
1155	2" - 1-1/4"	—	25	—
1156	2" - 1-1/2"	—	25	—

SEE END OF SECTION (PG B101) FOR DETAILED DRAWINGS >>





REDUCING BUSHINGS - IRON



Reducing Bushings

CATALOG NUMBER	TRADE SIZE	UNIT CARTON QTY.	SHIP CARTON QTY.	UPC BAR CODE
Reducing Bushings – Iron				
1160	2-1/2" - 1-1/4"	—	10	—
1161	2-1/2" - 1-1/2"	—	10	—
1162	2-1/2" - 2"	—	10	—
1168	3" - 2"	—	10	—
1169	3" - 2-1/2"	—	5	—
1175	3"-1/2" - 2"	—	5	—
1176	3"-1/2" - 2-1/2"	—	5	—
1177	3"-1/2" - 3"	—	5	—
1185	4" - 3"	—	5	—
1186	4" - 3-1/2"	—	5	—

APPLICATION

- For use with threaded rigid/IMC conduit to reduce the size of a female hub to accommodate a smaller size of conduit or male threaded hub

PRODUCT FEATURES

- Rugged iron construction insures mechanical protection of the raceway
- Zinc electro plated for corrosion protection

COMPLIANCE

- c  us
UL LISTED E195969



LOCKNUTS - STEEL



Locknuts
(1001)



Locknuts
(1002 - 1220)

APPLICATION

- For use in dry locations on threaded rigid/IMC conduit to secure conduit to a box or enclosure

PRODUCT FEATURES

- All steel construction insures mechanical protection
- Zinc electro plated for corrosion protection

COMPLIANCES (EXCLUDES NON-UL)

- - Standard 514B
U L LISTED E195969
- - C22.2 #18

CATALOG NUMBER	TRADE SIZE	UNIT CARTON QTY.	SHIP CARTON QTY.	UPC BAR CODE
Locknuts – Steel				
1001	3/8"	100	1000	—
1002	1/2"	100	1000	—
1003	3/4"	100	1000	—
1004	1"	—	100	—
1005	1-1/4"	—	50	—
1006	1-1/2"	—	50	—
1008	2"	—	50	—
1010	2-1/2"	—	30	—
1012	3"	—	25	—
1014	3-1/2"	—	15	—
1016	4"	—	10	—
1020	5"	—	8	—
1024	6"	—	8	—
Non-UL Locknuts – Steel				
1192	1/2"	100	1000	—
1193	3/4"	100	1000	—
1194	1"	—	100	—
1195	1-1/4"	—	50	—
1196	1-1/2"	—	50	—
1198	2"	—	50	—
1197	2-1/2"	—	30	—
1199	3"	—	25	—
1200	3-1/2"	—	15	—
1201	4"	—	10	—
1219	5"	—	8	—
1220	6"	—	8	—

SEE END OF SECTION (PG B102) FOR DETAILED DRAWINGS >>





BONDING LOCKNUTS - STEEL



Bonding Locknuts

CATALOG NUMBER	TRADE SIZE	UNIT CARTON QTY.	SHIP CARTON QTY.	UPC BAR CODE
Bonding Locknuts – Steel				
1242	1/2"	—	50	—
1243	3/4"	—	50	—
1244	1"	—	25	—
1245	1-1/4"	—	25	—
1246	1-1/2"	—	25	—
1248	2"	—	20	—
1250	2-1/2"	—	10	—
1252	3"	—	10	—
1254	3-1/2"	—	5	—
1256	4"	—	5	—

APPLICATION

- For use on threaded rigid/IMC conduit
- Use bonding locknuts when additional locking and grounding connections are required in applications where severe vibration is encountered

PRODUCT FEATURES

- All steel construction insures mechanical protection
- Zinc electro plated for corrosion protection

COMPLIANCES

- - Standard 514B
UL LISTED E195975
- - C22.2 #18



SEALING LOCKNUTS - STEEL



Sealing Locknuts

APPLICATION

- For use on threaded rigid/IMC conduit to provide a liquidtight seal against water and oil
- RACO® sealing locknuts may be used with either sheet metal or cast enclosures

PRODUCT FEATURES

- Fused-in-place gasket guarantees a liquidtight seal
- Use RACO sealing locknut as an economical alternative to a threaded enclosure connector
- All steel construction insures mechanical protection
- Zinc electro plated for corrosion protection

COMPLIANCES

- - Standard 514B (1202 - 1210)
U L FILE E195969
- - C22.2 #18 (1202 - 1211)

CATALOG NUMBER	TRADE SIZE	UNIT CARTON QTY.	SHIP CARTON QTY.	UPC BAR CODE
Sealing Locknuts – Steel				
1202	1/2"	—	100	—
1203	3/4"	—	100	—
1204	1"	—	50	—
1205	1-1/4"	—	50	—
1206	1-1/2"	—	25	—
1208	2"	—	25	—
1207	2-1/2"	—	30	—
1209	3"	—	25	—
1210	3-1/2"	—	15	—
1211	4"	—	10	—

SEE END OF SECTION (PG B103) FOR DETAILED DRAWINGS >>





INSULATING BUSHINGS - POLYPROPYLENE



Insulating Bushings

CATALOG NUMBER	TRADE SIZE	UNIT CARTON QTY.	SHIP CARTON QTY.	UPC BAR CODE
Insulating Bushings – Polypropylene				
1402	1/2"	100	400	—
1403	3/4"	100	400	—
1404	1"	50	200	—
1405	1-1/4"	—	25	—
1406	1-1/2"	—	25	—
1408	2"	—	25	—
1410	2-1/2"	—	10	—
1412	3"	—	10	—
1414	3-1/2"	—	5	—
1416	4"	—	5	—
1420	5"	—	5	—
1424	6"	—	5	—

APPLICATION

- For use on threaded rigid/IMC conduit
- RACO® Bushings provide a smooth rounded surface at the entrance of raceways

PRODUCT FEATURE

- Insulating bushings are made of high impact polypropylene that is temperature rated at 105° C

COMPLIANCES

-  - Standard 514B
UL FILE 195973



BUSHINGS - MALLEABLE IRON



Bushings

APPLICATION

- For use on threaded rigid/IMC conduit
- RACO® Bushings provide a smooth rounded surface at the entrance of raceways

PRODUCT FEATURES

- Malleable iron construction insures mechanical protection
- Zinc electro plated for corrosion protection

COMPLIANCES

- - Standard 514B
U L LISTED E195969
- - C22.2 #18

CATALOG NUMBER	TRADE SIZE	UNIT CARTON QTY.	SHIP CARTON QTY.	UPC BAR CODE
Bushings – Malleable Iron				
1102RAC	1/2"	—	100	—
1103	3/4"	—	100	—
1104	1"	—	50	—
1105	1-1/4"	—	50	—
1106	1-1/2"	—	50	—
1108	2"	—	50	—
1110	2-1/2"	—	30	—
1112	3"	—	10	—
1114	3-1/2"	—	10	—
1116	4"	—	10	—

SEE END OF SECTION (PG B104) FOR DETAILED DRAWINGS >>





INSULATED BUSHINGS - MALLEABLE IRON



Insulated Bushings

CATALOG NUMBER	TRADE SIZE	UNIT CARTON QTY.	SHIP CARTON QTY.	UPC BAR CODE
Insulated Bushings – Malleable Iron				
1132*	1/2"	—	100	—
1133*	3/4"	—	50	—
1134*	1"	—	25	—
1135	1-1/4"	—	25	—
1136	1-1/2"	—	25	—
1138	2"	—	10	—
1126	2-1/2"	—	10	—
1127	3"	—	5	—
1128	3-1/2"	—	5	—
1129	4"	—	5	—

APPLICATION

- For use on threaded rigid/IMC conduit to provide a smooth rounded surface at the entrance of raceways

PRODUCT FEATURES

- Insuliner temperature rated at 150° C
- Malleable iron construction insures mechanical protection for the raceway
- Zinc electro plated for corrosion protection
- 1/2" to 1" trade sizes are also available in die cast zinc

COMPLIANCES

- - Standard 514B
U L LISTED E195969
- - C22.2 #18

*Available in Die Cast Zinc. Add suffix DC when ordering.



150° INSULATED GROUNDING BUSHINGS - MALLEABLE IRON



Insulated Grounding Bushings
Lay-in Lug



Insulated Grounding Bushings
Feed-thru Lug

APPLICATION

- For use on threaded rigid/IMC conduit to provide a means of grounding conduit through an insulated bushing

PRODUCT FEATURES

- Lay-in and Feed-thru lug styles provide an easy means of inserting a ground wire
- Dual rated aluminum grounding lugs may be used with copper or aluminum grounding conductors
- Insuliner temperature rated at 150° C
- Malleable iron construction insures mechanical protection for the raceway
- Zinc electro plated for corrosion protection

COMPLIANCES

- - Standard 514B
- - C22.2 #18

CATALOG NUMBER	TRADE SIZE	UNIT CARTON QTY.	SHIP CARTON QTY.	GROUNDING WIRE CAPACITY		UPC BAR CODE
				MIN.	MAX.	
150° Insulated Grounding Bushings - Lay-in Lug – Malleable Iron						
1212	1/2"	—	100	#14 Sol.	#4 Str.	—
1213	3/4"	—	100	#14 Sol.	#4 Str.	—
1214	1"	—	50	#14 Sol.	#4 Str.	—
1215	1-1/4"	—	25	#14 Sol.	#4 Str.	—
1216	1-1/2"	—	25	#14 Sol.	#4 Str.	—
1218	2"	—	10	#14 Sol.	#4 Str.	—
1290	2-1/2"	—	10	#14 Sol.	#1/0 Str.	—
1292RAC	3"	—	5	#14 Sol.	#1/0 Str.	—
1294	3-1/2"	—	5	#6 Str.	#250 MCM	—
1296	4"	—	5	#6 Str.	#250 MCM	—
150° Insulated Grounding Bushings - Lay-in Lug – Die Cast Zinc						
1262DC	1/2"	—	100	#14 Sol.	#4 Str.	—
1263DC	3/4"	—	100	#14 Sol.	#4 Str.	—
1264DC	1"	—	50	#14 Sol.	#4 Str.	—
150° Insulated Grounding Bushings - Feed-thru Lug – Malleable Iron						
1222	1/2"	—	100	#14 Sol.	#4 Str.	—
1223	3/4"	—	100	#14 Sol.	#4 Str.	—
1224	1"	—	50	#14 Sol.	#4 Str.	—
1225	1-1/4"	—	25	#14 Sol.	#4 Str.	—
1226	1-1/2"	—	25	#14 Sol.	#4 Str.	—
1228	2"	—	10	#14 Sol.	#4 Str.	—
1230	2-1/2"	—	10	#14 Sol.	#1/0 Str.	—
1232RAC	3"	—	5	#14 Sol.	#1/0 Str.	—
1234	3-1/2"	—	5	#6 Str.	#250 MCM	—
1236	4"	—	5	#6 Str.	#250 MCM	—

SEE END OF SECTION (PG B105) FOR DETAILED DRAWINGS >>





STRAPS - STEEL



One Hole Push-on Straps

CATALOG NUMBER	TRADE SIZE	UNIT CARTON QTY.	SHIP CARTON QTY.	UPC BAR CODE
One Hole Push-on Straps – Stamped Steel				
1332	1/2"	100	500	—
1333	3/4"	100	500	—
1334	1"	50	250	—
1335	1-1/4"	—	25	—
1336	1-1/2"	—	25	—
1338	2"	—	25	—
1337	2-1/2"	—	25	—
1339	3"	—	25	—
1340	3-1/2"	—	10	—
1341	4"	—	10	—

APPLICATION

- For use in mounting rigid/IMC conduit in wet or dry locations
- RACO® Rigid/IMC conduit straps are suitable for use on liquidtight flexible metal conduit and liquidtight flexible nonmetallic conduit (type B)

PRODUCT FEATURES

- All stamped steel construction insures mechanical protection
- RACO® steel one-hole straps snap on to conduit, allowing the installer to easily position the strap before mounting
- All straps are zinc electro plated for corrosion protection

SEE END OF SECTION (PG B106) FOR DETAILED DRAWINGS >>





STRAPS - STEEL



Two Hole Straps

APPLICATION

- For use in mounting rigid/IMC conduit in wet or dry locations
- RACO® Rigid/IMC conduit straps are suitable for use on liquidtight flexible metal conduit and liquidtight flexible nonmetallic conduit (type B)

PRODUCT FEATURES

- All stamped steel construction insures mechanical protection
- All straps are zinc electro plated for corrosion protection

CATALOG NUMBER	TRADE SIZE	UNIT CARTON QTY.	SHIP CARTON QTY.	UPC BAR CODE
Two Hole Straps – Stamped Steel				
2232	1/2"	—	100	—
2233	3/4"	—	100	—
2234	1"	—	100	—
2235	1-1/4"	—	100	—
2236	1-1/2"	—	50	—
2238	2"	—	25	—
2239	2-1/2"	—	25	—
2240	3"	—	25	—
2241	3-1/2"	—	25	—
2242	4"	—	10	—
2245-2	5"	—	5	—
2246-2	6"	—	5	—

SEE END OF SECTION (PG B106) FOR DETAILED DRAWINGS >>





TWO HOLE STRAPS - MALLEABLE IRON



One Hole Straps

CATALOG NUMBER	TRADE SIZE	UNIT CARTON QTY.	SHIP CARTON QTY.	UPC BAR CODE
One Hole Straps – Malleable Iron				
1301	3/8"	—	100	—
1302	1/2"	—	100	—
1303	3/4"	—	100	—
1304	1"	—	50	—
1305	1-1/4"	—	25	—
1306	1-1/2"	—	25	—
1308	2"	—	25	—
1310	2-1/2"	—	10	—
1312	3"	—	10	—
1314	3-1/2"	—	5	—
1316	4"	—	5	—

APPLICATION

- For use in mounting rigid/IMC conduit in wet or dry locations
- RACO® Rigid/IMC conduit straps are suitable for use on liquidtight flexible metal conduit and liquidtight flexible nonmetallic conduit (type B)

PRODUCT FEATURES

- All malleable construction insures mechanical protection
- All straps are zinc electro plated for corrosion protection



CLAMP BACKS - MALLEABLE IRON



Clamp Backs

APPLICATION

- For use with RACO® 1300 Series straps to permit space between the conduit and the mounting surface
- Use of clamp backs in outdoor locations can prevent the buildup of snow and rain between the conduit and the mounting surface

PRODUCT FEATURES

- All malleable construction insures durability and mechanical protection
- Elongated bolt holes make alignment with straps easy

COMPLIANCE

- UL LISTED E195968

CATALOG NUMBER	TRADE SIZE		UNIT CARTON QTY.	SHIP CARTON QTY.	UPC BAR CODE
	RIGID SIZE	EMT SIZE			
Clamp Backs – Malleable Iron					
1342	1/2"	3/4"	—	100	—
1343	3/4"	1"	—	100	—
1344	1"	1-1/4"	—	50	—
1345	1-1/4"	1-1/2"	—	25	—
1346	1-1/2"	2"	—	25	—
1348	2"	2"	—	10	—
1347	2-1/2"	2-1/2"	—	10	—
1349	3"	3"	—	10	—
1350	3-1/2"	3-1/2"	—	5	—
1351	4"	4"	—	5	—

SEE END OF SECTION (PG B107) FOR DETAILED DRAWINGS >>





LIQUIDTIGHT CONDUIT AND CORD CONNECTORS

STRAIGHT CONNECTORS



Insulated
Steel/Malleable Iron



Uninsulated
Steel/Malleable Iron

INSULATED CATALOG NUMBER	UNINSULATED CATALOG NUMBER	TRADE SIZE	UNIT CARTON QTY.	SHIP CARTON QTY.	UPC BAR CODE
Straight - Insulated and Uninsulated – Steel/Malleable Iron					
3511RAC*	—	3/8"	25	100	—
—	3401	3/8"	50	200	—
—	3401-8	3/8"	1	15	
3512RAC	3402	1/2"	50	200	—
3512-8	3402-8	1/2"	1	15	
3513RAC	3403	3/4"	25	100	—
3513-8	3403-8	3/4"	1	10	
3514RAC	3404	1"	—	10	—
3514-8	3404-8	1"	1	5	
3515RAC	3405	1-1/4"	—	10	—
3516	3406	1-1/2"	—	5	—
3518	3408	2"	—	5	—
3520	3410	2-1/2"	—	1	—
3522	3412	3"	—	1	—
3524	3414	3-1/2"	—	1	—
3526	3416	4"	—	1	—

APPLICATIONS

- For use in outdoor or indoor locations on flexible metallic liquidtight conduit and Type B flexible nonmetallic liquidtight conduit
- Use to positively bond the conduit to a box or enclosure
- RACO® liquidtight connectors are suitable for use in Class I, Div 2; Class II, Div 1 & 2; and Class III, Div 1 & 2 hazardous locations

PRODUCT FEATURES

- Patented split gland-ring is designed to slip onto the conduit quickly and to grip the jacket of the conduit, speeding installation, assuring a perfect seal, and preventing pullouts
- All components are reusable - RACO® liquidtight connectors may be easily disassembled and reused after years of service
- Sealing washer (included) provides a liquidtight seal when terminating the connector in a threadless opening
- Heavy duty locknut included with every RACO® liquidtight connector assures continuity of ground
- All steel/iron components are zinc electro plated for added corrosion protection
- UPC bar coded fittings are individually polybagged with a preprinted UPC-A bar code and packaged in pre-scored tear top cartons for an attractive presentation

45° CONNECTORS



Insulated
Steel/Malleable Iron



Uninsulated
Steel/Malleable Iron

INSULATED CATALOG NUMBER	UNINSULATED CATALOG NUMBER	TRADE SIZE	UNIT CARTON QTY.	SHIP CARTON QTY.	UPC BAR CODE
45° Insulated and Uninsulated – Steel/Malleable Iron					
3561*	3441*	3/8"	—	25	—
3562	3442	1/2"	—	25	—
3563	3443	3/4"	—	25	—
3564	3444	1"	—	10	—
3565	3445	1-1/4"	—	10	—
3566	3446	1-1/2"	—	5	—
3568	3448	2"	—	5	—

BODIES

- 3/8" to 1" Steel, 1-1/4" to 4" Malleable Iron

NUTS

- 3/8" to 1" Steel, 1-1/4" to 4" Malleable Iron

COMPLIANCES

- - Standard 514B
U L LISTED E195969
- - C22.2 #18

* 1/2" Trade size hub





90° CONNECTORS



Insulated
Steel/Malleable Iron



Uninsulated
Steel/Malleable Iron

APPLICATIONS

- For use in outdoor or indoor locations on flexible metallic liquidtight conduit and Type B flexible nonmetallic liquidtight conduit
- Use to positively bond the conduit to a box or enclosure
- RACO® liquidtight connectors are suitable for use in Class I, Div 2; Class II, Div 1 & 2; and Class III, Div 1 & 2 hazardous locations

PRODUCT FEATURES

- Patented split gland-ring is designed to slip onto the conduit quickly and to grip the jacket of the conduit, speeding installation, assuring a perfect seal, and preventing pullouts
- All components are reusable - RACO® liquidtight connectors may be easily disassembled and reused after years of service
- Sealing washer (included) provides a liquidtight seal when terminating the connector in a threadless opening
- Heavy duty locknut included with every RACO® liquidtight connector assures continuity of ground
- All steel/iron components are zinc electro plated for added corrosion protection
- UPC bar coded fittings are individually polybagged with a preprinted UPC-A bar code and packaged in pre-scored tear top cartons for an attractive presentation

BODIES

- 3/8" to 1" Steel, 1-1/4" to 4" Malleable Iron

NUTS

- 3/8" to 1" Steel, 1-1/4" to 4" Malleable Iron

COMPLIANCES

- - Standard 514B
UL LISTED E195969
- - C22.2 #18

INSULATED CATALOG NUMBER	UNINSULATED CATALOG NUMBER	TRADE SIZE	UNIT CARTON QTY.	SHIP CARTON QTY.	UPC BAR CODE
90° Insulated and Uninsulated – Steel/Malleable Iron					
3541RAC*	3421*	3/8"	25	100	—
—	3421-8*	3/8"	1	15	
3542	3422	1/2"	25	100	—
3542-8	3422-8	1/2"	1	15	
3543	3423	3/4"	25	100	—
3543-8	3423-8	3/4"	1	10	
3544	3424	1"	—	10	—
3544-8	3424-8	1"	1	5	
3545	3425	1-1/4"	—	10	—
3546	3426	1-1/2"	—	5	—
3548	3428	2"	—	5	—
3550	3430	2-1/2"	—	1	—
3552	3432	3"	—	1	—
3556	3436	4"	—	1	—

* 1/2" Trade size hub

SEE END OF SECTION (PG B108) FOR DETAILED DRAWINGS >>





LIQUIDTIGHT CONDUIT AND CORD CONNECTORS

STRAIGHT CONNECTORS



Insulated Die Cast Zinc



Uninsulated Die Cast Zinc

INSULATED CATALOG NUMBER	UNINSULATED CATALOG NUMBER	TRADE SIZE	UNIT CARTON QTY.	SHIP CARTON QTY.	UPC BAR CODE
Straight - Insulated and Uninsulated – Die Cast Zinc					
3511DC*	—	3/8"	50	200	—
—	3401DC*	3/8"	50	200	—
3512DC	3402DC	1/2"	50	200	—
3513DC	3403DC	3/4"	25	100	—
3514DC	3404DC	1"	—	10	—
3515DC	3405DC	1-1/4"	—	10	—
3516DC	3406DC	1-1/2"	—	5	—
3518DC	3408DC	2"	—	5	—
3520DC	—	2-1/2"	—	1	—
3522DC	—	3"	—	1	—
3524DC	—	3-1/2"	—	1	—
3526DC	—	4"	—	1	—

APPLICATIONS

- For use in outdoor or indoor locations on flexible metallic liquidtight conduit and Type B flexible nonmetallic liquidtight conduit
- Use to positively bond the conduit to a box or enclosure

PRODUCT FEATURES

- Patented split gland-ring is designed to slip onto the conduit quickly gripping the jacket of the conduit, speeding installation, assuring a perfect seal, preventing pullouts
- All components are reusable - RACO® liquidtight connectors may be easily disassembled and reused after years of service
- Sealing washer (included) provides a liquidtight seal when terminating the connector in a threadless opening
- Heavy duty locknut included with every RACO® liquidtight connector assures continuity of ground

COMPLIANCE

- Conduit Fittings 3HNN

90° CONNECTORS



Insulated Die Cast Zinc



Uninsulated Die Cast Zinc

90° Insulated and Uninsulated – Die Cast Zinc					
3541DC*	3421DC*	3/8"	25	100	—
3542DC	3422DC	1/2"	25	100	—
3543DC	3423DC	3/4"	25	100	—
3544DC	3424DC	1"	—	10	—
3545DC	3425DC	1-1/4"	—	10	—
3546DC	3426DC	1-1/2"	—	5	—
3548DC	3428DC	2"	—	5	—
3550DC	—	2-1/2"	—	1	—
3552DC	—	3"	—	1	—
3554DC	—	3-1/2"	—	1	—
3556DC	—	4"	—	1	—

* 1/2" Trade size hub





STRAIGHT, GROUNDING TYPE CONNECTORS



Insulated w/Ground Lug
Steel/Malleable Iron

APPLICATIONS

- For use in outdoor or indoor locations on flexible metallic liquidtight conduit, when installation of a copper or aluminum external bonding jumper is required
- RACO® grounding liquidtight connectors are suitable for use in Class I, Div 2; Class II, Div 1 & 2; and Class III, Div 1 & 2 hazardous locations

PRODUCT FEATURES

- Patented split gland-ring is designed to slip onto the conduit quickly and to grip the jacket of the conduit, speeding installation, assuring a perfect seal, and preventing pullouts
- All components are reusable - RACO® liquidtight connectors may be easily disassembled and reused after years of service
- Sealing washer (included) provides a liquidtight seal when terminating the connector in a threadless opening
- Heavy duty locknut included with every RACO® liquidtight connector assures continuity of ground
- All metallic components are zinc electro plated for added corrosion protection

BODIES

- 3/8" to 1" Steel, 1-1/4" to 4" Malleable Iron

NUTS

- 3/8" to 1" Steel, 1-1/4" to 4" Malleable Iron

COMPLIANCES

- - Standard 514B
U L LISTED E195969
- - C22.2 #18

CATALOG NUMBER	TRADE SIZE	UNIT CARTON QTY.	SHIP CARTON QTY.	GROUNDING WIRE CAPACITY		UPC BAR CODE
				MINIMUM	MAXIMUM	
Straight - Insulated with Ground Lug – Steel/Malleable Iron						
3511-3*	3/8"	—	25	#14 SOL.	#4 STR.	—
3512-3	1/2"	—	25	#14 SOL.	#4 STR.	—
3513-3	3/4"	—	25	#14 SOL.	#4 STR.	—
3514-3	1"	—	10	#14 SOL.	#4 STR.	—
3515-3	1-1/4"	—	10	#14 SOL.	#4 STR.	—
3516-3	1-1/2"	—	5	#14 SOL.	#4 STR.	—
3518-3	2"	—	5	#14 SOL.	#4 STR.	—
3520-3	2-1/2"	—	1	#14 SOL.	#1/0 STR.	—
3522-3	3"	—	1	#14 SOL.	#1/0 STR.	—
3524-3	3-1/2"	—	1	#6 STR.	#250 MCM	—
3526-3	4"	—	1	#6 STR.	#250 MCM	—

* 1/2" Trade size hub





45° INSULATED CONNECTOR, GROUNDING TYPE



Insulated w/Ground Lug
Steel/Malleable Iron

CATALOG NUMBER	TRADE SIZE	UNIT CARTON QTY.	SHIP CARTON QTY.	GROUNDING WIRE CAPACITY		UPC BAR CODE
				MINIMUM	MAXIMUM	
45° - Insulated with Ground Lug — Steel/Malleable Iron						
3561-3*	3/8"	—	25	#14 SOL.	#4 STR.	—
3562-3	1/2"	—	25	#14 SOL.	#4 STR.	—
3563-3	3/4"	—	25	#14 SOL.	#4 STR.	—
3564-3	1"	—	10	#14 SOL.	#4 STR.	—
3565-3	1-1/4"	—	10	#14 SOL.	#4 STR.	—
3566-3	1-1/2"	—	5	#14 SOL.	#4 STR.	—
3568-3	2"	—	5	#14 SOL.	#4 STR.	—

* 1/2" Trade size hub

APPLICATIONS

- For use in outdoor or indoor locations on flexible metallic liquidtight conduit, when installation of a copper or aluminum external bonding jumper is required
- RACO® grounding liquidtight connectors are suitable for use in Class I, Div 2; Class II, Div 1 & 2; and Class III, Div 1 & 2 hazardous locations

PRODUCT FEATURES

- Patented split gland-ring is designed to slip onto the conduit quickly and to grip the jacket of the conduit, speeding installation, assuring a perfect seal, and preventing pullouts
- Malleable iron castings mate with other components perfectly without strain or distortion
- All components are reusable - RACO® liquidtight connectors may be easily disassembled and reused after years of service
- Sealing washer (included) provides a liquidtight seal when terminating the connector in a threadless opening
- Heavy duty locknut included with every RACO® liquidtight connector assures continuity of ground
- All metallic components are zinc electro plated for added corrosion protection

BODIES

- 3/8" to 2" Malleable Iron

NUTS

- 3/8" to 1" Steel, 1-1/4" to 2" Malleable Iron

COMPLIANCES

- - Standard 514B
U L LISTED E195969
- - C22.2 #18





90° INSULATED CONNECTOR, GROUNDING TYPE



Insulated w/Ground Lug
Steel/Malleable Iron

APPLICATIONS

- For use in outdoor or indoor locations on flexible metallic liquidtight conduit, when installation of a copper or aluminum external bonding jumper is required
- RACO® grounding liquidtight connectors are suitable for use in Class I, Div 2; Class II, Div 1 & 2; and Class III, Div 1 & 2 hazardous locations

PRODUCT FEATURES

- Patented split gland-ring is designed to slip onto the conduit quickly and to grip the jacket of the conduit, speeding installation, assuring a perfect seal, and preventing pullouts
- Malleable iron castings mate with other components perfectly without strain or distortion
- All components are reusable - RACO® liquidtight connectors may be easily disassembled and reused after years of service
- Sealing washer (included) provides a liquidtight seal when terminating the connector in a threadless opening
- Heavy duty locknut included with every RACO® liquidtight connector assures continuity of ground
- All metallic components are zinc electro plated for added corrosion protection

BODIES

- 3/8" to 4" Malleable Iron

NUTS

- 3/8" to 1" Steel, 1-1/4" to 4" Malleable Iron

COMPLIANCES

- - Standard 514B
U L LISTED E195969
- - C22.2 #18

CATALOG NUMBER	TRADE SIZE	UNIT CARTON QTY.	SHIP CARTON QTY.	GROUNDING WIRE CAPACITY		UPC BAR CODE
				MINIMUM	MAXIMUM	
90° - Insulated with Ground Lug – Steel/Malleable Iron						
3541-3*	3/8"	—	25	#14 SOL.	#4 STR.	—
3542-3	1/2"	—	25	#14 SOL.	#4 STR.	—
3543-3	3/4"	—	25	#14 SOL.	#4 STR.	—
3544-3	1"	—	10	#14 SOL.	#4 STR.	—
3545-3	1-1/4"	—	10	#14 SOL.	#4 STR.	—
3546-3	1-1/2"	—	5	#14 SOL.	#4 STR.	—
3548-3	2"	—	5	#14 SOL.	#4 STR.	—
3550-3	2-1/2"	—	1	#14 SOL.	#4 STR.	—
3552-3	3"	—	1	#14 SOL.	#4 STR.	—
3556-3	4"	—	1	#14 STR.	#4 STR.	—

* 1/2" Trade size hub

SEE END OF SECTION (PG B109) FOR DETAILED DRAWINGS >>





SEALING WASHERS - STEEL



Sealing Washers*

CATALOG NUMBER	TRADE SIZE	UNIT CARTON QTY.	SHIP CARTON QTY.	UPC BAR CODE
Sealing Washers* – Steel				
2452	1/2"	50	100	—
2452-8	1/2"	2 per bag	25 bags of 2	
2453	3/4"	25	50	—
2453-8	3/4"	2 per bag	20 bags of 2	
2454	1"	25	50	—
2454-8	1"	2 per bag	10 bags of 2	
2455	1-1/4"	5	25	—
2456	1-1/2"	5	25	—
2458	2"	5	25	—

* One-piece steel ring and neoprene gasket, raintight

APPLICATIONS

- For use whenever a positive seal is required between the shoulder of a fitting and an enclosure

PRODUCT FEATURES

- One piece construction assures proper installation - no need to worry about aligning multiple components
- Steel ring is zinc electro plated for added corrosion protection
- UPC bar coded fittings are individually polybagged with a preprinted UPC-A bar code and packaged in pre-scored tear top cartons for an attractive presentation

COMPLIANCES

- - Standard 514B
U L LISTED E195973
- - C22.2 #18





TYPE B CONNECTORS - NONMETALLIC



Straight Connectors
Nylon - for Type B Conduit

APPLICATIONS

- For use in dry or wet locations when the conduit and fittings are not subject to physical damage
- Use Type B conduit and fittings whenever flexibility is required for installation, operation, or maintenance

PRODUCT FEATURES

- All gray nonmetallic construction provides superior corrosion resistance
- Each connector is supplied with a Neoprene O-ring and nylon locknut
- UPC bar coded fittings are individually polybagged with a preprinted UPC-A bar code and packaged in pre-scored tear top cartons for an attractive presentation

COMPLIANCES

- - Standard 514B
- - C22.2 #18
- NEMA Type 4x, 12 and 13

CATALOG NUMBER	TRADE SIZE	UNIT CARTON QTY.	SHIP CARTON QTY.	UPC BAR CODE
Straight Connectors – Nylon				
4721*	3/8"	—	25	—
4722	1/2"	—	25	—
4722-8	1/2"	1	20	
4723	3/4"	—	25	—
4723-8	3/4"	1	15	
4724	1"	—	10	—
4724-8	1"	1	10	
4725	1-1/4"	—	10	—
4726	1-1/2"	—	5	—
4728	2"	—	5	—

* 1/2" Trade size hub





SWIVEL-LOK® MULTI POSITION CONNECTORS FOR TYPE B NONMETALLIC CONDUIT - NONMETALLIC



SWIVEL-LOK® Straight Position



SWIVEL-LOK® 90° Position

CATALOG NUMBER	TRADE SIZE	UNIT CARTON QTY.	SHIP CARTON QTY.	UPC BAR CODE
SWIVEL-LOK® Multi-position Connectors – Nylon for Type B Conduit				
4731*	3/8"	—	25	—
4732	1/2"	—	25	—
4732-8	1/2"	1	20	
4733	3/4"	—	25	—
4733-8	3/4"	1	15	
4734	1"	—	10	—
4734-8	1"	1	10	

* 1/2" Trade size hub

APPLICATIONS

- For use in dry or wet locations when the conduit and fittings are not subject to physical damage
- Use Type B conduit and fittings whenever flexibility is required for installation, operation, or maintenance

PRODUCT FEATURES

- All gray nonmetallic construction provides superior corrosion resistance
- Each connector is supplied with a Neoprene O-ring and nylon gasket
- SWIVEL-LOK, multi-position connector (trade sizes 3/8" to 1") twists from 0° to 90°, easing installation in difficult locations and eliminating need to stock other angle connectors
- UPC bar coded fittings are individually polybagged with a preprinted UPC-A bar code and packaged in pre-scored tear top cartons for an attractive presentation

COMPLIANCES

- - Standard 514B
- - C22.2 #18
- NEMA Type 4x, 12 and 13



CONNECTORS FOR EXTRA FLEXIBLE TUBING - NONMETALLIC



Straight Connectors
Nylon - for Extra Flexible Tubing

APPLICATIONS

- For use in dry or wet locations when the conduit and fittings are not subject to physical damage
- Use extra flexible tubing and connectors whenever added flexibility is required for installation, operation, or maintenance

PRODUCT FEATURES

- All black nonmetallic construction ends metal fatigue and separation problems and provides superior corrosion resistance
- Each connector is supplied with a Neoprene O-ring and nylon gasket
- SWIVEL-LOK®, multi-position connector (trade sizes 3/8" to 1") twists from 0° to 90°, easing installation in difficult locations and eliminating need to stock other angle connectors

COMPLIANCES

- - Standard 514B
- - C22.2 #18
- NEMA Type 4x, 12 and 13

CATALOG NUMBER	TRADE SIZE	UNIT CARTON QTY.	SHIP CARTON QTY.	UPC BAR CODE
Straight Connectors – Nylon				
4741*	3/8"	—	25	—
4742	1/2"	—	25	—
4743	3/4"	—	25	—
4744	1"	—	10	—
4745	1-1/4"	—	10	—
4746	1-1/2"	—	5	—
4748	2"	—	5	—

* 1/2" Trade size hub



SWIVEL-LOK® Straight Position
Nylon - for Extra Flexible Tubing



SWIVEL-LOK® 90° Position
Nylon - for Extra Flexible Tubing

CATALOG NUMBER	TRADE SIZE	UNIT CARTON QTY.	SHIP CARTON QTY.	UPC BAR CODE
SWIVEL-LOK® Multi-position Connectors – Nylon for Extra Flexible Tubing				
4751*	3/8"	—	25	—
4752	1/2"	—	25	—
4753	3/4"	—	25	—
4754	1"	—	10	—

* 1/2" Trade size hub





STRAIN RELIEF CORD CONNECTORS - STEEL/MALLEABLE IRON



Straight Connectors

CATALOG NUMBER	CABLE RANGE INCHES	UNIT CARTON QTY.	SHIP CARTON QTY.	UPC BAR CODE
Straight Connectors – Steel/Malleable Iron				
<i>1/2" Hubs - Form 1</i>				
3702-1	.125 - .250	—	25	—
3702-2	.250 - .375	—	25	—
3782-2	.250 - .375	1	15	
3702-3	.375 - .425	—	25	—
3702-4	.425 - .500	—	25	—
<i>1/2" Hubs - Form 2</i>				
3702-5	.375 - .500	—	25	—
3782-5	.375 - .500	1	15	
3702-6	.500 - .600	—	25	—
3782-6	.500 - .600	1	15	
<i>3/4" Hubs - Form 3</i>				
3703-1	.250 - .375	—	25	—
3703-2	.375 - .500	—	25	—
3703-3	.500 - .600	—	25	—
3703-4	.600 - .650	—	25	—
3703-6	.650 - .700	—	25	—
3703-5	.700 - .850	—	25	—
<i>1" Hubs - Form 4</i>				
3704-1	.600 - .700	—	25	—
3704-2	.700 - .850	—	25	—
3704-3	.850 - 1.000	—	25	—
<i>1-1/4" Hubs - Form 5</i>				
3705-1	.850 - 1.000	—	25	—
3705-2	1.000 - 1.250	—	25	—
3705-3	1.250 - 1.400	—	25	—
<i>1-1/2" Hubs - Form 6</i>				
3706-1	1.000 - 1.250	—	10	—
3706-2	1.250 - 1.400	—	10	—

APPLICATIONS

- For use in dry or wet locations to provide a liquidtight and strain relief termination for flexible cord and cable
- RACO® liquidtight strain relief cord connectors are suitable for use in Class I, Div 2; Class II, Div 1 & 2; and Class III, Div 1 & 2 hazardous locations

PRODUCT FEATURES

- All steel/malleable construction provides mechanical strength
- Unique Neoprene grommet design - grommet is forced up and around the cord when the nut is tightened for a positive liquidtight seal
- Washers have size range imprinted for identification - eliminates misidentifying inventory
- Use RACO locknuts and sealing washers to complete a liquidtight installation on a sheet metal box or panel
- All metallic components are zinc electro plated for corrosion protection
- UPC bar coded fittings are individually polybagged with a preprinted UPC-A bar code and packaged in pre-scored tear top cartons for an attractive presentation

BODIES

- 3/8" to 1" Steel, 1-1/4" to 1-1/2" Malleable Iron

NUTS

- 3/8" to 1" Steel, 1-1/4" to 1-1/2" Malleable Iron

COMPLIANCE

- cUL^{us}
- UL FILE E195973





90° STRAIN RELIEF CORD CONNECTORS - STEEL/MALLEABLE IRON



90° Connectors

APPLICATIONS

- For use in dry or wet locations to provide a liquidtight and strain relief termination for flexible cord and cable
- RACO® liquidtight strain relief cord connectors are suitable for use in Class I, Div 2; Class II, Div 1 & 2; and Class III, Div 1 & 2 hazardous locations

PRODUCT FEATURES

- All steel/malleable construction provides mechanical strength
- Unique Neoprene grommet design - grommet is forced up and around the cord when the nut is tightened for a positive liquidtight seal
- Washers have size range imprinted for identification - eliminates misidentifying inventory
- Use RACO® locknuts and sealing washers to complete a liquidtight installation on a sheet metal box or panel
- All metallic components are zinc electro plated for corrosion protection

BODIES

- 1/2" to 3/4" Malleable Iron

NUTS

- 1/2" to 3/4" Steel

COMPLIANCE



UL FILE E195973

CATALOG NUMBER	CABLE RANGE INCHES	UNIT CARTON QTY.	SHIP CARTON QTY.	UPC BAR CODE
90° Connectors – Malleable Iron				
<i>1/2" Hubs - Form 1</i>				
3792-1	.125 - .250	—	25	—
3792-2	.250 - .375	—	25	—
3792-3	.375 - .425	—	25	—
3792-4	.425 - .500	—	25	—
<i>1/2" Hubs - Form 2</i>				
3792-5	.375 - .500	—	25	—
3792-6	.500 - .600	—	25	—
<i>3/4" Hubs - Form 3</i>				
3793-1	.250 - .375	—	10	—
3793-2	.375 - .500	—	10	—
3793-3	.500 - .600	—	10	—
3793-4	.600 - .650	—	10	—
3793-6	.650 - .700	—	10	—
3793-5	.700 - .850	—	10	—





STRAIN RELIEF CORD CONNECTORS - NONMETALLIC



Straight Connectors
Nylon

CATALOG NUMBER	CABLE RANGE INCHES	UNIT CARTON QTY.	SHIP CARTON QTY.	UPC BAR CODE
Straight Connectors – Nylon				
<i>1/4" Hubs - Form 1</i>				
4699-5	.312 - .375	—	25	—
<i>3/8" Hubs - Form 1</i>				
4700-5	.312 - .375	—	25	—
4700-6	.375 - .437	—	25	—
<i>1/2" Hubs - Form 2</i>				
4702-1	.062 - .125	—	25	—
4702-3	.187 - .250	—	25	—
4702-4	.250 - .375	—	25	—
4702-5	.375 - .500	—	25	—
4702-6	.500 - .625	—	25	—
<i>3/4" Hubs - Form 3</i>				
4703-1	.375 - .500	—	15	—
4703-2	.500 - .625	—	15	—
4703-3	.625 - .750	—	15	—
4703-4	.750 - .875	—	15	—
<i>1" Hubs - Form 4</i>				
4704-3	.625 - .750	—	10	—
4704-5	.875 - 1.000	—	10	—
4704-6	1.000 - 1.125	—	10	—

APPLICATIONS

- For use in dry or wet locations to provide a liquidtight and strain relief termination for flexible cord and cable
- RACO® liquidtight strain relief cord connectors are suitable for use in Class I, Div 2; Class II, Div 1 & 2; and Class III, Div 1 & 2 hazardous locations

PRODUCT FEATURES

- Nylon construction is lightweight and easy to use
- Neoprene grommet
- Resists most common industrial corrosives
- Color-coded Gotcha® ring provides fast identification of cord size

DIA. RANGE INCHES	COLOR CODE
.062 - .125	Green
.187 - .250	Red
.250 - .312	Black
.312 - .375	White
.250 - .375	White
.375 - .437	Blue
.375 - .500	Blue
.500 - .625	Brown
.625 - .750	Yellow
.750 - .875	Purple
.875 - 1.000	Gray
1.000 - 1.125	Pink

COMPLIANCES

- - Standard 514B
- - C22.2 #18



STRAIGHT STRAIN RELIEF CORD CONNECTORS - ALUMINUM



Straight Connectors

APPLICATIONS

- For use in dry or wet locations to provide a liquidtight and strain relief termination for flexible cord and cable
- Aluminum liquidtight strain relief cord connectors are suitable for use in Class I, Div 2; Class II, Div 1 & 2; and Class III, Div 1 & 2 hazardous locations

PRODUCT FEATURES

- Aluminum construction provides a corrosion resistant installation
- Patented Gotcha® ring incorporates a split hinge design to prevent friction and to provide strain relief
- Neoprene grommet
- Knurled compression nut allows the fittings to be hand tightened to UL requirements
- Gotcha® ring is color-coded for sizing identification

DIAMETER RANGE	COLOR CODE
.062 - .125	Green
.125 - .187	Orange
.187 - .250	Red
.250 - .312	Black
.312 - .375	White
.250 - .375	White
.375 - .437	Blue
.375 - .500	Blue
.500 - .625	Brown
.625 - .750	Yellow
.750 - .875	Purple
.875 - 1.000	Gray
1.000 - 1.125	Pink

COMPLIANCES

- - Standard 514B
- - C22.2 #18

CATALOG NUMBER	CABLE RANGE INCHES	UNIT CARTON QTY.	SHIP CARTON QTY.	UPC BAR CODE
Straight Connectors – Aluminum				
<i>1/2" Hubs - Form 1</i>				
4801-2	.187 - .250	—	25	—
4801-3	.250 - .312	—	25	—
4801-4	.312 - .375	—	25	—
4801-5	.375 - .437	—	25	—
<i>1/2" Hubs - Form 2</i>				
4801-0	.062 - .125	—	25	—
4801-1	.125 - .187	—	25	—
4802-4	.375 - .500	—	25	—
4802-5	.500 - .625	—	25	—
<i>1/2" Hubs - Form 3</i>				
4802-8	.625 - .750	—	15	—
4802-9	.750 - .875	—	15	—
<i>3/4" Hubs - Form 2</i>				
4803-2	.187 - .250	—	25	—
4803-3	.250 - .375	—	25	—
4803-4	.375 - .500	—	25	—
4803-5	.500 - .625	—	25	—
<i>3/4" Hubs - Form 3</i>				
4803-8	.625 - .750	—	15	—
4803-9	.750 - .875	—	15	—
<i>1" Hubs - Form 4</i>				
4804-0	.375 - .500	—	10	—
4804-1	.500 - .625	—	10	—
4804-2	.625 - .750	—	10	—
4804-3	.750 - .875	—	10	—
4804-4	.875 - 1.000	—	10	—
4804-5	1.000 - 1.250	—	10	—





STRAIGHT SQUEEZE CONNECTORS - MALLEABLE IRON



Straight Squeeze Connectors
Insulated



Straight Squeeze Connectors
Uninsulated

CATALOG NUMBER	TRADE SIZE	UNIT CARTON QTY.	SHIP CARTON QTY.	UPC BAR CODE
Straight Squeeze Connector, Insulated – Malleable Iron				
3301	3/8"*	—	50	—
3302	1/2"	—	50	—
3302-8	1/2"	1	25	
3303	3/4"	—	25	—
3303-8	3/4"	1	20	
3304	1"	—	25	—
3304-8	1"	1	5	
3305	1-1/4"	—	25	—
3306	1-1/2"	—	25	—
3308	2"	—	10	—
3310	2-1/2"	—	1	—
3312	3"	—	1	—
3314	3-1/2"	—	1	—
3316	4"	—	1	—
Straight Squeeze Connector, Uninsulated – Malleable Iron				
2101	3/8"*	—	50	—
2102	1/2"	—	50	—
2102-8	1/2"	1	25	
2103	3/4"	—	25	—
2103-8	3/4"	1	20	
2104	1"	—	25	—
2104-8	1"	1	5	
2105	1-1/4"	—	25	—
2106	1-1/2"	—	25	—
2108	2"	—	10	—
2110	2-1/2"	—	1	—
2112	3"	—	1	—
2114	3-1/2"	—	1	—
2116	4"	—	1	—

APPLICATIONS

- For use in dry locations to bond flexible metal conduit to a box or enclosure

PRODUCT FEATURES

- All malleable construction insures mechanical protection for the raceway
- Electro zinc plated for added corrosion protection
- UPC bar coded fittings are individually polybagged with a preprinted UPC-A bar code and packaged in pre-scored tear top cartons for an attractive presentation

COMPLIANCE

- UL Listed E195969

* For 1/2" knockout



DOUBLE BITE SADDLE CONNECTORS - MALLEABLE IRON/STEEL



Insulated Straight Connectors



90° Insulated Connectors

APPLICATIONS

- Use 3/8" - 1" RACO® Double Bite Saddle Connectors in dry locations to connect flexible metal conduit, MCI, MCI-A and AC cable to a box or enclosure
- Use 1-1/4" to 4" in dry locations to connect flexible metal conduit to a box or enclosure

PRODUCT FEATURES

- Straight connectors have all steel construction that ensures mechanical protection for raceways
- Straight connectors available in 3/8" to 4" trade sizes
- 90° connectors have malleable iron and steel construction for added strength
- 90° connectors available in 3/8" to 1" trade sizes
- Dual saddle clamp ensures proper conduit and cable connection for raceway
- Zinc plated for corrosion resistant installation
- Tri-head screw/clamp design - connectors can be installed by using a slotted, Phillips or Robertson head screwdriver
- Insulated throats on all DOUBLE BITE connectors provide maximum wire protection

COMPLIANCES

- - Standard 514B
UL Listed E195966
- NEMA FB-1

CATALOG NUMBER	TRADE SIZE	UNIT CARTON QTY.	SHIP CARTON QTY.	UPC BAR CODE
Straight DOUBLE BITE Saddle Connectors – Steel				
3301DB	3/8"	—	50	—
3302DB	1/2"	—	25	—
3303DB	3/4"	—	10	—
3304DB	1"	—	5	—
3305DB	1-1/4"	—	5	—
3306DB	1-1/2"	—	5	—
3308DB	2"	—	1	—
3310DB	2-1/2"	—	1	—
3312DB	3"	—	1	—
3314DB	3-1/2"	—	1	—
3316DB	4"	—	1	—
90° DOUBLE BITE Saddle Connectors – Steel/Malleable Iron				
3201DB	3/8"	—	50	—
3202DB	1/2"	—	25	—
3203DB	3/4"	—	10	—
3204DB	1"	—	5	—





90° SQUEEZE CONNECTORS - MALLEABLE IRON



90° Squeeze Connectors Insulated



90° Squeeze Connectors Uninsulated

INSULATED CATALOG NUMBER	UNINSULATED CATALOG NUMBER	TRADE SIZE	UNIT CARTON QTY.	SHIP CARTON QTY.	UPC BAR CODE
90° Squeeze Connector, Insulated and Uninsulated – Malleable Iron					
3201	2201	3/8"*	—	50	—
3202	—	1/2"	—	25	—
—	2202	1/2"	25	100	—
3202-8	2202-8	1/2"	1	25	
3203	2203	3/4"	—	25	—
3203-8	2203-8	3/4"	1	20	
3204	2204	1"	—	25	—
—	2204-8	1"	1	5	
3205	2205	1-1/4"	—	10	—
3206	2206	1-1/2"	—	5	—
3208	2208	2"	—	5	—
3210	2210	2-1/2"	—	1	—
3212	2212	3"	—	1	—
3214	2214	3-1/2"	—	1	—
3216	2216	4"	—	1	—

APPLICATIONS

- For use in dry locations to bond flexible metal conduit to a box or enclosure

PRODUCT FEATURES

- All malleable construction insures mechanical protection for the raceway
- Electro zinc plated for added corrosion protection
- UPC bar coded fittings are individually polybagged with a preprinted UPC-A bar code and packaged in pre-scored tear top cartons for an attractive presentation

INSULATED AND UNINSULATED COMPLIANCE

- UL US
UL Listed E195969

* For 1/2" knockout



STRAIGHT SQUEEZE CONNECTORS - DIE CAST ZINC



Straight Squeeze Uninsulated

APPLICATIONS

- For use in dry locations to bond flexible metal conduit to a box or enclosure

PRODUCT FEATURES

- Rugged metallic construction insures mechanical protection for the raceway

COMPLIANCES

- - Standard 514B
U L LISTED E195969
- - C22.2 #18 (2191 - 2198)

CATALOG NUMBER	TRADE SIZE	UNIT CARTON QTY.	SHIP CARTON QTY.	UPC BAR CODE
Straight Squeeze - Uninsulated – Die Cast Zinc				
2191	3/8"*	50	500	—
2192	1/2"	25	250	—
2193	3/4"	25	250	—
2194	1"	10	100	—
2195RAC	1-1/4"	10	100	—
2196RAC	1-1/2"	5	50	—
2198	2"	10	40	—

* For 1/2" knockout

45° AND 90° SQUEEZE CONNECTORS - DIE CAST ZINC



45° Squeeze Connectors Uninsulated



90° Squeeze Connectors Uninsulated

APPLICATIONS

- For use in dry locations to bond flexible metal conduit to a box or enclosure

PRODUCT FEATURES

- Rugged metallic construction insures mechanical protection for the raceway

COMPLIANCES

- - Standard 514B (2691 - 2698)
U L FILE E195969
- - C22.2 #18 (2691 - 2698)
- - (2221 - 2222)

CATALOG NUMBER	TRADE SIZE	UNIT CARTON QTY.	SHIP CARTON QTY.	UPC BAR CODE
45° Squeeze Connector, Uninsulated – Malleable Iron - Die Cast Zinc				
2221	3/8"*	—	25	—
2222	1/2"	—	25	—
90° Squeeze Connector, Uninsulated – Die Cast Zinc				
2691	3/8"*	50	500	—
2692	1/2"	25	250	—
2693	3/4"	10	100	—
2694	1"	5	50	—
2695	1-1/4"	10	40	—
2696	1-1/2"	—	5	—
2698	2"	—	5	—

* For 1/2" knockout

SEE END OF SECTION (PG B114) FOR DETAILED DRAWINGS >>





SCREW-IN TYPE CONNECTORS AND COUPLINGS - DIE CAST ZINC



Uninsulated Screw-In Connectors



Screw-In Couplings

CATALOG NUMBER	TRADE SIZE	UNIT CARTON QTY.	SHIP CARTON QTY.	UPC BAR CODE
Connectors - Screw-in – Die Cast Zinc				
2281	3/8"*	50	500	—
2282	1/2"	50	500	—
2283	3/4"	25	250	—
Couplings - Screw-in – Die Cast Zinc				
2272	1/2"	50	500	—
2273	3/4"	25	250	—

* 1/2" Trade size hub

APPLICATIONS

- For use in dry locations to bond flexible metal conduit to a box or enclosure

PRODUCT FEATURES

- Rugged metallic construction insures mechanical protection for the raceway

COMPLIANCES

- - Standard 514B
U L LISTED E195969
- - C22.2 #18

SET SCREW CONNECTORS - DIE CAST ZINC



2511
Set Screw Connector



2632
Set Screw Connector

CATALOG NUMBER	TRADE SIZE	UNIT CARTON QTY.	SHIP CARTON QTY.	UPC BAR CODE
Set Screw Connector – Die Cast Zinc				
2511	3/8"*	100	1000	—
2632	1/2"	25	250	—

* For 1/2" knockout

APPLICATIONS

- For use in dry locations to bond flexible metal conduit to a box or enclosure

PRODUCT FEATURES

- Rugged metallic construction insures mechanical protection for the raceway

COMPLIANCES

- - Standard 514B
U L FILE E195969
- - C22.2 #18



CLAMP TYPE CONNECTORS AND DUPLEX CONNECTORS - DIE CAST ZINC



Clamp Type Connector



Duplex Connector

APPLICATION

- For use in dry locations to bond flexible metal conduit to a box or enclosure

PRODUCT FEATURE

- Rugged metallic construction insures mechanical protection for the raceway

COMPLIANCES

- - Standard 514B
U L FILE E195969
- - C22.2 #18

APPLICATIONS

- For use when coupling flexible metal conduit to rigid/MC conduit
- Use RACO® Cat. Nos. 1552 - 1554 when coupling threaded rigid/IMC conduit to flexible metal conduit

PRODUCT FEATURES

- Rugged metallic construction insures mechanical protection
- Steel/malleable components are electro zinc plated for added corrosion protection

COMPLIANCE

UL FILE E195969

-

FLEX - EMT APPLICATION

- For use when coupling flexible metal conduit to EMT conduit

PRODUCT FEATURES

- Rugged metallic construction insures mechanical protection
- Steel/malleable components are electro zinc plated for added corrosion protection
- UPC bar coded fittings are individually polybagged with a preprinted UPC-A bar code and packaged in pre-scored tear top cartons for an attractive presentation

COMPLIANCES

- - Standard 514B
- - C22.2 #18

CATALOG NUMBER	TRADE SIZE	UNIT CARTON QTY.	SHIP CARTON QTY.	UPC BAR CODE
Clamp Type Connector – Die Cast Zinc				
2661	3/8"*	100	1000	—
Duplex Connector – Die Cast Zinc				
2611	3/8"*	25	250	—

* For 1/2" knockout

COMBINATION COUPLINGS - MALLEABLE IRON



Flex - Rigid Couplings

CATALOG NUMBER	TRADE SIZE	UNIT CARTON QTY.	SHIP CARTON QTY.	UPC BAR CODE
Flex to Rigid Couplings – Malleable Iron				
1552	1/2"	25	100	—
1553	3/4"	—	25	—
1554	1"	—	25	—



Flex - EMT Squeeze Couplings

CATALOG NUMBER	FLEX SIZE	EMT SIZE	UNIT CARTON QTY.	SHIP CARTON QTY.	UPC BAR CODE
Flex-EMT Squeeze Couplings – Malleable Iron					
1941*	3/8"	1/2"	—	25	—
1942	1/2"	1/2"	—	25	—
1942-8	1/2"	1/2"	1	25	
1943	3/4"	3/4"	—	25	—
1943-8	3/4"	3/4"	1	20	

* Not UL Listed

SEE END OF SECTION (PG B116) FOR DETAILED DRAWINGS >>





COMBINATION COUPLINGS - DIE CAST ZINC



Flex - EMT Screw-In/Compression Couplings

CATALOG NUMBER	FLEX SIZE	EMT SIZE	UNIT CARTON QTY.	SHIP CARTON QTY.	UPC BAR CODE
Flex-EMT Couplings, Screw-In/Compression – Die Cast Zinc					
1482	1/2"	1/2"	50	500	—
1483	3/4"	3/4"	25	250	—
1484	1"	1"	25	250	—

COMBINATION COUPLINGS APPLICATIONS

- For use when coupling flexible metal conduit to EMT conduit
- Use RACO® Cat. Nos. 1482 - 1484 when coupling flexible metal conduit to EMT conduit

PRODUCT FEATURE

- Rugged metallic construction insures mechanical protection

COMPLIANCES

- - Standard 514B
- - C22.2 #18

NAIL-UP STRAPS



Nail-Up Straps

CATALOG NUMBER	TRADE SIZE	UNIT CARTON QTY.	SHIP CARTON QTY.	UPC BAR CODE
Nail-Up Straps – Steel				
2252	3/8" *	100	1000	—
2253	1/2" **	100	1000	—

NAIL-UP STRAPS APPLICATION

- For use in mounting flexible metal conduit, armored cable, and MC cable

PRODUCT FEATURE

- Stamped steel straps are pregalvanized for added corrosion protection

NAIL-UP STRAPS COMPLIANCE

-

ANTI-SHORT BUSHINGS APPLICATION

- Anti-short bushings are for use with Armored cable and Flexible Metal Conduit. The bushings protect the conductors during pulling from sharp cut ends of the conduit.

PRODUCT FEATURES

- Easy to use - just insert into the end of the conduit
- Lightweight, one-piece plastic construction resists corrosion
- Economical solution for preventing costly damage

BUSHINGS



Anti-short Bushings

CATALOG NUMBER	TRADE SIZE	UNIT CARTON QTY.	SHIP CARTON QTY.	UPC BAR CODE
Anti-short Bushings – Plastic				
1440B35	5/16"	35	10 bags of 35	
1441B35	3/8"	35	10 bags of 35	
1447B35	7/16"	35	5 bags of 35	
1442B20	1/2"	20	5 bags of 20	
1443B16	3/4"	16	4 bags of 16	

SEE END OF SECTION (PG B116 & 117) FOR DETAILED DRAWINGS >>





UNINSULATED CONNECTORS - DIE CAST ZINC



Set Screw Connector



Clamp Type Connector



Squeeze Type Connector

APPLICATIONS

- For use in dry locations to bond armored cable to a box or enclosure

PRODUCT FEATURES

- Rugged metallic construction insures mechanical protection for the raceway

COMPLIANCES

- - Standard 514B
UL Listed E195969 (excludes 2191)
- - C22.2 #18

CATALOG NUMBER	TRADE SIZE	UNIT CARTON QTY.	SHIP CARTON QTY.	UPC BAR CODE
Set Screw Connector – Die Cast Zinc				
2511 ^①	3/8"	100	1000	—
Clamp Type Connector – Die Cast Zinc				
2661 ^①	3/8"	100	1000	—
Squeeze Type Connector – Die Cast Zinc				
2191 ^②	3/8"	50	500	—
2192	1/2"	25	250	—
2193	3/4"	25	250	—
2194	1"	10	100	—

^① For 1/2" knockout. 1/2" Hub size suitable for use with steel armored cable sizes 2#14, 3#14, 2#12, 3#12, 2#10 and 3#10 all with ground wire.

^② For 1/2" knockout. Suitable for use with steel armored cable and flexible metal conduit.





90° CONNECTORS - MALLEABLE IRON



90° Squeeze Connectors Insulated



90° Squeeze Connectors Uninsulated

CATALOG NUMBER	TRADE SIZE	UNIT CARTON QTY.	SHIP CARTON QTY.	UPC BAR CODE
90° Squeeze Connectors, Insulated Throat – Malleable Iron				
3201	3/8" *	—	50	—
3202	1/2"	—	25	—
3202-8	1/2"	1	25	
3203	3/4"	—	25	—
3203-8	3/4"	1	20	
90° Squeeze Connectors, Uninsulated Throat – Malleable Iron				
2201	3/8" *	—	50	—
2202	1/2"	25	100	—
2202-8	1/2"	1	25	
2203	3/4"	—	25	—
2203-8	3/4"	1	20	

APPLICATION

- For use in dry locations to bond armored cable to a box or enclosure

PRODUCT FEATURES

- Rugged metallic construction insures mechanical protection for the raceway
- UPC bar coded fittings are individually polybagged with a preprinted UPC-A bar code and packaged in pre-scored tear top cartons for an attractive presentation

COMPLIANCE

- - UL Listed E195969 (excludes 3201)

90° AND DUPLEX CONNECTORS - DIE CAST ZINC



90° Squeeze Type Connector Uninsulated



Duplex Connector

CATALOG NUMBER	TRADE SIZE	UNIT CARTON QTY.	SHIP CARTON QTY.	UPC BAR CODE
90° Squeeze Type Connector, Uninsulated – Die Cast Zinc				
2691	3/8" *	50	500	—
2692	1/2"	25	250	—
2693	3/4"	10	100	—
Duplex Connector – Die Cast Zinc				
2611	3/8" *	25	250	—

APPLICATIONS

- For use in dry locations to bond armored cable to a box or enclosure

PRODUCT FEATURES

- Rugged metallic construction insures mechanical protection for the raceway

COMPLIANCES

- - Standard 514B
UL Listed E195969
- - C22.2 #18

* For 1/2" knockout



BUSHINGS



Anti-short Bushings

APPLICATIONS

- Anti-short bushings are for use with Armored cable and Flexible Metal Conduit. The bushings protect the conductors during pulling from sharp cut ends of the conduit.

PRODUCT FEATURES

- Easy to use - just insert into the end of the conduit
- Lightweight, one-piece plastic construction resists corrosion
- Economical solution for preventing costly damage

CATALOG NUMBER	TRADE SIZE	UNIT CARTON QTY.	SHIP CARTON QTY.	UPC BAR CODE
Anti-short Bushings – Plastic				
1440B35	5/16"	35	10 bags of 35	
1441B35	3/8"	35	10 bags of 35	
1447B35	7/16"	35	5 bags of 35	
1442B20	1/2"	20	5 bags of 20	
1443B16	3/4"	16	4 bags of 16	

STRAP - STEEL



One Hole Strap

APPLICATIONS

- For use in mounting MC and AC cables in dry locations

PRODUCT FEATURES

- All steel construction ensures mechanical protection
- Zinc electro plated for corrosion protection

CATALOG NUMBER	TRADE SIZE	UNIT CARTON QTY.	SHIP CARTON QTY.	UPC BAR CODE
One Hole Strap – Steel				
NEW 2081	3/8"	100	1000	—

SEE END OF SECTION (PG B118) FOR DETAILED DRAWINGS >>





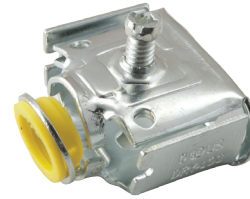
REDI-LOC® CONNECTORS - STEEL



2700, 2700-8, 2700AJ,
2700AJ-8, 2701, 2701-8



2720, 2720AJ



2715

CATALOG NUMBER	TRADE SIZE	CABLE SIZE	UNIT CRTN. QTY.	SHIP CRTN. QTY.	UPC BAR CODE
REDI-LOC® Cable Connectors – Steel and Nylon (Bushing)					
2700	1/2"	MCI: AL: .434 - .530, MCI: Steel .400 - .530,	50	500	—
2700-8	1/2"	MCI-A: Steel (.440 - .510), AC: Steel/AL: 14-2 (.400) to 12-3	1	25	
2700AJ	1/2"	MCI: Steel/AL: .475 - .575, MCI-A: AL .430 - .560	50	500	—
2700AJ-8	1/2"	MCI-A: Steel .470 - .540, AC: Steel/AL: 14-2 to 12-4 (.475 - .575)	1	25	
2701	3/4"	MCI: AL: .590 - .680, MCI: Steel .565 - .659,	25	250	—
2701-8	3/4"	AC: Steel/AL: 10-3 to 8-3 (.590)	1	20	
REDI-LOC® II Cable Connectors – Steel and Nylon (Bushing)					
2720	1/2"	AC: AL: 14-2 to 12-2 AC: Steel 14-2 to 12-3, MC: MCI: Steel/AL: 14-2 to 12-3, MCI-A: AL: 14-2 to 10-2 HCF: AL: 12-2 to 10-2 CABLE RANGE DIA.: .370" Dia. min. to .520" max.	50	500	—
2720AJ	1/2"	AC: Steel & AL 14-3 to 10-3, MC: MCI: Steel/AL: 12-2 to 10-3, MCI-A: Steel/AL: 12-3 to 10-3 HCF: AL: 12-3 to 10-3, 3/8" RWF MC: Steel/AL: CABLE RANGE DIA.: .460" Dia. min. to .600" max.	50	500	—
REDI-LOC® Duplex Cable Connector – Steel and Nylon (Bushing)					
2715	1/2"	MCI: AL: 450 - .545, MCI: Steel .425 - .550, MCC: AL: .380 - .550, MCC: AC: 14-1 to 12-3 w/Grnd., Alum. and Steel	25	250	—

APPLICATIONS

- RACO® REDI-LOC® metal-clad cable connector is designed for use in dry locations for connecting MCI, MCI-A, AC and HCF cable into a box or enclosure
- RACO® REDI-LOC® II is used to terminate and secure MC, MCI, MCI-A and armored cable into a 1/2" knockout

PRODUCT FEATURES

- No tools needed to assemble to end of cable or to install into box or enclosure
- Preassembled anti-short bushing will not fall out during installation
- Easy installation - push the cable into the fitting, push connector into the box or enclosure
- Can be removed without tools and is reusable
- Rugged one piece design
- Fits all standard 1/2" knockouts
- Made from steel, and nylon (bushing)
- Zinc electroplated for corrosion protection
- Tri-lingual (English, Spanish and French installation instructions included in each unit carton)
- UPC bar coded fittings are individually polybagged with a preprinted UPC A bar code and packaged in prescored tear top cartons for an attractive presentation

US Patent 5,731,543 (REDI-LOC)

US Patent Pending (REDI-LOC II)

APPLICATIONS

- RACO® REDI-LOC® Duplex connectors are for use in dry locations to connect MCI, MCI-A, AC and HCF cable to a box or enclosure

PRODUCT FEATURES

- Tri-head screw/clamp design can accommodate two runs of MCI, AC and HCF cable. Connector can be installed by using a slotted, Phillips or Robertson head screw-driver.
- Reusable design - installation can be reversed just as easily as it was originally installed

- Preassembled anti-short bushing will not fall out during installation
- Made from steel, and nylon (bushing)
- Zinc electroplated for corrosion protection
- Tri-lingual (English, Spanish and French installation instructions included in each unit carton)

COMPLIANCE (ALL)

- FILE E195966
- US Patents 6,034,326 and 6,020,557



CONNECTORS - SCREW TYPE STEEL



Connector

APPLICATIONS

- For use in dry locations for connecting MCI, MCI-A (2800 only), AC, and HCF cable into a box or enclosure

PRODUCT FEATURES

- Easy to install, just tilt, insert and snap down
- Tri-head screw/clamp design - connector can be installed by using a slotted, Phillips or Robertson head screwdriver
- Integral insuliner provides maximum wire protection
- Durable all-steel construction
- Zinc electroplated for corrosion protection

COMPLIANCE

- LISTED
UL Listed E195966

CATALOG NUMBER	TRADE SIZE	UNIT CARTON QTY.	SHIP CARTON QTY.	UPC BAR CODE
Cable Connector – Steel				
2800	1/2"	50	500	—
2801	3/4"	25	250	—

SELECTION CHART		
CABLE TYPE	2800 - 1/2" K0	2801 - 3/4" K0
AC Steel	14-2, 14-3, 14-4, 12-2, 12-3, 12-4, 10-2, 10-3	10-4, 10-5, 8-3, 8-4, 6-3
HCF Steel	14-2, 14-3, 12-2, 12-3, 10-2	—
AC Aluminum	14-2, 14-3, 14-4, 12-2, 12-3, 12-4	10-4, 8-3, 8-4
MCI Steel	14-2, 14-3, 14-4, 12-2, 12-3, 12-4, 10-2	10-3, 10-4, 8-2, 8-3
MCI Aluminum	14-2, 14-3, 14-4, 12-2, 12-3, 12-4, 10-2	10-3, 10-4, 8-2
MC Aluminum	14-3, 14-4, 12-2, 12-3, 12-4, 10-2, 10-3	—
MCI-A Aluminum	12-8, 10-3, 10-4, 10-6	—

SEE END OF SECTION (PG B119) FOR DETAILED DRAWINGS >>





CLAMP TYPE AND DUPLEX CONNECTORS - DIE CAST ZINC



Clamp Type Connector



Duplex Connector

APPLICATIONS

- For use in dry locations to connect MC/MCI cable to a box or enclosure

PRODUCT FEATURES

- Rugged metallic construction insure mechanical protection for the raceway

COMPLIANCES

- - Standard 514B
UL Listed E195969
- - C22.2 #18

CATALOG NUMBER	TRADE SIZE	UNIT CARTON QTY.	SHIP CARTON QTY.	UPC BAR CODE
Clamp Type Cable Connector – Die Cast Zinc				
2661	3/8" *	100	1000	—
Duplex Cable Connector – Die Cast Zinc				
2611	3/8" *	25	250	—

* For 1/2" knockout

1/2" HUB SIZE FOR MC CABLE - SELECTION CHART	
CLAMP TYPE - Part No. 2661	DIAMETER
Regular Aluminum Corrugated	.277" - .375"
Aluminum Corrugated	.365" - .510"
Aluminum Smooth	.345" - .525"
Aluminum Interlocked	.455" - .575"
Steel Interlocked	.435" - .547"
DUPLEX - Part No. 2611	
Aluminum Smooth	.410" - .500"
Aluminum Interlocked	.460" - .538"
Steel Interlocked	.438" - .560"



METAL CLAD CABLE CONNECTORS



DOUBLE BITE SADDLE CONNECTORS - MALLEABLE IRON/STEEL



Straight Connectors Insulated



90° Connectors Insulated

APPLICATIONS

- Use 3/8" - 1" RACO® Double Bite Saddle Connectors in dry locations to connect flexible metal conduit, MCI, MCI-A and AC cable to a box or enclosure
- Use 1-1/4" to 4" in dry locations to connect flexible metal conduit to a box or enclosure

PRODUCT FEATURES

- Straight connectors have all steel construction that ensures mechanical protection for raceways
- Straight connectors available in 3/8" to 4" trade sizes
- 90° connectors have malleable iron and steel construction for added strength
- 90° connectors available in 3/8" to 1" trade sizes
- Dual saddle clamp ensures proper conduit and cable connection for raceway
- Zinc plated for corrosion resistant installation
- Tri-head screw/clamp design - connectors can be installed by using a slotted, Phillips or Robertson head screwdriver
- Insulated throats on all DOUBLE BITE connectors provide maximum wire protection

COMPLIANCES

- - Standard 514B
UL Listed E195966
- NEMA FB-1

CATALOG NUMBER	TRADE SIZE	UNIT CARTON QTY.	SHIP CARTON QTY.	UPC BAR CODE
Straight DOUBLE BITE Saddle Connectors – Steel				
3301DB	3/8"	—	50	—
3302DB	1/2"	—	25	—
3303DB	3/4"	—	10	—
3304DB	1"	—	5	—
3305DB	1-1/4"	—	5	—
3306DB	1-1/2"	—	5	—
3308DB	2"	—	1	—
3310DB	2-1/2"	—	1	—
3312DB	3"	—	1	—
3314DB	3-1/2"	—	1	—
3316DB	4"	—	1	—
90° DOUBLE BITE Saddle Connectors – Steel/Malleable Iron				
3201DB	3/8"	—	50	—
3202DB	1/2"	—	25	—
3203DB	3/4"	—	10	—
3204DB	1"	—	5	—

		ARMORED CABLES	METAL CLAD CABLES	MCI-A CABLES	FEFMC
		STEEL & ALUMINUM	STEEL & ALUMINUM		
3201DB	3/8"	14-2, 14-3, 14-4, 12-2, 12-3,	14-2, 14-3, 14-4, 12-2, 12-3,	12-2, 12-3, 12-4, 12-6, 12-8,	
3301DB	3/8"	12-4, 10-2, .450-.660	12-4, 10-2, .450-.660	10-3, 10-4, .400-.590	
3202DB	1/2"	12-4, 10-2, 10-3, 10-4, 8-2,	10-2, 10-3, 10-4, 8-2, 8-3,	12-6, 12-8	
3302DB	1/2"	8-3, 8-4, 6-2, 6-3, .550-.920	.640-.920	.520-.620	
3203DB	3/4"	AL: 8-3, 8-4, 6-2, 6-3, 6-4,	AL: 6-4, 4-3, 3-3, .930-1.075		
3303DB	3/4"	4-2, 4-3, .680-1.075 ST: 6-4, 4-2, 4-3, .930-1.075	ST: 8-3, 8-4, 6-2, 6-3, 6-4, 4-3, 3-3, .730-1.075		
3204DB	1"	6-4, 4-3, 4-4, 3-2, 3-3, 2-3,	6-4, 4-3, 4-4, 3-3, 3-4,		
3304DB	1"	2-4, 1-3, 1-4, .930-1.468	.960-1.468		
3305DB	1-1/4"				1-1/4"
3306DB	1-1/2"				1-1/2"
3308DB	2"				2"
3310DB	2-1/2"				2-1/2"
3312DB	3"				3"
3314DB	3-1/2"				3-1/2"
3316DB	4"				4"

SEE END OF SECTION (PG B120) FOR DETAILED DRAWINGS >>





STRAP - STEEL



NEW!

One Hole Strap

APPLICATIONS

- For use in mounting MC and AC cables in dry locations

PRODUCT FEATURES

- All steel construction ensures mechanical protection
- Zinc electro plated for corrosion protection

CATALOG NUMBER	TRADE SIZE	UNIT CARTON QTY.	SHIP CARTON QTY.	UPC BAR CODE
One Hole Strap – Steel				
NEW 2081	3/8"	100	1000	—



THE INSIDER® CONNECTOR - THERMOPLASTIC



4714
THE INSIDER®

APPLICATIONS

- Use THE INSIDER® in dry locations to connect one or two runs of Nonmetallic Sheathed Cable (NMSC) to a box

PRODUCT FEATURES

- Installs from inside the box - The unique design allows the installer to run the NMSC through the knockout to the desired length before snapping the connector into the knockout. No need to cut an oversized hole for an old work box and connector installation
- The only NMSC connector that is UL tested for use with an eccentric knockout
- Accepts single and dual runs of NMSC and accommodates one of the widest ranges of NMSC combinations in the industry. No need to stock any other connector
- Snap-in locking tab design secures THE INSIDER into the removed 1/2" knockout securely
- One piece nonmetallic construction - made of tough engineered thermoplastic and can be use in exposed and concealed ceilings and walls. Resists corrosion and offers insulation protection.
- Can be easily removed by pushing one of the locking wing tabs with a screwdriver

COMPLIANCE

- LISTED
- UL FILE E195971
- US Patent 7,211,744

CATALOG NUMBER	TRADE SIZE	UNIT CARTON QTY.	SHIP CARTON QTY.	UPC BAR CODE
Nonmetallic Sheathed Cable Connector – Thermoplastic				
4714	1/2"	100	1000	—

THE INSIDER® – Information	
SINGLE	TWO CABLE COMBINATIONS
14-2 /with Ground	(2) 14-2 with Ground, (1) 14-2 with Ground & (1) 12-2 with Ground
14-3 /with Ground	
12-2 /with Ground	(2) 12-2 with Ground, (1) 12-2 with Ground & (1) 10-2 with Ground
12-3 /with Ground	
10-2 /with Ground	(1) 14-2 with Ground, & (1) 10-2 with Ground
10-3 /with Ground	



Step 1: Easy Installation - Remove desired knockout. Insert THE INSIDER into the knockout from inside the box.



Step 2: Done



Easy Removal - Push the wing tab of the connector with a screwdriver. Push the connector through the knockout towards the inside of the box.



Large Cable - For two cable installations insert the cables through the connector together or one by one. Ideal for circuit breaker panel use.



CLAMP TYPE - DIE CAST ZINC



Clamp Type Connectors

CATALOG NUMBER	TRADE SIZE	CABLE SIZE	UNIT CRTN. QTY.	SHIP CRTN. QTY.	UPC BAR CODE
Clamp Type Cable Connector – Die Cast Zinc					
2711	1/2"	2 #14, 2#10, 3 #14 or 3 #12 - with or without Ground	100	1000	—
2863	3/4"	3 #12, 3 #10, 2 #8	50	500	—
2864	1"	4 #12, 3 #12, 4 #10, 3 #10, 3 #8, 2 #8, 2 #6, 2 #4	25	250	—
2661	3/8" *	See Chart Below	100	1000	—

* For 1/2" knockout

APPLICATIONS

- For use in dry locations to connect Nonmetallic Sheathed Cable (NMSC) to a box or enclosure

PRODUCT FEATURES

- Rugged metallic construction will last the lifetime of the installation

COMPLIANCES

- - Standard 514B
UL Listed E195972
- - C22.2 #18

1/2" HUB SIZE FOR MC CABLE - SELECTION CHART

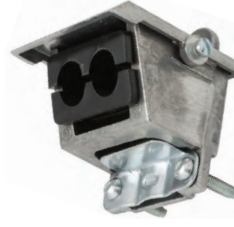
CLAMP TYPE - Part No. 2661	DIAMETER
Regular Aluminum Corrugated	.277" - .375"
Aluminum Corrugated	.365" - .510"
Aluminum Smooth	.345" - .525"
Aluminum Interlocked	.455" - .575"
Steel Interlocked	.435" - .547"



SERVICE ENTRANCE HEADS - ALUMINUM



Clamp Type for Rigid/IMC or EMT



Clamp Type for SEU Cable

APPLICATION

- For use to bring overhead electrical service into buildings

PRODUCT FEATURES

- Lightweight aluminum body construction eases installation and provides corrosion resistance
- Plastic insulator snaps out easily for quick cable insertion

COMPLIANCE

- - Standard 514B
U L Listed E195972, E195973

CATALOG NUMBER	TRADE SIZE	UNIT CARTON QTY.	SHIP CARTON QTY.	UPC BAR CODE
Entrance Heads, Clamp Type for Rigid/IMC or EMT – Aluminum				
2402	1/2"	—	10	
2403	3/4"	—	10	
2404	1"	—	5	
2405	1-1/4"	—	10	
2406	1-1/2"	—	5	
2408	2"	—	5	
2410	2-1/2"	—	1	
2412	3"	—	1	—
2414	3-1/2"	—	1	—
2416	4"	—	1	—

CATALOG NUMBER	NOMINAL CABLE SIZES	UNIT CARTON QTY.	SHIP CARTON QTY.	UPC BAR CODE
Entrance Heads, Clamp Type for SEU Cable – Aluminum				
2430	3-#8 through 3-#1 1-#6 through 1-#3	—	10	—
2440	3-#3/0 through 3-#4/0 1-#1/0 through 1-#2/0	—	10	—

SEE END OF SECTION (PG B122) FOR DETAILED DRAWINGS >>





UNDERGROUND FEEDER (UF) CONNECTORS - ALUMINUM/NYLON/STEEL



Aluminum



Nylon



Steel

CATALOG NUMBER	TRADE SIZE	GROMMET OPENING	UF* WIRE SIZE	UNIT CARTON QTY.	SHIP CARTON QTY.	UPC BAR CODE
UF Connectors, Liquid Tight – Aluminum						
4899-9	1/2"	Minimum .20" x .40" Maximum .25" x .55"	2#14, 2#12, 2#10	—	10	—
UF Connectors, Liquid Tight – Nylon						
4799-1	1/2"	Minimum .20" x .40" Maximum .25" x .55"	2#14, 2#12, 2#10	—	25	—
4799-3	3/4"	Minimum .20" x .60" Maximum .26" x .78"	3#14, 3#12, 3#10	—	15	—
UF Connectors, Liquid Tight – Steel						
2462	1/2"	Minimum .225" Maximum .425"	2#14, 2#12	25	100	—

APPLICATIONS

- For use with underground feeder (UF) cable to provide a liquid tight connection to meters and enclosures

PRODUCT FEATURES

- Rugged metallic construction will last the life of the installation
- Use a nylon connector when a lightweight corrosion resistant connection is required

COMPLIANCES

- - Standard 514B
- - C22.2 #18

* Wire sizes may vary among manufacturers



SERVICE ENTRANCE CABLE CONNECTORS - DIE CAST ZINC



UF Connectors - Liquid Tight

APPLICATION

- For use with service entrance cable to provide a liquid tight connection to meters and enclosures

PRODUCT FEATURES

- Rugged metallic construction will last the life of the installation

COMPLIANCE

- - Standard 514B
UL Listed E195972

CATALOG NUMBER	TRADE SIZE	GROMMET OPENING	UF* WIRE SIZE	UNIT CARTON QTY.	SHIP CARTON QTY.	UPC BAR CODE
Service Entrance Cable Connectors, Liquid Tight – Die Cast Zinc						
2475	1-1/4"	.57" x .85"	3#2	—	10	—
2485	1-1/4"	.51" x .85"	3#3	—	10	—
2486	1-1/2"	.74" x 1.23"	3#2/0	—	10	—
2498	2"	.83" x 1.41"	3#3/0	—	10	—
2468	2"	.89 x 1.54"	3#4/0	—	10	—

* Wire sizes may vary among manufacturers





NON-WATERTIGHT CONNECTORS - DIE CAST ZINC



Connectors for Oval Cable



Connectors for Oval or Round

CATALOG NUMBER	TRADE SIZE	NOMINAL CABLE SIZE	UNIT CTN. QTY.	SHIP CTN. QTY.	UPC BAR CODE
Connectors for Oval Cable – Die Cast Zinc					
2853	3/4"	3#8, 3#6	—	25	—
2854	1"	3#6, 3#4	—	25	—
2855	1-1/4"	3#6, 3#2	—	10	—
2856	1-1/2"	3#1/0, 3#2/0, 3#1	—	10	—
2858	2"	3#3/0, 3#4/0	—	10	—
Connectors for Oval or Round Cable – Die Cast Zinc					
2863	3/4"	3#10, 3#6, 2#6	50	500	—
2864	1"	3#6, 3#4	25	250	—

APPLICATIONS

- For use with underground feeder (UF) cable to provide a non-watertight connection to meters and enclosures

PRODUCT FEATURES

- Rugged metallic construction will last the life of the installation

COMPLIANCE

- - Standard 514B
U L Listed E195972, E195971



STRAPS - STEEL



One Hole Cable Strap

APPLICATION

- For use in mounting service entrance cable

PRODUCT FEATURES

- All steel construction provides durability of installation
- Electro zinc plated for added corrosion protection

CATALOG NUMBER	NOMINAL CABLE SIZES	UNIT CARTON QTY.	SHIP CARTON QTY.	UPC BAR CODE
Straps – Steel				
2441	3#8, 3#6	—	100	—
2442	3#4, 3#3, 3#2	—	100	—
2443	3#1, 3#1/0, 3#2/0	—	50	—
2444	3#3/0, 3#4/0	—	50	—

SEE END OF SECTION (PG B123) FOR DETAILED DRAWINGS >>



FITTINGS GROUNDING

GROUND CLAMPS - BRONZE ALLOY



For Bare Ground Wires



For Bare Armored Ground Wires

CATALOG NUMBER	PIPE SIZE	GROUNDING CONDUCTOR SIZE	UNIT CARTON QTY.	SHIP CARTON QTY.	UPC BAR CODE
For Bare Ground Wires – Bronze Alloy					
2504	1/2" - 1"	No. 2 Str. / No. 10 Sol.	—	25	—
2505	1-1/4" - 2"	No. 2 Str. / No. 10 Sol.	—	25	—
For Bare Armored Ground Wires – Bronze Alloy					
2507	1/2" - 1"	No. 6 Str. / No. 10 Sol.	—	25	—
2508	1-1/4" - 2"	No. 6 Str. / No. 10 Sol.	—	25	—



For 1/2" and 3/4" Rigid Conduit

CATALOG NUMBER	PIPE SIZE	GROUNDING CONDUCTOR SIZE	UNIT CARTON QTY.	SHIP CARTON QTY.	UPC BAR CODE
For 1/2" Rigid Conduit – Bronze Alloy					
2512	1/2" - 1"	No. 6 Str. / No. 10 Sol.	—	25	—
2522	1-1/4" - 2"	No. 6 Str. / No. 10 Sol.	—	25	—
For 3/4" Rigid Conduit – Bronze Alloy					
2513	1/2" - 1"	No. 2/0 Str. / No. 10 Sol.	—	25	—
2523	1-1/4" - 2"	No. 2/0 Str. / No. 10 Sol.	—	25	—



Intersystem Bonding Bridge
5 Connections

CATALOG NUMBER	GROUNDING CONDUCTOR RANGE	UNIT CARTON QTY.	SHIP CARTON QTY.	UPC BAR CODE
For Solid or Stranded Conductors – Zinc Body, Polycarbonate Cover				
RACIBB-5	#6 - #2 AWG & #14 - #4 AWG	—	6	
RACIBB	#6 - #2 AWG & #14 - #4 AWG	—	6	—

APPLICATIONS

- For use with grounding wire or conduit to water pipes or ground rods

PRODUCT FEATURES

- Bronze cast construction assures ground path continuity and provides corrosion resistance

COMPLIANCE

- - Standard 514B
U L FILE E195975

APPLICATIONS BONDING BRIDGE (RACIBB & RACIBB-5)

- For installing a grounding conductor with a lay-in style lug and multiple mounting holes for 5 total connections in a single location
- For residential and commercial locations

PRODUCT FEATURES

- Quick and easy installation
- Compact design
- U.V. stabilized polycarbonate cover that can be painted to match the aesthetics of the home or facility where installed
- Meets NEC Article 250.94 "Bonding for Other Systems"

COMPLIANCE

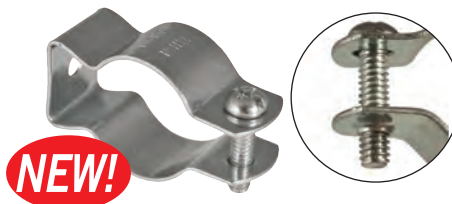
- - Standard 514B
U L LISTED E195975



CONDUIT HANGERS - STEEL



Conduit Hangers with Bolts



Conduit Hangers with Threaded Holes

APPLICATIONS

- For use in wet or dry locations to support runs of rigid/IMC and EMT conduit from ceilings and walls

PRODUCT FEATURES: HANGERS WITH BOLTS

- Furnished with nut and bolt to speed installation
- Pregalvanized finish provides corrosion protection

COMPLIANCES

- - Standard 514B (trade size 0-9)
- - Canada (trade size 0-9)

PRODUCT FEATURES: HANGERS WITH THREADED HOLE

- Hangers are supplied with a retained bolt and threaded hole eliminating the need for a nut
- The design allows for quick and easy installation using a screwdriver or nut driver
- Pregalvanized finish provides corrosion protection

COMPLIANCE

- US
- UL LISTED E195968

APPLICATIONS

- For use with hangers, bridle rings, and drop rods to support conduit from I-beams

PRODUCT FEATURES

- Rugged steel/malleable iron construction will last the lifetime of the installation
- Zinc electro plated for corrosion resistance

COMPLIANCE

- US
- UL FILE E195968

CATALOG NUMBER	TRADE SIZE	RIGID & IMC SIZE	EMT SIZE	SHIP CTN. QTY.	MAXIMUM LOAD LBS.	UPC BAR CODE
Conduit Hangers with Bolts – Steel						
2052	0	1/2"	1/2"	100	50	—
2053	1	3/4"	3/4"	100	50	—
2054	2	1"	1"	100	60	—
2041	2-1/2	—	1-1/4"	100	75	—
2055	3	1-1/4"	1-1/2"	100	80	—
2056	4	1-1/2"	—	100	80	—
2058	5	2"	2"	50	100	—
2057	6	2-1/2"	2-1/2"	25	125	—
2059	7	3"	3"	25	165	—
2060	8	3-1/2"	3-1/2"	10	200	—
2061	9	4"	4"	10	230	—
Conduit Hangers with Threaded Hole – Steel						
2052TH	0	1/2"	1/2"	100	50	—
2053TH	1	3/4"	3/4"	100	50	—
2054TH	2	1"	1"	100	60	—
2041TH	2-1/2	—	1-1/4"	100	75	—
2055TH	3	1-1/4"	1-1/2"	100	80	—
2056TH	4	1-1/2"	—	100	80	—
2058TH	5	2"	2"	50	100	—

BEAM CLAMPS - STEEL/MALLEABLE IRON



Beam Clamp - Steel*



Beam Clamps - Malleable Iron

CATALOG NUMBER	TRADE SIZE	INSIDE OPENING SIZE	MAX. LOAD LBS.	UNIT CTN. QTY.	SHIP CTN. QTY.	UPC BAR CODE
Beam Clamps – Steel/Malleable Iron						
2500*	1"	21/32"	50	—	100	—
2524	1"	27/32"	60	—	100	—
2536	1-1/2"	15/16"	60	—	50	—
2538	2"	1-3/16"	100	—	25	—
2510	2-1/2"	1-1/4"	200	—	25	—

* Catalog no. 2500 is steel.

SEE END OF SECTION (PG B125) FOR DETAILED DRAWINGS >>





NEW!

CONDUIT CLAMPS - GALVANIZED MALLEABLE IRON



Parallel Type



Edge Type



Right Angle Type

CATALOG NUMBER	TRADE SIZE	MAX. LOAD SUPPORT @10' SPACING INTERVALS (LBS.)	UNIT CTN. QTY.	SHIP CTN. QTY.	UPC BAR CODE
Parallel Conduit Clamps – Galvanized Malleable Iron					
2322PC	1/2"	50	—	50	—
2323PC	3/4"	50	—	50	—
2324PC	1"	60	—	50	—
2325PC	1-1/4"	75	—	25	—
2326PC	1-1/2"	80	—	25	—
2328PC	2"	100	—	25	—
2330PC	2-1/2"	125 - 160 @ 10' - 16'	—	25	—
2332PC	3"	165 @ 10' - 20'	—	5	—
2334PC*	3-1/2"	200 - 375 @ 10' - 20'	—	5	—
2336PC*	4"	230 - 470 @ 10' - 20'	—	5	—
Edge Conduit Clamps – Galvanized Malleable Iron					
2302EC	1/2"	50	—	25	—
2303EC	3/4"	50	—	25	—
2304EC	1"	60	—	25	—
2305EC	1-1/4"	75	—	25	—
2306EC	1-1/2"	80	—	25	—
2308EC	2"	100	—	25	—
2310EC	2-1/2"	125 - 160 @ 10' - 16'	—	25	—
2312EC	3"	165 @ 10' - 20'	—	5	—
Right Angle Conduit Clamps – Galvanized Malleable Iron					
2352RC	1/2"	50	—	50	—
2353RC	3/4"	50	—	50	—
2354RC	1"	60	—	50	—
2355RC	1-1/4"	75	—	25	—
2356RC	1-1/2"	80	—	25	—
2358RC	2"	100	—	25	—
2360RC	2-1/2"	125 - 160 @ 10' - 16'	—	10	—
2362RC	3"	165 @ 10' - 20'	—	5	—
2364RC	3-1/2"	200 - 375 @ 10' - 20'	—	5	—
2366RC	4"	230 - 470 @ 10' - 20'	—	5	—

APPLICATIONS

- To secure rigid metal conduit, IMC or EMT across, parallel or perpendicular to channel, beam and angle supports

PRODUCT FEATURES

- Three styles meet every installation need
- Heavy duty U-bolts, hex bolts and hex nuts
- Capable of supporting heavy loads
- Hot dipped galvanized malleable iron construction provides excellent weatherability and corrosion protection
- Perfect for commercial construction applications

COMPLIANCE

- UL LISTED E195968

KNOCKOUT SEALS - STEEL



Knockout Seals - One Piece



Knockout Seals - Two Piece*


APPLICATIONS

- For use in closing off unused openings in boxes or panelboards

PRODUCT FEATURES

- All steel construction provides installation integrity
- Zinc electroplated for added corrosion protection

COMPLIANCE

-  - Standard 514B (1037 - 1041)
UL Listed E195973

CATALOG NUMBER	TRADE SIZE	UNIT CTN. QTY.	SHIP CTN. QTY.	UPC BAR CODE
Knockout Seals, One Piece – Steel				
1042	1/2"	100	1000	—
1043	3/4"	100	1000	—
1044	1"	100	400	—
1045	1-1/4"	50	200	—
1046	1-1/2"	—	50	—
1048	2"	—	25	—
Knockout Seals, Two Piece – Steel				
1037	2-1/2"	—	10	—
1039	3"	—	10	—
1040	3-1/2"	—	10	—
1041	4"	—	10	—

*Two piece seals include two discs, bolt and nut in a poly bag.



CABLE PROTECTORS - STEEL



2709
Cable Protector Plates



2712 - 2713
PUZZLE-PLATES®

CATALOG NUMBER	CONTRACTOR PACK	PLATE LENGTH & THICKNESS	STANDARD PACKAGE	WEIGHT PER 100	UPC BAR CODE
Cable Protectors – Pre-galvanized Steel					
2709	—	2-9/16" Long, .0625" Thick	100	6.8	
2709-9	Yes	2-9/16" Long, .0625" Thick	100	6.8	*
2710	—	2-9/16" Long, .0625" Thick	200	6.8	—
PUZZLE-PLATE Cable Protectors – Pre-galvanized Steel					
2712**	—	2-3/4" Long, .051" Thick	100	5.3	
2712-9R	Yes	2-3/4" Long, .0625" Thick	50	6.5	—
2712-9**	Yes	2-3/4" Long, .051" Thick	50	5.3	—
2712R	—	2-3/4" Long, .0625" Thick	100	6.5	
2713**	—	5" Long, .051" Thick	50	10.0	
2713R	—	5" Long, .0625" Thick	50	12.2	

* Project pack sold as a UPC-A bar coded carton of 100.

** Not cULus listed.

APPLICATIONS

- Protects nonmetallic sheathed cable or raceway type wires running through wood studs from accidental nail, screw, or drill penetration. Also applies to plumbing to protect nonmetallic piping

PRODUCT FEATURES

- RACO's® Interlocking design of the PUZZLE-PLATE® cable protector does not allow nail or screw penetration through gaps or holes
- Pre-galvanized steel construction for added corrosion protection
- No additional hardware required, just position and hammer down spurs
- Unique PUZZLE-PLATE® interlocking feature allows installer to easily increase area that requires protection
- Contractor packs or individually bar coded pieces
- Made in USA

COMPLIANCE

- LISTED
- UL FILE E195968
- Canada Patent: 2,731,812



REDUCING WASHERS - STEEL



Reducing Washers

APPLICATIONS

- For use when a raceway is smaller in trade size than the trade size of the knockout it is intended to enter
- Use reducing washers in pairs. One inside and one outside the box or enclosure

PRODUCT FEATURES

- All steel construction provides installation integrity
- Reducing washer is stamped with trade size information for ease of product identification
- Zinc electroplated for added corrosion protection

CATALOG NUMBER	TRADE SIZE	DIMENSIONS		UNIT CTN. QTY.	SHIP CTN. QTY.	UPC BAR CODE
		A	B			
Reducing Washers – Steel						
1365	3/4" - 1/2"	1-1/4"	7/8"	200	1000	—
1366	1" - 1/2"	1-17/32"	7/8"	100	1000	—
1367	1" - 3/4"	1-17/32"	1-3/32"	100	1000	—
1368	1-1/4" - 1/2"	1-31/32"	7/8"	—	100	—
1369	1-1/4" - 3/4"	1-31/32"	1-3/32"	—	100	—
1370	1-1/4" - 1"	1-31/32"	1-3/8"	—	100	—
1371	1-1/2" - 1/2"	2-5/32"	7/8"	—	50	—
1372	1-1/2" - 3/4"	2-5/32"	1-3/32"	—	50	—
1373	1-1/2" - 1"	2-5/32"	1-3/8"	—	50	—
1374	1-1/2" - 1-1/4"	2-5/32"	1-3/4"	—	50	—
1375	2" - 1/2"	2-11/16"	7/8"	—	50	—
1376	2" - 3/4"	2-11/16"	1-3/32"	—	50	—
1377	2" - 1"	2-11/16"	1-3/8"	—	50	—
1378	2" - 1-1/4"	2-11/16"	1-3/4"	—	50	—
1379	2" - 1-1/2"	2-11/16"	1-31/32"	—	50	—
1380	2-1/2" - 1"	3-3/16"	1-3/8"	—	50	—
1381	2-1/2" - 1-1/4"	3-3/16"	1-3/4"	—	50	—
1382	2-1/2" - 1-1/2"	3-3/16"	1-31/32"	—	50	—
1383	2-1/2" - 2"	3-3/16"	2-15/32"	—	50	—
1384	3" - 1-1/4"	3-13/16"	1-3/4"	—	25	—
1385	3" - 1-1/2"	3-13/16"	1-31/32"	—	25	—
1386	3" - 2"	3-13/16"	2-15/32"	—	25	—
1387	3" - 2-1/2"	3-13/16"	3"	—	25	—
1389	3-1/2" - 2"	4-3/8"	2-15/32"	—	10	—
1390	3-1/2" - 2-1/2"	4-3/8"	3"	—	10	—
1391	3-1/2" - 3"	4-3/8"	3-5/8"	—	10	—
1392	4" - 2"	4-29/32"	2-15/32"	—	10	—
1393	4" - 2-1/2"	4-29/32"	3"	—	10	—
1394	4" - 3"	4-29/32"	3-5/8"	—	10	—

SEE END OF SECTION (PG B127) FOR DETAILED DRAWINGS >>





SEALING WASHERS - STEEL



Sealing Washers*

CATALOG NUMBER	TRADE SIZE	UNIT CARTON QTY.	SHIP CARTON QTY.	UPC BAR CODE
Sealing Washers* – Steel				
2452	1/2"	50	100	—
2452-8	1/2"	2 per bag	25 bags of 2	
2453	3/4"	25	50	—
2453-8	3/4"	2 per bag	20 bags of 2	
2454	1"	25	50	—
2454-8	1"	2 per bag	10 bags of 2	
2455	1-1/4"	5	25	—
2456	1-1/2"	5	25	—
2458	2"	5	25	—

* One-piece steel ring and neoprene gasket, raintight

APPLICATIONS

- For use whenever a positive seal is required between the shoulder of a fitting and an enclosure

PRODUCT FEATURES

- One piece construction assures proper installation - no need to worry about aligning multiple components
- Steel ring is zinc electro plated for added corrosion protection
- UPC bar coded fittings are individually polybagged with a preprinted UPC-A bar code and packaged in pre-scored tear top cartons for an attractive presentation

COMPLIANCES

- - Standard 514B
UL Listed E195973
- - C22.2 #18



NIPPLES - DIE CAST ZINC



3/4" Offset Nipples



Uninsulated Chase Nipples

APPLICATION FOR OFFSET NIPPLES

- For use when connecting two boxes or panels when the knockouts are not in line

PRODUCT FEATURE

- Rugged metallic construction provides mechanical protection for the conductors

COMPLIANCES

- - Standard 514B
U L LISTED E195969
- - C22.2 #18

APPLICATION FOR UNINSULATED NIPPLES

- For use with a conduit coupling to connect conduit to a box or, with a locknut to connect two boxes

PRODUCT FEATURES

- Rugged metallic construction

COMPLIANCES

- - Standard 514B
U L LISTED E195969
- - C22.2 #18

APPLICATION FOR ANTI-SHORT BUSHINGS

- Anti-short bushings are for use with Armored cable and Flexible Metal Conduit. The bushings protect the conductors during pulling from sharp cut ends of the conduit.

PRODUCT FEATURES

- Easy to use - just insert into the end of the conduit
- Lightweight, one-piece plastic construction resists corrosion
- Economical solution for preventing costly damage

CATALOG NUMBER	TRADE SIZE	UNIT CARTON QTY.	SHIP CARTON QTY.	UPC BAR CODE
3/4" Offset Nipples – Die Cast Zinc				
1452	1/2"	—	50	—
1453	3/4"	—	20	—
1454	1"	—	15	—
1455	1-1/4"	—	10	—
1456	1-1/2"	—	10	—
1458	2"	—	6	—
Uninsulated Chase Nipples – Die Cast Zinc				
1662	1/2"	100	1000	—
1663	3/4"	50	500	—
1664	1"	25	250	—
1665	1-1/4"	25	250	—
1666	1-1/2"	25	100	—
1668	2"	10	40	—
1670	2-1/2"	10	40	—
1672	3"	10	40	—
1674	3-1/2"	10	40	—
1676	4"	5	20	—

BUSHINGS



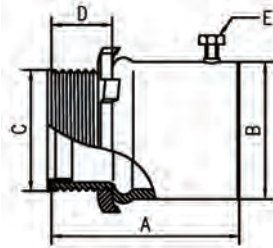
Anti-short Bushings

CATALOG NUMBER	TRADE SIZE	UNIT CARTON QTY.	SHIP CARTON QTY.	UPC BAR CODE
Anti-short Bushings – Plastic				
1440B35	5/16"	35	10 bags of 35	
1441B35	3/8"	35	10 bags of 35	
1447B35	7/16"	35	5 bags of 35	
1442B20	1/2"	20	5 bags of 20	
1443B16	3/4"	16	4 bags of 16	

SEE END OF SECTION (PG B128) FOR DETAILED DRAWINGS >>

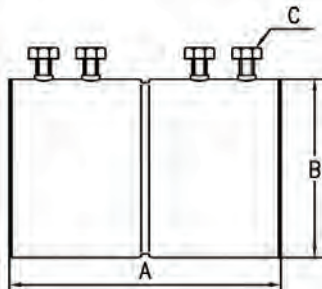


EMT CONNECTORS



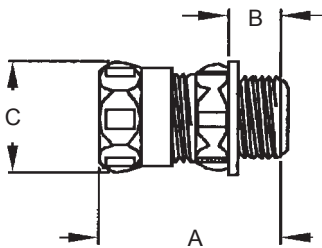
Set Screw Connectors - Steel

INSULATED CATALOG NO.	UNINSULATED CATALOG NO.	A	B WIDTH/HEIGHT	C	D	E
2122, 2122-8	2002, 2002-8	1.41"	0.85	1/2-14 NPSM	0.374"	#12-28NF
2123, 2123-8	2003, 2003-8	1.47"	1.08	3/4-14 NPSM	0.394"	#12-28NF
2124, 2124-8	2004, 2004-8					
2125	2005					
2126	2006					
2128	2008					
2160	2140					
2162RAC	2142					
2164	2144					
2166	2146					



Set Screw Couplings

CATALOG NUMBER	A	B	C
2022, 2022-8	1.57"	0.85"	#12-28NF
2023, 2023-8	1.92"	1.08"	#12-28NF
2024, 2024-8	2.40"	1.33"	#12-28NF
2025	3.03"	1.70"	1/4-28UNS
2026	3.38"	1.93"	1/4-28UNS
2028	3.70"	2.39"	1/4-28UNS
2150	4.09"	3.14"	1/4-24UNS
2152	4.33"	3.77"	1/4-24UNS
2154	4.52"	4.28"	1/4-24UNS
2156	4.72"	4.78"	1/4-24UNS



Compression Connectors - Steel

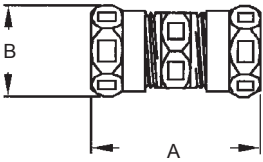
INSULATED CATALOG NUMBER	UNINSULATED CATALOG NUMBER	A	B	C
2912, 2912-8	2902, 2902-8	1.58"	0.46"	1.16"
2913, 2913-8	2903, 2903-8	1.79"	0.45"	1.38"
2914, 2914-8	2904, 2904-8	1.90"	0.56"	1.64"
2915	2905	2.10"	0.65"	2.04"
2916	2906	2.25"	0.70"	2.27"
2918	2908	2.40"	0.66"	2.74"
2960	2940	2.50"	0.81"	3.62"
2962	2942	2.62"	0.94"	4.25"
2964	2944	2.81"	1.00"	4.68"
2966	2946	2.81"	1.00"	5.18"
2912US	2902US	1.58"	0.46"	1.16"
2913US	2903US	1.79"	0.45"	1.38"
2914US	2904US	1.90"	0.56"	1.64"
2915US	2905US	2.10"	0.65"	2.04"
2916US	2906US	2.25"	0.70"	2.27"
2918US	2908US	2.40"	0.66"	2.74"
2960US	2940US	2.50"	0.81"	3.62"
2962US	2942US	2.62"	0.94"	4.25"
2964US	2944US	2.81"	1.00"	4.68"
2966US	2946US	2.81"	1.00"	5.18"

Compression Connectors, Raintight

2912RT	2902RT	1.58"	0.46"	1.16"
2913RT	2903RT	1.79"	0.45"	1.38"
2914RT	2904RT	1.90"	0.56"	1.64"
2915RT	2905RT	2.10"	0.65"	2.04"
2916RT	2906RT	2.25"	0.70"	2.27"
2918RT	2908RT	2.40"	0.66"	2.74"
2960RT	2940RT	2.50"	0.81"	3.62"
2962RT	2942RT	2.62"	0.94"	4.25"
2964RT	2944RT	2.81"	1.00"	4.68"
2966RT	2946RT	2.81"	1.00"	5.18"

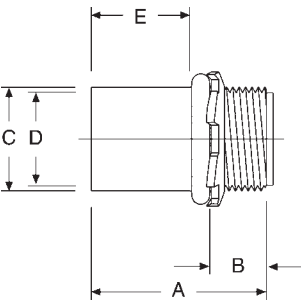


EMT CONNECTORS & COUPLINGS



Compression Couplings - Steel

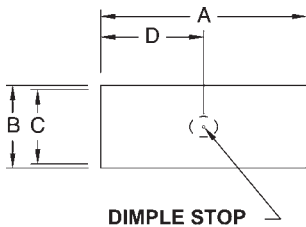
CATALOG NUMBER			A	B
2922, 2922-8	2922US	2922RT	2.00"	1.16"
2923, 2923-8	2923US	2923RT	2.15"	1.38"
2924, 2924-8	2924US	2924RT	2.32"	1.64"
2925	2925US	2925RT	2.50"	2.04"
2926	2926US	2926RT	2.78"	2.27"
2928	2928US	2928RT	2.88"	2.74"
2950	2950US	2950RT	3.87"	3.62"
2952	2952US	2952RT	4.00"	4.25"
2954	2954US	2954RT	4.68"	4.68"
2956	2956US	2956RT	4.93"	5.18"



Indenter Connectors

INSULATED CATALOG NUMBER	UNINSULATED CATALOG NUMBER	A	B	C	D	E
1992	1972	1-1/2"	11/32"	13/16"	23/32"	1"
1993	1973	1-35/64"	25/64"	1-1/64"	15/16"	1-1/16"

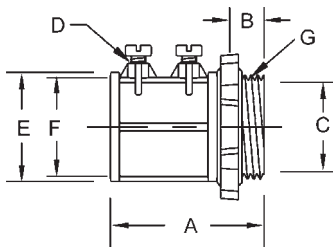
A = Overall length
 B = Thread length
 C = Body O.D.
 D = Body I.D.
 E = Length to conduit stop



Indenter Couplings

CATALOG NUMBER	A	B	C	D
1982	2"	3/16"	23/32"	31/32"
1983	2-1/4"	1-1/32"	15/16"	1-1/16"

A = Overall length
 B = O.D. of body
 C = I.D. of body
 D = Length to center stop

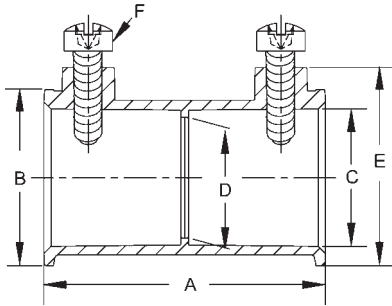


Connectors

INSULATED CATALOG NO.	UNINSULATED CATALOG NO.	A	B	C	D	E	F	G
2634	2602	1-5/32"	25/64"	39/64"	10-24 x 5/16"	15/16"	23/32"	1/2"-14
2635	2603	1-13/32"	15/32"	13/16"	10-24 x 5/16"	1-7/32"	15/16"	3/4"-14
2636	2604	1-35/64"	35/64"	1-1/32"	10-24 x 5/16"	1-27/64"	1-3/16"	1"-11-1/2
2637	2605	1-31/32"	5/8"	1-3/8"	12-24 x 3/8"	1-53/64"	1-35/64"	1-1/4"-11-12
2638	2606	2-13/64"	47/64"	1-19/32"	1/4-20 x 1/2"	2-3/64"	1-49/64"	1-1/2"-11-12
2639	2608	2-1/2"	3/4"	2-3/64"	1/4-20 x 1/2"	2-17/32"	2-15/64"	2"-11-12
2648	2640	3-3/32"	1-3/64"	2-33/64"	1/4-20 x 1/2"	3-19/64"	2-59/64"	2-1/2"-8
2649	2642	3-25/64"	1-1/16"	3-5/32"	1/4-20 x 1/2"	3-15/16"	3-9/16"	3"-8
2650	2644	3-9/16"	1-3/64"	3-19/32"	1/4-20 x 1/2"	4-7/16"	4-3/64"	3-1/2"-8
2651	2646	3-49/64"	1-1/8"	4-7/64"	1/4-20 x 1/2"	4-15/16"	4-37/64"	4"-8

A = Overall length
 B = Thread length
 C = Throat I.D.
 D = Screw size and length
 E = Body O.D.
 F = Body I.D.
 G = NPSM threads

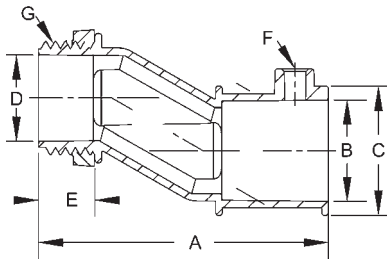
EMT CONNECTORS & COUPLINGS - DIE CAST ZINC



Couplings

CATALOG NUMBER	A	B	C	D	E	F
2622	1-1/2"	59/64"	23/32"	41/64"	1-3/64"	10-24 x 5/16"
2623	1-7/8"	1-9/64"	15/16"	55/64"	1-15/64"	10-24 x 5/16"
2624	2"	1-27/64"	1-3/16"	1-7/64"	1-17/32"	10-24 x 5/16"
2625	2-1/2"	1-53/64"	1-17/32"	1-7/16"	1-63/64"	12-24 x 3/8"
2626	2-7/8"	2-1/16"	1-49/64"	1-43/64"	2-13/64"	1/4-20 x 1/2"
2628	3-7/16"	2-35/64"	2-7/32"	2-1/8"	2-11/16"	1/4-20 x 1/2"
2670	4-1/64"	3-21/64"	2-29/32"	2-3/4"	3-11/32"	1/4-20 x 1/2"
2672	4-29/64"	3-15/16"	3-35/64"	3-27/64"	3-63/64"	1/4-20 x 1/2"
2674	4-15/16"	4-7/16"	3-35/64"	3-61/64"	4-31/64"	1/4-20 x 1/2"
2676	5-15/64"	4-15/16"	4-35/64"	4-13/32"	4-31/64"	1/4-20 x 1/2"

A = Overall length
 B = O.D. of body
 C = I.D. of body
 D = Center stop dia.
 E = Height of body
 F = Screw



Offset Connectors

CATALOG NUMBER	A	B	C	D	E	F	G
1762	2-3/32"	23/32"	13/16"	5/8"	13/32"	10-24 x 5/16"	1/2" - 14
1763	3-1/64"	15/16"	1-1/32"	55/64"	15/32"	10-24 x 5/16"	3/4" - 14

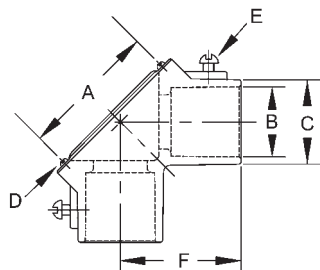
A = Overall length
 B = I.D. of body
 C = O.D. of body
 D = Throat I.D.
 E = Thread length
 F = Screw size and length
 G = Thread spec.

EMT HANDY ELLS

90 Degree Handy Ells - Couplings

CATALOG NUMBER	A	B	C	D	E	F
2752	1-1/2"	47/64"	15/16"	8-32 x 1/4"	10-32 x 5/16"	1-5/16"
2753	1-13/16"	15/16"	1-3/16"	8-32 x 1/4"	10-32 x 5/16"	1-13/32"
2754	2-51/64"	1-3/16"	1-35/64"	8-32 x 1/4"	1/4-20 x 1/2"	1-27/32"

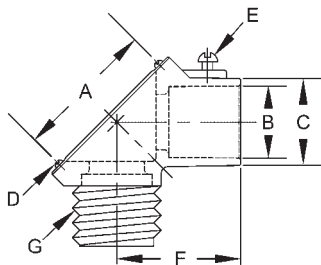
A = Distance between cover screws
 B = I.D. of body
 C = O.D. of body
 D = Screw size and length
 E = Set screw size
 F = Length



90 Degree Handy Ells - Connectors

CATALOG NUMBER	A	B	C	D	E	F	G
2762	1-1/2"	47/64"	15/16"	8-32 x 1/4"	10-32 x 5/16"	1-5/16"	1/2"-14 NPSM
2763	1-13/16"	15/16"	1-3/16"	8-32 x 1/4"	10-32 x 5/16"	1-13/32"	3/4"-14 NPSM

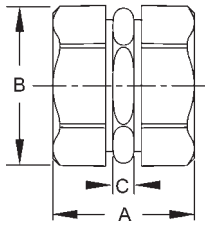
A = Distance between cover screws
 B = I.D. of body
 C = O.D. of body
 D = Screw size and length
 E = Set screw size
 F = Length to end of body
 G = Thread spec.





DETAILED DRAWINGS

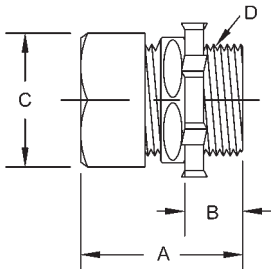
EMT COUPLINGS & CONNECTORS - DIE CAST ZINC



Compression Couplings

CATALOG NUMBER	A	B	C
2822	1-45/64"	29/32"	21/64"
2823	1-25/32"	1-7/64"	7/32"
2824	1-53/64"	1-13/32"	13/32"
2825	2-1/8"	1-25/32"	3/8"
2826	2-11/32"	2"	13/32"
2828	2-15/32"	2-13/32"	3/8"
2870	3-9/32"	3-5/32"	3/8"
2872	3-11/32"	3-13/16"	3/8"
2874	3-35/64"	4-9/32"	3/8"
2876	3-21/64"	4-3/4"	3/8"

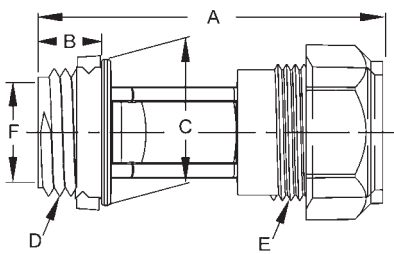
A = Overall length
 B = Compression nut O.D. across flats
 C = Body hex width



Compression Connectors

INSULATED CATALOG NO.	UNINSULATED CATALOG NO.	A	B	C	D
2832	2802	1-11/32"	9/16"	29/32"	1/2" - 14 NPSM
2833	2803	1-3/8"	9/16"	1-3/32"	3/4" - 14 NPSM
2834	2804	1-33/64"	23/32"	1-13/32"	1" - 11-1/2 NPSM
2835	2805	1-53/64"	49/64"	1-25/32"	1-1/4" - 11-1/2 NPSM
2836	2806	1-15/16"	49/64"	2-1/8"	1-1/2" - 11-1/2 NPSM
2838	2808	2-15/64"	59/64"	2-21/32"	2" - 11-1/2 NPSM
2890	2840	2-45/64"	1-11/64"	3-5/32"	2-1/2" - 8 NPSM
2892	2842	2-49/64"	1-13/64"	3-13/16"	3" - 8 NPSM
2894	2844	2-59/64"	1-15/64"	4-1/4"	3-1/2" - 8 NPSM
2896	2846	2-59/64"	1-15/64"	4-49/64"	4" - 8 NPSM

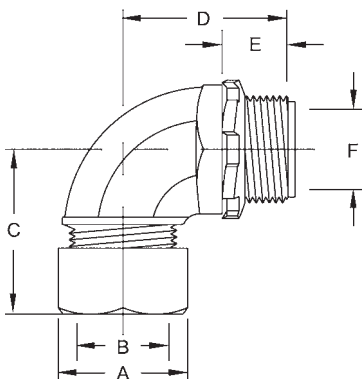
A = Overall length
 B = Thread length
 C = Compression nut across flats
 D = Threads NPSM



Compression Offset Connectors

CATALOG NUMBER	A	B	C	D	E	F
1952	2-5/32"	13/32"	15/16"	1/2" - 14	7/8" - 18-2A	5/8"
1953	2-15/16"	15/32"	1-5/32"	3/4" - 14	1-5/64" - 18-2A	25/32"

A = Overall length
 B = Thread length
 C = Threaded hub O.D.
 D = Threads NPSM
 E = Threads UNS
 F = Throat I.D.



MALLEABLE IRON

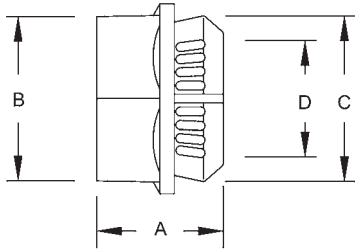
90 Degree Short Angle Connectors

CATALOG NUMBER	A	B	C	D	E	THREAD SPEC.	F
2072	1-1/8"	23/32"	1-9/32"	1-7/32"	1/2"	1/2" - 14 NPT	5/8"
2073	1-3/8"	15/32"	1-19/32"	1-15/32"	9/16"	3/4" - 14 NPT	13/16"

A = Compression nut O.D.
 B = Compression nut I.D.
 C = Length to end of nut
 D = Length to end of thread
 E = Thread length and thread spec.
 F = Throat I.D.



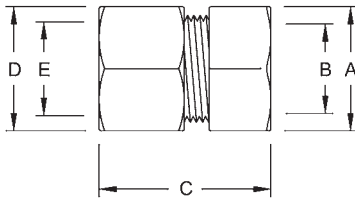
EMT CONNECTORS & COMBINATION COUPLINGS



Two-Piece Connectors

CATALOG NUMBER	A	B	C	D
2702	11/16"	1-3/64"	15/16"	39/64"
2703	13/16"	1-5/16"	1-5/32"	13/16"

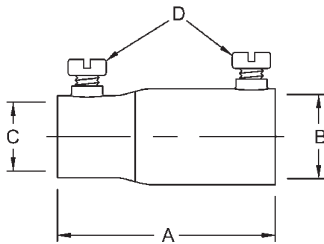
A = Overall length
 B = O.D. of nut
 C = O.D. of body
 D = I.D. of throat



EMT - Rigid - Couplings Threaded/Compression

CATALOG NUMBER	A	B	C	D	E
1352	1-5/32"	3/4"	1-11/32"	1-1/8"	23/32"
1353	1-7/16"	31/32"	1-17/32"	1-3/8"	15/16"
1354	1-21/32"	1-7/32"	1-5/8"	1-43/64"	1-11/64"

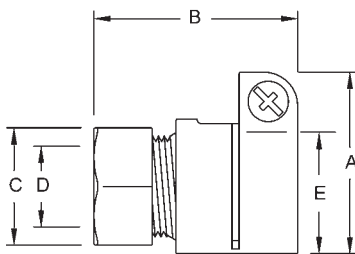
A = O.D. of hub
 B = Throat I.D.
 C = Overall length
 D = Nut O.D.
 E = Nut I.D.



EMT - Rigid Couplings Set Screw

CATALOG NUMBER	A	B	C	D
1432	2-13/64"	55/64"	23/32"	1/4-28 x 3/8" Pan Head
1433	2-21/32"	1-1/16"	59/64"	1/4-28 x 3/8" Pan Head
1434	3-5/64"	1-21/64"	1-11/64"	1/4-28 x 3/8" Pan Head

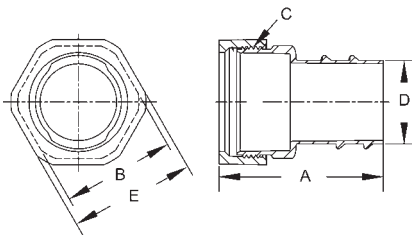
A = Overall length
 B = I.D. rigid side
 C = I.D. EMT side
 D = Screw spec.



EMT - Flex Couplings Squeeze/Compression

CATALOG NUMBER	A	B	C	D	E
1941	1-1/4"	1-5/16"	1-7/64"	23/32"	17/32" - 5/8"
1942, 1942-8	1-1/2"	1-3/4"	1-7/64"	23/32"	13/16" - 15/16"
1943, 1943-8	1-3/4"	1-53/64"	1-3/8"	15/16"	1-1/32" - 1-1/8"

A = Width across flex side
 B = Overall length
 C = Nut O.D.
 D = Nut I.D.
 E = Clamping range (flex side)

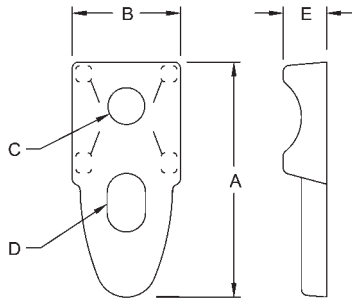


EMT - Rigid - Couplings Threaded/Compression

CATALOG NUMBER	A	B	C THREAD SPEC.	D	E
1482	1-21/32"	59/64"	7/8"-18 UNS	5/8"	31/32"
1483	1-51/64"	1-1/8"	1-5/64"-18 UNS	13/16"	1-7/32"
1484	1-63/64"	1-23/64"	1-23/64"-18 UNS	1"	1-33/64"

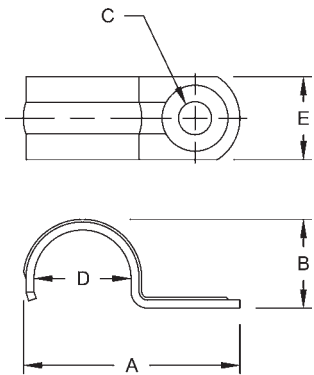
A = Overall length
 B = Body across flat
 C = Thread spec.
 D = Flex end O.D.
 E = Nut across flat

EMT CLAMPBACKS & STRAPS



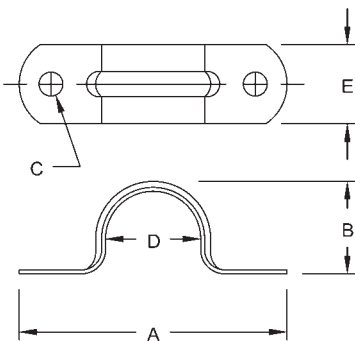
Clampbacks					
CATALOG NUMBER	A	B	C	D	E
1342	2-19/64"	1-1/32"	23/64"	3/8" x 9/16"	27/64"
1343	2-7/16"	1-11/64"	29/64"	27/64" x 21/32"	29/64"
1344	3-1/64"	1-17/64"	3/8"	33/64" x 23/32"	17/32"
1345	3-17/32"	1-19/32"	19/32"	1/2" x 47/64"	35/64"
1346	3-29/32"	1-39/64"	9/16"	9/16" x 15/16"	1/2"
1348	4-27/32"	1-63/64"	9/16"	37/64" x 25/32"	59/64"
1347	5-3/4"	2-13/32"	37/64"	39/64" x 1-1/4"	53/64"
1349	6-47/64"	2-5/8"	33/64"	19/32" x 1-15/64"	27/32"
1350	7-21/32"	3-17/64"	19/32"	43/64" x 1-7/64"	61/64"
1351	8-5/64"	3-7/16"	33/64"	7/8" x 1-19/64"	1-1/32"

A = Overall length
 B = Width
 C = Hole diameter
 D = Slot size
 E = Height



One Hole Push-on Straps					
CATALOG NUMBER	A	B	C	D	E
2082	1-5/8"	49/64"	1/4"	23/32"	5/8"
2083	2-3/16"	1"	9/32"	59/64"	5/8"
2084	2-9/16"	1-9/32"	9/32"	1-11/64"	3/4"
2085	3-1/8"	1-41/64"	9/32"	1-17/32"	7/8"
2086	3-5/8"	1-57/64"	11/32"	1-3/4"	1"
2088	4-7/16"	2-25/64"	11/32"	2-3/16"	1-1/8"
1337	5-5/16"	3-1/16"	21/32"	2-7/8"	1-1/4"
1339	6-1/16"	3-11/16"	21/32"	3-1/2"	1-1/4"
1340	6-7/8"	4-1/4"	21/32"	4"	1-1/4"
1341	7-3/8"	4-3/4"	21/32"	4-1/2"	1-1/4"

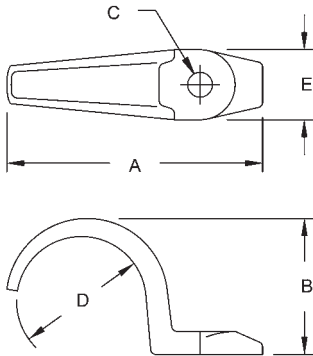
A = Overall length
 B = Height
 C = Hole size
 D = Diameter
 E = Width of strap



Two Hole Stamped Straps					
CATALOG NUMBER	A	B	C	D	E
2092	2.140"	.750"	.187"	.706"	.625"
2093	2.288"	1.015"	.187"	.922"	.625"
2094	2.750"	1.235"	.250"	1.163"	.750"
2095	3.520"	1.540"	.250"	1.510"	.750"
2096	3.770"	1.785"	.250"	1.740"	.750"
2098	4.453"	2.270"	.250"	2.147"	.750"
2239	5.720"	3.050"	.312"	2.875"	1.000"
2240	6.578"	3.670"	.312"	3.500"	1.000"
2241	7.156"	3.975"	.312"	4.000"	1.000"
2242	7.718"	4.700"	.312"	4.500"	1.000"

A = Overall length
 B = Height
 C = Hole size
 D = Diameter
 E = Width of strap

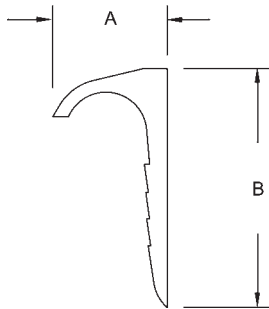
EMT CLAMPBACKS & STRAPS



One Hole Straps					
CATALOG NUMBER	A	B	C	D	E
1310	5-3/8"	3-1/32"	35/64"	2-7/8"	1-5/16"
1312	6-39/64"	3-25/32"	9/16"	3-1/2"	1-31/64"
1314	7-7/8"	4-13/32"	45/64"	4"	2"
1316	8-15/64"	4-27/32"	3/4"	4-1/2"	2"

A = Overall length
 B = Height
 C = Hole size
 D = Diameter
 E = Width of strap

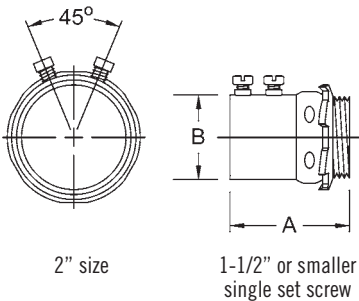
NAIL-UP STRAPS



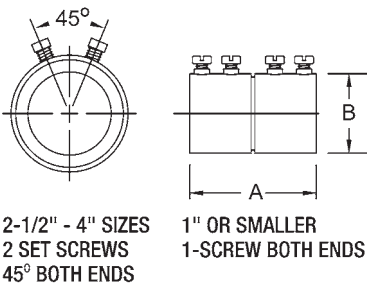
Nail-up Straps Stamped		
CATALOG NUMBER	A	B
2252	1-1/16"	2-3/16"
2253	1-1/4"	2-19/64"
2254	1-1/2"	2-13/32"

A = Width
 B = Height

RIGID AND IMC CONNECTORS & COUPLINGS



Set Screw Connectors			
CATALOG NUMBER	A	B	THREAD SPEC.
3002	1-1/8"	1-1/8"	1/2"-14 NPS
3003	1-1/4"	1-3/8"	3/4"-14 NPS
3004	1-1/2"	1-5/8"	1"-11-1/2 NPS
3005	1-3/4"	2"	1-1/4"-11-1/2 NPS
3006	1-7/8"	2-1/4"	1-1/2"-11-1/2 NPS
3008	2"	2-3/4"	2"-11-1/2 NPS

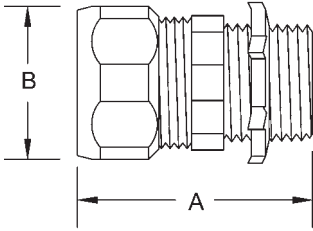


Set Screw Couplings		
CATALOG NUMBER	A	B
3022	1-1/2"	1-1/8"
3023	1-1/2"	1-3/8"
3024	1-7/8"	1-5/8"
3025	2-3/16"	2"
3026	2-5/8"	2-1/4"
3028	2-3/4"	2-3/4"

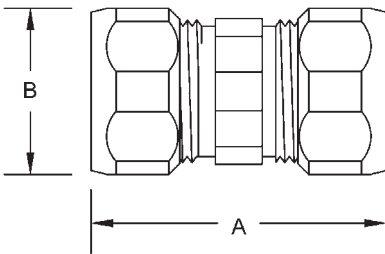
A = Overall length
 B = Body O.D.



RIGID COMPRESSION CONNECTORS



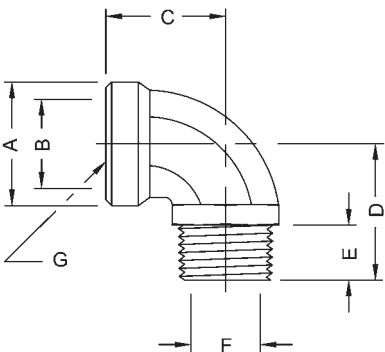
Connectors				
INSULATED CAT. NUMBER	UNINSULATED CAT. NUMBER	A	B	THREAD SPEC.
3802RAC	1802	1-11/32"	1-11/64"	1/2"-14 NPS
3803RAC	1803	1-31/64"	1-7/16"	3/4"-14 NPS
3804RAC	1804	1-37/64"	1-3/4"	1"-11-1/2 NPS
3805RAC	1805	1-55/64"	2-5/32"	1-1/4"-11-1/2 NPS
3806RAC	1806	1-15/16"	2-3/8"	1-1/2"-11-1/2 NPS
3808RAC	1808	2-7/32"	2-7/8"	2"-11-1/2 NPS
—	1810	4"	4-9/64"	2-1/2" - 8 NPS
—	1812	4-5/16"	4-23/32"	3" - 8 NPS
—	1814	4-3/8"	5-3/8"	3-1/2" - 8 NPS
—	1816	4-1/2"	5-29/32"	4" - 8 NPS



Couplings		
CATALOG NUMBER	A	B
1822	1-3/4"	1-3/16"
1823	1-13/16"	1-7/16"
1824	1-61/64"	1-3/4"
1825	2-21/32"	2-5/32"
1826	2-45/64"	2-3/8"
1828	2-15/16"	3-3/8"
1830	5-3/4"	3-15/16"
1832	5-3/4"	4-21/32"
1834	6"	5-13/64"
1836	6-13/16"	5-3/4"

A = Overall length
 B = Compression nut O.D.

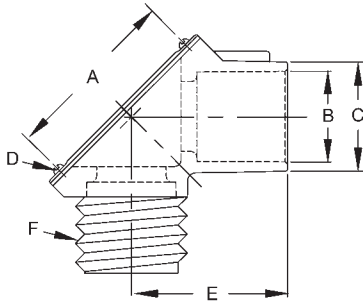
RIGID SHORT ELBOWS



90 Degree Short Elbows							
CATALOG NUMBER	A	B	C	D	E	F	G THREAD SPEC.
1722	1-5/64"	3/4"	1-1/16"	1-17/32"	1/2"	39/64"	1/2"-14 NPS
1723	1-9/32"	61/64"	1-9/32"	1-15/32"	9/16"	13/16"	3/4"-14 NPS

A = Hub O.D.
 B = Hub I.D.
 C = Length to end of hub
 D = Length to end of thread
 E = Thread length
 F = Throat I.D.
 G = Thread spec

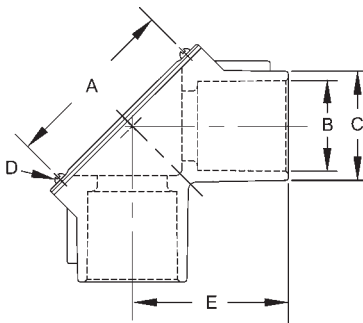
RIGID HANDY ELLS



90 Degree Handy Ells Threaded - Connectors

CATALOG NUMBER	A	B	C	D	E	F
2662	1-1/2"	1/2"-14 NPSM	1"	8 - 32 x 1/4"	1-5/16"	1/2"-14 NPSM
2663	1-13/16"	3/4"-14 NPSM	1-15/64"	8 - 32 x 1/4"	1-13/32"	3/4"-14 NPSM
2664RAC	2-51/64"	1"-11-1/2 NPSM	1-35/64"	8 - 32 x 1/4"	1-27/32"	1"-11-1/2 NPSM

- A = Distance between cover screws
- B = Threaded hub
- C = Body O.D.
- D = Screw size and length
- E = Length to end of body
- F = Threaded hub

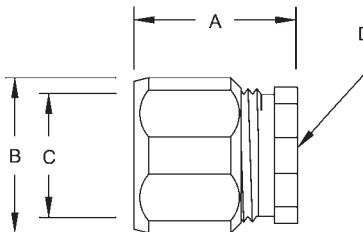


90 Degree Handy Ells Threaded - Couplings

CATALOG NUMBER	A	B	C	D	E
2652	1-1/2"	1/2"-14 NPSM	1"	8 - 32 x 1/4"	1-5/16"
2653	1-13/16"	3/4"-14 NPSM	1-15/64"	8 - 32 x 1/4"	1-13/32"
2654	2-51/64"	1"-11-1/2 NPSM	1-35/64"	8 - 32 x 1/4"	1-27/32"
2655	2-27/32"	1-1/4"-11-1/2 NPSM	1-59/64"	8 - 32 x 1/4"	2-1/64"

- A = Distance between cover screws
- B = Threaded hub
- C = Body O.D.
- D = Screw size and length
- E = Length to end of body

RIGID THREE-PIECE COUPLINGS



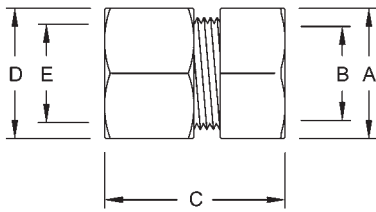
Three-Piece Couplings

CATALOG NUMBER	A	B	C	D THREAD SPEC.
1502	1-3/32"	1-7/32"	49/64"	1/2"-14 NPT
1503	1-1/8"	1-7/16"	31/32"	3/4"-14 NPT
1504	1-3/8"	1-3/4"	1-7/32"	1"-11-1/2 NPT
1505	1-11/16"	2-5/32"	1-9/16"	1-1/4"-11-1/2 NPT
1506	2-17/64"	2-3/4"	1-13/16"	1-1/2"-11-1/2 NPT
1508	2-13/32"	3-3/8"	2-9/32"	2"-11-1/2 NPT
1510	3-1/8"	4-1/16"	2-3/4"	2-1/2"- 8 NPT
1512	3-3/8"	4-17/32"	3-3/8"	3"- 8 NPT
1514	3-43/64"	5-3/16"	3-7/8"	3-1/2"- 8 NPT
1516	3-15/32"	5-3/4"	4-3/8"	4"- 8 NPT
1520	4-3/32"	6-3/4"	5-7/16"	5"- 8 NPT
1524	4-17/64"	8-1/16"	6-1/2"	6"- 8 NPT

- A = Overall length
- B = O.D. body
- C = I.D. body
- D = Thread size



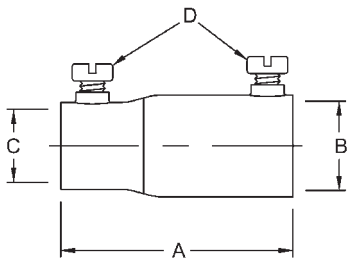
RIGID COMBINATION COUPLINGS



Rigid - EMT Couplings Threaded/Compression

CATALOG NUMBER	A	B	C	D	E
1352	1-5/32"	3/4"	1-7/16"	1-1/8"	23/32"
1353	1-3/8"	31/32"	1-17/32"	1-3/8"	15/16"
1354	1-21/32"	1-7/32"	1-5/8"	1-43/64"	1-11/64"

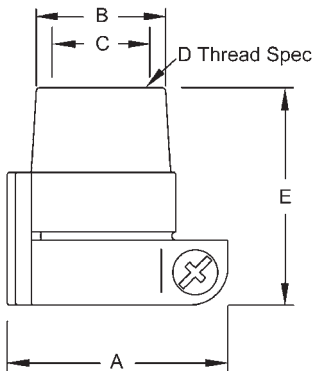
A = Nut O.D.
 B = Nut I.D.
 C = Overall length
 D = O.D. of Hub
 E = Throat I.D.



Rigid - EMT Couplings Set Screw

CATALOG NUMBER	A	B	C	D THREAD SPEC.
1432	2-13/64"	55/64"	23/32"	1/4-28 x 3/8" Pan Head
1433	2-21/32"	1-1/16"	59/64"	1/4-28 x 3/8" Pan Head
1434	3-1/16"	1-21/64"	1-11/64"	1/4-28 x 3/8" Pan Head

A = Overall length
 B = I.D. rigid side
 C = I.D. EMT side
 D = Screw spec

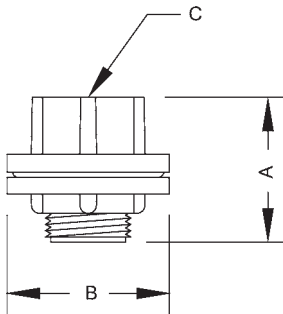


Rigid - Flex Couplings

CATALOG NUMBER	A	B	C	D THREAD SPEC.	E
1552	1-43/64"	1-13/64"	3/4"	1/2"-14 NPT	1-1/2"
1553	1-7/8"	1-23/64"	31/32"	3/4"-14 NPT	1-3/4"
1554	2-5/16"	1-21/32"	1-7/32"	1"-11-1/2 NPT	1-53/64"

A = Width across flex side
 B = Hub O.D.
 C = Hub I.D.
 D = Thread spec hub
 E = Overall length

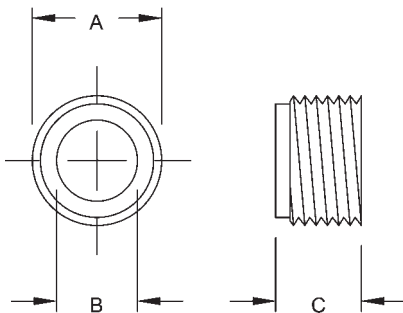
RIGID THREADED HUBS



Threaded Hubs Insulated Throat			
CATALOG NUMBER	A	B	C
1702	1.500"	1.437"	1/2"-14 NPT
1703	1.510"	1.685"	3/4"-14 NPT
1704	1.812"	1.921"	1"-11-1/2 NPT
1705	1.877"	2.370"	1-1/4"-11-1/2 NPT
1706	1.920"	2.745"	1-1/2"-11-1/2 NPT
1708	1.895"	3.236"	2"-11-1/2 NPT
1710	2.605"	3.708"	2-1/2"-8 NPT
1712	2.615"	4.370"	3"-8 NPT
1714	2.570"	4.941"	3-1/2"-8 NPT
1716	2.590"	5.450"	4"-8 NPT

A = Overall length
 B = O.D.
 C = Thread size

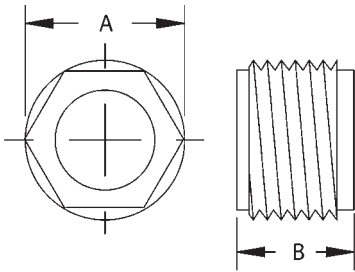
RIGID REDUCING BUSHINGS



Reducing Bushings					
CATALOG NUMBER	A	THREAD SPEC.	B	THREAD SPEC.	C
1141	13/16"	1/2"-14 NPS	1/2"	3/8"-18 NPS	17/32"
1142	1-1/64"	3/4"-14 NPS	39/64"	1/2"-14 NPS	9/16"
1143	1-9/32"	1"-11-1/2 NPS	39/64"	1/2"-14 NPS	5/8"
1144	1-9/32"	1"-11-1/2 NPS	13/16"	3/4"-14 NPS	5/8"
1145	1-5/8"	1-1/4"-11-1/2 NPS	39/64"	1/2"-14 NPS	11/16"
1146	1-5/8"	1-1/4"-11-1/2 NPS	13/16"	3/4"-14 NPS	11/16"
1147	1-5/8"	1-1/4"-11-1/2 NPS	1-3/64"	1"-11-1/2 NPS	11/16"
1148	1-7/8"	1-1/2"-11-1/2 NPS	39/64"	1/2"-14 NPS	23/32"
1149	1-7/8"	1-1/2"-11-1/2 NPS	13/16"	3/4"-14 NPS	23/32"
1150	1-7/8"	1-1/2"-11-1/2 NPS	1-3/64"	1"-11-1/2 NPS	23/32"
1151	1-7/8"	1-1/2"-11-1/2 NPS	1-11/32"	1-1/4"-11-1/2 NPS	23/32"
1152	2-21/64"	2"-11-1/2 NPS	39/64"	1/2"-14 NPS	27/32"
1153	2-21/64"	2"-11-1/2 NPS	1-13/16"	3/4"-14 NPS	27/32"
1154	2-21/64"	2"-11-1/2 NPS	1-3/64"	1"-11-1/2 NPS	27/32"
1155	2-21/64"	2"-11-1/2 NPS	1-11/32"	1-1/4"-11-1/2 NPS	27/32"
1156	2-21/64"	2"-11-1/2 NPS	1-19/32"	1-1/2"-11-1/2 NPS	27/32"

A = O.D./thread size
 B = Throat I.D./thread size
 C = Thickness

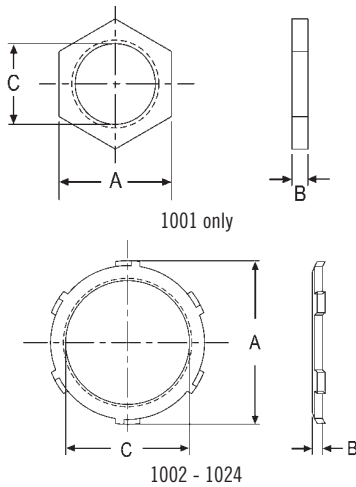
RIGID REDUCING BUSHINGS



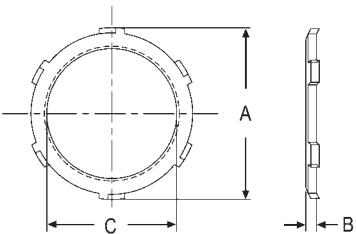
Reducing Bushings				
CATALOG NUMBER	A	THREAD SPEC.	B	THREAD SPEC.
1160	2-7/8"	2-1/2" - 8 NPT	1-5/16"	1-1/4" - 11-1/2 NPT
1161	2-7/8"	2-1/2" - 8 NPT	1-5/16"	1-1/2" - 11-1/2 NPT
1162	2-7/8"	2-1/2" - 8 NPT	1-5/16"	2" - 11-1/2 NPT
1168	3-7/16"	3" - 8 NPT	1-5/16"	2" - 11-1/2 NPT
1169	3-7/16"	3" - 8 NPT	1-9/16"	2-1/2" - 8 NPT
1175	4"	3-1/2" - 8 NPT	1-1/2"	2" - 11-1/2 NPT
1176	4"	3-1/2" - 8 NPT	1-9/16"	2-1/2" - 8 NPT
1177	4"	3-1/2" - 8 NPT	1-5/8"	3" - 8 NPT
1185	4-7/16"	4" - 8 NPT	1-9/16"	3" - 8 NPT
1186	4-7/16"	4" - 8 NPT	1-3/4"	3-1/2" - 8 NPT

A = O.D./thread size
B = Thickness

RIGID LOCKNUTS

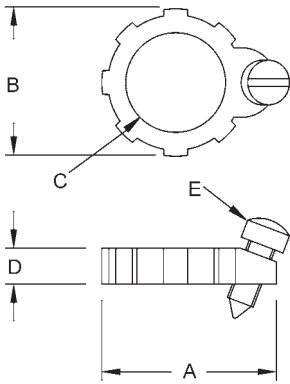


Locknuts			
CATALOG NUMBER	A	B	C
1001	0.850"	0.125"	3/8" NPSL - 18
1002	1.130"	0.125"	1/2" - 14
1003	1.390"	0.125"	3/4" - 14
1004	1.705"	0.170"	1" - 11.5
1005	2.065"	0.170"	1-1/4" - 11.5
1006	2.360"	0.170"	1-1/2" - 11.5
1008	2.860"	0.170"	2" - 11.5
1010	3.430"	0.170"	2-1/2" - 8
1012	4.110"	0.170"	3" - 8
1014	4.690"	0.170"	3-1/2" - 8
1016	5.265"	0.170"	4" - 8
1020	6.530"	0.314"	5" - 8
1024	7.850"	0.314"	6" - 8



Non-UL Locknuts			
CATALOG NUMBER	A	B	C
1192	1.13"	0.098"	1/2" - 14
1193	1.39"	0.098"	3/4" - 14
1194	1.70"	0.125"	1" - 11.5
1195	2.06"	0.125"	1-1/4" - 11.5
1196	2.36"	0.125"	1-1/2" - 11.5
1198	2.86"	0.125"	2" - 11.5
1197	3.43"	0.170"	2-1/2" - 8
1199	4.11"	0.170"	3" - 8
1200	4.69"	0.170"	3-1/2" - 8
1201	5.26"	0.170"	4" - 8
1219	6.53"	0.314"	5" - 8
1220	7.85"	0.314"	6" - 8

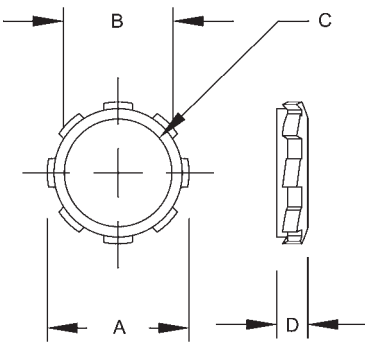
RIGID LOCKNUTS



Bonding Locknuts

CATALOG NUMBER	A	B	C THREAD SPEC.	D	E
1242	1.35"	1.04"	1/2"-14 NPT	.20"	6-32 x 1/2"
1243	1.58"	1.29"	3/4"-14 NPT	.20"	6-32 x 1/2"
1244	1.88"	1.59"	1"-11-1/2 NPT	.22"	6-32 x 1/2"
1245	2.30"	1.95"	1-1/4"-11-1/2 NPT	.23"	8-24 x 1/2"
1246	2.60"	2.23"	1-1/2"-11-1/2 NPT	.23"	8-24 x 1/2"
1248	3.09"	2.73"	2"-11-1/2 NPT	.26"	8-24 x 1/2"
1250	3.52"	3.31"	2-1/2"- 8 NPT	.45"	8-24 x 31/32"
1252	4.19"	4.00"	3"- 8 NPT	.45"	8-24 x 31/32"
1254	4.74"	4.52"	3-1/2"- 8 NPT	.45"	8-24 x 31/32"
1256	5.39"	5.05"	4"- 8 NPT	.45"	8-24 x 31/32"

A = Overall length
 B = O.D.
 C = Thread size
 D = Thickness
 E = Screw spec

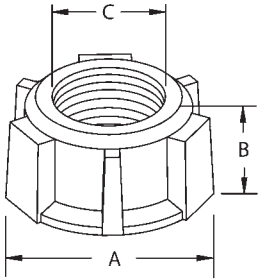


Sealing Locknuts

CATALOG NUMBER	A	B	C THREAD SPEC.	D
1202	1-9/64"	25/32"	1/2"-14 NPT	7/32"
1203	1-25/64"	63/64"	3/4"-14 NPT	15/64"
1204	1-23/32"	1-17/64"	1"-11-1/2 NPT	1/4"
1205	2-5/64"	1-37/64"	1-1/4"-11-1/2 NPT	9/32"
1206	2-3/8"	1-13/16"	1-1/2"-11-1/2 NPT	19/64"
1208	2-29/32"	2-5/16"	2"-11-1/2 NPT	19/64"
1207	3-15/32"	2-51/64"	2-1/2"- 8 NPT	5/16"
1209	4-3/16"	3-27/64"	3"- 8 NPT	3/8"
1210	4-11/16"	3-15/16"	3-1/2"- 8 NPT	3/8"
1211	5-9/32"	4-13/32"	4"- 8 NPT	3/8"

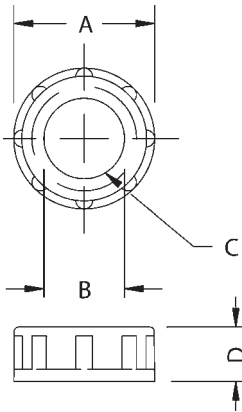
A = O.D.
 B = I.D.
 C = Thread size
 D = Thickness

RIGID BUSHINGS



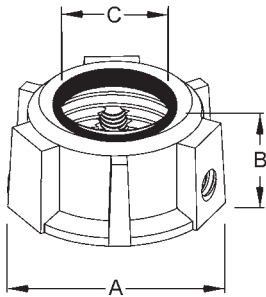
Bushings			
CATALOG NUMBER	A	B	C THROAT DIA.
1102RAC	1-5/32"	9/16"	5/8"
1103	1-13/32"	9-16"	53/64"
1104	1-3/4"	21/32"	1-1/32"
1105	2-1/8"	21/32"	1"
1106	2-11/32"	23/32"	1-39/64"
1108	2-23/32"	23/32"	2-3/64"
1110	3-9/32"	15/16"	2-29/64"
1112	3-7/8"	15/16"	3-3/64"
1114	4-13/32"	15/16"	3-17/32"
1116	4-29/32"	15/16"	4-1/16"

A = O.D.
 B = Thickness
 C = I.D.



Insulating Bushings				
CATALOG NUMBER	A	B	C THREAD SPEC.	D
1402	1-1/16"	19/32"	1/2"-14 NPT	23/64"
1403	1-19/64"	25/32"	3/4"-14 NPT	13/32"
1404	1-5/8"	1"	1"-11-1/2 NPT	31/64"
1405	1-61/64"	1-9/64"	1-1/4"-11-1/2 NPT	31/64"
1406	2-3/16"	1-33/64"	1-1/2"-11-1/2 NPT	31/64"
1408	2-41/64"	1-61/64"	2"-11-1/2 NPT	35/64"
1410	3-1/4"	2-21/64"	2-1/2"- 8 NPT	5/8"
1412	3-29/32"	2-29/32"	3"- 8 NPT	11/16"
1414	4-13/32"	3-11/32"	3-1/2"- 8 NPT	11/16"
1416	4-15/16"	3-53/64"	4"- 8 NPT	11/16"
1420	5-63/64"	4-15/16"	5"- 8 NPT	49/64"
1424	7-1/16"	5-15/16"	6"- 8 NPT	49/64"

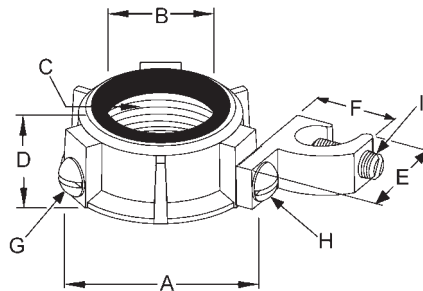
A = O.D.
 B = I.D.
 C = Thread size
 D = Thickness



Insulated Bushings			
CATALOG NUMBER	A	B	C THROAT DIA.
1132	1-5/32"	9/16"	37/64"
1133	1-13/32"	9/16"	49/64"
1134	1-3/4"	21/32"	31/32"
1135	2-1/8"	21/32"	1-9/32"
1136	2-11/32"	23/32"	1-1/2"
1138	2-23/32"	23/32"	1-61/64"
1126	3-9/32"	15/16"	2-19/64"
1127	3-7/8"	15/16"	2-29/32"
1128	4-13/32"	15/16"	3-3/8"
1129	4-29/32"	15/16"	3-55/64"

A = O.D.
 B = Thickness
 C = I.D.

RIGID INSULATED GROUNDING BUSHINGS



150 Degree Insulated Grounding Bushings - Lay-in Lug

CATALOG NUMBER	A	B	C	D	E	F	G SET SCREW	H PAN HEAD SCREW	I SET SCREW
1212	1-5/32"	9/16"	1/2"-14 NPS	37/64"	1-1/16"	3/8"	10-32 x 1/4"	10-32 x 1/4"	14-28 x 5/8"
1213	1-13/32"	9/16"	3/4"-14 NPS	3/4"	1-1/16"	3/8"	10-32 x 1/4"	10-32 x 1/4"	14-28 x 5/8"
1214	1-3/4"	21/32"	1"-11-1/2 NPS	31/32"	1-1/16"	3/8"	10-32 x 1/4"	10-32 x 1/4"	14-28 x 5/8"
1215	2-1/8"	21/32"	1-1/4"-11-1/2 NPS	1-9/32"	1-1/16"	3/8"	10-32 x 1/4"	10-32 x 1/4"	14-28 x 5/8"
1216	2-11/32"	23/32"	1-1/2"-11-1/2 NPS	1-1/2"	1-1/16"	3/8"	10-32 x 1/4"	10-32 x 1/4"	14-28 x 5/8"
1218	2-23/32"	23/32"	2"-11-1/2 NPS	1-61/64"	1-1/16"	3/8"	10-32 x 1/4"	10-32 x 1/4"	14-28 x 5/8"
1290	3-9/32"	15/16"	2-1/2"- 8 NPS	2-19/64"	1-1/2"	19/32"	10-32 x 5/16"	1/4-20 x 3/8"	3/8-24 x 7/8"
1292RAC	3-7/8"	15/16"	3"- 8 NPS	2-29/32"	1-1/2"	19/32"	10-32 x 5/16"	1/4-20 x 3/8"	3/8-24 x 7/8"
1294	4-13/32"	15/16"	3-1/2"- 8 NPS	3-3/8"	2-13/64"	51/64"	5/16-24 x 3/8"	5/16-24 x 17/32"	9/16-18 x 1-1/4"
1296	4-29/32"	15/16"	4"- 8 NPS	3-55/64"	2-13/64"	51/64"	5/16-24 x 7/16"	5/16-24 x 17/32"	9/16-18 x 1-1/4"
1262DC	1-5/32"	9/16"	1/2"-14 NPS	37/64"	1-1/16"	3/8"	10-32 x 1/4"	10-32 x 1/4"	14-28 x 5/8"
1263DC	1-13/32"	9/16"	3/4"-14 NPS	3/4"	1-1/16"	3/8"	10-32 x 1/4"	10-32 x 1/4"	14-28 x 5/8"
1264DC	1-3/4"	21/32"	1"-11-1/2 NPS	31/32"	1-1/16"	3/8"	10-32 x 1/4"	10-32 x 1/4"	14-28 x 5/8"

150 Degree Insulated Grounding Bushings - Feed-thru Lug

1222	1-5/32"	9/16"	1/2"-14 NPS	37/64"	1-1/16"	1/2"	10-32 x 1/4"	10-32 x 7/32"	14-28 x 3/8"
1223	1-13/32"	9/16"	3/4"-14 NPS	49/64"	1-1/16"	1/2"	10-32 x 1/4"	10-32 x 7/32"	14-28 x 3/8"
1224	1-3/4"	21/32"	1"-11-1/2 NPS	31/32"	1-1/16"	1/2"	10-32 x 1/4"	10-32 x 1/4"	14-28 x 3/8"
1225	2-1/8"	21/32"	1-1/4"-11-1/2 NPS	1-9/32"	1-1/16"	1/2"	10-32 x 1/4"	10-32 x 1/4"	14-28 x 3/8"
1226	2-11/32"	23/32"	1-1/2"-11-1/2 NPS	1-1/2"	1-1/16"	1/2"	10-32 x 1/4"	10-32 x 1/4"	14-28 x 3/8"
1228	2-23/32"	23/32"	2"-11-1/2 NPS	1-61/64"	1-1/16"	1/2"	10-32 x 1/4"	10-32 x 1/4"	14-28 x 3/8"
1230	3-9/32"	15/16"	2-1/2"- 8 NPS	2-19/64"	1-15/32"	5/8"	5/16-24 x 3/8"	5/16-24 x 3/8"	7/16-20 x 3/8"
1232RAC	3-7/8"	15/16"	3"- 8 NPS	2-29/32"	1-15/32"	5/8"	5/16-24 x 3/8"	5/16-24 x 3/8"	7/16-20 x 3/8"
1234	4-13/32"	15/16"	3-1/2"- 8 NPS	3-3/8"	1-3/4"	27-32"	5/16-24 x 3/8"	5/16-24 x 27/64"	5/8-18 x 11/16"
1236	4-29/32"	15/16"	4"- 8 NPS	3-55/64"	1-3/4"	27-32"	5/16-24 x 7/16"	5/16-24 x 27/64"	5/8-18 x 11/16"

A = O.D.

B = I.D.

C = Thread size

D = Thickness

E = Height of lug

F = Width of lug

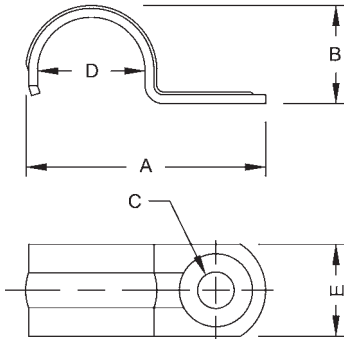
G = Screw spec, bonding screw

H = Screw spec, screw that holds lug to bushing

I = Screw spec, screw that holds ground wire

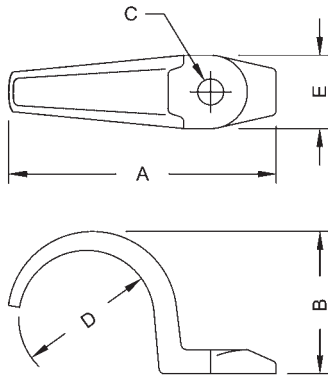


RIGID STRAPS



One Hole Push-on Straps

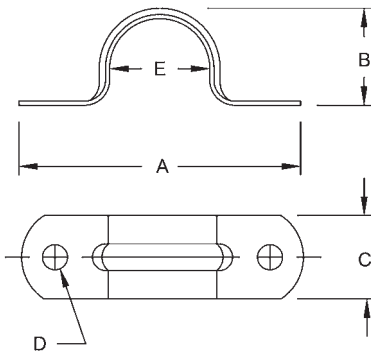
CATALOG NUMBER	A	B	C	D	E
1332	1-59/64"	7/8"	9/32"	55/64"	7/8"
1333	2-5/16"	1-3/32"	9/32"	1-1/16"	3/4"
1334	2-11/16"	1-1/4"	9/32"	1-5/16"	3/4"
1335	3-1/8"	1-5/8"	11/32"	1-5/8"	7/8"
1336	3-27/32"	1-7/8"	13/32"	1-15/16"	7/8"
1338	4-9/16"	2-7/16"	13/32"	2-3/8"	7/8"
1337	5-5/16"	3"	21/32"	2-7/8"	1-1/4"
1339	6-1/16"	3-9/16"	21/32"	3-1/2"	1-1/4"
1340	6-7/8"	3-7/8"	21/32"	4"	1-1/4"
1341	7-3/8"	4-1/4"	21/32"	4-1/2"	1-1/4"



One Hole Straps

CATALOG NUMBER	A	B	C	D	E
1301	1-7/8"	25/32"	11/32"	11/16"	21/32"
1302	2-1/64"	31/32"	9/32"	27/32"	5/8"
1303	2-7/32"	1-1/32"	5/16"	1-1/16"	3/4"
1304	2-23/32"	1-5/16"	23/64"	1-5/16"	29/32"
1305	3-1/32"	1-25/32"	13/32"	1-21/32"	51/64"
1306	3-27/32"	2-5/64"	27/64"	1-29/32"	1-1/16"
1308	4-1/2"	2-35/64"	9/16"	2-3/8"	1-13/32"
1310	5-3/8"	3-1/32"	35/64"	2-7/8"	1-5/16"
1312	6-39/64"	3-25/32"	9/16"	3-1/2"	1-31/64"
1314	7-7/8"	4-13/32"	45/64"	4"	2"
1316	8-15/64"	4-27/32"	3/4"	4-1/2"	2"

A = Overall length
 B = Height
 C = Hole size
 D = Diameter
 E = Width of strap

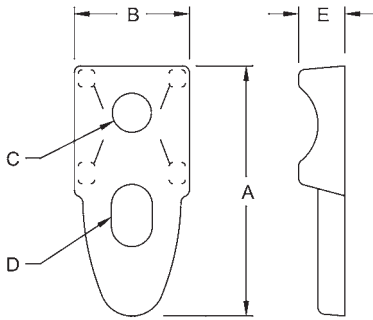


Two Hole Straps

CATALOG NUMBER	A	B	C	D	E
2232	2-9/16"	7/8"	19/32"	3/16"	13/16"
2233	2-3/8"	1-1/8"	19/32"	3/16"	1-1/16"
2234	2-15/16"	1-31/32"	23/32"	1/4"	1-5/16"
2235	3-3/4"	1-11/16"	23/32"	1/4"	1-21/32"
2236	4-1/8"	1-7/8"	23/32"	1/4"	1-7/8"
2238	5"	2-7/16"	23/32"	17/64"	2-3/8"
2239	5-3/4"	3-1/8"	1"	5/16"	2-7/8"
2240	6-23/32"	3-11/16"	1"	5/16"	3-35/64"
2241	7-1/2"	3-15/16"	1"	5/16"	4-3/64"
2242	7-7/8"	4-11/16"	1"	5/16"	4-35/64"
2245-2	10-11/16"	5-43/64"	1-1/4"	21/32"	5-49/64"
2246-2	12-9/64"	6-19/32"	1-1/4"	21/32"	7"

A = Overall length
 B = Overall height
 C = Strap width
 D = Hole diameter
 E = Diameter

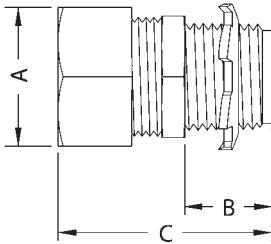
RIGID CLAMPBACKS



Clamp Backs					
CATALOG NUMBER	A	B	C	D	E
1342	2-19/64"	1-1/32"	23/64"	3/8" x 9/16"	27/64"
1343	2-7/16"	1-11/64"	29/64"	27/64" x 21/32"	29/64"
1344	3-1/64"	1-17/64"	3/8"	33/64" x 23/32"	17/32"
1345	3-17/32"	1-19/32"	19/32"	1/2" x 47/64"	35/64"
1346	3-29/32"	1-39/64"	9/16"	9/16" x 15/16"	1/2"
1348	4-27/32"	1-63/64"	9/16"	37/64" x 25/32"	59/64"
1347	5-3/4"	2-13/32"	37/64"	39/64" x 1-1/4"	53/64"
1349	6-47/64"	2-5/8"	33/64"	19/32" x 1-15/64"	27/32"
1350	7-21/32"	3-17/64"	19/32"	43/64" x 1-7/64"	61/64"
1351	8-5/64"	3-7/16"	33/64"	7/8" x 1-19/64"	1-1/32"

A = Overall length
 B = Width
 C = Hole diameter
 D = Slot size
 E = Height

LIQUIDTIGHT CONDUIT AND CORD CONNECTORS

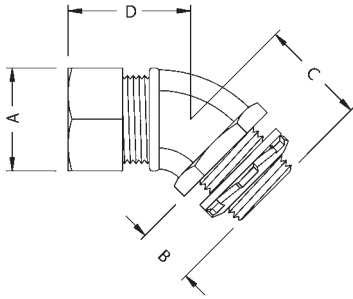


Straight Connectors					
INSULATED CATALOG NO.	UNINSULATED CATALOG NO.	A	B	THREAD SPEC.	C
3511RAC	—	1-1/16"	1/2"	1/2"-14 NPT	1-29/64"
—	3401	1-1/16"	1/2"	1/2"-14 NPT	1-29/64"
—	3401-8	1-1/16"	1/2"	1/2"-14 NPT	1-29/64"
3512RAC	3402	1-3/16"	1/2"	1/2"-14 NPT	1-15/32"
3512-8	3402-8	1-3/16"	1/2"	1/2"-14 NPT	1-15/32"
3513RAC	3403	1-13/32"	9/16"	3/4"-14 NPT	1-31/64"
3513-8	3403-8	1-13/32"	9/16"	3/4"-14 NPT	1-31/64"
3514RAC	3404	1-45/64"	19/32"	1"-11-1/2 NPT	1-51/64"
3514-8	3404-8	1-45/64"	19/32"	1"-11-1/2 NPT	1-51/64"
3515RAC	3405	2-3/16"	43/64"	1-1/4"-11-1/2 NPT	1-7/8"
3516	3406	2-13/32"	47/64"	1-1/2"-11-1/2 NPT	2-11/64"
3518	3408	3-1/32"	21/32"	2"-11-1/2 NPT	2-9/32"
3520	3410	3-5/8"	1"	2-1/2"- 8 NPT	3-5/16"
3522	3412	3-3/8"	1-3/64"	3"- 8 NPT	3-1/2"
3524	3414	3-31/32"	1-1/8"	3-1/2"- 8 NPT	3-5/8"
3526	3416	5-35/64"	1-5/32"	4"- 8 NPT	3-5/8"

A = Nut Flats
 B = Thread length and thread spec.
 C = Overall Length

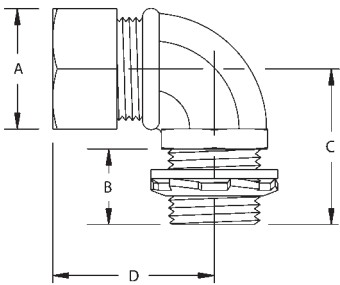


LIQUIDTIGHT CONDUIT AND CORD CONNECTORS



45 Degree Connectors

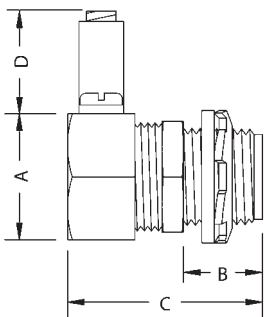
INSULATED CATALOG NO.	UNINSULATED CATALOG NO.	A	B	THREAD SPEC.	C	D
3561	3441	1-1/16"	17/32"	1/2"-14 NPT	1-3/8"	1-1/32"
3562	3442	1-3/16"	9/16"	1/2"-14 NPT	1-1/4"	1-1/16"
3563	3443	1-13/32"	19/32"	3/4"-14 NPT	1-21/32"	1-3/16"
3564	3444	1-45/64"	5/8"	1"-11-1/2 NPT	1-21/32"	1-13/32"
3565	3445	2-3/16"	23/32"	1-1/4"-11-1/2 NPT	1-13/16"	1-1/2"
3566	3446	2-3/8"	47/64"	1-1/2"-11-1/2 NPT	2"	1-9/16"
3568	3448	3-1/32"	49/64"	2"-11-1/2 NPT	2-3/8"	1-3/4"



90 Degree Connectors

INSULATED CATALOG NO.	UNINSULATED CATALOG NO.	A	B	THREAD SPEC.	C	D
3541RAC	3421	1-3/64"	35/64"	1/2"-14 NPT	1-3/8"	1-7/16"
—	3421-8	1-3/64"	35/64"	1/2"-14 NPT	1-3/8"	1-7/16"
3542	3422	1-11/64"	9/16"	1/2"-14 NPT	1-13/32"	1-5/8"
3542-8	3422-8	1-11/64"	9/16"	1/2"-14 NPT	1-13/32"	1-5/8"
3543	3423	1-13/32"	37/64"	3/4"-14 NPT	1-5/8"	1-7/8"
3543-8	3423-8	1-13/32"	37/64"	3/4"-14 NPT	1-5/8"	1-7/8"
3544	3424	1-45/64"	41/64"	1"-11-1/2 NPT	1-15/16"	2-1/8"
3544-8	3424-8	1-45/64"	41/64"	1"-11-1/2 NPT	1-15/16"	2-1/8"
3545	3425	2-3/16"	21/32"	1-1/4"-11-1/2 NPT	2-1/64"	2-1/4"
3546	3426	2-13/32"	49/64"	1-1/2"-11-1/2 NPT	2-1/4"	2-5/8"
3548	3428	3-1/32"	3/4"	2"-11-1/2 NPT	2-15/32"	3"
3550	3430	3-45/64"	1-1/32"	2-1/2"- 8 NPT	3-11/32"	5"
3552	3432	4-13/32"	1-1/16"	3"- 8 NPT	4-25/32"	5-7/16"
3556	3436	5-17/32"	1-3/16"	4"- 8 NPT	5-15/64"	6"

A = Nut Flats
 B = Thread length and thread spec.
 C = Thread to bend
 D = Nut to bend



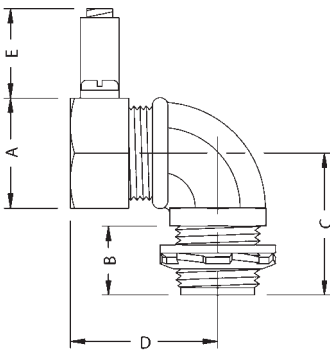
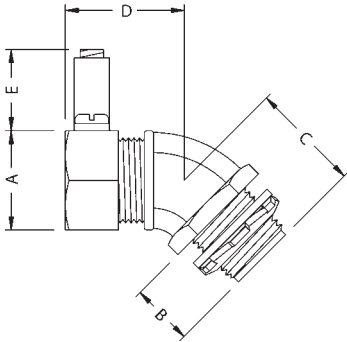
Straight Connectors with Ground Lug

INSULATED CATALOG NO.	A	B	THREAD SPEC.	C	D
3511-3	1-1/16"	1/2"	1/2"-14 NPT	1-29/64"	25/32"
3512-3	1-3/16"	1/2"	1/2"-14 NPT	1-15/32"	25/32"
3513-3	1-13/32"	9/16"	3/4"-14 NPT	1-31/64"	25/32"
3514-3	1-45/64"	19/32"	1"-11-1/2 NPT	1-51/64"	25/32"
3515-3	2-3/16"	43/64"	1-1/4"-11-1/2 NPT	1-7/8"	25/32"
3516-3	2-13/32"	47/64"	1-1/2"-11-1/2 NPT	2-11/64"	25/32"
3518-3	3-1/32"	21/32"	2"-11-1/2 NPT	2-9/32"	25/32"
3520-3	3-5/8"	1"	2-1/2"- 8 NPT	3-5/16"	1-11/64"
3522-3	3-3/8"	1-3/64"	3"- 8 NPT	3-1/2"	1-11/64"
3524-3	3-31/32"	1-1/8"	3-1/2"- 8 NPT	3-5/8"	1-13/16"
3526-3	5-35/64"	1-5/32"	4"- 8 NPT	3-5/8"	1-13/16"

A = Nut Flats
 B = Thread length and thread spec.
 C = Overall length
 D = Lug height



LIQUIDTIGHT CONDUIT AND CORD CONNECTORS



45 Degree Insulated Connectors with Ground Lug

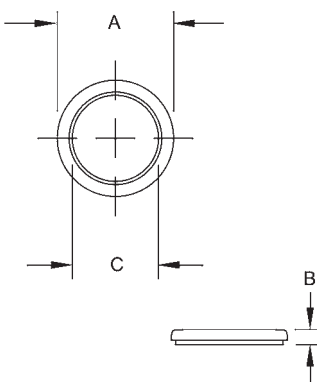
INSULATED CATALOG NO.	A	B	THREAD SPEC.	C	D	E
3561-3	1-1/16"	17/32"	1/2"-14 NPT	1-3/8"	1-1/32"	25/32"
3562-3	1-3/16"	9/16"	1/2"-14 NPT	1-1/4"	1-1/16"	25/32"
3563-3	1-13/32"	19/32"	3/4"-14 NPT	1-21/32"	1-3/16"	25/32"
3564-4	1-45/64"	5/8"	1"-11-1/2 NPT	1-21/32"	1-13/32"	25/32"
3565-3	2-3/16"	23/32"	1-1/4"-11-1/2 NPT	1-13/16"	1-1/2"	25/32"
3566-3	2-3/8"	47/64"	1-1/2"-11-1/2 NPT	2"	1-9/16"	25/32"
3568-3	3-1/32"	49/64"	2"-11-1/2 NPT	2-3/8"	1-3/4"	25/32"

90 Degree Insulated Connectors with Ground Lug

INSULATED CATALOG NO.	A	B	THREAD SPEC.	C	D	E
3541-3	1-3/64"	35/64"	1/2"-14 NPT	1-3/8"	1-7/16"	25/32"
3542-3	1-11/64"	9/16"	1/2"-14 NPT	1-13/32"	1-5/8"	25/32"
3543-3	1-13/32"	37/64"	3/4"-14 NPT	1-5/8"	1-7/8"	25/32"
3544-3	1-45/64"	41/64"	1"-11-1/2 NPT	1-15/16"	2-1/8"	25/32"
3545-3	2-3/16"	21/32"	1-1/4"-11-1/2 NPT	2-1/64"	2-1/4"	25/32"
3546-3	2-13/32"	49/64"	1-1/2"-11-1/2 NPT	2-1/4"	2-5/8"	25/32"
3548-3	3-1/32"	3/4"	2"-11-1/2 NPT	2-15/32"	3"	25/32"
3550-3	3-45/64"	1-1/32"	2-1/2"- 8 NPT	3-11/32"	5"	1-11/64"
3552-3	4-13/32"	1-1/16"	3"- 8 NPT	4-25/32"	5-7/16"	1-11/64"
3556-3	5-17/32"	1-3/16"	4"- 8 NPT	5-15/64"	6"	1-13/64"

- A = Nut Flats
- B = Thread length and thread spec.
- C = Thread to bend
- D = Nut to bend
- E = Lug height

SEALING WASHERS



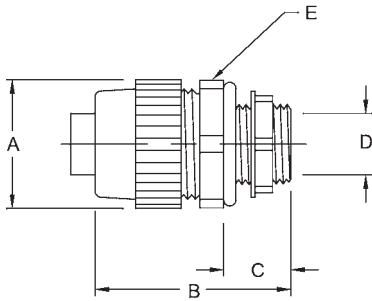
Sealing Washers - Steel

CATALOG NUMBER	A	B	C
2452	1-5/64"	5/64"	51/64"
2452-8	1-5/64"	5/64"	51/64"
2453	1-11/32"	5/32"	1"
2453-8	1-11/32"	5/32"	1"
2454	1-5/8"	11/64"	1-1/4"
2454-8	1-5/8"	11/64"	1-1/4"
2455	2"	11/64"	1-39/64"
2456	2-23/64"	3/16"	1-27/32"
2458	2-53/64"	3/16"	2-5/16"

- A = O.D.
- B = Thickness
- C = I.D.



LIQUIDTIGHT CONDUIT AND CORD CONNECTORS

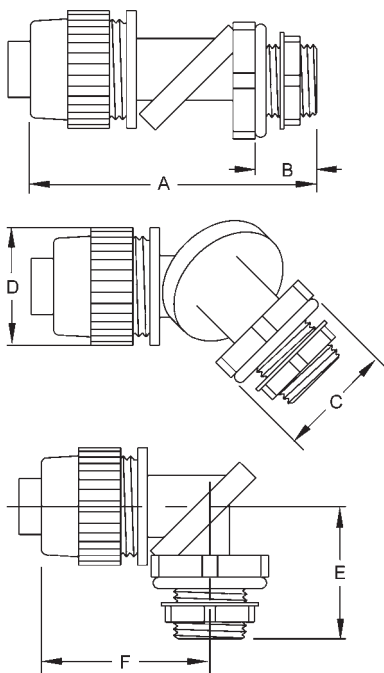


Straight Connectors - Nylon - For Type B Conduit

CATALOG NUMBER	A	B	C	D	E	
					A/C*	A/F**
4721	1.14"	1.63"	.57"	.42"	1.41"	1.30"
4722	1.30"	2.14"	.57"	.55"	1.41"	1.30"
4722-8	1.30"	2.14"	.57"	.55"	1.41"	1.30"
4723	1.53"	2.22"	.58"	.74"	1.85"	1.53"
4723-8	1.53"	2.22"	.58"	.74"	1.85"	1.53"
4724	1.80"	2.32"	.72"	.96"	1.94"	1.80"
4724-8	1.80"	2.32"	.72"	.96"	1.94"	1.80"
4725	2.20"	2.15"	.74"	1.30"	2.38"	2.18"
4726	2.49"	2.35"	.76"	1.46"	2.63"	2.43"
4728	3.05"	2.51"	.79"	1.90"	3.13"	2.93"

Straight Connectors - Nylon - For Extra Flexible Tubing

CATALOG NUMBER	A	B	C	D	E	
					A/C*	A/F**
4741	1.14"	1.63"	.57"	.42"	1.41"	1.30"
4742	1.30"	2.14"	.57"	.55"	1.41"	1.30"
4743	1.53"	2.22"	.58"	.74"	1.85"	1.53"
4744	1.80"	2.32"	.72"	.96"	1.94"	1.80"
4745	2.20"	2.15"	.74"	1.30"	2.38"	2.18"
4746	2.49"	2.35"	.76"	1.46"	2.63"	2.43"
4748	3.05"	2.51"	.79"	1.90"	3.13"	2.93"



SWIVEL LOK® Multi Position Connectors - Nylon - For Extra Flexible Tubing

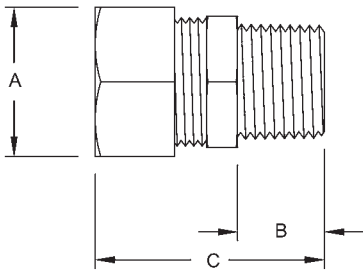
CATALOG NUMBER	A	B	C		D	E	F
			A/C*	A/F**			
4731	3.27"	.57"	1.41"	1.30"	1.30"	1.43"	2.00"
4732	3.27"	.57"	1.41"	1.30"	1.30"	1.43"	2.00"
4732-8	3.27"	.57"	1.41"	1.30"	1.30"	1.43"	2.00"
4733	3.66"	.58"	1.65"	1.53"	1.53"	1.59"	2.23"
4733-8	3.66"	.58"	1.65"	1.53"	1.53"	1.59"	2.23"
4734	4.00"	.72"	1.94"	1.80"	1.80"	1.84"	2.30"
4734-8	4.00"	.72"	1.94"	1.80"	1.80"	1.84"	2.30"

SWIVEL LOK® Multi Position Connectors - Nylon for Extra Flexible Tubing

CATALOG NUMBER	A	B	C		D	E	F
			A/C*	A/F**			
4751	3.27"	.57"	1.41"	1.30"	1.30"	1.43"	2.00"
4752	3.27"	.57"	1.41"	1.30"	1.30"	1.43"	2.00"
4753	3.66"	.58"	1.65"	1.53"	1.53"	1.59"	2.23"
4754	4.00"	.72"	1.94"	1.80"	1.80"	1.84"	2.30"

*A/C = Across corners
 **A/C = Across flats

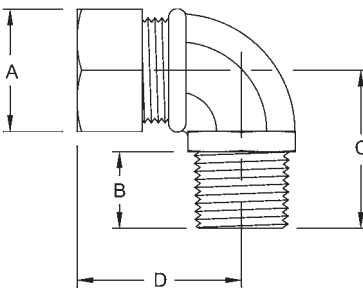
LIQUIDTIGHT CONDUIT AND CORD CONNECTORS



Straight Strain Relief Cord Connectors

HUB SIZE	FORM SIZE	A	B	THREAD SPEC.	C
1/2"	F1	1-1/16"	1/2"	1/2"-14 NPT	1-29/64"
1/2"	F2	1-3/16"	1/2"	1/2"-14 NPT	1-15/32"
3/4"	F3	1-13/32"	9/16"	3/4"-14 NPT	1-31/64"
1"	F4	1-45/64"	19/32"	1"-11-1/2 NPT	1-51/64"
1-1/4"	F5	2-3/16"	43/64"	1-1/4"-11-1/2 NPT	1-7/8"
1-1/2"	F6	2-13/32"	47/64"	1-1/2"-11-1/2 NPT	2-11/64"

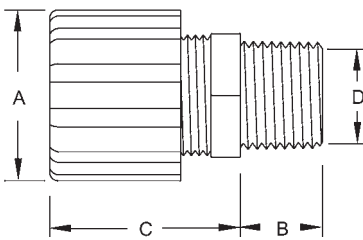
A = Nut Flats
 B = Thread length and thread spec.
 C = Overall Length



90 Degree Strain Relief Cord Connectors

HUB SIZE	FORM SIZE	A	THREAD SPEC.	B	C	D
1/2"	F1	1-3/64"	1/2"-14 NPT	35/64"	1-3/8"	1-7/16"
1/2"	F2	1-11/64"	1/2"-14 NPT	9/16"	1-13/32"	1-5/8"
3/4"	F3	1-13/32"	3/4"-14 NPT	37/64"	1-5/8"	1-7/8"

A = Nut Flats
 B = Thread length and thread spec.
 C = Thread to bend
 D = Nut to bend



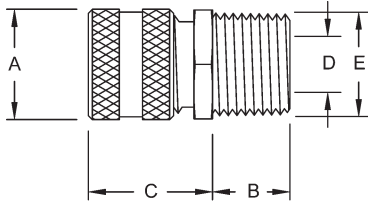
Strain Relief Cord Connectors - Nylon

HUB SIZE	FORM SIZE	A	B	C	D
1/4"	F1	63/64"	7/16"	1-3/32"	21/64"
3/8"	F1	63/64"	7/16"	1-3/32"	7/16"
1/2"	F2	1-1/4"	17/32"	1-1/2"	37/64"
3/4"	F3	1-31/64"	35/64"	1-5/8"	49/64"
1"	F4	1-27/32"	11/16"	1-3/4"	1-1/64"

A = Nut O.D.
 B = Thread length
 C = Length to shoulder
 D = Throat I.D.



LIQUIDTIGHT CONDUIT AND CORD CONNECTORS

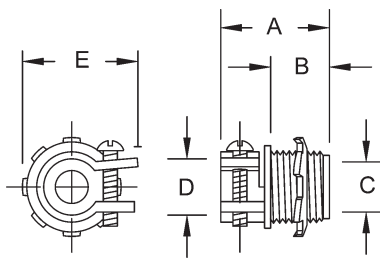


Straight Strain Relief Cord Connectors - Aluminum

HUB SIZE	FORM SIZE	A DIA.	B REF.	C	D	E	
						A/C*	A/F**
1/2"	F1	.88"	.46"	.90"	.44"	1.00"	.88"
1/2"	F2	1.13"	.55"	1.10"	.64"	1.11"	1.00"
1/2"	F3	1.38"	.55"	1.50"	.64"	1.40"	1.25"
3/4"	F2	1.13"	.55"	1.10"	.64"	1.29"	1.13"
3/4"	F3	1.38"	.55"	1.50"	.82"	1.40"	1.25"
1"	F4	1.75"	.71"	1.60"	1.02"	1.81"	1.62"

*A/C = Across corners A = Nut O.D. D = Throat I.D.
 **A/C = Across flats B = Thread length E = Hex
 C = Length to shoulder

FLEXIBLE METAL CONDUIT FITTINGS



Straight Squeeze Connector, Insulated

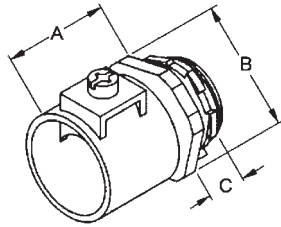
CATALOG NUMBER	A	B	THREAD SPEC.	C	D	E
3301	1-1/16"	13/32"	1/2"-14 NPS	.345	.528 - .640	1-23/64"
3302	1-23/64"	17/32"	1/2"-14 NPS	.590	.855 - .910	1-5/8"
3302-8	1-23/64"	17/32"	1/2"-14 NPS	.590	.855 - .910	1-5/8"
3303	1-15/32"	31/64"	3/4"-14 NPS	.763	1.043 - 1.122	1-15/16"
3303-8	1-15/32"	31/64"	3/4"-14 NPS	.763	1.043 - 1.122	1-15/16"
3304	1-11/16"	33/64"	1"-11-1/2 NPT	.935	1.364 - 1.408	2-25/64"
3304-8	1-11/16"	33/64"	1"-11-1/2 NPT	.935	1.364 - 1.408	2-25/64"
3305	1-51/64"	33/64"	1-1/4"-11-1/2 NPT	1.190	1.670 MAX.	2-9/16"
3306	2-15/32"	43/64"	1-1/2"-11-1/2 NPT	1.450	1.970 MAX.	2-27/32"
3308	2-3/4"	45/64"	2"-11-1/2 NPT	1.930	2.450 MAX.	3-11/32"
3310	3"	1-3/64"	2-1/2"- 8 NPS	2.358	3.080 MAX	4-5/32"
3312	3-15/64"	1-5/64"	3"- 8 NPS	2.290	3.645 MAX	5"
3314	5-13/64"	1-21/64"	3-1/2"- 8 NPS	3.425	4.060 MAX	6-5/8"
3316	5-23/32"	1-39/64"	4"- 8 NPS	3.915	4.560 MAX	7-15/64"

Straight Squeeze Connector, Uninsulated

2101	1-1/16"	13/32"	1/2"-14 NPS	.345	.528 - .640	1-23/64"
2102	1-33/64"	17/32"	1/2"-14 NPS	.590	.855 - .910	1-5/8"
2102-8	1-33/64"	17/32"	1/2"-14 NPS	.590	.855 - .910	1-5/8"
2103	1-15/32"	31/64"	3/4"-14 NPS	.763	1.043 - 1.122	1-15/16"
2103-8	1-15/32"	31/64"	3/4"-14 NPS	.763	1.043 - 1.122	1-15/16"
2104	1-11/16"	33/64"	1"-11-1/2 NPT	.935	1.364 - 1.408	2-25/64"
2104-8	1-11/16"	33/64"	1"-11-1/2 NPT	.935	1.364 - 1.408	2-25/64"
2105	1-51/64"	33/64"	1-1/4"-11-1/2 NPT	1.190	1.670 MAX.	2-9/16"
2106	2-15/32"	43/64"	1-1/2"-11-1/2 NPT	1.450	1.970 MAX.	2-27/32"
2108	2-3/4"	45/64"	2"-11-1/2 NPT	1.930	2.450 MAX.	3-11/32"
2110	3"	1-3/64"	2-1/2"- 8 NPS	2.358	3.080 MAX	4-5/32"
2112	3-15/64"	1-5/64"	3"- 8 NPS	2.290	3.645 MAX	5"
2114	5-1/64"	1-21/64"	3-1/2"- 8 NPS	3.425	3.150 MAX	6-5/8"
2116	5-23/64"	1-39/64"	4"- 8 NPS	3.915	3.500 MAX	7-15/64"

A = Overall length D = Clamping range
 B = Thread length and thread spec E = Maximum width body
 C = Throat I.D.

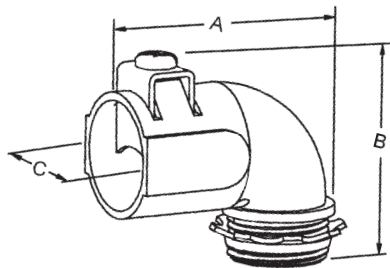
FLEXIBLE METAL CONDUIT FITTINGS



Straight DOUBLE BITE Saddle Connectors

CATALOG NUMBER	A	B	C
3301DB	1-3/16"	1-1/4"	1/2"
3302DB	1-3/8"	1-1/4"	7/16"
3303DB	1-3/8"	1-7/16"	7/16"
3304DB	1-9/16"	1-13/16"	1/2"
3305DB	2-3/16"	2-1/8"	5/8"
3306DB	2-7/16"	2-1/2"	5/8"
3308DB	2-9/16"	3"	5/8"
3310DB	2-11/16"	3-5/8"	13/16"
3312DB	2-13/16"	4-1/4"	15/16"
3314DB	2-15/16"	4-3/4"	1"
3316DB	3"	5-3/16"	1-1/16"

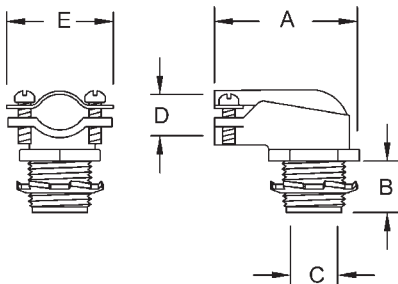
A = Overall length
 B = O.D. body
 C = Thread length



90 Degree DOUBLE BITE Saddle Connectors

CATALOG NUMBER	A	B	C
3201DB	1-3/4"	2-1/16"	1"
3202DB	2-1/8"	2-1/4"	1-1/4"
3203DB	2-1/2"	2-1/2"	1-3/8"
3204DB	2-13/16"	2-7/8"	1-11/16"

A = Throat length
 B = Overall height
 C = Throat I.D.



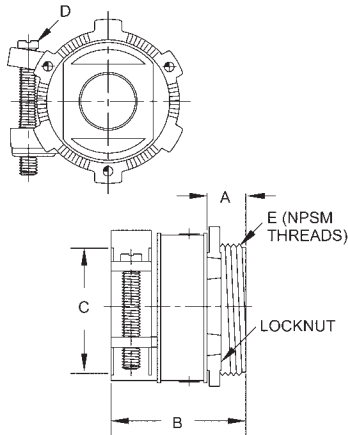
90 Degree Squeeze Connectors

INSULATED CATALOG NO.	UNINSULATED CATALOG NO.	A	B	THREAD SPEC	C	D	E
3201	2201	2-1/64"	23/64"	1/2"-14 NPS	.570"	.390-.630"	1-3/8"
3202	2202	2-15/64"	27/64"	1/2"-14 NPS	.570"	.817-.950"	1-51/64"
3202-8	2202-8	2-15/64"	27/64"	1/2"-14 NPS	.570"	.817-.950"	1-51/64"
3203	2203	2-1/2"	1/2"	3/4"-14 NPS	.822"	.830-1.110"	1-31/32"
3203-8	2203-8	2-1/2"	1/2"	3/4"-14 NPS	.822"	.830-1.110"	1-31/32"
3204	2204	2-27/32"	33/64"	1"-11-1/2 NPS	.950"	1.295" MAX	2-11/32"
—	2204-8	2-27/32"	33/64"	1"-11-1/2 NPS	.950"	1.295" MAX	2-11/32"
3205	2205	4-13/64"	43/64"	1-1/4"-11-1/2 NPS	1.210"	1.535" MAX	2-55/64"
3206	2206	4-57/64"	19/32"	1-1/2"-11-1/2 NPS	1.450"	1.890" MAX	3-3/32"
3208	2208	6-35/64"	51/64"	2"-11-1/2 NPS	1.883"	2.415" MAX	3-51/64"
3210	2210	7-9/16"	1-7/64"	2-1/2"- 8 NPS	2.300"	2.515" MAX	4-21/64"
3212	2212	8-31/32"	1-3/64"	3"- 8 NPS	2.940"	3.025" MAX	5-1/16"
3214	2214	11-15/64"	1-17/64"	3-1/2"- 8 NPS	3.440"	3.700" MAX	6-51/64"
3216	2216	12-11/32"	1-9/16"	4"- 8 NPS	3.935"	4.050" MAX	7-17/64"

A = Overall length
 B = Thread length and thread spec
 C = Throat I.D.
 D = Clamping range
 E = Maximum width body



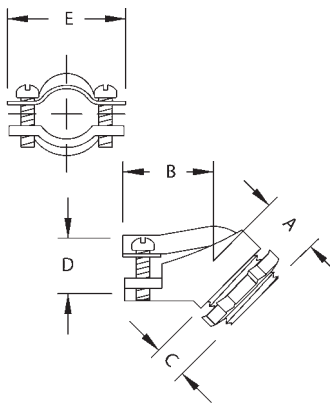
FLEXIBLE METAL CONDUIT FITTINGS



Straight Squeeze Connectors, Uninsulated

CATALOG NUMBER	A	B	C	D	E
2191	13/32"	1"	21/32"	NO. 10x1.00	1/2"-14 NPSM
2192	1/2"	1-1/2"	63/64"	NO. 10x1.00	1/2"-14 NPSM
2193	1/2"	1-19/32"	1-3/16"	NO. 12x1.00	3/4"-14 NPSM
2194	9/16"	1-49/64"	1-29/64"	NO. 12x1.25	1"-11-1/2 NPSM
2195RAC	43/64"	1-31/32"	1-47/64"	NO. 12x1.25	1-1/4"-11-1/2 NPSM
2196RAC	19/32"	2"	2"	NO. 12x1.25	1-1/2"-11-1/2 NPSM
2198	19/32"	2-7/64"	2-35/64"	1/4-20x1.50	2"-11-1/2 NPSM

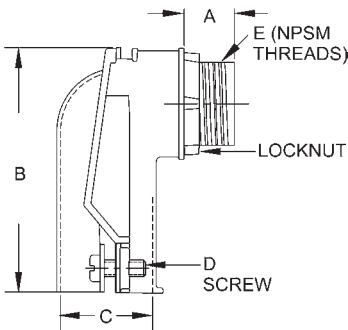
A = Thread length
 B = Overall length
 C = Conduit opening
 D = Screw spec
 E = Thread spec



45 Degree Squeeze Connectors, Uninsulated

CATALOG NUMBER	A	B	C	THREAD SPEC.	D	E
2221	5/8"	1-3/16"	1/2"	1/2" - 14	7/16" - 5/8"	1-3/8"
2222	1-3/16"	2"	1/2"	1/2" - 14	25-32" - 29/32"	1-3/8"

A = Length to end of fitting
 B = Length to bend
 C = Thread length and thread spec
 D = Clamping range
 E = Maximum width body

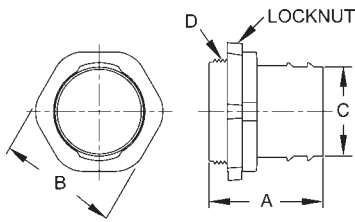


90 Degree Squeeze Connectors, Uninsulated

CATALOG NUMBER	A	B	C		D	E
			MIN.	MAX.		
2691	25/64"	1-25/32"	29/64"	25/32"	NO. 8 x 1/2"	1/2"-14 NPSM
2692	7/16"	2-1/8"	45/64"	1-5/32"	NO. 8 x 5/8"	1/2"-14 NPSM
2693	7/16"	2-3/32"	63/64"	1-13/32"	NO. 8 x 5/8"	3/4"-14 NPSM
2694	17/32"	2-27/32"	1-7/64"	1-53/64"	NO. 12 x 1"	1"-11-1/2 NPSM
2695	19/32"	3-15/16"	1-3/8"	2-1/16"	NO. 12 x 1"	1-1/4"-11-1/2 NPSM
2696	45/64"	6-1/16"	1-27/32"	2-1/16"	NO. 1/4-20 x 1-1/2"	1-1/2"-11-1/2 NPSM
2698	45/64"	6-1/4"	1-27/32"	2-1/16"	NO. 1/4-20 x 1-1/2"	2"-11-1/2 NPSM

A = Thread length
 B = Overall length
 C = Clamping range
 D = Screw
 E = Thread spec

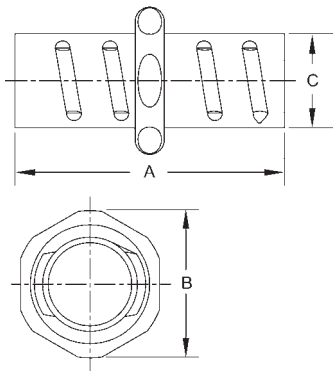
FLEXIBLE METAL CONDUIT FITTINGS



Screw-in Type Connectors - Uninsulated

CATALOG NUMBER	A	B	C	D THREAD SPEC.
2281	1-19/64"	59/64"	3/8"	1/2"-14 NPSM
2282	1-3/8"	59/64"	5/8"	1/2"-14 NPSM
2283	1-5/8"	1-1/8"	53/64"	3/4"-14 NPSM

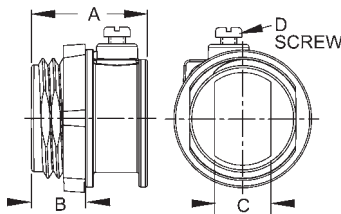
A = Overall length
 B = Dia. across flats
 C = Body Dia.
 D = Thread spec



Screw-in Type Couplings

CATALOG NUMBER	A	B	C
2272	1-51/64"	31/32"	5/8"
2273	2-7/64"	1-7/32"	53/64"

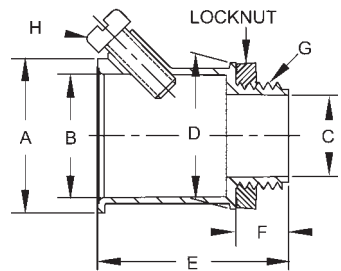
A = Overall length
 B = Dia. across corners
 C = Body Dia.



Set Screw Connector

CATALOG NUMBER	A	B	THREAD SPEC.	C	D
2511	25/32"	3/8"	1/2-14 NPSM	3/8"	10-24 x 1/2"

A = Overall length
 B = Thread length
 C = Throat Dia.
 D = Screw Size



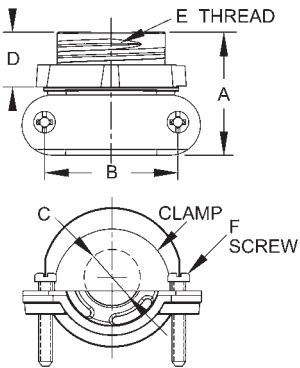
Set Screw Connector

CATALOG NUMBER	A	B	C	D	E	F	G	H
2632	1-3/16"	61/64"	39/64"	1-1/8"	1-1/2"	3/64"	1/2-14 NPSM	10-24 x 1/2"

A = Body O.D.
 B = Body I.D.
 C = Throat I.D.
 D = Hub Dia.
 E = Overall length
 F = Thread length
 G = Thread spec
 H = Screw size and length



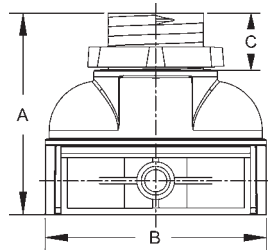
FLEXIBLE METAL CONDUIT FITTINGS



Clamp Type Connector

CATALOG NUMBER	A	B	C	THREAD SPEC.	D	E
2661	27/32"	7/8"	23/64"	3/8"	1/2-14 NPSM	8-32 x 3/4"

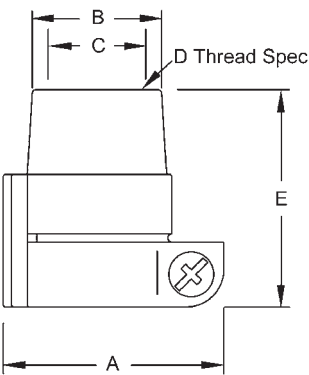
- A = Length
- B = Screw centerlines
- C = Clamping range
- D = Thread length
- E = Thread spec.
- F = Screw



Duplex Connector

CATALOG NUMBER	A	B	C
2611	1-1/2"	1-21/32"	7/16"

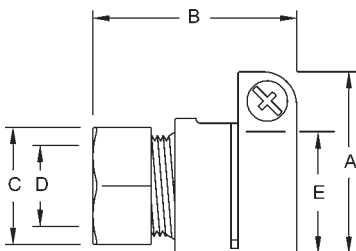
- A = Overall length
- B = Width
- C = Thread length



Flex to Rigid Couplings

CATALOG NUMBER	A	B	C	D THREAD SPEC.	E
1552	1-43/64"	1-13/64"	31/32"	1/2" - 14 NPT	1-1/2"
1553	1-3/4"	1-23/64"	1-1/8"	3/4" - 14 NPT	1-3/4"
1554	2-5/16"	1-21/32"	1-13/34"	1" - 11-1/2 NPT	1-53/64"

- A = Width across flex side
- B = Hub O.D.
- C = Hub I.D.
- D = Thread spec. hub
- E = Overall length

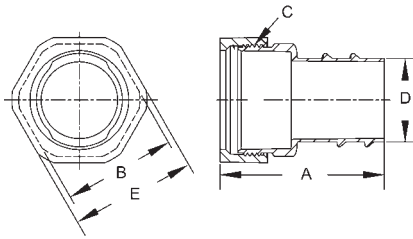


Flex EMT Squeeze Couplings

CATALOG NUMBER	A	B	C	D	E
1941	1-1/4"	1-5/16"	1-7/64"	23/32"	17/32"-5/8"
1942	1-1/2"	1-3/4"	1-7/64"	23/32"	13/16"-15/16"
1942-8	1-1/2"	1-3/4"	1-7/64"	23/32"	13/16"-15/16"
1943	1-3/4"	1-53/64"	1-3/8"	15/16"	1-1/32"-1-1/8"
1943-8	1-3/4"	1-53/64"	1-3/8"	15/16"	1-1/32"-1-1/8"

- A = Width across flex side
- B = Overall length
- C = Nut O.D.
- D = Nut I.D.
- E = Clamping range (flex side)

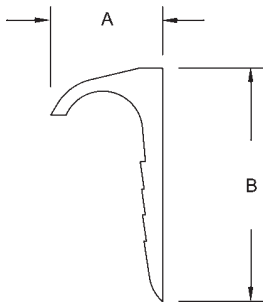
FLEXIBLE METAL CONDUIT FITTINGS



Flex EMT Couplings Screw-In/Compression

CATALOG NUMBER	A	B	C THREAD SPEC.	D	E
1482	1-21/32"	59/64"	7/8"-18 UNS	5/8"	31/32"
1483	1-51/64"	1-1/8"	1-5/64"-18 UNS	13/16"	1-7/32"
1484	1-63/64"	1-23/64"	1-23/64"-18 UNS	1"	1-33/64"

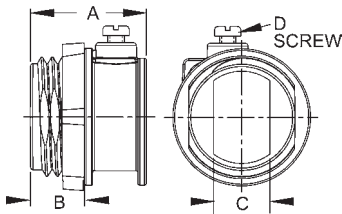
A = Overall length
 B = Body across flat
 C = Thread spec
 D = Throat I.D.
 E = Nut across flat



Nail-up Straps Stamped

CATALOG NUMBER	A	B
2252	1-1/16"	2-3/16"
2253	1-1/4"	2-19/64"
2254	1-1/2"	2-13/32"

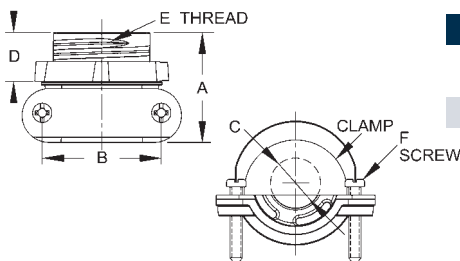
ARMORED CABLE CONNECTORS



Set Screw Connector

CATALOG NUMBER	A	B	THREAD SPEC.	C	D
2511	25/32"	3/8"	1/2-14 NPSM	3/8"	10-24 x 1/2"

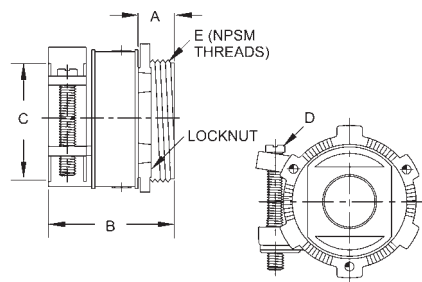
A = Overall length
 B = Thread length
 C = Throat Dia.
 D = Screw Size



Clamp Type Connector

CATALOG NUMBER	A	B	C	THREAD SPEC.	D	E
2661	27/32"	7/8"	23/64"	3/8"	1/2-14 NPSM	8-32 x 3/4"

A = Length
 B = Screw centerlines
 C = Clamping range
 D = Thread length
 E = Thread spec.
 F = Screw



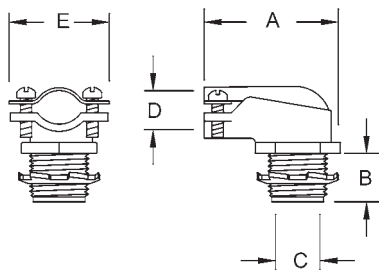
Squeeze Type Connectors, Uninsulated

CATALOG NUMBER	A	B	C	D	E
2191	13/32"	1"	21/32"	NO. 10x1.00	1/2"-14 NPSM
2192	1/2"	1-1/2"	63/64"	NO. 10x1.00	1/2"-14 NPSM
2193	1/2"	1-19/32"	1-3/16"	NO. 12x1.00	3/4"-14 NPSM
2194	9/16"	1-49/64"	1-29/64"	NO. 12x1.25	1"-11-1/2 NPSM

A = Thread length
 B = Overall length
 C = Conduit opening
 D = Screw spec
 E = Thread spec



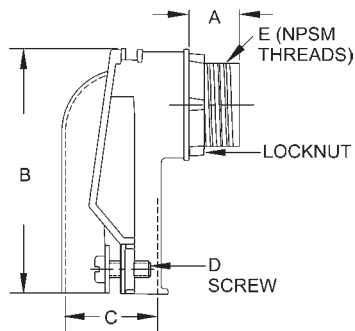
ARMORED CABLE CONNECTORS



90 Degree Squeeze Connectors

INSULATED CATALOG NO.	UNINSULATED CATALOG NO.	A	B	THREAD SPEC	C	D	E
3201	2201	2-1/64"	23/64"	1/2"-14 NPS	.570"	.390-.630"	1-3/8"
3202	2202	2-15/64"	27/64"	1/2"-14 NPS	.570"	.817-.950"	1-51/64"
3202-8	2202-8	2-15/64"	27/64"	1/2"-14 NPS	.570"	.817-.950"	1-51/64"
3203	2203	2-1/2"	1/2"	3/4"-14 NPS	.822"	.830-1.110"	1-31/32"
3203-8	2203-8	2-1/2"	1/2"	3/4"-14 NPS	.822"	.830-1.110"	1-31/32"

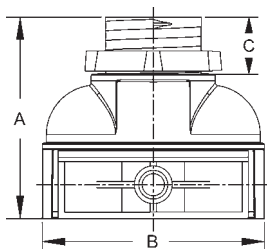
- A = Overall length
- B = Thread length and thread spec
- C = Throat I.D.
- D = Clamping range
- E = Maximum width body



90 Degree Squeeze Connectors, Uninsulated

CATALOG NUMBER	A	B	C		D	E
			MIN.	MAX.		
2691	25/64"	1-25/32"	29/64"	25/32"	NO. 8 x 1/2"	1/2"-14 NPSM
2692	7/16"	2-1/8"	45/64"	1-5/32"	NO. 8 x 5/8"	1/2"-14 NPSM
2693	7/16"	2-3/32"	63/64"	1-13/32"	NO. 8 x 5/8"	3/4"-14 NPSM

- A = Thread length
- B = Overall length
- C = Clamping range
- D = Screw
- E = Thread spec

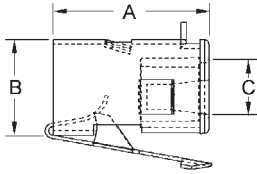


Duplex Connector

CATALOG NUMBER	A	B	C
2611	1-1/2"	1-21/32"	7/16"

- A = Overall length
- B = Width
- C = Thread length

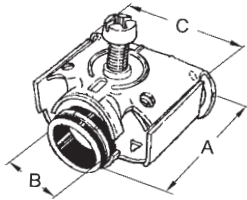
METAL CLAD CABLE CONNECTORS



NEW LINE ART TO COME

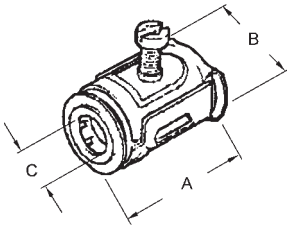
REDI-LOC® Cable Connectors			
CATALOG NUMBER	A	B	C
2700, 2700-8	1.070"	.840"	.375"
2700AJ, 2700AJ-8	1.070"	.840"	.375"
2701, 2701-8	1.070"	1.074"	.500"
REDI-LOC® II Cable Connectors			
2720	1.65"	.714"	.323"
2720AJ	1.65"	.714"	.405"

A = Overall length
 B = Body O.D.
 C = Throat I.D.



REDI-LOC® Duplex Cable Connector			
CATALOG NUMBER	A	B	C
2715	1-5/8"	9/16"	1-11/16"

A = Overall length
 B = Throat I.D.
 C = Body width

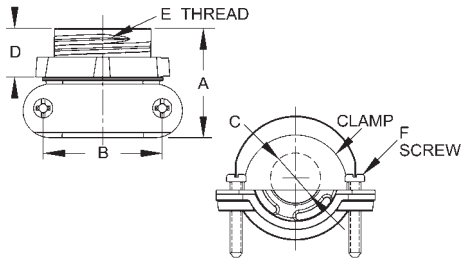


Screw Type Cable Connectors			
CATALOG NUMBER	A	B	C
2800	1-7/16"	7/8"	7/16"
2801	1-11/16"	1-5/16"	9/16"

A = Overall length
 B = Body O.D.
 C = Throat I.D.



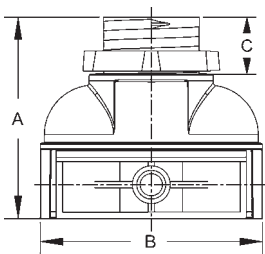
METAL CLAD CABLE CONNECTORS



Clamp Type Cable Connector

CATALOG NUMBER	A	B	C	THREAD SPEC.	D	E
2661	27/32"	7/8"	23/64"	3/8"	1/2-14 NPSM	8-32 x 3/4"

A = Length
 B = Screw centerlines
 C = Clamping range
 D = Thread length
 E = Thread spec.
 F = Screw

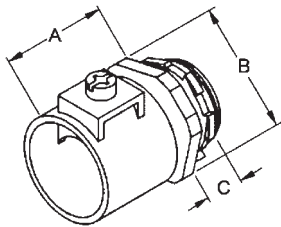


Duplex Connector

CATALOG NUMBER	A	B	C
2611	1-1/2"	1-21/32"	7/16"

A = Overall length
 B = Width
 C = Thread length

DOUBLE BITE SADDLE CONNECTORS



Straight DOUBLE BITE Saddle Connectors

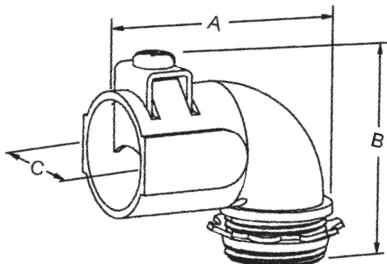
CATALOG NUMBER	A	B	C
3301DB	1-3/16"	1-1/4"	1/2"
3302DB	1-3/8"	1-1/4"	7/16"
3303DB	1-3/8"	1-7/16"	7/16"
3304DB	1-9/16"	1-13/16"	1/2"
3305DB	2-3/16"	2-1/8"	5/8"
3306DB	2-7/16"	2-1/2"	5/8"
3308DB	2-9/16"	3"	5/8"
3310DB	2-11/16"	3-5/8"	13/16"
3312DB	2-13/16"	4-1/4"	15/16"
3314DB	2-15/16"	4-3/4"	1"
3316DB	3"	5-3/16"	1-1/16"

A = Overall length
 B = O.D. body
 C = Thread length

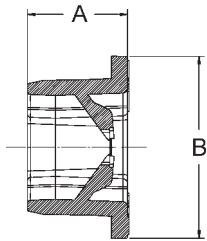
90 Degree DOUBLE BITE Saddle Connectors

CATALOG NUMBER	A	B	C
3201DB	1-3/4"	2-1/16"	1"
3202DB	2-1/8"	2-1/4"	1-1/4"
3203DB	2-1/2"	2-1/2"	1-3/8"
3204DB	2-13/16"	2-7/8"	1-11/16"

A = Throat length
 B = Overall height
 C = Throat I.D.



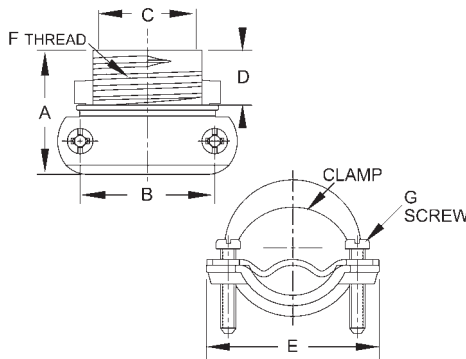
NONMETALLIC SHEATHED CABLE CONNECTORS & ACCESSORIES



Nonmetallic Sheathed Cable Connector

CATALOG NUMBER	A	B
4714	5/8"	1-9/64"

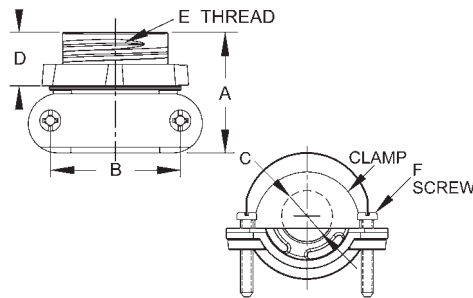
A = Overall length
B = Flange O.D.



Clamp Type Cable Connectors

CATALOG NUMBER	A	B	C	D	E	F	G
2711	13/16"	7/8"	5/8"	23/64"	1-11/64"	1/2"-1/4 NPSM	NO. 8-32 x 3/4"
2863	15/16"	1-3/16"	27/32"	27/64"	1-21/32"	3/4"-1/4 NPSM	NO.10-24 x 1"
2864	1-7/64"	1-7/16"	1-3/64"	33/64"	1-15/16"	1"-11-1/2 NPSM	NO.10-24 x 1"

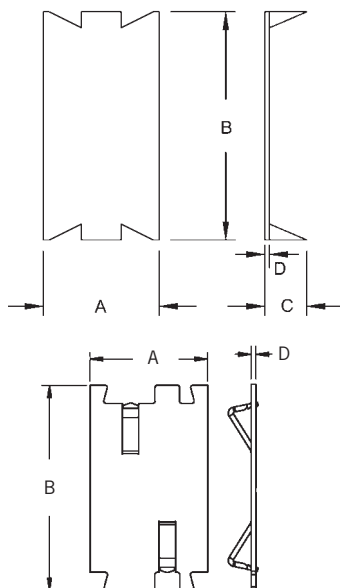
A = Length
B = Screw centerlines
C = Throat I.D.
D = Thread length
E = Max. body width
F = Thread spec.
G = Screw



Clamp Type Cable Connector

CATALOG NUMBER	A	B	C	D	E	F
2661	27/32"	7/8"	23/64"	3/8"	1/2"-14 NPSM	8-32 x 3/4"

A = Length
B = Screw centerlines
C = Throat I.D.
D = Thread length
E = Thread spec.
F = Screw



Cable Protectors

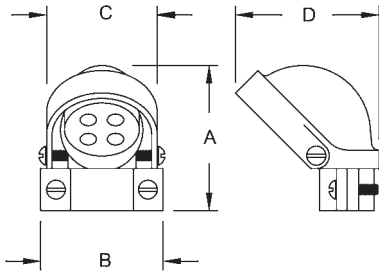
CATALOG NUMBER	A	B	C	D
2709	1-1/2"	2-9/16"	1/2"	1/16"
2709-9	1-1/2"	2-9/16"	1/2"	1/16"
2710	1-1/2"	2-9/16"	1/2"	1/16"

PUZZLE-PLATE Cable Protectors

2712	1-1/2"	2-5/8"	—	3/64"
2712-9R	1-1/2"	2-5/8"	—	1/16"
2712R	1-1/2"	2-5/8"	—	1/16"
2713	1-1/2"	5"	—	3/64"
2713R	1-1/2"	5"	—	1/16"

A = Width
B = Height
C = Thickness – measure from the tip of the tang
D = Thickness of material

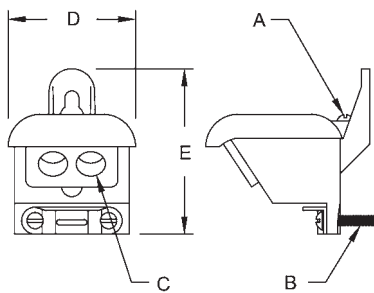
SERVICE ENTRANCE FITTINGS



Entrance Heads, Clamp Type for Rigid/IMC or EMT

CATALOG NUMBER	A	B	C	D	INSULATING HOLE DIA.
2402	2-11/16"	2-1/4"	2-1/8"	2-37/64"	4 Holes 19/64" Dia.
2403	2-55/64"	2-1/4"	2-9/32"	2-63/64"	2 Holes 3/8" Dia., 3 Holes 13/32" Dia.
2404	3-9/32"	2-39/64"	2-39/64"	3-3/8"	3 Holes 1/2" Dia., 2 Holes 7/16" Dia.
2405	3-1/4"	3-3/32"	3-3/32"	4-7/32"	3 Holes 5/8" Dia., 2 Holes 7/16" Dia.
2406	4-43/64"	3-3/4"	3-13/32"	5-3/32"	3 Holes 3/4" Dia., 2 Holes 19/32" Dia., 1 Hole 7/16" Dia.
2408	6"	4-1/2"	4-23/32"	6-19/32"	3 Holes 1" Dia., 2 Holes 3/4" Dia., 1 Hole 17/32" Dia.
2410	8"	5-13/16"	6-7/16"	9-57/64"	3 Holes 1-5/16" Dia., 3 Holes 7/8" Dia., 1 Hole 1" Dia.
2412	8-7/64"	6-3/8"	6-7/16"	10-1/64"	3 Holes 1-5/16" Dia., 3 Holes 7/8" Dia., 1 Hole 1" Dia.
2414	9-9/16"	7-7/64"	8-5/32"	13-1/16"	3 Holes 1-5/16" Dia., 4 Holes 1-1/8" Dia.
2416	9-11/32"	7-61/64"	8-5/32"	13-7/32"	3 Holes 1-3/4" Dia., 4 Holes 1-1/8" Dia.

A = Height
B = Width of clamp
C = Width of head
D = Depth of head

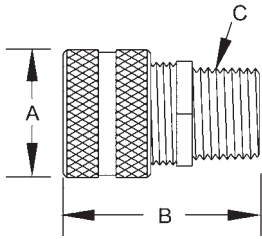


Entrance Heads, Clamp Type for SEU Cable

CATALOG NUMBER	A	B	C	D	E
2430	8-32 x 1/2"	10-24 x 1"	17/32"	3-5/16"	3-5/16"
2440	12-24 x 1/2"	12-24 x 1"	13/16"	4-1/2"	5"

A = Cover screw spec
B = Clamp screw spec
C = Hole size
D = Depth of head
E = Height

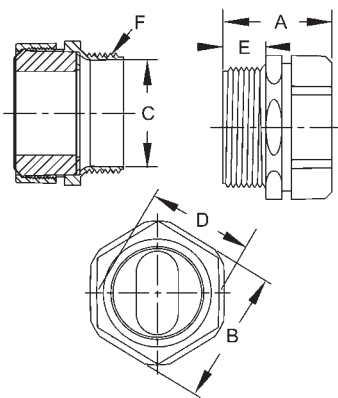
SERVICE ENTRANCE FITTINGS



Underground Feeder (UF) Connectors, Liquid Tight

CATALOG NUMBER	A	B	C
4899-9	1.25"	1.65"	1/2" - 14
4799-1	1.32"	2.03"	1/2" - 14
4799-3	1.56"	2.15"	3/4" - 14
2462	1.25"	1.75"	1/2" - 14

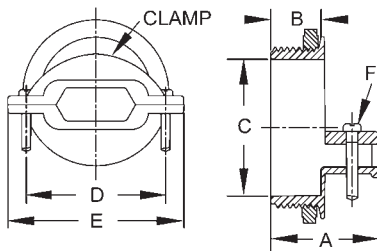
A = Nut O.D.
 B = Length
 C = Thread spec



Service Entrance Cable Connectors, Liquid Tight

CATALOG NUMBER	A	B	C	D	E	F
2475	2"	1-27/32"	1-23/64"	1-49/64"	39/64"	1-1/4" -11-1/2
2485	2"	1-27/32"	1-23/64"	1-49/64"	39/64"	1-1/4" -11-1/2
2486	2-3/16"	2-5/32"	1-19/32"	2-7/64"	39/64"	1-1/2" -11-1/2
2498	2-13/32"	2-37/64"	2-1/16"	2-21/32"	49/64"	2" -11-1/2
2468	2-13/32"	2-37/64"	2-1/16"	2-21/32"	49/64"	2" -11-1/2

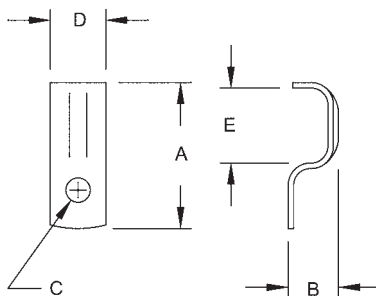
A = Overall length
 B = Nut across flat
 C = Throat dia.
 D = Body across flat
 E = Thread length
 F = Thread spec



Non-watertight Connectors for Oval or Round Cable

CATALOG NUMBER	A	B	C	D	E	F
2853/2863	15/16"	27/64"	3/4" - 14 NPSM	1-3/16"	1-21/32"	No. 10-24 x 1"
2854/2864	1-7/64"	33/64"	1" - 11-1/2 NPSM	1-7/16"	1-15/16"	No. 10-24 x 1"
2855	1-5/16"	39/64"	1-1/4" - 11-1/2 NPSM	1-5/8"	2-1/4"	No. 10-24 x 1"
2856	1-21/64"	19/32"	1-1/2" - 11-1/2 NPSM	2-13/64"	2-27/32"	No. 10-24 x 1"
2858	1-37/64"	47/64"	2" - 11-1/2 NPSM	2-3/4"	3-1/2"	No. 12-24 x 1"

A = Overall length
 B = Thread length and thread spec
 C = Throat I.D.
 D = Screw center to center
 E = Maximum body width
 F = Screw size



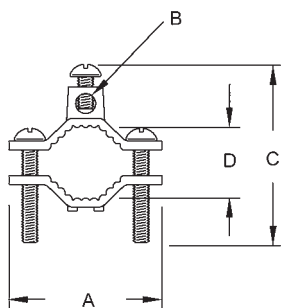
One Hole Cable Straps

CATALOG NUMBER	A	B	C	D	E
2441	1-5/8"	37/64"	9/32"	5/8"	13/16"
2442	1-55/64"	3/4"	9/32"	5/8"	1-3/64"
2443	1-21/32"	1"	9/32"	1"	1-7/16"
2444	2-59/64"	1-9/64"	9/32"	1"	1-45/64"

A = Overall length
 B = Height
 C = Hole size
 D = Width of strap
 E = Inside length



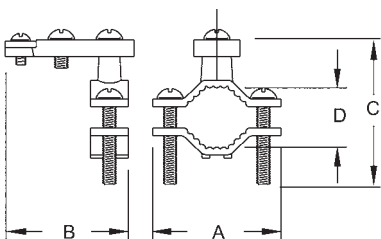
GROUNDING



Ground Clamps for Bare Ground Wires

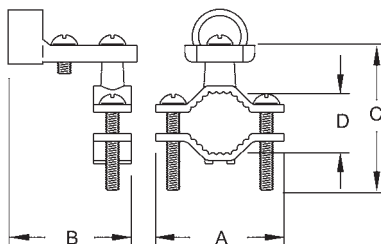
CATALOG NUMBER	A	B	C	D
2504	2-1/4"	5/16"	2-5/16"	11/16"-1-5/16"
2505	3-9/16"	5/16"	3-1/8"	1-3/8"-2-1/2"

A = Width
 B = Hole diameter
 C = Height
 C = Height
 D = Min./Max. clamping range



Ground Clamps for Bare Armored Ground Wires

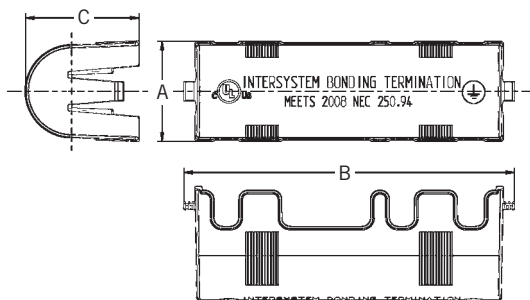
CATALOG NUMBER	A	B	C	D
2507	2-1/4"	2-3/8"	2-3/4"	9/16"-1-5/16"
2508	3-5/8"	2-1/4"	3-5/8"	1-3/8"-2-1/2"



Ground Clamps for 1/2" Rigid Conduit

CATALOG NUMBER	A	B	C	D
2512	2-1/4"	2-1/2"	3-1/8"	5/8"-1-3/8"
2522	3-9/16"	1-15/16"	3-1/2"	1-1/4"-2-1/2"
2513	2-5/16"	2-1/8"	3-1/2"	11/16"-1-3/8"
2523	3-5/8"	2-3/16"	4-3/8"	1-7/16"-2-1/2"

A = Width
 B = Length
 C = Height
 C = Height
 D = Min./Max. clamping range

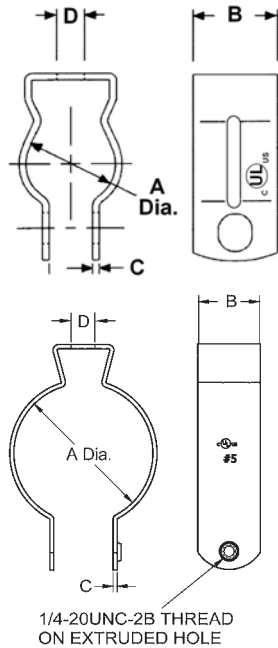


Intersystem Bonding Bridge for Solid or Stranded Conductors

CATALOG NUMBER	A	B	C
RACIBB-5	1.378"	4.606"	1.575"
RACIBB	1.378"	4.606"	1.575"

A = Width
 B = Length
 C = Height

CONDUIT SUPPORT FITTINGS

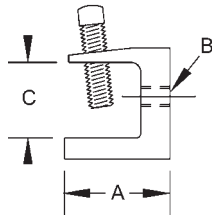


Conduit Hangers with Nut and Bolt

CATALOG NUMBER	A	B	C	D
2052	0.80"	0.75"	0.04"	0.25"
2053	1.00"	0.75"	0.04"	0.25"
2054	1.20"	0.87"	0.04"	0.25"
2041	1.50"	0.87"	0.04"	0.25"
2055	1.70"	0.87"	0.04"	0.25"
2056	1.87"	1.00"	0.04"	0.31"
2058	2.25"	1.00"	0.04"	0.31"
2057	2.87"	1.25"	0.63"	0.31"
2059	3.50"	1.25"	0.63"	0.31"
2060	4.00"	1.25"	0.63"	0.31"
2061	4.50"	1.25"	0.63"	0.31"

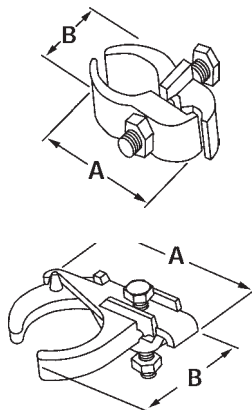
Conduit Hangers with Bolt and Threaded Hole

2052TH	0.78"	0.73"	.055 - .062"	0.26"
2053TH	0.99"	0.72"	.055 - .062"	0.26"
2054TH	1.25"	0.89"	.055 - .062"	0.26"
2041TH	1.52"	0.88"	.055 - .062"	0.26"
2055TH	1.71"	1.00"	.055 - .062"	0.33"
2056TH	1.92"	1.00"	.055 - .062"	0.33"
2058TH	2.30"	1.00"	.055 - .062"	0.33"



Beam Clamps

CATALOG NUMBER	A	B	C
2500	1-23/32"	1/4" - 20	21/32"
2524	1-11/32"	1/4" - 20	27/32"
2536	1-1/2"	5/16" - 8	15/16"
2538	1-27/32"	3/8" - 16	1-3/16"
2510	2-11/32"	1/2" - 13	1-1/4"



Parallel Conduit Clamps

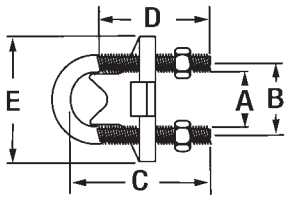
CATALOG NUMBER	A	B
2322PC	2-7/8"	1-7/16"
2323PC	3-1/16"	1-11/16"
2324PC	3-1/4"	2"
2325PC	3-5/8"	2-1/8"
2326PC	3-7/8"	2-3/16"
2328PC	4-5/8"	2-7/8"
2330PC	5-1/4"	3-1/4"
2332PC	5-7/8"	3-7/8"
2334PC	6-5/16"	4-5/16"
2336PC	6-13/16"	4-13/16"

Edge Conduit Clamps

CATALOG NUMBER	A	B
2302EC	2-13/16"	2-1/8"
2303EC	2-15/16"	2-3/8"
2304EC	3-1/16"	2-5/8"
2305EC	3-1/16"	3-1/16"
2306EC	3-15/16"	3-1/4"
2308EC	4-1/2"	4-1/16"
2310PC	5-1/8"	4-5/8"
2312PC	5-3/4"	5-1/4"



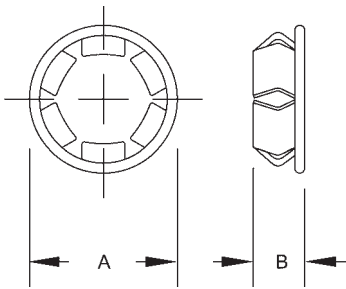
CONDUIT SUPPORT FITTINGS



Right Angle Conduit Clamps

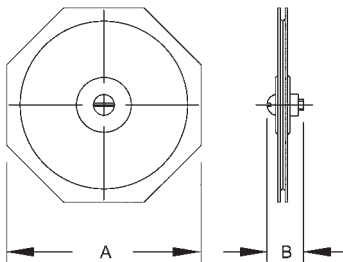
CATALOG NUMBER	A	B	C	D	E
2352RC	1"	1-1/4"	2-1/2"	1-13/16"	2-1/16"
2353RC	1-1/8"	1-33/8"	2-13/16"	1-13/16"	2-1/4"
2354RC	1-3/8"	1-5/8"	3-1/16"	1-13/16"	2-9/16"
2355RC	1-3/4"	2"	3-3/16"	1-13/16"	2-7/8"
2356RC	2"	2-3/8"	3-1/2"	1-13/16"	3-1/4"
2358RC	2-1/2"	2-1/2"	4-1/2"	2-5/8"	4-1/16"
2360RC	3"	3-1/4"	4-7/8"	2-5/8"	4-1/2"
2362RC	3-1/2"	3-7/8"	5-3/8"	2-5/8"	5-1/8"
2364RC	4"	4-9/16"	5-7/8"	2-5/8"	5-5/8"
2366RC	4-11/16"	5-1/16"	6-11/16"	2-5/8"	6-1/8"

MISCELLANEOUS FITTINGS



Knockout Seals, One Piece

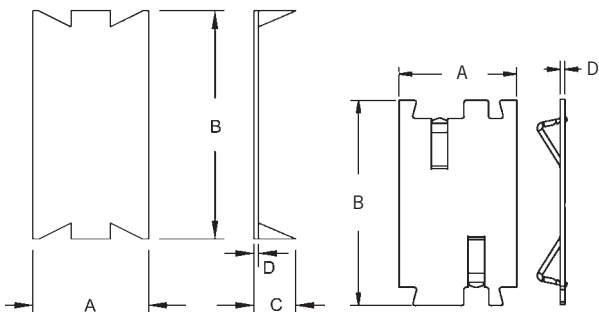
CATALOG NUMBER	A	B
1042	1-5/64"	23/64"
1043	1-15/64"	5/16"
1044	1-29/64"	11/32"
1045	1-13/16"	11/32"
1046	2-13/64"	11/32"
1048	2-43/64"	3/8"



Knockout Seals, Two Piece

CATALOG NUMBER	A	B
1037	3-3/16"	5/8"
1039	3-13/16"	5/8"
1040	4-3/8"	5/8"
1041	4-29/32"	5/8"

A = O. D.
B = Height



Cable Protectors

CATALOG NUMBER	A	B	C	D
2709	1-1/2"	2-9/16"	1/2"	1/16"
2709-9	1-1/2"	2-9/16"	1/2"	1/16"
2710	1-1/2"	2-9/16"	1/2"	1/16"

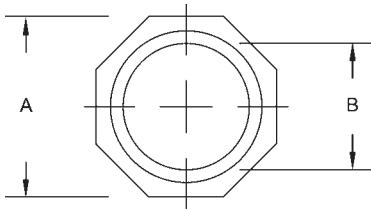
PUZZLE-PLATE Cable Protectors

2712	1-1/2"	2-5/8"	—	3/64"
2712-9R	1-1/2"	2-5/8"	—	1/16"
2712R	1-1/2"	2-5/8"	—	1/16"
2713	1-1/2"	5"	—	3/64"
2713R	1-1/2"	5"	—	1/16"

A = Width
B = Height

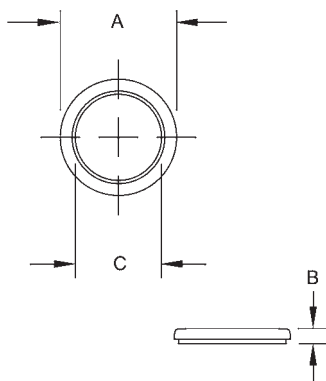
C = Thickness – measure from the tip of the tang
D = Thickness of material

MISCELLANEOUS FITTINGS



Reducing Washers		
CATALOG NUMBER	A	B
1365	1-1/4"	7/8"
1366	1-17/32"	7/8"
1367	1-17/32"	1-3/32"
1368	1-31/32"	7/8"
1369	1-31/32"	1-3/32"
1370	1-31/32"	1-3/8"
1371	2-5/32"	7/8"
1372	2-5/32"	1-3/32"
1373	2-5/32"	1-3/8"
1374	2-5/32"	1-3/4"
1375	2-11/16"	7/8"
1376	2-11/16"	1-3/32"
1377	2-11/16"	1-3/8"
1378	2-11/16"	1-3/4"
1379	2-11/16"	1-31/32"
1380	3-3/16"	1-3/8"
1381	3-3/16"	1-3/4"
1382	3-3/16"	1-31/32"
1383	3-3/16"	2-15/32"
1384	3-13/16"	1-3/4"
1385	3-13/16"	1-31/32"
1386	3-13/16"	2-15/32"
1387	3-13/16"	3"
1389	4-3/8"	2-15/32"
1390	4-3/8"	3"
1391	4-3/8"	3-5/8"
1392	4-29/32"	2-15/32"
1393	4-29/32"	3"
1394	4-29/32"	3-5/8"

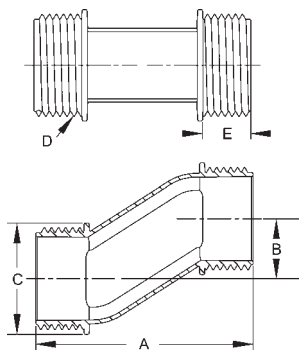
A = Across flats
B = I.D.



Sealing Washers - Steel			
CATALOG NUMBER	A	B	C
2452	1-5/64"	5/64"	51/64"
2452-8	1-5/64"	5/64"	51/64"
2453	1-11/32"	5/32"	1"
2453-8	1-11/32"	5/32"	1"
2454	1-5/8"	11/64"	1-1/4"
2454-8	1-5/8"	11/64"	1-1/4"
2455	2"	11/64"	1-39/64"
2456	2-23/64"	3/16"	1-27/32"
2458	2-53/64"	3/16"	2-5/16"

A = O.D.
B = Thickness
C = I.D.

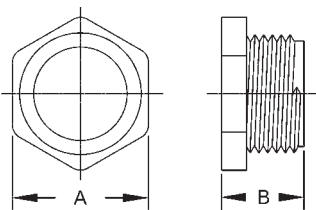
MISCELLANEOUS FITTINGS



Offset Nipples

CATALOG NUMBER	A	B	C	D	E
1452	2-27/64"	3/4"	15/16"	1/2" - 14 NPSM	7/16"
1453	2-13/32"	3/4"	1-3/16"	3/4" - 14 NPSM	7/16"
1454	2-23/32"	3/4"	1-25/64"	1" - 11/12 NPSM	39/64"
1455	2-13/16"	3/4"	1-13/16"	1-1/4" - 11-1/2 NPSM	19/32"
1456	3-1/32"	3/4"	2-1/16"	1-1/2" - 11-1/2 NPSM	11/16"
1458	3-5/32"	3/4"	2-9/16"	2" - 11-1/2 NPSM	3/4"

A = Overall length D = Thread spec
 B = Offset E = Thread length
 C = Hub dia.



Uninsulated Nipples

CATALOG NUMBER	A	B
1662	15/16"	19/32"
1663	1-3/16"	23/32"
1664	1-3/8"	55/64"
1665	1-47/64"	7/8"
1666	2-1/8"	29/32"
1668	2-35/64"	1-5/32"
1670	3-7/32"	1-7/16"
1672	3-51/64"	1-7/16"
1674	4-17/64"	1-7/16"
1676	4-51/64"	1-7/16"

A = Across flats
 B = Length