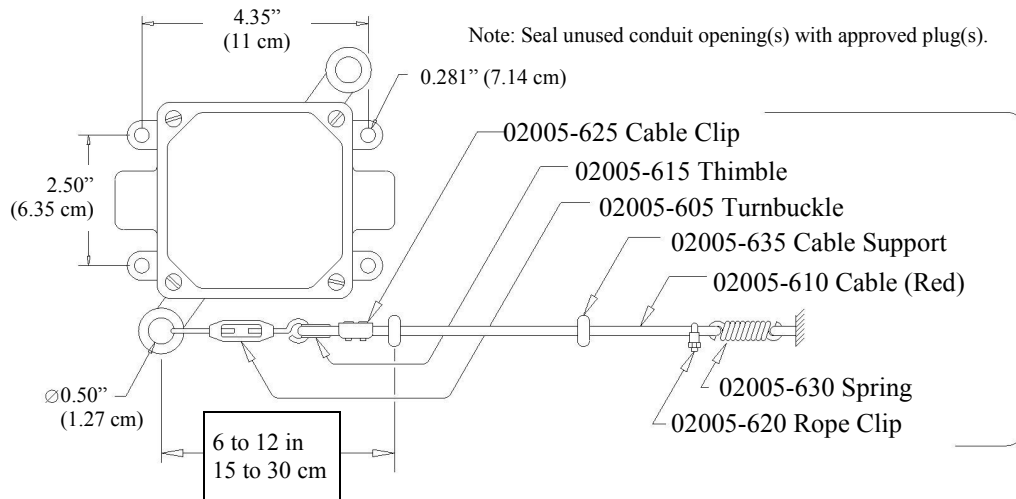


INSTALLATION INSTRUCTIONS
for *ROPE OPERATED SEQUENCE SWITCHES*

04945-000	04945-100	04945-200	04945-500	04945-800
-----------	-----------	-----------	-----------	-----------



Accessories are NOT supplied with switch NOR are they required for all installations.

Since every installation is unique and separate, the following instructions can be considered flexible. There are some basic switch setup procedures that must be observed and they are indicated by the symbol (➤). The balance of the suggestions and information is subject to change to accommodate those most familiar and responsible for the installation.

INSTALLATION:

1. Observe all SAFETY REQUIREMENTS and PROCEDURES during installation, set-up and running.
2. N.E.C. and local wiring codes ➤MUST be followed at all times.
3. The cable switch ➤MUST be mounted on a flat surface! (Recommend 1/4-20 Bolts torqued to ~60in/lb. ~69 cm-kg)
4. The first cable support SHOULD be located 6 to 12 in. (15 to 30 cm) from the switch.
5. The first cable support SHOULD be located so that the cable/rope is aligned with the switch shaft within 5 degrees.
6. It is recommended that the balance of the cable supports be spaced at intervals NOT exceeding 10 feet (~3m). Supports at properly spaced intervals are necessary to ensure that the cable weight will NOT affect switch operation.
7. The maximum recommended cable length is 200 feet (60.69 m) and SHOULD be in as straight a line as possible.
8. Wiring SHOULD be through the motor control circuit. (See reference diagram below)
9. After applying power to the control circuit, operate the device to check slack before break and for complete device reset.
10. To reset the manual switches, Push the ring eye toward the switch body until it is reset (latched in place)
11. Adjust the cable length to obtain the proper function.

Note: All cable/rope material will stretch with use and/or temperature changes and a readjustment will be necessary to maintain the original settings.

MAINTENANCE:

1. Regular Preventive Maintenance inspections are recommended. Some conditions to watch for are:
 - a. Proper trip/reset tensions and slack within the trip cable.
 - b. Physical damage to the device.
 - c. Physical damage to the cable.
 - d. Frayed wiring.
 - e. Loose cable connections, or any loose or worn components.
3. If other assistance is desired please contact the factory.

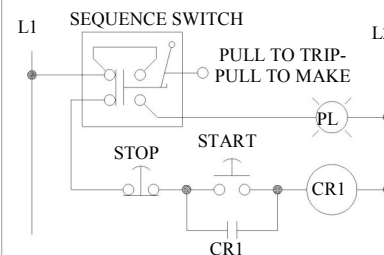
Warning - Danger

These products should only be used where point-of operation guarding devices have been properly installed and maintained so that all appropriate OSHA and ANSI regulations and standards are met. Misapplication of these products on machinery lacking effective point-of-operation safeguards can cause serious injury to the operator of that machinery.

AVERTISSEMENT - DANGER

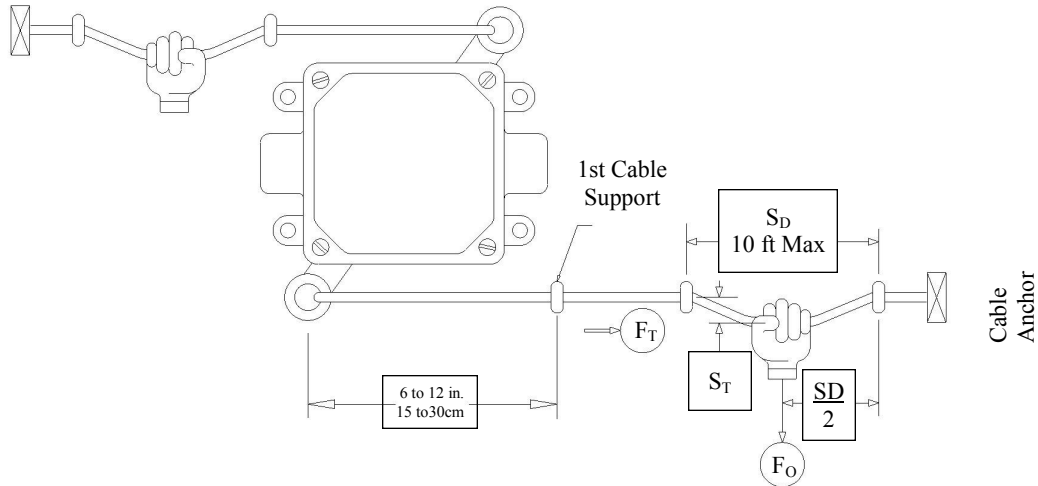
Ces produit doivent seulement être utilisés sur des postes à risque correctement sécurisés et entretenus afin d'être conforme aux standards et régulations en vigueur (CSA, CLC). Un mauvais usage de ces produits sur des machines et des postes de travail non sécurisés de manière efficace peut causer des blessures graves au technicien maniant ces machines.

SIMPLIFIED CONTROL CIRCUIT



All wiring/components provided by user.

OPERATING SPECIFICATIONS



F_T = The value of force, along the cable, which trips the switch.

F_O = The value of force, applied by the operator perpendicular to the cable, which trips the switch.

S_D = The distance between the cable supports.

S_T = The distance the cable is deflected at the time of tripping. * S_T is in addition to any slack "droop" req'd for set-up.

Catalog Number	Contact Arrangement	Reset Style	Conduit Openings	F_T Trip Force	$S_D = 5 \text{ ft.} / 1.5 \text{ m}$		$S_D = 10 \text{ ft.} / 3.0 \text{ m}$	
					F_O	S_T	F_O	S_T
04945-000	1 NO + 1 NC	Manual	1/2" NPT	<u>10 lbs.</u> 4.5 kg	<u>1.8 lb.</u> 0.8 kg	<u>3.0 in.</u> 7.6 cm	<u>1.2 lb.</u> 0.5 kg	<u>4.0 in.</u> 10.2 cm
04945-500								
04945-100	2 NO							
04945-200	2 (NO + NC)							
04945-800*	1 NO + NC MBB							

UL listed (File E 58589); **CSA certified** (File LR 3648); **CE marked**; **D marked**;

These switches comply with UL-508; CSA—C 22.2 No. 14; EN 60947-5-1: 2004 + A1:2009;

IEC Ratings:

Utilization = AC 15, DC 13; $U_e = 600 \text{ vAC}$; $U_e = 125 \text{ vDC}$; $U_i = 600 \text{ vAC}$; $U_{imp} = 2.5 \text{ kV}$; $I_{th} = 10\text{A}$

UL/NEMA Ratings: AC = A 600; DC = N 150 Temperature: Operating = 0°C to $+55^\circ\text{C}$ (-32°F to $+131^\circ\text{F}$);

Operating Position: Can be mounted in any position. Storage = -40°C to $+85^\circ\text{C}$ (-40°F to $+185^\circ\text{F}$)

Mechanical Life Rating = 150,000 operations Fusing Requirements: 10A Slow Acting; 16A Fast Acting

AVAILABLE ACCESSORIES:

