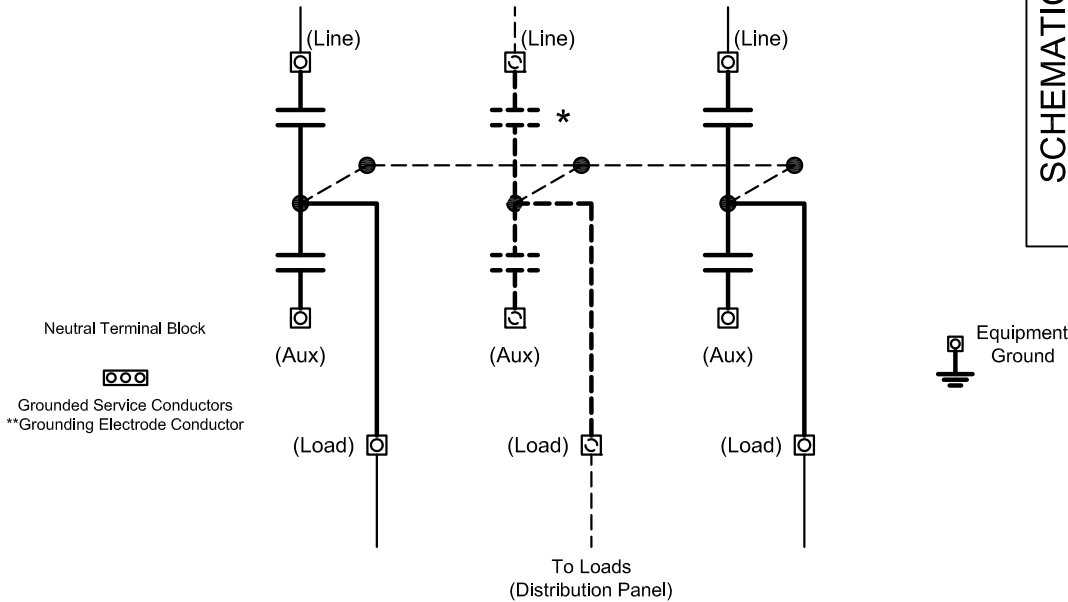


# METER-RITE®

Grade-Level Double-Throw Switch, Unfused  
 Catalog No. 7215, 7815, 7416, 7816  
 240 Vac



Type 3R Rainproof Enclosure  
 This Switch is "Suitable For Use As Service Equipment".  
 From Power Supplier



SCHEMATIC FOR CAT. NOS.  
 7215, 7815, 7416, 7816

RONK ELECTRICAL INDUSTRIES, INC.  
 NOKOMIS, ILLINOIS

Scale	NONE	Drawing Number <b>2-4829</b>
Drawn	GMW	
Date	12/04/13	
Approved	NCL	

\*\* If the grounding electrode's (ground rod's) conductor will be connected to this switch, the neutral block must be bonded to the switch's enclosure. To bond the neutral block to the enclosure, remove the plastic bolt located on the left-hand side of the enclosure. Replace it with the green headed bonding bolt, which can be found in the plastic accessories bag that is supplied with the switch. If the grounding electrode's conductor will be connected somewhere else, then do not install the green headed bonding bolt.

**See Sections 230 and 250 of the NEC for additional rules regarding Service Installations and Grounding. Per 230-91, when the Service Overcurrent Device is not an integral part of the Service Disconnecting Means, it "shall be located immediately adjacent thereto".**

\* Center (3rd) pole not on catalog Nos. 7205A AND 7406.

USE COPPER OR ALUMINUM WIRE RATED 75°C.

LOCATE OPENINGS FOR CONDUIT BELOW OPERATING HANDLE UNLESS LIQUID TIGHT HARDWARE IS UTILIZED.

**WARNING: ALL ADJUSTMENTS ON SWITCH HAVE BEEN MADE AT FACTORY AND MUST NOT BE CHANGED IN FIELD.**

SWITCH CATALOG NUMBER	PHASE	AMPS	CUSTOMER CONNECTIONS			
			LINE LUGS	AUX LUGS	LOAD LUGS	NEUTRAL
7215	1Ø	200	250 MCM- #6 CU-AL (1-HOLE LUG)	250 MCM- #6 CU-AL (1-HOLE LUG)	250 MCM- #6 CU-AL (1 or 4-HOLE LUG)	350 MCM- #6 CU-AL (4-HOLE BAR)
7815	3Ø					
7416	1Ø	400	(2) 250 MCM-1/0 or (1) 600 MCM- #4 CU-AL (1-HOLE LUG)	(2) 250 MCM-1/0 or (1) 600 MCM- #4 CU-AL (1-HOLE LUG)	250 MCM- #6 CU-AL (4-HOLE LUG)	350 MCM- #6 CU-AL (6-HOLE BAR)
7816	3Ø			†	†	‡

TIGHTENING TORQUE	
SOCKET SIZE (INCH)	TORQUE (IN-LB)
1/8	45
5/32	100
3/16	120
7/32	150
1/4	200
5/16	250
3/8	375
1/2	500
9/16	600

† Wire bending space in the enclosure based on (2) 250 MCM, not (1) 600 MCM.

‡ Optional Load lug for 600 MCM wire available. Specify at time of purchase.

Revision Description  
 RE-DRAWN FOR CAD.

Rev	C	BY	GMW
CN		Date	