

DOOR-COUPLED ROTARY OPERATING MECHANISM FOR CIRCUIT-BREAKERS SIZE S3, GREY HANDLE

General technical data:		
product brandname		SIRIUS
Product designation		door-coupling rotary operating mechanism for heavy-duty operating conditions
Size of the circuit-breaker		S3
Design of the product		standard
Suitability for use		circuit-breakers S3
Protection class IP on the front		IP65
Ambient temperature		
• during storage	°C	-50 ... +80
• during operation	°C	-20 ... +70
Operating frequency maximum	1/h	15
Color of the actuating element		gray

Installation/ mounting/ dimensions:		
Mounting position		any
Mounting type		screw fixing
Width	mm	75
Height	mm	75
Depth	mm	78
Length	mm	300
Diameter	mm	40
Required spacing for grounded parts		
• forwards	mm	0
• Backwards	mm	0
• upwards	mm	0
• at the side	mm	0
• downwards	mm	0

Certificates/ approvals:		
Certificate of suitability		CE / UL / CSA

General Product Approval	Declaration of Conformity	Test Certificates	Shipping Approval
--------------------------	---------------------------	-------------------	-------------------



[Special Test Certificate](#)



other

[Confirmation](#)

[Environmental Confirmations](#)



Further information

Information- and Downloadcenter (Catalogs, Brochures,...)

<http://www.siemens.com/industrial-controls/catalogs>

Industry Mall (Online ordering system)

<http://www.siemens.com/industrymall>

Cax online generator

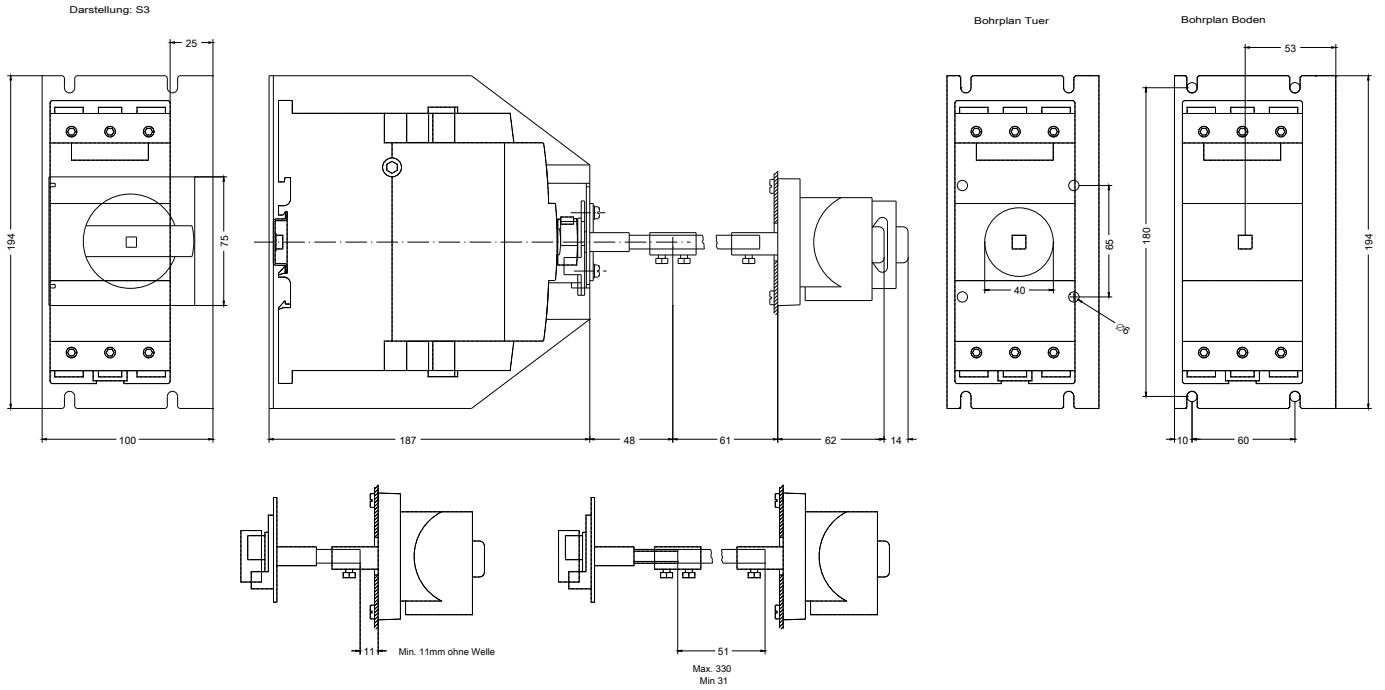
<http://support.automation.siemens.com/WW/CAXorder/default.aspx?lang=en&mlfb=3RV1946-2B>

Service&Support (Manuals, Certificates, Characteristics, FAQs,...)

<https://support.industry.siemens.com/cs/ww/en/ps/3RV1946-2B>

Image database (product images, 2D dimension drawings, 3D models, device circuit diagrams, EPLAN macros, ...)

http://www.automation.siemens.com/bilddb/cax_de.aspx?mlfb=3RV1946-2B&lang=en



last modified:

06/09/2017