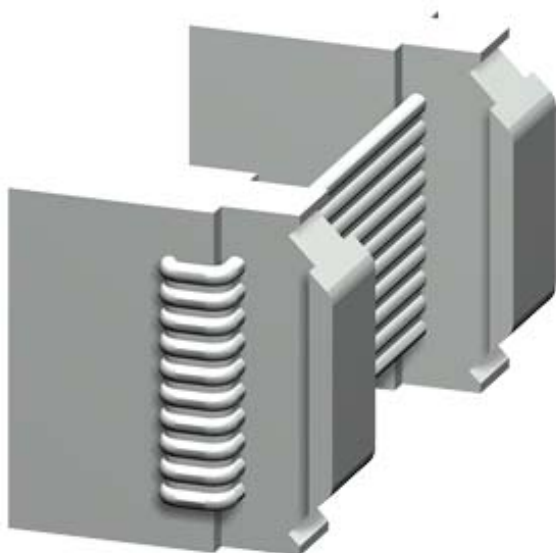






CONNECTION CABLE; LENGTH 0,025M; FLAT; CONNECTION OF BASIC UNIT TO EXPANSION MODULES VIA SYSTEM INTERFACE




General technical data:

|                              |   |
|------------------------------|---|
| <b>product brandname</b>     | SIRIUS                                  |
| <b>Product designation</b>   | Connection cable/length 0.025 m/flat    |
| <b>Design of the product</b> | For connection of the system components |
| <b>Ambient temperature</b>   |   |
| • during storage             | -40 ... +80 °C                          |
| • during operation           | -25 ... +60 °C                          |
| • during transport           | -40 ... +80 °C                          |

Certificates/ approvals:

|   |   |   |  |
|---|---|---|--|
| General Product Approval  | EMC   | Test Certificates   | Shipping Approval  |
| <br>UL |  | <br>C-Tick | <br>ABS |
|   |   | <a href="#">Special Test Certificate</a>  | <a href="#">Type Test Certificates/Test Report</a>   |

|   |   |
|---|---|
| Shipping Approval   | other   |
| <br>BUREAU VERITAS | <br>DNV    |
| <br>GL             | <br>PRS    |
|   | <br>RMRS |
|   | <a href="#">Confirmation</a>  |

|  |   |   |
|--|---|---|
| other                                  |   |   |
| <a href="#">PROFINET-Certification</a> | <br>Profibus | <a href="#">PROFIsafe-Certification</a> |

#### Further information

##### Information- and Downloadcenter (Catalogs, Brochures,...)

<http://www.siemens.com/industrial-controls/catalogs>

##### Industry Mall (Online ordering system)

<https://mall.industry.siemens.com/mall/en/en/Catalog/product?mlfb=3UF7930-0AA00-0>

##### Cax online generator

<http://support.automation.siemens.com/WW/CAXorder/default.aspx?lang=en&mlfb=3UF7930-0AA00-0>

##### Service&Support (Manuals, Certificates, Characteristics, FAQs,...)

<https://support.industry.siemens.com/cs/ww/en/ps/3UF7930-0AA00-0>

##### Image database (product images, 2D dimension drawings, 3D models, device circuit diagrams, EPLAN macros, ...)

[http://www.automation.siemens.com/bilddb/cax\\_de.aspx?mlfb=3UF7930-0AA00-0&lang=en](http://www.automation.siemens.com/bilddb/cax_de.aspx?mlfb=3UF7930-0AA00-0&lang=en)

