

External machining

Shank tools and Coromant Capto® units

Holders for negative inserts

CoroTurn® RC rigid clamp	A276
T-Max P lever	A282
T-Max® P screw and top clamp	A288
T-Max® P wedge clamp	A288

Holders for positive inserts

CoroTurn® 107 screw clamp	A290
---------------------------	------

Holders for ceramic inserts

CoroTurn® RC rigid clamp	A298
T-Max® top clamp	A302

Internal machining

Shank tools and Coromant Capto® units

Boring bars for negative basic-shape inserts

CoroTurn® RC rigid clamp	A304
T-Max P lever	A305
T-Max® P screw and top clamp	A307
T-Max® P wedge clamp	A308

Boring bars for positive basic-shape inserts

CoroTurn® 107 screw clamp	A310
CoroTurn® 111 screw clamp	A314

Boring bars for ceramic inserts

T-Max® top clamp	A316
------------------	------

CoroTurn® SL

Cutting heads and boring bars

Cutting heads for negative basic-shape inserts

CoroTurn® RC rigid clamp	A317
T-Max P lever	A318

Cutting heads for positive basic-shape inserts

CoroTurn® 111 screw clamp	A318
CoroTurn® 107 screw clamp	A319

Boring bars and adaptors

Boring type 570-2C and 570-3C	A320
Reduction adaptor	A320
Coromant Capto® boring adaptor	A321

CoroTurn® SL quick change**Boring bars and adaptors**

Boring bar	A322
580 Boring bar adaptor	A322
Adaptor for CoroTurn® SL cutting heads	A322
Adaptor for square shank tools	A322

Build-in tools**Cartridges for negative basic-shape inserts**

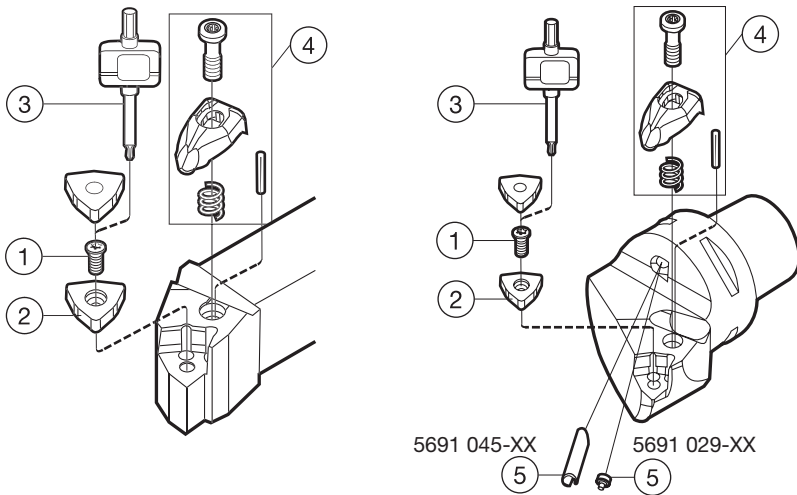
CoroTurn® RC rigid clamp	A323
T-Max® P Lever clamp	A324
T-Max® P wedge clamp	A325


Cartridges for positive basic-shape inserts

CoroTurn® 107 screw clamp	A326
Round shank boring tools, screw clamp	A327

For spare parts for Coromant Capto® Multi-Task machining tools, see chapter H

CoroTurn® RC rigid clamp design



		1	2	3	4 ¹⁾²⁾	5
Shank holders	Coromant Capto®	Shim screw	Shim (For insert thickness)	Key (Torx Plus)	Complete clamp set	Coolant nozzle
						
DCLNR/L 1616H09	C3-DCLNR/L-22040-09	5513 020-04	5322 236-04 (3.18)	5680 051-03 (9IP)	5412 028-011	-
DCLNR/L 2020K09	C4-DCLNR/L-27050-09					
DCLNR/L 2525M09	-					
DCLNR/L 1616H12	C3-DCLNR/L-22045-12	5513 020-02	5322 236-03 (4.76)	5680 049-01 (15IP)	5412 028-021 5412 034-021 ³⁾ 5412 032-021 ⁴⁾	- - -
DCLNR/L 2020K12	C4-DCLNR/L-27050-12	5513 020-02	5322 234-01 (4.76)	5680 049-01 (15IP)	5412 028-021	5691 045-01
DCLNR/L 2525M12	C5-DCLNR/L-35060-12		5322 234-02 (7.94) ¹⁾		5412 034-021 ³⁾	5691 045-01
DCLNR/L 3225P12	C6-DCLNR/L-45065-12				5412 032-021 ⁴⁾	5691 045-01
DCLNR/L 3232P12	C8-DCLNR/L-55080-12					5691 045-01
DCLNR/L 4040S12	-					-
DCLNR/L 2525M16	C4-DCLNR/L-27055-16	5513 020-07	5322 234-03 (6.35)	5680 043-14 (20IP)	5412 028-031	5691 045-01
DCLNR/L 3225P16	C5-DCLNR/L-35060-16		5322 234-04 (7.94) ¹⁾		5412 034-031 ³⁾	5691 045-01
DCLNR/L 3232P16	C6-DCLNR/L-45065-16				5412 032-031 ⁴⁾	5691 045-01
DCLNR/L 3232P16	C8-DCLNR/L-55080-16					5691 045-01
DCLNR/L 2525M19	C5-DCLNR/L-35060-19	5513 020-07	5322 236-01 (6.35)	5680 043-14 (20IP)	5412 028-041	5691 045-01
DCLNR/L 3232P19	C6-DCLNR/L-45065-19					5691 045-01
DCLNR/L 3225P19	C8-DCLNR/L-55080-19					5691 045-01
DCLNR/L 4040S19	-					5691 045-01
DCLNR/L 4040S25	C8-DCLNR/L-55080-25	5513 020-08	5322 234-05 (7.94)	5680 049-15 (25IP)	5412 028-051	5691 045-01
DCLNR/L 5050T25	-					-
DCBNR/L 2020K12	C4-DCRNR/L-22050-12	5513 020-02	5322 234-01 (4.76)	5680 049-01 (15IP)	5412 028-021	5691 029-08
DCBNR/L 2525M12	C5-DCRNR/L-27060-12		5322 234-02 (7.94) ¹⁾		5412 034-021 ³⁾	5691 045-01
DCBNR/L 3225P12	C6-DCRNR/L-35065-12				5412 032-021 ⁴⁾	5691 045-01
DCBNR/L 3232P12	-					-
DCBNR/L 4040S12	-					-
DCBNR/L 2525M16	C5-DCRNR/L-27060-16	5513 020-07	5322 234-03 (6.35)	5680 043-14 (20IP)	5412 028-031	5691 045-01
DCBNR/L 3225P16	C6-DCRNR/L-35065-16		5322 234-04 (7.94) ¹⁾		5412 034-031 ³⁾	5691 045-01
DCBNR/L 3232P16	C8-DCRNR/L-55080-16				5412 032-031 ⁴⁾	5691 045-01
DCBNR/L 4040S16	-					-
DCBNR/L 3232P19	C5-DCRNR/L-27060-19	5513 020-07	5322 236-01 (6.35)	5680 043-14 (20IP)	5412 028-041	5691 029-09
DCBNR/L 4040S19	C6-DCRNR/L-35065-19					5691 045-01
	C8-DCRNR/L-55080-19					5691 045-01
DCKNR/L 2020K12	C6-DCKNR/L-45065-12	5513 020-02	5322 234-01 (4.76)	5680 049-01 (15IP)	5412 028-021	5691 029-08
DCBNR/L 2525M12	C5-DCKNR/L-35060-12		5322 234-02 (7.94) ¹⁾		5412 034-021 ³⁾	5691 029-09
DCBNR/L 3225P12	C6-DCKNR/L-45065-12				5412 032-021 ⁴⁾	5691 029-09

1) Optional part delivered to separate order




2) For clamp set parts, see page A281.

3) Clamp sets for ceramic inserts without hole

4) Clamp sets for ceramic inserts with hole

Ordering example: 10 pieces 5513 020-04

CoroTurn® RC rigid clamp design

		1	2	3	4 ¹⁾²⁾	5
Shank holders	Coromant Capto®	Shim screw	Shim (For insert thickness)	Key (Torx Plus)	Complete clamp set	Coolant nozzle
						
DCKNR/L 3232P16	C4-DCKNR/L-27050-16	5513 020-07	5322 234-03 (6.35)	5680 043-14 (20IP)	5412 028-031	5691 045-01
DCBNR/L 4040S16	C5-DCKNR/L-35060-16		5322 234-04 (7.94) ¹⁾		5412 034-031 ³⁾	5691 029-09
	C6-DCKNR/L-45065-16				5412 032-031 ⁴⁾	5691 029-09
	C6-DCKNR/L-45065-19	5513 020-07	5322 236-01 (6.35)	5680 043-14 (20IP)	5412 028-041	5691 029-09
	C8-DCKNR/L-55080-19					5691 029-09
	C5-DCMNN-00105-12	5513 020-02	5322 234-01 (4.76)	5680 049-01 (15IP)	5412 028-021	5691 029-09
	C6-DCMNN-00090-12		5322 234-02 (7.94) ¹⁾		5412 034-021 ³⁾	5691 029-10
	C6-DCMNN-00115-12				5412 032-021 ⁴⁾	5691 029-10
	C6-DCMNN-00090-16	5513 020-07	5322 234-03 (6.35)	5680 043-14 (20IP)	5412 028-031	5691 029-10
	C8-DCMNN-00150-16		5322 234-04 (7.94) ¹⁾		5412 034-031 ³⁾	5691 029-10
					5412 032-031 ⁴⁾	
						
DDHNR/L 2020K15	C4-DDHNR/L-27055-15	5513 020-02	5322 266-02 (6.35)	5680 049-01 (15IP)	5412 028-021	5691 045-01
DDHNR/L 2525M15	C5-DDHNR/L-35060-15		5322 266-01 (4.76) ¹⁾		5412 034-021 ³⁾	5691 045-01
DDHNR/L 3225P15	C6-DDHNR/L-45065-15		5322 266-03 (7.94) ¹⁾		5412 032-021 ⁴⁾	5691 045-01
DDHNR/L 3232P15	C8-DDHNR/L-55080-15					5691 045-01
DDJNR/L 1616H11	C3-DDJNR/L-22045-11	5513 020-04	5322 267-01 (4.76)	5680 051-03 (9IP)	5412 028-011	5691 045-01
DDHNR/L 2020K11	C4-DDJNR/L-27050-11					5691 029-08
DDHNR/L 2525M11	C5-DDJNR/L-35060-11					5691 029-09
DDHNR/L 3225P11	C6-DDJNR/L-45065-11					5691 029-09
DDHNR/L 3232P11	-					-
DDJNR/L 2020K15	C4-DDJNR/L-27055-15	5513 020-02	5322 266-02 (6.35)	5680 049-01 (15IP)	5412 028-021	5691 029-08
DDHNR/L 2525M15	C5-DDJNR/L-35060-15		5322 266-01 (4.76) ¹⁾		5412 034-021 ³⁾	5691 045-01
DDHNR/L 3225P15	C6-DDJNR/L-45065-15		5322 266-03 (7.94) ¹⁾		5412 032-021 ⁴⁾	5691 029-09
DDHNR/L 3232P15	C8-DDJNR/L-55080-15					5691 029-10
DDHNR/L 4040S15	-					-
	C4-DDUNR/L-27050-15	5513 020-02	5322 266-02 (6.35)	5680 049-01 (15IP)	5412 028-021	5691 029-09
	C5-DDUNR/L-35060-15		5322 266-01 (4.76) ¹⁾		5412 034-021 ³⁾	5691 029-09
	C6-DDUNR/L-45065-15		5322 266-03 (7.94) ¹⁾		5412 032-021 ⁴⁾	5691 029-10
	C8-DDUNR/L-55080-15					5691 029-10
DDNNN 2020K11	C4-DDNNN-00050-11	5513 020-04	5322 267-01 (4.76)	5680 051-03 (9IP)	5412 028-011	5691 029-08
DDNNN 2525M11	C5-DDNNN-00060-11					5691 045-01
DDNNN 2525M15	C4-DDNNN-00055-15	5513 020-02	5322 266-02 (6.35)	5680 049-01 (15IP)	5412 028-021	5691 029-08
DDNNN 3225P15	C5-DDNNN-00060-15		5322 266-01 (4.76) ¹⁾		5412 034-021 ³⁾	5691 045-01
DDNNN 3232P15	C6-DDNNN-00065-15		5322 266-03 (7.94) ¹⁾		5412 032-021 ⁴⁾	5691 045-01
DDNNN 4040S15	C8-DDNNN-00080-15					5691 045-01
	C5-DDMNL-00115-15	5513 020-02	5322 266-02 (6.35)	5680 049-01 (15IP)	5412 028-021	5691 029-09
	C6-DDMNL-00130-15		5322 266-01 (4.76) ¹⁾		5412 034-021 ³⁾	5691 029-10
	C6-DDMNL-33120-15		5322 266-03 (7.94) ¹⁾		5412 032-021 ⁴⁾	5691 029-10
	C8-DDMNL-00160-15					5691 029-10
						
DRSNR/L 2020K09	-	5513 020-04	5322 156-01 (3.18)	5680 051-03 (9IP)	5412 028-011	-
DRSNR/L 2525M12	C4-DRSNR/L-27050-12	5513 020-02	5322 155-02 (4.76)	5680 049-01 (15IP)	5412 028-021	5691 029-08
	C5-DRSNR/L-35060-12					5691 045-01
	C6-DRSNR/L-45065-12					5691 045-01
DRSNR/L 3225P15	-	5513 020-07	5322 155-04 (6.35)	5680 043-14 (20IP)	5412 028-031	-
DRSNR/L 3232P19	-	5513 020-07	5322 155-06 (6.35)	5680 043-14 (20IP)	5412 028-041	-
DRSNR/L 4040S25	-	5513 020-08	5322 155-07 (9.52)	5680 043-15 (25IP)	5412 028-051	-

1) Optional part delivered to separate order


2) For clamp set parts, see page A281.

3) Clamp sets for ceramic inserts without hole

4) Clamp sets for ceramic inserts with hole

Ordering example: 10 pieces 5513 020-07

CoroTurn® RC rigid clamp design

		1	2	3	4 ¹⁾²⁾	5
Shank holders	Coromant Capto®	Shim screw	Shim (For insert thickness)	Key (Torx Plus)	Complete clamp set	Coolant nozzle
						
DSDNN 1616H09	–	5513 020-04	5322 426-01 (3.18)	5680 051-03 (9IP)	5412 028-011	–
	C3-DSDNN-00048-12	5513 020-02	5322 426-02 (4.76)	5680 049-01 (15IP)	5412 028-021 5412 034-021 ³⁾ 5412 032-021 ⁴⁾	–
DSDNN 2020K12	C4-DSDNN-00050-12	5513 020-02	5322 425-01 (4.76)	5680 049-01 (15IP)	5412 028-021	5691 029-08
DSDNN 2525M12	C5-DSDNN-00060-12		5322 425-02 (7.94) ¹⁾		5412 034-021 ³⁾	5691 045-01
DSDNN 3225P12	C6-DSDNN-00065-12				5412 032-021 ⁴⁾	5691 045-01
DSDNN 3232P12	–					–
DSDNN 2525M15	C5-DSDNN-00060-15	5513 020-07	5322 425-03 (6.35)	5680 043-14 (20IP)	5412 028-031	5691 045-01
	C6-DSDNN-00065-15		5322 425-05 (7.94) ¹⁾		5412 034-031 ³⁾ 5412 032-031 ⁴⁾	5691 045-01
DSDNN 3225P19	C5-DSDNN-00065-19	5513 020-07	5322 425-04 (6.35)	5680 043-14 (20IP)	5412 028-041	5691 045-01
DSDNN 3232P19	C6-DSDNN-00070-19					5691 045-01
DSDNN 4040S25	C8-DSDNN-00080-25	5513 020-08	5322 425-07 (7.94)	5680 043-15 (25IP)	5412 028-051	5691 045-01
DSDNN 4040S25	C8-DSDNN-00080-25		5322 425-08 (9.52) ¹⁾			
DSKNR/L 2020K09	–	5513 020-04	5322 426-01 (3.18)	5680 051-03 (9IP)	5412 028-011	–
	C3-DSKNR/L-22040-12	5513 020-02	5322 426-02 (4.76)	5680 049-01 (15IP)	5412 028-021 5412 034-021 ³⁾ 5412 032-021 ⁴⁾	5691 029-08
DSKNR/L 2020K12	C4-DSKNR/L-27050-12	5513 020-02	5322 425-01 (4.76)	5680 049-01 (15IP)	5412 028-021	5691 029-08
DSKNR/L 2020K12	C4-DSKNR/L-27050-12		5322 425-02 (7.94) ¹⁾		5412 034-021 ³⁾ 5412 032-021 ⁴⁾	
DSKNR/L 2020K12	C4-DSKNR/L-27050-12					
DSKNR/L 2525M12	C5-DSKNR/L-35060-12					5691 029-09
DSKNR/L 3225P12	C6-DSKNR/L-45065-12					5691 029-09
DSKNR/L 3232P15	C5-DSKNR/L-35060-15	5513 020-07	5322 425-03 (6.35)	5680 043-14 (20IP)	5412 028-031	5691 029-09
	C6-DSKNR/L-45065-15		5322 425-05 (7.94) ¹⁾		5412 034-031 ³⁾ 5412 032-031 ⁴⁾	5691 029-09
DSKNR/L 3232P19	C6-DSKNR/L-45065-19	5513 020-07	5322 425-04 (6.35)	5680 043-14 (20IP)	5412 028-041	5691 029-09
DSKNR/L 4040S19	C6-DSKNR/L-45065-19					5691 045-01
	C8-DSKNR/L-55080-19					5691 045-01
DSKNR/L 5050T25	C8-DSKNR/L-55080-25	5513 020-08	5322 425-07 (7.94)	5680 043-15 (25IP)	5412 028-051	5691 045-01
			5322 425-08 (9.52) ¹⁾			
DSBNNR/L 1616H09	–	5513 020-04	5322 426-01 (3.18)	5680 051-03 (9IP)	5412 028-011	–
DSKNR/L 2020K09	–					–
DSKNR/L 2525M09	–					–
	C3-DSRNR/L-19048-12	5513 020-02	5322 426-02 (4.76)	5680 049-01 (15IP)	5412 028-021 5412 034-021 ³⁾ 5412 032-021 ⁴⁾	–
DSBNNR/L 2525M12	C4-DSRNR/L-22050-12	5513 020-02	5322 425-01 (4.76)	5680 049-01 (15IP)	5412 028-021	5691 045-01
DSKNR/L 2020K12	C5-DSRNR/L-27060-12		5322 425-02 (7.94) ¹⁾		5412 034-021 ³⁾	5691 045-01
DSKNR/L 3225P12	C6-DSRNR/L-35065-12				5412 032-021 ⁴⁾	5691 045-01
DSKNR/L 3232P12	–					–
DSKNR/L 4040S12	–					–
DSBNNR/L 2525M15	C5-DSRNR/L-27060-15	5513 020-07	5322 425-03 (6.35)	5680 043-14 (20IP)	5412 028-031	5691 045-01
DSKNR/L 3225P15	C6-DSRNR/L-35065-15		5322 425-05 (7.94) ¹⁾		5412 034-031 ³⁾ 5412 032-031 ⁴⁾	5691 045-01
DSKNR/L 3232P15	–					–
DSBNNR/L 3232P19	C6-DSRNR/L-35065-19	5513 020-07	5322 425-04 (6.35)	5680 043-14 (20IP)	5412 028-041	5691 045-01
DSKNR/L 4040S19	C5-DSRNR/L-27060-19					5691 045-01
	C8-DSRNR/L-45080-19					5691 045-01
DSBNNR/L 4040S25	C8-DSRNR/L-45080-25	5513 020-08	5322 425-07 (7.94)	5680 043-15 (25IP)	5412 028-051	5691 045-01
DSKNR/L 5050T25	–		5322 425-08 (9.52) ¹⁾			–
DSSNR/L 1616H09		5513 020-04	5322 426-01 (3.18)	5680 051-03	5412 028-011	–
DSSNR/L 2020K09		–				–
DSSNR/L 2525M09		–				–
	C3-DSSNR/L-22040-12	5513 020-02	5322 426-02 (4.76)	5680 049-01 (15IP)	5412 028-021 5412 034-021 ³⁾ 5412 032-021 ⁴⁾	–
DSSNR/L 2020K12	C4-DSSNR/L-27042-12	5513 020-02	5322 425-01 (4.76)	5680 049-01 (15IP)	5412 028-021	5691 029-08
DSSNR/L 2525M12	C5-DSSNR/L-35052-12		5322 425-02 (7.94)		5412 034-021	5691 029-09
DSSNR/L 3225P12	C6-DSSNR/L-45056-12				5412 032-021	5691 045-01
DSSNR/L 3232P12	–					–
DSSNR/L 2525M15	C4-DSSNR/L-27045-15	5513 020-07	5322 425-03 (6.35)	5680 043-14 (20IP)	5412 028-031	5691 029-08
DSSNR/L 3225P15	C5-DSSNR/L-35050-15		5322 425-05 (7.94)		5412 034-031 ³⁾	5691 029-09
DSSNR/L 3232P15	C6-DSSNR/L-45054-15				5412 032-031 ⁴⁾	5691 045-01
DSSNR/L 3232P19	C5-DSSNR/L-35048-19	5513 020-07	5322 425-04 (6.35)	5680 043-14 (20IP)	5412 028-041	5691 029-09
DSSNR/L 4040S19	C6-DSSNR/L-45052-19	5691 029-09				5691 029-09
DSSNR/L	C8-DSSNR/L-55070-25	5513 020-08	5322 425-07 (7.94)	5680 043-15 (25IP)	5412 028-051	5691 045-01
			5322 425-08 (9.52)			

1) Optional part delivered to separate order

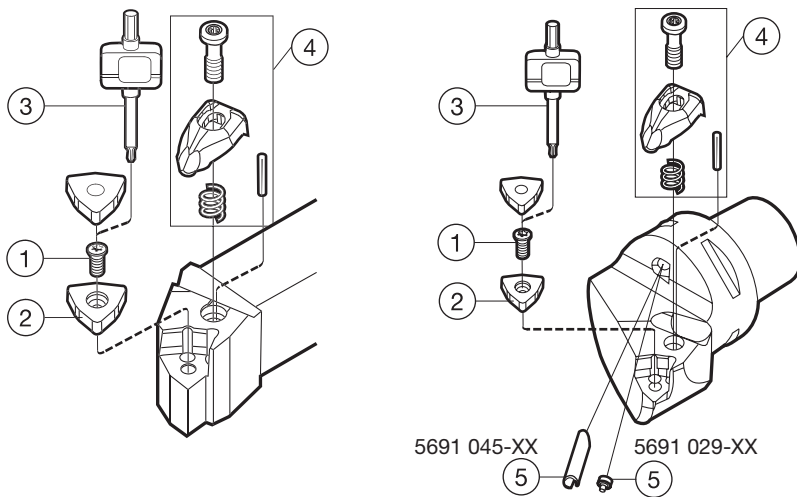
2) For clamp set parts, see page A281.

3) Clamp sets for ceramic inserts without hole

4) Clamp sets for ceramic inserts with hole

Ordering example: 10 pieces 5513 020-04

CoroTurn® RC rigid clamp design



Shank holders	Coromant Capto®	1 Shim screw	2 Shim (For insert thickness)	3 Key (Torx Plus)	4) ¹⁾ Complete clamp set	5 Coolant nozzle
DTFNR/L 1616H16		5513 020-04	5322 316-01 (4.76)	5680 051-03 (9IP)	5412 028-011	–
DTFNR/L 2020K16	C4-DTFNR/L-27050-16	5513 020-04	5322 315-02 (4.76)	5680 051-03 (9IP)	5412 028-011	5691 045-01
DTFNR/L 2525M16	C5-DTFNR/L-35060-16					5691 045-01
DTFNR/L 3225P16	C6-DTFNR/L-45065-16					5691 045-01
DTFNR/L 2525M22	C4-DTFNR/L-27050-22	5513 020-02	5322 315-04 (4.76)	5680 049-01 (15IP)	5412 028-021	5691 045-01
DTFNR/L 3225P22	C5-DTFNR/L-35060-22				5412 034-021	5691 045-01
DTFNR/L 3232P22	C6-DTFNR/L-45065-22				5412 032-021	5691 045-01
DTFNR/L 3232P27		5513 020-07	5322 315-05 (6.35)	5680 043-14 (20IP)	5412 028-031	–
DTFNR/L 4040S27						–
DTFNR/L 4040S33		5513 020-07	5322 315-06 (7.94)	5680 043-14 (20IP)	5412 028-041	–
DTGNR/L 1616H16		5513 020-04	5322 316-01 (4.76)	5680 051-03 (9IP)	5412 028-011	–
DTGNR/L 2020K16	C4-DTGNR/L-27050-16	5513 020-04	5322 315-02 (4.76)	5680 051-03 (9IP)	5412 028-011	5691 045-01
DTGNR/L 2525M16	C5-DTGNR/L-35060-16					5691 045-01
DTGNR/L 3225P16	C6-DTGNR/L-45065-16					5691 045-01
DTGNR/L 2525M22	C4-DTGNR/L-27050-22	5513 020-02	5322 315-04 (4.76)	5680 049-01 (15IP)	5412 028-021	5691 045-01
DTGNR/L 3225P22	C5-DTGNR/L-35060-22				5412 034-021 ³⁾	5691 045-01
DTGNR/L 3232P22	C6-DTGNR/L-45065-22				5412 032-021 ⁴⁾	5691 045-01
DTGNR/L 3232P27		5513 020-07	5322 315-05 (6.35)	5680 043-14 (20IP)	5412 028-31	–
DTGNR/L 4040S27						–
DTJNR/L 1616H16		5513 020-04	5322 316-01 (4.76)	5680 051-03 (9IP)	5412 028-011	–
DTJNR/L 2020K16	C3-DTJNR/L-22040-16	5513 020-04	5322 315-02 (4.76)	5680 051-03 (9IP)	5412 028-011	–
DTJNR/L 2525M16	C4-DTJNR/L-27050-16					5691 045-01
DTJNR/L 3225P16	C5-DTJNR/L-35060-16					5691 045-01
DTJNR/L 2525M22	C6-DTJNR/L-45065-16					5691 045-01
DTJNR/L 3225P22	C4-DTJNR/L-27050-22	5513 020-02	5322 315-04 (4.76)	5680 049-01 (15IP)	5412 028-021	5691 045-01
DTJNR/L 3232P22	C5-DTJNR/L-35060-22				5412 034-021 ³⁾	5691 045-01
	C6-DTJNR/L-45065-22				5412 032-021 ⁴⁾	5691 045-01
DTJNR/L 3232P27	C6-DTJNR/L-45065-27	5513 020-07	5322 315-05 (6.35)	5680 043-14 (20IP)	5412 028-31	5691 045-01
DTJNR/L 4040S27						–
DTTNR/L 1616H16		5513 020-04	5322 316-01 (4.76)	5680 051-03 (9IP)	5412 028-011	–
DTTNR/L 2020K16	C4-DTTNR/L-22050-16	5513 020-04	5322 315-02 (4.76)	5680 051-03 (9IP)	5412 028-011	5691 029-08
	C5-DTTNR/L-27060-16					5691 029-09
DTTNR/L 2525M22	C5-DTTNR/L-27060-22	5513 020-02	5322 315-04 (4.76)	5680 049-01 (15IP)	5412 028-021	5691 029-09
DTTNR/L 3225P22	C6-DTTNR/L-35065-22				5412 034-021 ³⁾	5691 029-09
					5412 032-021 ⁴⁾	

1) Optional part delivered to separate order

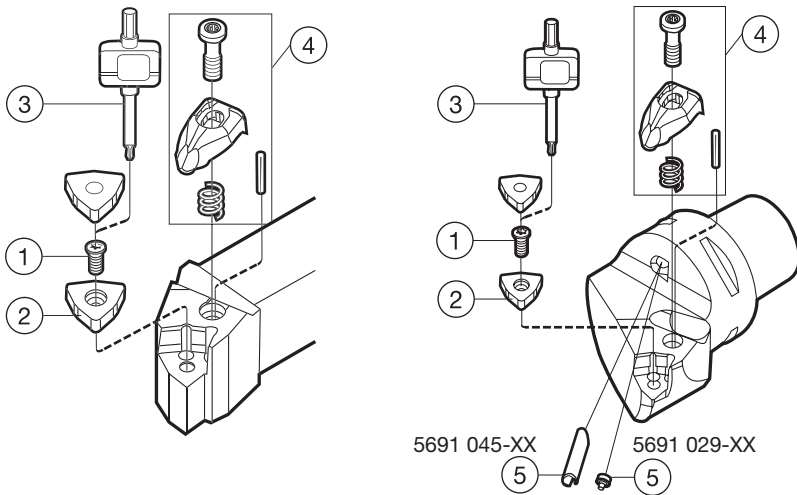
2) For clamp set parts, see page A281.



3) Clamp sets for ceramic inserts without hole

4) Clamp sets for ceramic inserts with hole

Ordering example: 10 pieces 5513 020-04

CoroTurn® RC rigid clamp design



		1	2	3	4 ¹⁾²⁾	5
Shank holders	Coromant Capto®	Shim screw	Shim (For insert thickness)	Key (Torx Plus)	Complete clamp set	Coolant nozzle
 DVPNR/L 2525M16 DVPNR/L 3225P16 DVPNR/L 3232P16 DVPNR/L 4040S16		5513 020-09	5322 269-01 (4.76)	5680 049-01 (15IP)	5412 028-061	- - - -
DVJNR/L 2020K16 C4-DVJNR/L-27062-16 DVJNR/L 2525M16 C5-DVJNR/L-35065-16 DVJNR/L 3225P16 C6-DVJNR/L-45065-16 DVJNR/L 3232P16 C8-DVJNR/L-55080-16 DVJNR/L 4040S16		5513 020-09	5322 269-01 (4.76)	5680 049-01 (15IP)	5412 028-061	5691 029-08 5691 029-09 5691 029-09 5691 029-10 -
DVVNN 2020K16 C4-DVVNN-00062-16 DVVNN 2525M16 C5-DVVNN-00065-16 DVVNN 3225P16 C6-DVVNN-00065-16 DVVNN 3232P16 C8-DVVNN-00080-16 DVVNN 4040S16		5513 020-09	5322 269-01 (4.76)	5680 049-01 (15IP)	5412 028-061	5691 029-08 5691 045-01 5691 045-01 5691 045-01 -
C8-DVMNL-00160-16		5513 020-09	5322 269-01 (4.76)	5680 049-01 (15IP)	5412 028-061	5691 029-10
 DWLNR/L 1616H06 C3-DWLNR/L-22040-06 DWLNR/L 2020K06 C4-DWLNR/L-27050-06 DWLNR/L 2525M06 C5-DWLNR/L-35060-06 DWLNR/L 3225P06 C6-DWLNR/L-45065-06 DWLNR/L 2020K08 C4-DWLNR/L-27050-08 DWLNR/L 2525M08 C5-DWLNR/L-35060-08 DWLNR/L 3225P08 C6-DWLNR/L-45065-08 DWLNR/L 3232P08 C8-DWLNR/L-55080-08 DWLNR/L 4040S08		5513 020-04	5322 328-01 (4.76)	5680 051-03 (9IP)	5412 028-011	- 5691 029-08 5691 045-01 5691 045-01
		5513 020-02	5322 331-12 (4.76)	5680 049-01 (15IP)	5412 028-021 5412 034-021 ³⁾ 5412 032-021 ⁴⁾	5691 029-08 5691 045-01 5691 045-01 5691 045-01 -

1) For clamp set parts, see page A281.

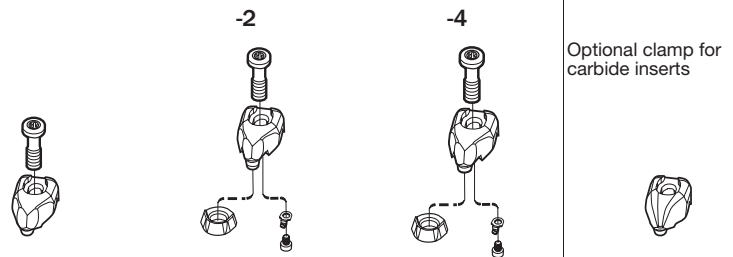
2) Optional part delivered to separate order

3) Clamp sets for ceramic inserts without hole

4) Clamp sets for ceramic inserts with hole

Ordering example: 10 pieces 5513 020-04

CoroTurn® RC clamp set parts



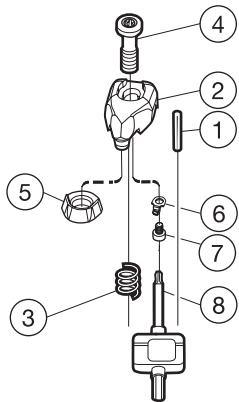
Optional clamp for carbide inserts

Insert
Type/size

						Standard clamp set for carbide inserts	Clamp set for ceramic insert with hole	Clamp set for ceramic flat insert without hole	For heavy machining
CNM.09	DNM.11	SNM.09	TNM.16	WNM.06	-	5412 028-011	-	-	
CNM.12	DNM.15	SNM.12	TNM.22	WNM.08	-	5412 028-021	5412 032-021	5412 034-021	5412 029-02
CNM.16	-	SNM.15	TNM.27	-	-	5412 028-031	5412 032-031	5412 034-031	5412 029-03
CNM.19	-	SNM.19	TNM.33	-	-	5412 028-041	-	-	5412 029-04
CNM.25	-	SNM.25	-	-	-	5412 028-051	-	-	
-	-	-	-	VNM.16	-	5412 028-061	-	-	

Note!

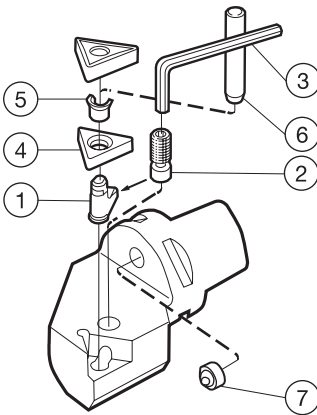
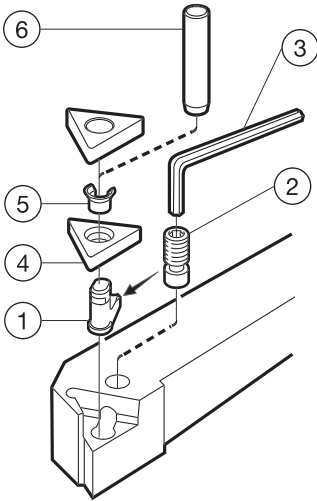
Going from one insert thickness to another, means that the cutting edge height also changes. In order to compensate for that, the shim must be replaced.



	1	2	3	4	5	6	7	8
Complete clamp set	Pin	Clamp	Compression spring	Screw	Pressure plate	Hook	Screw	Key (Torx Plus)
5412 028-011	3113 030-255	5412 028-01	5561 001-57	5512 086-01	-	-	-	-
5412 028-021	3113 030-307	5412 028-02	5561 001-58	5512 086-02	-	-	-	-
5412 028-031	3113 030-307	5412 028-03	5561 001-59	5512 086-03	-	-	-	-
5412 028-041	3113 030-307	5412 028-04	5561 001-59	5512 086-03	-	-	-	-
5412 028-051	3113 030-307	5412 028-05	5561 001-61	5512 086-04	-	-	-	-
5412 028-061	3113 030-307	5412 028-06	5561 001-58	5512 086-02	-	-	-	-
5412 032-021	3113 030-307	5412 032-02	5561 001-58	5512 086-02	5192 030-02	5411 012-01	5512 097-01	5680 051-02 (7IP)
5412 032-031	3113 030-307	5412 032-03	5561 001-59	5512 086-03	5192 030-03	5411 012-01	5512 097-01	5680 051-02 (7IP)
5412 034-021	3113 030-307	5412 034-02	5561 001-58	5512 086-02	5192 030-02	5411 012-01	5512 097-01	5680 051-02 (7IP)
5412 034-031	3113 030-307	5412 034-03	5561 001-59	5512 086-03	5192 030-03	5411 012-01	5512 097-01	5680 051-02 (7IP)

Ordering example: 10 pieces 3113 030-255

T-Max P lever design



Nozzle for Coromant Capto® cutting units

Cutting unit size	7 Nozzle
C3–C4	5691 029-01
C5–C6	5691 029-02
C8	5691 029-03

Shank holders	Coromant Capto®	1 Lever	2 Screw
PCBNR/L 2525M12		174.3-841M	174.3-821
PCBNR/L 2525M16		438.3-840	438.3-831
PCBNR/L 3225P16			
PCBNR/L 3232P16			
PCBNR/L 3232P19		174.3-842M	174.3-822M
PCBNR/L 4040S19			
PCLNR/L 1616H09	C3-PCLNR/L-22040-09	174.3-840M	174.3-820M
PCLNR/L 2020K09	C4-PCLNR/L-27050-09		
PCLNR/L 2525M09	C5-PCLNR/L-35060-09		
PCLNR/L 1616H12-M		174.3-848M	174.3-858
PCLNR/L 2020K12	C3-PCLNR/L-22040-12	174.3-841M	174.3-821
PCLNR/L 2525M12	C4-PCLNR/L-27050-12		
PCLNR/L 3225P12	C5-PCLNR/L-35060-12		
	C6-PCLNR/L-45065-12		
	C8-PCLNR/L-55080-12		
PCLNR/L 2525M16	C4-PCLNR/L-27050-16	438.3-840	438.3-831
PCLNR/L 3225P16	C5-PCLNR/L-35060-16		
PCLNR/L 3232P16	C6-PCLNR/L-45065-16		
	C8-PCLNR/L-55080-16		
PCLNR/L 2525M19	C5-PCLNR/L-35060-19	174.3-842M	174.3-822M
PCLNR/L 3225P19	C6-PCLNR/L-45065-19		
PCLNR/L 3232P19	C8-PCLNR/L-55080-19		
PCLNR/L 4040S19			
PCLNR/L 4040S25	C8-PCLNR/L-55080-25	174.3-844M	174.3-827
PCLNR/L 5050T25			
	C3-PCRNRL/L-17040-12	174.3-841M	174.3-821
	C4-PCRNRL/L-22050-12		
	C5-PCRNRL/L-27060-12		
	C6-PCRNRL/L-35065-12		
	C4-PCRNRL/L-22050-16	438.3-840	438.3-831
	C5-PCRNRL/L-27060-16		
	C6-PCRNRL/L-35065-16		
	C5-PCRNRL/L-27060-19	174.3-842M	174.3-822M
	C6-PCRNRL/L-35065-19		
PDJNR/L 1616H11		5432 001-01	174.3-820M
PDJNR/L 2020K11			
PDJNR/L 2525M11			
PDJNR/L 3225P11			
PDJNR/L 2020K15		174.3-847M	174.3-830
PDJNR/L 2525M15			
PDJNR/L 3225P15			
PDJNR/L 3232P15			
R/L171.35-4025-15		174.3-847M	174.3-830
R/L171.35-5032-15			
Negative			
PRG NR/L 2020K09		174.3-840M	174.3-820M
PRG NR/L 2525M12		174.3-841M	174.3-821
PRG NR/L 3225P15		174.3-843M	174.3-825
PRG NR/L 3232P19		174.3-842M	174.3-822M
PRG NR/L 4040S25		174.3-844M	174.3-827

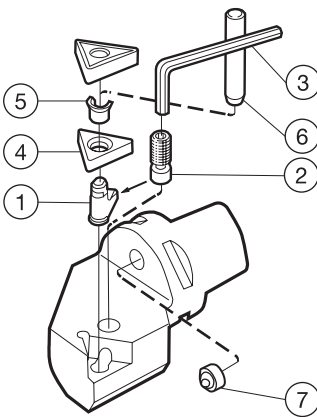
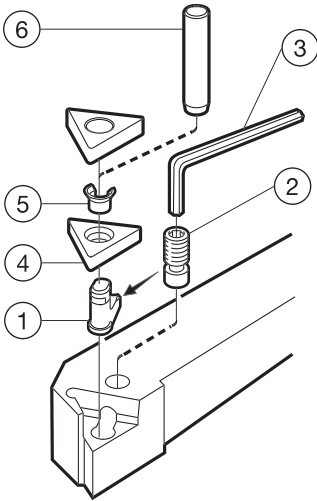
1) Optional part delivered to separate order

T-Max P lever design

3	4	5	6	
Key (mm)	Shim (For insert thickness)	Radius	Shim pin	Shim pin punch
174.1-864 (3.0)	171.31-850M (4.76)	0.4-1.6	174.3-861	174.3-871
174.1-864 (3.0)	171.31-852 (6.35)	0.4-2.4	174.3-864	174.3-873
3021 010-040 (4.0)	171.31-851M (6.35)	0.4-2.4	174.3-862	174.3-872
170.3-860 (2.5)	5322 230-02 (3.18)	0.4-1.2	174.3-863	174.3-870
174.1-864 (3.0)	171.31-850M (4.76)	0.4-1.6	174.3-861	174.3-871
174.1-864 (3.0)	171.31-850M (4.76)	0.4-1.6	174.3-861	174.3-871
174.1-864 (3.0)	171.31-852 (6.35)	0.4-2.4	174.3-864	174.3-873
3021 010-040 (4.0)	171.31-851M (6.35)	0.4-2.4	174.3-862	174.3-872
3021 010-050 (5.0)	5322 230-01 (9.52)	2.4-3.2	174.3-865	174.3-874
174.1-864 (3.0)	171.31-850M (4.76)	0.4-1.6	174.3-861	174.3-871
174.1-864 (3.0)	171.31-852 (6.35)	0.4-2.4	174.3-864	174.3-873
3021 010-040 (4.0)	171.31-851M (6.35)	0.4-2.4	174.3-862	174.3-872
174.1-863 (2.5)	5322 255-01 (4.76) 5322 255-02 (4.76) ¹⁾	0.4-0.8 1.2-1.6	174.3-860	174.3-870
174.1-864 (3.0)	171.35-851M (6.35) 171.35-850M (6.35) ¹⁾ 171.35-856 (4.76) ¹⁾ 171.35-855 (4.76) ¹⁾	0.4-0.8 1.2-1.6 0.4-0.8 1.2-1.6	174.3-861	174.3-871
174.1-864 (3.0)	171.35-851M (6.35) 171.35-850M (6.35) ¹⁾ 171.35-856 (4.76) ¹⁾ 171.35-855 (4.76) ¹⁾	0.4-0.8 1.2-1.6 0.4-0.8 1.2-1.6	174.3-861	174.3-871
170.3-860 (2.5)	176.3-850 (3.18)	–	174.3-863	174.3-870
174.1-864 (3.0)	176.3-851M (4.76)	–	174.3-861	174.3-871
174.1-864 (3.0)	176.3-854M (6.35)	–	174.3-864	174.3-873
3021 010-040 (4.0)	176.3-852M (6.35)	–	174.3-862	174.3-872
3021 010-050 (5.0)	176.3-853M (9.52)	–	174.3-865	174.3-874



Ordering example: 10 pieces 174.3-841M

T-Max P lever design



Nozzle for Coromant Capto® cutting units

Cutting unit size	7 Nozzle
C3–C4	5691 029-01
C5–C6	5691 029-02
C8	5691 029-03

		1	2
Shank holders	Coromant Capto®	Lever	Screw
Positive			
			
PRGCR/L 2020K10		176.39-840	174.3-834
PRGCR/L 2525M10			
PRGCR/L 2020K12		5432 005-01	174.3-820M
PRGCR/L 2525M12			
PRGCR/L 3225P12			
PRGCR/L 2525M16		176.39-842	174.3-833
PRGCR/L 3225P16			
PRGCR/L 3232P20	C8-PRSCR/L-55080-20	176.39-843	174.3-825
PRGCR/L 4040S25	C6-PRSCR/L-45065-25	176.39-844	174.3-832
	C8-PRSCR/L-55080-25		
PRGCR/L 5050T32	C8-PRSCR/L-55080-32	176.39-845	174.3-827
N 176.39-2020-10		176.39-840	174.3-834
N 176.39-2525-12		5432 005-01	174.3-820M
N 176.39-3225-12			
N 176.39-3225-16		176.39-842	174.3-833
N 176.39-3232-20		176.39-843	174.3-825
N 176.39-4040-25	C6-PRDCN-00065-25A	176.39-844	174.3-832
	C8-PRDCN-00080-25A		
N 176.39-5050-32	C8-PRDCN-00065-32A	176.39-845	174.3-827
			
PSRNR/L 1212F09		174.3-845-1	174.3-829
PSBNR/L 1616H09	C3-PSRNR/L-17040-09	174.3-840M	174.3-820M
PSBNR/L 2020K09	C4-PSRNR/L-22050-09		
PSBNR/L 2525M09			
PSBNR/L 2020K12	C3-PSRNR/L-17040-12	174.3-841M	174.3-821
PSBNR/L 2525M12	C4-PSRNR/L-22050-12		
PSBNR/L 3225P12	C5-PSRNR/L-27060-12		
	C6-PSRNR/L-35065-12		
PSBNR/L 2525M15	C4-PSRNR/L-22050-15	438.3-840	438.3-831
PSBNR/L 3225P15	C5-PSRNR/L-27060-15		
PSBNR/L 3232P15	C6-PSRNR/L-35065-15		
PSBNR/L 3232P19	C5-PSRNR/L-27060-19	174.3-842M	174.3-822M
PSBNR/L 4040S19	C6-PSRNR/L-35065-19		
PSBNR/L 4040S25	C8-PSRNR/L-45080-19		
PSBNR/L 5050T25	C8-PSRNR/L-45080-25	174.3-844M	174.3-827
PSSNR/L 1616H09		174.3-840M	174.3-820M
PSBNR/L 2020K09			
PSBNR/L 2525M09			
PSSNR/L 2020K12	C3-PSSNR/L-22032-12	174.3-841M	174.3-821
PSBNR/L 2525M12	C4-PSSNR/L-27042-12		
PSBNR/L 3225P12	C5-PSSNR/L-35052-12		
	C6-PSSNR/L-45065-12		
PSSNR/L 2525M15	C4-PSSNR/L-27040-15	438.3-840	438.3-831
PSBNR/L 3225P15	C5-PSSNR/L-35050-15		
PSBNR/L 3232P15	C6-PSSNR/L-45054-15		
PSSNR/L 3232P19	C6-PSSNR/L-35048-19	174.3-842M	174.3-822M
PSBNR/L 4040S19	C8-PSSNR/L-45052-19		
PSSNR/L 4040S25		174.3-844M	174.3-827
PSDNN 1010E09		174.3-845-1	174.3-829
PSDNN 1212F09			
PSDNN 1616H09		174.3-840M	174.3-820M
PSDNN 2020K12	C3-PSDNN- 00040-12	174.3-841M	174.3-821
PSDNN 2525M12	C4-PSDNN- 00050-12		
PSDNN 3225P12	C5-PSDNN- 00060-12		
	C6-PSDNN- 00065-12		
	C4-PSDNN- 00050-15	438.3-840	438.3-831
	C5-PSDNN- 00060-15		
	C6-PSDNN- 00065-15		

1) For insert RMCT 10T3M0

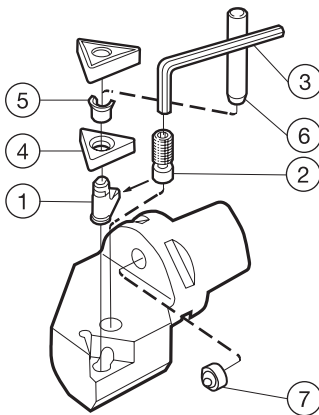
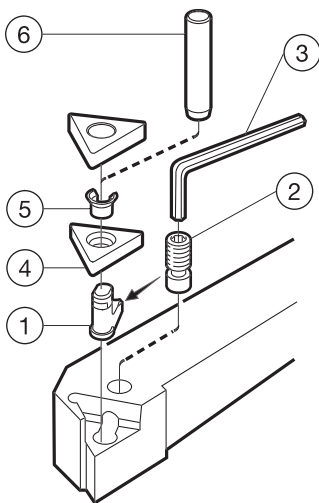
2) Optional part delivered to separate order

T-Max P lever design

Key (mm)	Shim (For insert thickness)	Radius	Shim pin (For insert thickness)	Shim pin punch
170.3-864 (1.98)	176.39-850 (3.18) 5322 150-01 (3.97) ¹⁾	– –	174.3-860 174.3-860 (3.97)	174.3-870
170.3-860 (2.5)	176.39-851 (4.76)	–	174.3-863	174.3-870
170.3-860 (2.5)	176.39-852 (6.35)	–	174.3-867	174.3-871
174.1-864 (3.0)	176.39-853 (6.35)	–	174.3-864	174.3-873
3021 010-040 (4.0)	176.39-854 (7.94)	–	174.3-862	174.3-872
3021 010-050 (5.0)	176.39-855 (9.52)	–	174.3-865	174.3-874
170.3-864 (1.98)	176.39-850 (3.18) 5322 150-01 (3.97) ¹⁾	– –	174.3-860 174.3-860 (3.97)	174.3-870
170.3-860 (2.5)	176.39-851 (4.76)	–	174.3-863	174.3-870
170.3-860 (2.5)	176.39-852 (6.35)	–	174.3-867	174.3-871
174.1-864 (3.0)	176.39-853 (6.35)	–	174.3-864	174.3-873
3021 010-040 (4.0)	176.39-854 (7.94)	–	174.3-862	174.3-872
3021 010-050 (5.0)	176.39-855 (9.52)	–	174.3-865	174.3-874
174.1-870 (1.98)	–	–	–	–
170.3-860 (2.5)	174.3-850 (3.18)	0.4 – 1.2	174.3-863	174.3-870
174.1-864 (3.0)	174.3-851M (4.76) 174.3-856 (4.76) ²⁾	0.4 – 1.2 1.6 – 2.4	174.3-861	174.3-871
174.1-864 (3.0)	174.3-857 (6.35)	0.4 – 2.4	174.3-864	174.3-873
3021 010-040 (4.0)	174.3-852M (6.35)	0.8 – 2.4	174.3-862	174.3-872
3021 010-050 (5.0)	174.3-853M (7.94)	1.6 – 3.2	174.3-865	174.3-874
170.3-860 (2.5)	174.3-850 (3.18)	0.4 – 1.2	174.3-863	174.3-870
174.1-864 (3.0)	174.3-851M (4.76) 174.3-856 (4.76) ²⁾	0.4 – 1.2 1.6 – 2.4	174.3-861	174.3-871
174.1-864 (3.0)	174.3-857 (6.35)	0.4 – 2.4	174.3-864	174.3-873
3021 010-040 (4.0)	174.3-852M (6.35)	0.8 – 2.4	174.3-862	174.3-872
3021 010-050 (5.0)	174.3-853M (7.94)	1.6 – 3.2	174.3-865	174.3-874
174.1-870 (1.98)	–	–	–	–
170.3-860 (2.5)	174.3-850 (3.18)	0.4 – 1.2	174.3-863	174.3-870
174.1-864 (3.0)	174.3-851M (4.76) 174.3-856 (4.76) ²⁾	0.4 – 1.2 1.6 – 2.4	174.3-861	174.3-871
174.1-864 (3.0)	174.3-857 (6.35)	0.4 – 2.4	174.3-864	174.3-873



Ordering example: 10 pieces 176.39-840

T-Max P lever design



Nozzle for Coromant Capto® cutting units

Cutting unit size	Nozzle
C3–C4	5691 029-01
C5–C6	5691 029-02
C8	5691 029-03

Shank holders	Coromant Capto®	1	2
		Lever	Screw
 PSDNN 3225P19 PSDNN 3232P19 PSDNN 4040S25	C5-PSDNN- 00060-19	174.3-842M	174.3-822M
	C6-PSDNN- 00065-19	174.3-844M	174.3-827
	C8-PSDNN- 00080-25		
PSKNR/L 1616H09 PSKNR/L 2020K09 PSKNR/L 2020K12 PSKNR/L 2525M12 PSKNR/L 3225P12	C3-PSKNR/L- 22040-09	174.3-840M	174.3-820M
	C4-PSKNR/L- 27050-09		
	C5-PSKNR/L- 35060-12 C6-PSKNR/L- 45065-12	174.3-841M	174.3-821
PSKNR/L 2525M15	C4-PSKNR/L- 27050-15	438.3-840	438.3-831
	C5-PSKNR/L- 35060-15 C6-PSKNR/L- 45065-15		
	C5-PSKNR/L- 35060-19 C6-PSKNR/L- 45065-19 C8-PSKNR/L- 55080-19	174.3-842M	174.3-822M
PSKNR/L 5050T25	C8-PSKNR/L- 55080-25	174.3-844M	174.3-827
 PTDNR/L 2525M22 PTDNR/L 2525M22 PTFNR/L 1212F11		174.3-841M	174.3-821
		174.3-846-1	174.3-829
	C3-PTFNR/L 22040-16 C4-PTFNR/L 27050-16 C5-PTFNR/L 35060-16 C6-PTFNR/L 45065-16	174.3-840M	174.3-820M
PTFNR/L 2525M22 PTFNR/L 3225P22 PTFNR/L 3232P22 PTFNR/L 4040S27 PTFNR/L 4040S33	C4-PTFNR/L 27050-22	174.3-841M	174.3-821
	C5-PTFNR/L 35060-22 C6-PTFNR/L 45065-22	174.3-843M	174.3-825
	C6-PTFNR/L 45065-27	174.3-842M	174.3-822M
PTGNR/L 1010E11 PTGNR/L 1212F11 PTGNR/L 1616H11 PTGNR/L 2020K11 PTGNR/L 2525M11	C3-PTGNR/L 22040-11 C4-PTGNR/L 27050-11	174.3-846-1	174.3-829
	C3-PTGNR/L 22040-16 C4-PTGNR/L 27050-16 C5-PTGNR/L 35060-16 C6-PTGNR/L 45065-16	174.3-840M	174.3-820M
PTGNR/L 1616H16 PTGNR/L 2020K16 PTGNR/L 2525M16 PTGNR/L 3225P16 PTGNR/L 2525M22 PTGNR/L 3225P22 PTGNR/L 3232P22 PTGNR/L 4040S27	C4-PTGNR/L 27050-22 C5-PTGNR/L 35060-22 C6-PTGNR/L 45065-22	174.3-841M	174.3-821
	C6-PTGNR/L 45065-27	174.3-843M	174.3-825
	C3-PTJNR/L 22040-11 C4-PTJNR/L 27050-11	174.3-846-1	174.3-829
PTTNR/L 1010E11 PTTNR/L 1212F11 PTTNR/L 1616H16 PTTNR/L 2020K16 PTTNR/L 2525M22 PTTNR/L 3225P22 R/L 177.3-1010F-11	C3-PTJNR/L 22040-16 C4-PTJNR/L 27050-16 C5-PTJNR/L 35060-16 C6-PTJNR/L 45065-16	174.3-840M	174.3-820M
	C4-PTJNR/L 27050-22 C4-PTJNR/L 27050-22 C5-PTJNR/L 35060-22 C6-PTJNR/L 45065-22	174.3-841M	174.3-821
		174.3-846-1	174.3-829
PTTNR/L 1010E11 PTTNR/L 1212F11 PTTNR/L 1616H16 PTTNR/L 2020K16 PTTNR/L 2525M22 PTTNR/L 3225P22	C4-PTTNR/L 22050-16 C5-PTTNR/L 27060-16	174.3-840M	174.3-820M
	C5-PTTNR/L 27060-22 C6-PTTNR/L 35065-22	174.3-841M	174.3-821
		174.3-846-1	174.3-829

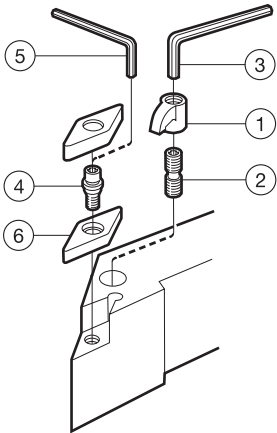
1) Optional part delivered to separate order


T-Max P lever design

3	4		5	6
Key (mm)	Shim (For insert thickness)	Radius	Shim pin	Shim pin punch
3021 010-040 (4.0)	174.3-852M (6.35)	0.8 – 2.4	174.3-862	174.3-872
3021 010-050 (5.0)	174.3-853M (7.94)	1.6 – 3.2	174.3-865	174.3-874
170.3-860 (2.5)	174.3-850 (3.18)	0.4 – 1.2	174.3-863	174.3-870
174.1-864 (3.0)	174.3-851M (4.76) 174.3-856 (4.76) ¹⁾	0.4 – 1.2 1.6 – 2.4	174.3-861	174.3-871
174.1-864 (3.0)	174.3-857 (6.35)	0.4 – 2.4	174.3-864	174.3-873
3021 010-040 (4.0)	174.3-852M (6.35)	0.8 – 2.4	174.3-862	174.3-872
3021 010-050 (5.0)	174.3-853M (7.94)	1.6 – 3.2	174.3-865	174.3-874
174.1-864 (3.0)	179.3-852M (4.76) 179.3-853M (4.76) ¹⁾	1.2 – 1.6 0.4 – 0.8	174.3-861	174.3-871
170.3-864 (1.98)	–	–	–	–
170.3-860 (2.5)	179.3-850M (4.76) 179.3-858 (4.76) ¹⁾	0.4 – 0.8 1.2 – 1.6	174.3-860	174.3-870
174.1-864 (3.0)	179.3-852M (4.76) 179.3-853M (4.76) ¹⁾	1.2 – 1.6 0.4 – 0.8	174.3-861	174.3-871
174.1-864 (3.0)	179.3-854M (6.35) 179.3-857 (6.35) ¹⁾	0.8 – 1.2 1.6 – 2.4	174.3-864	174.3-873
3021 010-040 (4.0)	179.3-855M (7.94)	1.6 – 2.4	174.3-866	174.3-872
170.3-864 (1.98)	–	–	–	–
170.3-860 (2.5)	179.3-850M (4.76) 179.3-858 (4.76) ¹⁾	0.4 – 0.8 1.2 – 1.6	174.3-860	174.3-870
174.1-864 (3.0)	179.3-852M (4.76) 179.3-853M (4.76) ¹⁾	1.2 – 1.6 0.4 – 0.8	174.3-861	174.3-871
174.1-864 (3.0)	179.3-854M (6.35) 179.3-857 (6.35) ¹⁾	0.8 – 1.2 1.6 – 2.4	174.3-864	174.3-873
170.3-864 (1.98)	–	–	–	–
170.3-860 (2.5)	179.3-850M (4.76) 179.3-858M (4.76) ¹⁾	0.4 – 0.8 1.2 – 1.6	174.3-860	174.3-870
174.1-864 (3.0)	179.3-852M (4.76) 179.3-853M (4.76) ¹⁾	1.2 – 1.6 0.4 – 0.8	174.3-861	174.3-871
170.3-864 (1.98)	–	–	–	–
170.3-860 (2.5)	179.3-850M (4.76) 179.3-858M (4.76) ¹⁾	0.4 – 0.8 1.2 – 1.6	174.3-860	174.3-870
174.1-864 (3.0)	179.3-852M (4.76) 179.3-853M (4.76) ¹⁾	1.2 – 1.6 0.4 – 0.8	174.3-861	174.3-871
170.3-864 (1.98)	–	–	–	–

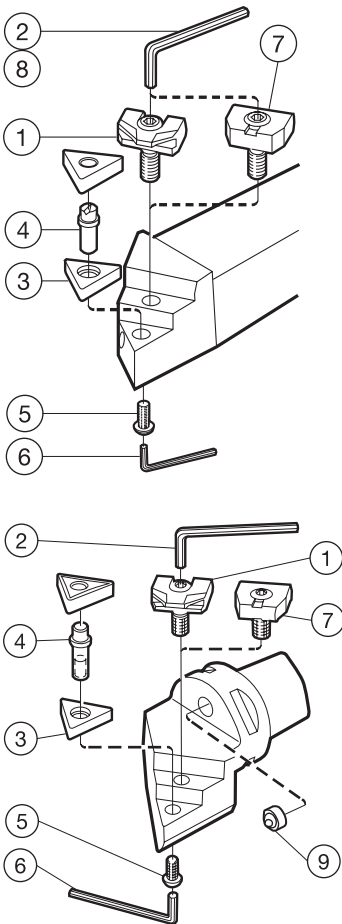
Ordering example: 10 pieces 174.3-841M




T-Max P screw and top clamp design



Shank holders	Coromant Capto®	1 Clamp	2 Clamp screw
			
MVJNR/L 2020K16 MVJNR/L 2525M16 MVJNR/L 3225P16	C4-MVJNR/L-27050-16 C5-MVJNR/L-35060-16	MC-12	MS-510

T-Max P wedge clamp design



Shank holders	Coromant Capto®	1 Wedge clamp set	2 Key (mm)
			
MSSNR/L 2525M12 MSSNR/L 3232P19 MSSNR/L 4040S25 MSSNR/L 4040S25	-	181.38-824-1 181.38-825-1 181.38-826-1	174.1-864 (3.0) 3021 010-040 (4.0) 3021 010-050 (5.0)
	C8-MSSNR/L 55070-25 C8-MSSNR/L 55070-25 C8-MSSNR/L 55070-25 C8-MSSNR/L 55070-25	181.38-826-1	3021 010-050 (5.0)
			
MTJNR/L 2020K16M1 MTJNR/L 2525M16M1 MTJNR/L 3225P16M1		170.38-820-1	174.1-863 (2.5)
	C3-MTJNR/L 22040-16 C4-MTJNR/L 27050-16 C5-MTJNR/L 35060-16	170.38-820-1	174.1-863 (2.5)
MTJNR/L 2525M22M1 MTJNR/L 2525M22M1 MTJNR/L 3225P22M1		170.38-821-1	174.1-864 (3.0)
	C4-MTJNR/L 27050-22 C4-MTJNR/L 27050-22 C5-MTJNR/L 35060-22 C6-MTJNR/L 45065-22	170.38-821-1	174.1-864 (3.0)
	C6-MTJNR/L 45065-27 C6-MTJNR/L 45065-27	170.38-822-1	174.1-864 (3.0)
MTGNR/L 2525M22M1 MTGNR/L 2525M22M1 MTGNR/L 3225P22M1 MTGNR/L 3232P22M1 MTENN 2525M22M1 MTENN 2525M22M1 MTENN 3225P22M1 MTENN 3232P22M1 R/L 170.38-4025-16M1 L 170.38-4025-22M1 L 170.38-4025-22M1 R 170.38-5032-22M1		170.38-821-1	174.1-864 (3.0)
		170.38-820-1	174.1-863 (2.5)
		170.38-821-1	174.1-864 (3.0)
			
MWLNLR/L 2020K06 MWLNLR/L 2525M06	C3-MWLNLR/L-22040-06 C4-MWLNLR/L-27050-06	5431 125-011	170.3-860 (2.5)
MWLNLR/L 2020K08 MWLNLR/L 2020K08 MWLNLR/L 2525M08 MWLNLR/L 3225P08	C4-MWLNLR/L-27050-08 C4-MWLNLR/L-27050-08 C5-MWLNLR/L-35060-08	5431 125-021	174.1-864 (3.0)

Nozzle for Coromant Capto® cutting units

Cutting unit size	9 Nozzle
C3-C4	5691 029-01
C5-C6	5691 029-02
C8	5691 029-03

1) Optional part delivered to separate order

T-Max P screw and top clamp design

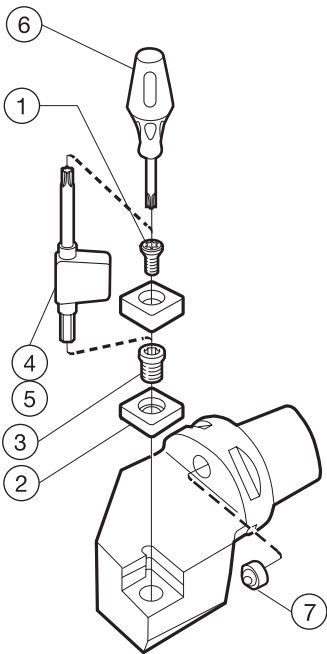
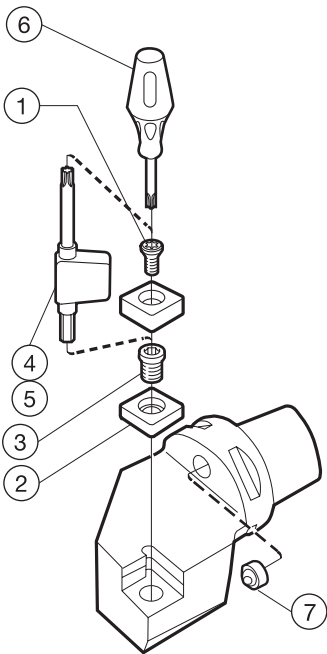
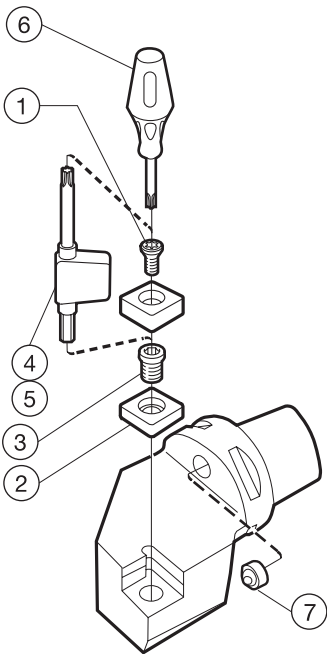
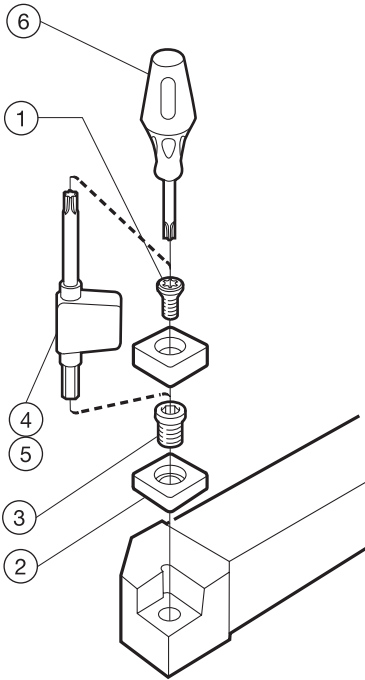
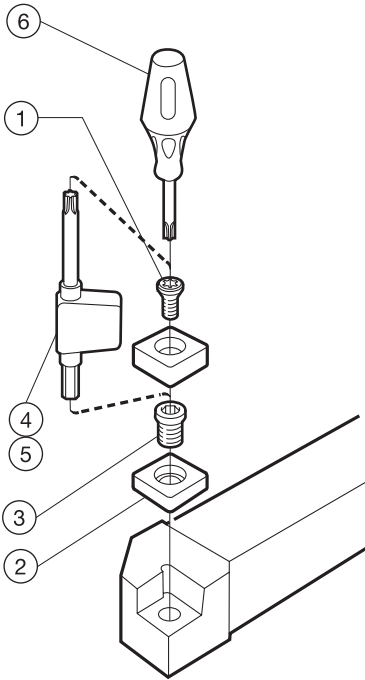
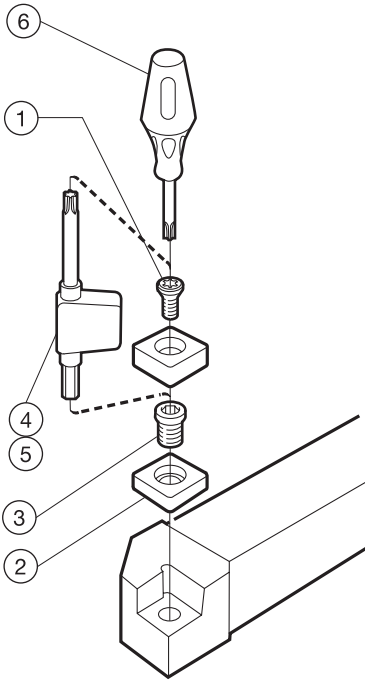
3	4	5	6	
Key (mm)	Lock pin	Key (mm)	Shim (For insert thickness)	Radius
3021 011-532 (3.96)	MN-34L	174.1-870 (1.98)	MVN-322 (4.76)	0.4-1.2

Ordering example: 10 pieces MC-12

3	4	5	6	7 ¹⁾	8 ¹⁾	
Shim (For insert thickness)	Radius	Pin	Screw	Key (mm)	Wedge set	Key (mm)
181.38-850 (4.76)	0.4 – 0.8	181.38-840	3212 010-255	174.1-864 (3.0)	181.38-820-1	–
181.38-851 (6.35)	0.8 – 2.4	181.38-841	3212 010-306	174.1-864 (3.0)	181.38-821-1	–
181.38-852 (7.94)	1.6 – 2.4	181.38-842	3212 100-357	3021 010-040 (4.0)	181.38-822-1	–
181.38-853 (9.52) ¹⁾	2.4 – 3.2					
181.38-852 (7.94)	1.6 – 2.4	181.38-842	3212 100-357	3021 010-040 (4.0)	–	–
181.38-853 (9.52) ¹⁾	2.4 ¹⁾					
5322 420-04 (7.94) ¹⁾	3.2 ¹⁾					
5322 420-03 (9.52) ¹⁾	3.2 ¹⁾					
170.3-852 (4.76)	0.4 - 1.6	5313 021-02	3212 010-206	174.1-863 (2.5)	170.38-823-1	174.1-864 (3.0)
170.3-852 (4.76)	0.4 -1.6	5313 021-02	3212 010-206	174.1-863 (2.5)	170.38-823-1	174.1-864 (3.0)
170.3-855 (4.76)	1.2 - 1.6	181.38-840	3212 010-255	174.1-864 (3.0)	170.38-824-1	3021 010-040 (4.0)
170.3-856 (4.76) ¹⁾	0.4 – 0.8					
170.3-855 (4.76)	1.2 - 1.6	181.38-840	3212 010-255	174.1-864 (3.0)	170.38-824-1	3021 010-040 (4.0)
170.3-856 (4.76) ¹⁾	0.4 – 0.8					
170.3-854 (6.35)	0.8 – 1.6	5313 021-04	3212 100-307	3021 010-040 (4.0)	170.38-825-1	3021 010-040 (4.0)
170.3-857 ¹⁾	2.4 ¹⁾					
170.3-855 (4.76)	1.2 - 1.6	181.38-840	3212 010-255	174.1-864 (3.0)	170.38-824-1	3021 010-040 (4.0)
170.3-856 (4.76) ¹⁾	0.4 – 0.8					
170.3-855 (4.76)	1.2 - 1.6	181.38-840	3212 010-255	174.1-864 (3.0)	170.38-824-1	3021 010-040 (4.0)
170.3-856 (4.76) ¹⁾	0.4 – 0.8					
170.3-852 (4.76)	0.4 - 1.6	5313 021-02	3212 010-206	174.1-863 (2.5)	170.38-823-1	174.1-864 (3.0)
170.3-855 (4.76)	1.2 - 1.6	181.38-840	3212 010-255	174.1-864 (3.0)	170.38-824-1	3021 010-040 (4.0)
170.3-856 (4.76) ¹⁾	0.4 – 0.8					
5322 331-06	–	5313 022-01	5512 030-03	170.3-864 (1.98)	–	–
5322 331-07 (4.76)	0.4 – 0.8	5313 022-03	3212 010-255	174.1-864 (3.0)	–	–
5322 331-08 (4.76) ¹⁾	1.2 – 1.6					

Ordering example: 10 pieces 181.38-824-1

CoroTurn® 107 screw clamp design



Nozzle for Coromant Capto® cutting units

Cutting unit size	7 Nozzle
C3–C4	5691 029-01
C5–C6	5691 029-02
C8	5691 029-03

Shank holders	Coromant Capto®	Insert screw (thread)
SCACR/L 0808K06-S SCACR/L 1010K06-S SCACR/L 1212K06-S SCACR/L 1616K06-S SCACR/L 1212K09-S SCACR/L 1616K09-S		5512 020-03 (M2.5)
SCLCR/L 0808K06-S SCLCR/L 1010K06-S SCLCR/L 1212K06-S SCLCR/L 1616K06-S SCLCR/L 1212K09-S SCLCR/L 1616K09-S		5512 020-09 (M3.5)
SCLCR/L 0808D06 SCLCR/L 1010E06 SCLCR/L 1212F09-M		5512 020-03 (M2.5)
SCLCR/L 1616H09 SCLCR/L 2020K09	C3-SCLCR/L-22040-09 C4-SCLCR/L-27050-09 C5-SCLCR/L-35060-09 C6-SCLCR/L-45065-09	5512 020-09 (M3.5)
SCLCR/L 2020K12 SCLCR/L 2525M12	C3-SCLCR/L-22040-12 C4-SCLCR/L-27050-12 C5-SCLCR/L-35060-12 C6-SCLCR/L-45065-12	5513 020-03 (M2.5)
	C6-SRDCN-00100-16	5513 020-10 (M3.5) 5513 020-01 (M3.5)
SDACR/L 0808K07-S SDACR/L 1010K07-S SDACR/L 1212K07-S SDACR/L 1616K07-S SDACR/L 1212K11-S SDACR/L 1616K11-S		5513 020-03 (M2.5)
SDJCR/L 0808K07-S SDJCR/L 1010K07-S SDJCR/L 1212K07-S SDJCR/L 1616K07-S SDJCR/L 1212K11-S SDJCR/L 1616K11-S		5513 020-09 (M3.5)
SDJCR/L 1010E07 SDJCR/L 1212F07 SDJCR/L 1616H07 SDJCR/L 2020K07	C3-SDJCR/L-22040-07 C4-SDJCR/L-27050-07	5513 020-03 (M2.5)
SDJCR/L 1616H11 SDJCR/L 1616H11 SDJCR/L 2020K11 SDJCR/L 2525M11	C3-SDJCR/L-22040-11 C3-SDJCR/L-22040-11 C4-SDJCR/L-27050-11 C5-SDJCR/L-35060-11 C6-SDJCR/L-45065-11	5513 020-01 (M3.5)
SDNCN 1010K07-S SDNCN 1212K11-S SDNCN 1616K11-S		5513 020-03 (M2.5) 5513 020-09 (M3.5)
SDNCN 1010E07 SDNCN 1212F07 SDNCN 1616H11 SDNCN 1616H11 SDNCN 2020K11 SDNCN 2525M11	C3-SDNCN-00040-11 C3-SDNCN-00040-11 C4-SDNCN-00050-11 C5-SDNCN-00060-11	5513 020-03 (M2.5) 5513 020-01 (M3.5)

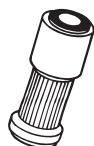
1) Optional part delivered to separate order

CoroTurn® 107 screw clamp design

2	3	4	5	6 ¹⁾	
Shim (For insert thickness)	Radius	Shim screw	Key (Torx Plus)	Key (mm)	Screwdriver (Torx Plus)
-	-	-	5680 051-02 (7IP)	-	5680 046-03 (7IP)
-	-	-	5680 049-01 (15IP)	-	5680 046-02 (15IP)
-	-	-	5680 051-02 (7IP)	-	5680 046-03 (7IP)
-	-	-	5680 049-01 (15IP)	-	5680 046-02 (15IP)
-	-	-	5680 051-02 (7IP)	-	5680 046-03 (7IP)
-	-	-	5680 049-01(15IP)	-	5680 046-02 (15IP)
5322 232-01 (3.97)	0.2–0.8	5512 090-01	5680 049-01 (15IP)	5680 049-01 (3.5)	5680 046-02 (15IP)
5322 232-02 (4.76)	0.4–1.2	5512 090-03	5680 049-02 (15IP)	5680 049-02 (4.0)	5680 046-03 (15IP)
5322 232-02 (4.76)					
-	-	-	5680 051-02 (7IP)	-	5680 046-03 (7IP)
-	-	-	5680 049-01(15IP)	-	5680 046-02 (15IP)
-	-	-	5680 051-02 (7IP)	-	5680 046-03 (7IP)
-	-	-	5680 049-01(15IP)	-	5680 046-02 (15IP)
-	-	-	5680 051-02 (7IP)	-	5680 046-03 (7IP)
5322 263-01 (3.97)	0.4–0.8	5512 090-01	5680 049-01 (15IP)	5680 049-01(3.5)	5680 046-02 (15IP)
5322 263-02 (3.97) ¹⁾	1.2				
-	-	-	5680 051-02 (7IP)	-	5680 046-03 (7IP)
-	-	-	5680 049-01(15IP)	-	5680 046-02 (15IP)
-	-	-	5680 051-02 (7IP)	-	5680 046-03 (7IP)
5322 263-01 (3.97)	0.4–0.8	5512 090-01	5680 049-01 (15IP)	5680 049-01(3.5)	5680 046-02 (15IP)
5322 263-02 (3.97) ¹⁾	1.2				

Ordering example: 10 pieces 5513 020-03

Magnetic sleeve for all sizes of keys and screwdrivers



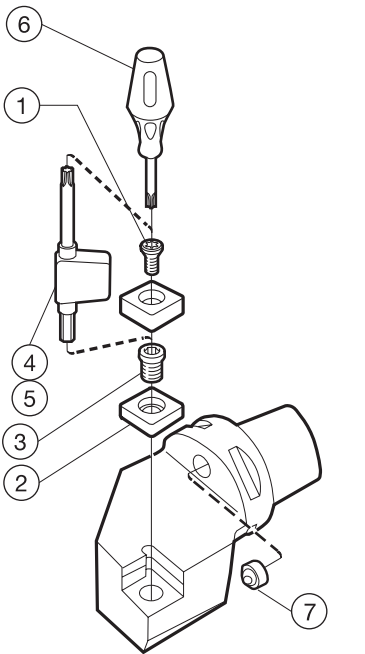
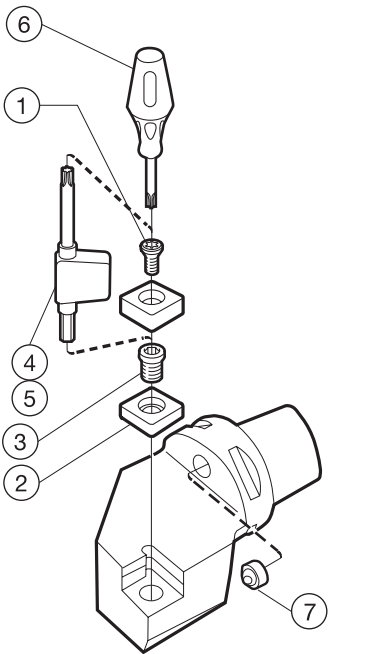
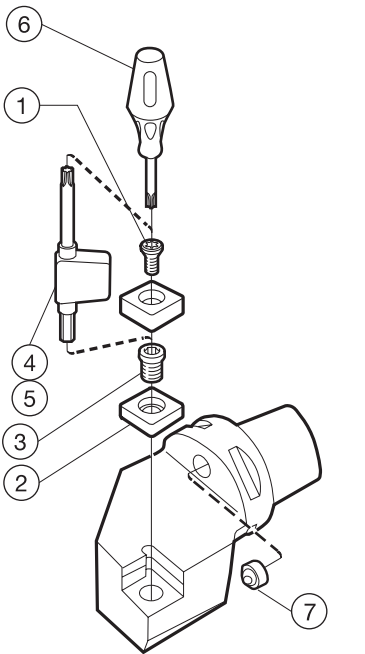
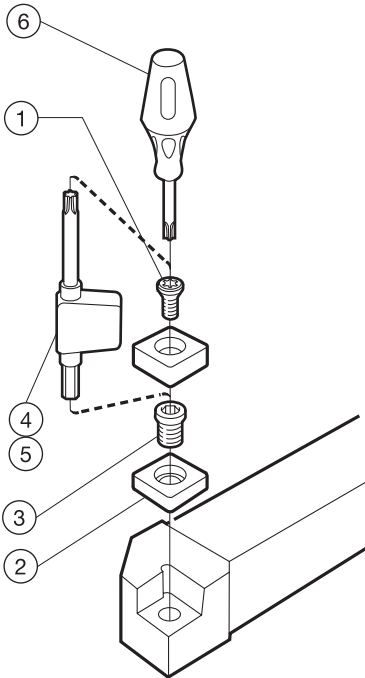
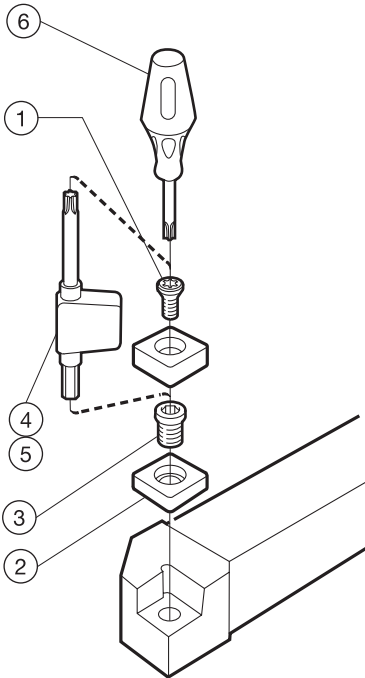
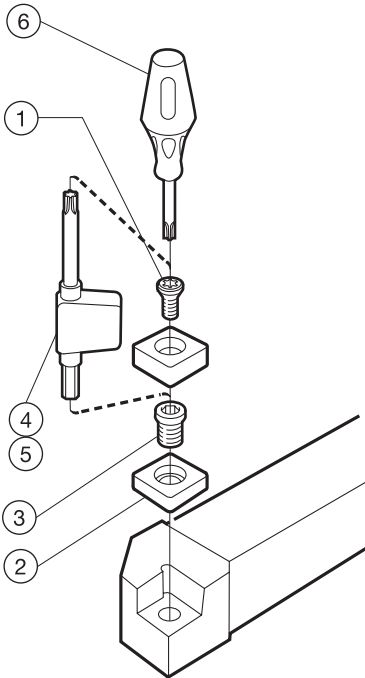
Ordering code:
5680 047-01

Instructions for use of the magnetic sleeve

- Place the magnetic sleeve over the key.
- Locate the key in the Torx-grip of the screw.
- Press the magnet down towards the insert.
- Unscrew, and both the screw and the insert (in most cases), will come out with the key.
- To be used for Torx keys of all sizes.



CoroTurn® 107 screw clamp design



Nozzle for Coromant Capto® cutting units

Cutting unit size	7 Nozzle
C3–C4	5691 029-01
C5–C6	5691 029-02
C8	5691 029-03

Shank holders	Coromant Capto®	Insert screw (thread)
SRDCN 1010E05	C3-SRDCN-00040-05A C4-SRDCN-00050-05A C5-SRDCN-00060-05A	5513 020-05 (M2.2)
SRDCN 1212F06	C3-SRDCN-00040-06A C5-SRDCN-00060-06A	5513 020-03 (M2.5)
SRDCN 1616 H08	C3-SRDCN-00040-08A C4-SRDCN-00050-08A C5-SRDCN-00060-08A	5513 020-04 (M3.0)
SRDCN 2020K10-A SRDCN 2525M10-A	C3-SRDCN-00040-10A C4-SRDCN-00050-10A C5-SRDCN-00060-10A C6-SRDCN-00065-10A	5513 020-10 (M3.5)
SRDCN 2525M12-A SRDCN 3225P12-A	C4-SRDCN-00050-12A C5-SRDCN-00060-12A C6-SRDCN-00065-12A	5513 020-01 (M3.5)
SRDCN 3225P16-A	C5-SRDCN-00060-16A C6-SRDCN-00065-16A	5513 020-26 (M5.0)
SRDCN 3232P20-A	C5-SRDCN-00060-20A C6-SRDCN-00065-20A	5513 020-14 (M6.0)
	C6-SRDCN-00100-10	5513 020-10
	C6-SRDCN-00100-16	5513 020-26
SRDCR/L 3225P05-A SRDCR/L 2020K06-A SRDCR/L 3225P06-A SRDCR/L 2020K08-A SRDCR/L 2525M08-A SRDCR/L 3225P08-A SRDCR/L 3225P08-A		5513 020-05 (M2.2) 5513 020-03 (M2.5) 5513 020-04 (M3.0)
SRSCR/L 3225P05 SRSCR/L 3225P06	C3-SRSCR/L-22040-06 C4-SRSCR/L-27050-06 C5-SRSCR/L-35060-06	5513 020-05 (M2.2) 5513 020-03 (M2.5)
SRSCR/L 3225P08	C3-SRSCR/L-22040-08 C4-SRSCR/L-27050-08 C5-SRSCR/L-35060-08	5513 020-04 (M3.0)
SRSCR/L 2020K10 SRSCR/L 2525M10	C3-SRSCR/L-22040-10 C4-SRSCR/L-27050-10 C5-SRSCR/L-35060-10 C6-SRSCR/L-45065-10	5513 020-10 (M3.5)
SRSCR/L 2525M12 SRSCR/L 3225P12	C4-SRSCR/L-27050-12 C5-SRSCR/L-35060-12 C6-SRSCR/L-45065-12	5513 020-01 (M3.5)
SRSCR/L 3225P16	C5-SRSCR/L-35060-16 C6-SRSCR/L-45065-16	5513 020-26 (M5.0)
SRSCR/L 3232P20	C5-SRSCR/L-35060-20 C6-SRSCR/L-45065-20	5513 020-14 (M6.0)
SSBCR/L 1616H09 SSBCR/L 2020K12 SSBCR/L 2525M12	C3-SSRCR/L-17040-09 C4-SSRCR/L-22050-12 C5-SSRCR/L-27060-12	5513 020-01 (M3.5) 5513 020-18 (M4x0.5)
SSDCR/L 1616H09 SSDCR/L 2020K09 SSDCR/L 2020K12 SSDCR/L 2525M12		5513 020-01 (M3.5) 5513 020-18 (M4x0.5)
SSDCN 1212F09-M SSDCN 1616H09 SSKCR/L 1616H09		5513 020-10 (M3.5) 5513 020-01 (M3.5) 5513 020-01 (M3.5)

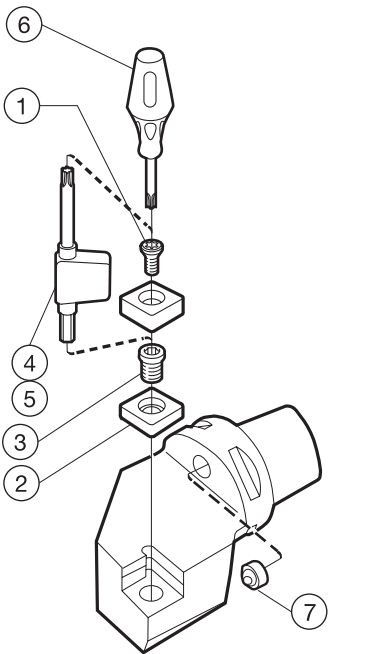
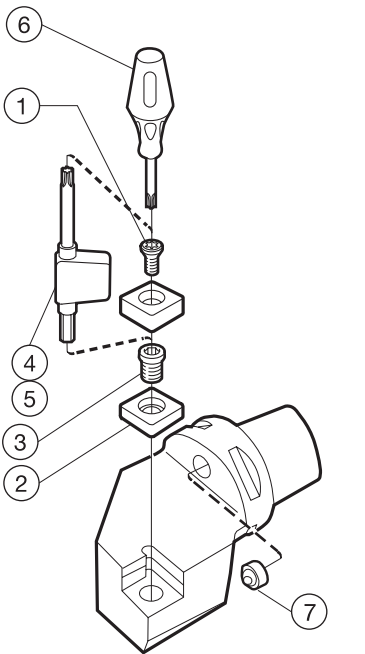
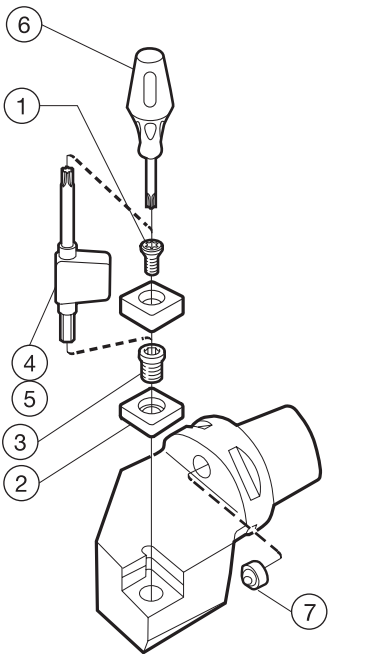
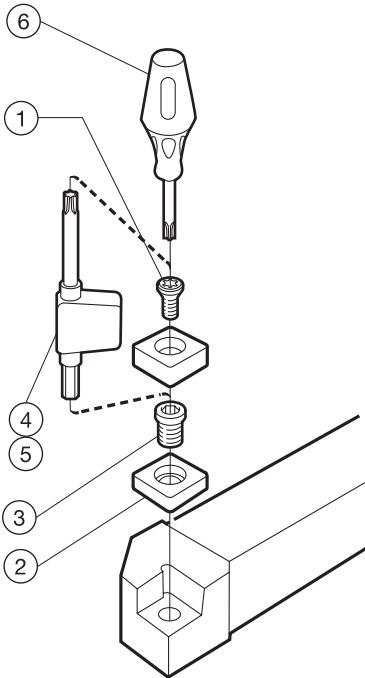
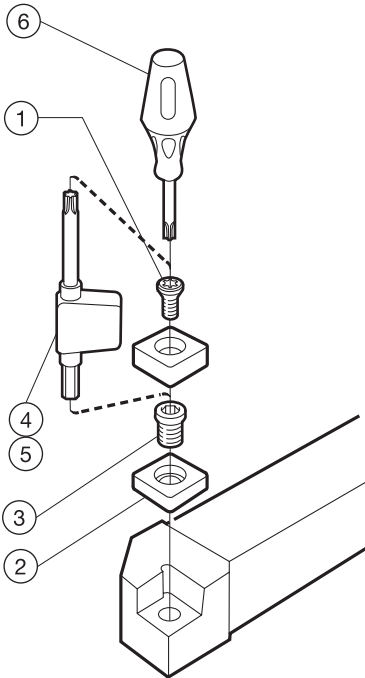
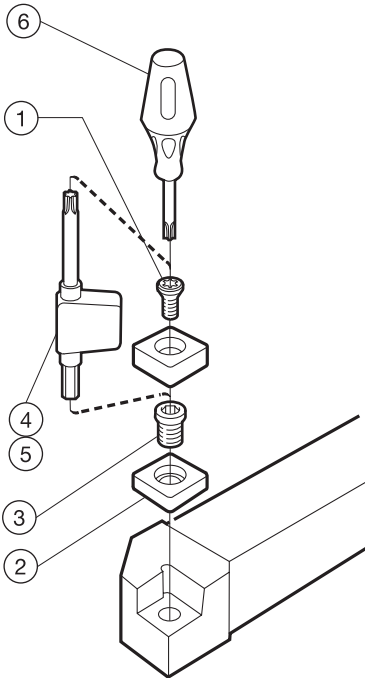
1) Optional part delivered to separate order

CoroTurn® 107 screw clamp design

2		3	4	5	6 ¹⁾
Shim (For insert thickness)	Radius	Shim screw	Key (Torx Plus)	Key (mm)	Screw for cartridge
-	-	-	5680 051-02 (7IP)	-	5680 046-03 (7IP)
-	-	-	5680 051-02 (7IP)	-	5680 046-03 (7IP)
-	-	-	5680 051-03 (9IP)	-	5680 046-04 (9IP)
5322 110-01 (3.97)	-	5512 090-01	5680 049-01 (15IP)	5680 049-01 (3.5)	5680 046-02 (15IP)
5322 110-02 (4.76)	-	5512 090-01	5680 049-01 (15IP)	5680 049-01 (3.5)	5680 046-02 (15IP)
5322 110-03 (6.35)	-	5512 090-06	5680 043-14 (20IP)	3021 010-050 (5.0)	5680 046-06 (20IP)
5322 110-04 (6.35)	-	5512 090-08	5680 043-15 (25IP)	3021 010-060 (6.0)	5680 046-07 (25IP)
5322 110-02					
5322 110-03					
-		-	5680 051-02 (7IP)	-	5680 046-03 (7IP)
-		-	5680 051-02 (7IP)	-	5680 046-03 (7IP)
-		-	5680 051-03 (9IP)	-	5680 046-04 (9IP)
-	-	-	5680 051-02 (7IP)	-	5680 046-03 (7IP)
-	-	-	5680 051-02 (7IP)	-	5680 046-03 (7IP)
-	-	-	5680 051-03 (9IP)	-	5680 046-04 (9IP)
5322 110-01 (3.97)	-	5512 090-01	5680 049-01 (15IP)	5680 049-01 (3.5)	5680 046-03 (15IP)
5322 110-02 (4.76)	-	5512 090-01	5680 049-01 (15IP)	5680 049-01 (3.5)	5680 046-02 (15IP)
5322 110-03 (6.35)	-	5512 090-06	5680 043-14 (20IP)	3021 010-050 (5.0)	5680 046-06 (20IP)
5322 110-04 (6.35)	-	5512 090-08	5680 043-15 (25IP)	3021 010-060 (6.0)	5680 046-07 (25IP)
5322 420-01 (3.97)	0.4–0.8	5512 090-01	5680 049-01 (15IP)	5680 049-01 (3.5)	5680 046-02 (15IP)
5322 420-02 (4.76)	0.4–1.2	5512 090-03	5680 049-02 (15IP)	5680 049-02 (4.0)	5680 046-02 (15IP)
5322 420-01 (3.97)	0.4–0.8	5512 090-01	5680 049-01 (15IP)	5680 049-01 (3.5)	5680 046-02 (15IP)
5322 420-02 (4.76)	0.4–1.2	5512 090-03	5680 049-02 (15IP)	5680 049-02 (4.0)	5680 046-02 (15IP)
-	-	-	5680 049-01 (15IP)	-	5680 046-02 (15IP)
5322 420-01 (3.97)	0.4–0.8	5512 090-01	5680 049-01 (15IP)	5680 049-01 (3.5)	5680 046-02 (15IP)
5322 420-01 (3.97)	0.4–0.8	5512 090-01	5680 049-01 (15IP)	5680 049-01 (3.5)	5680 046-02 (15IP)

Ordering example: 10 pieces 5513 020-05

CoroTurn® 107 screw clamp design



Nozzle for Coromant Capto® cutting units

Cutting unit size	7 Nozzle
C3–C4	5691 029-01
C5–C6	5691 029-02
C8	5691 029-03

Shank holders	Coromant Capto®	Insert screw (thread)
STDCR/L 1010E09		5513 020-05 (M2.2)
STDCR/L 1212F11		5513 020-03 (M2.5)
STDCR/L 1212F11-B1		
STDCR/L 1616H11		
STDCR/L 1616H11-B1		
STDCR/L 1616H16		5513 020-01 (M3.5)
STDCR/L 2020K16		
STDCR/L 2525M16		
STFCR/L 1010E09		5513 020-05 (M2.2)
STFCR/L 1212F11		5513 020-03 (M2.5)
STFCR/L 1212F11-B1		
STFCR/L 1616H11		
STFCR/L 1616H11-B1		
STFCR/L 2020K11-A		
STFCR/L 2020K11-AB1		
STFCR/L 1616H16		5513 020-01 (M3.5)
STFCR/L 2020K16		
STFCR/L 2525M16		
STFCR/L 2525M16-A		
STGCR/L 0808D09		5513 020-05 (M2.2)
STGCR/L 0808D10		
STGCR/L 1010E09		
STGCR/L 1212F11	C3-STGCR/L- 22040-11	5513 020-03 (M2.5)
STGCR/L 1212F11-B1	C3-STGCR/L- 22040-11-B1	
STGCR/L 1616H11	C4-STGCR/L- 27050-11	
STGCR/L 1616H11-B1	C4-STGCR/L- 27050-11-B1	
	C5-STGCR/L- 35060-11	
STGCR/L 1616H16	C3-STGCR/L- 22040-16	5513 020-01 (M3.5)
STGCR/L 2020K16	C4-STGCR/L- 27050-16	
STGCR/L 2525M16	C5-STGCR/L- 35060-16	
	C6-STGCR/L- 45065-16	
STJCR/L 1010K11-S		5513 020-03 (M2.5)
STJCR/L 1212K11-S		
STJCR/L 1616K11-S		
STTCR/L 1616H11	C3-STJCR/L- 22040-11	5513 020-03 (M2.5)
STTCR/L 1616H11-B1	C3-STJCR/L- 22040-11-B1	
	C4-STJCR/L- 27050-11	
	C4-STJCR/L- 27050-11-B1	
STTCR/L 1616H16	C3-STJCR/L- 22040-16	5513 020-01 (M3.5)
STTCR/L 2020K16	C4-STJCR/L- 27050-16	
STTCR/L 2525M16	C5-STJCR/L- 35060-16	

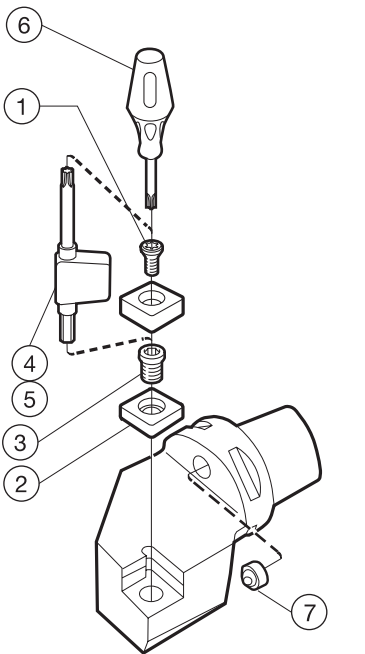
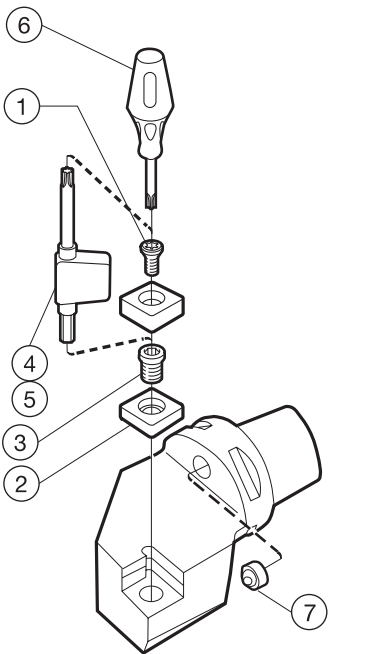
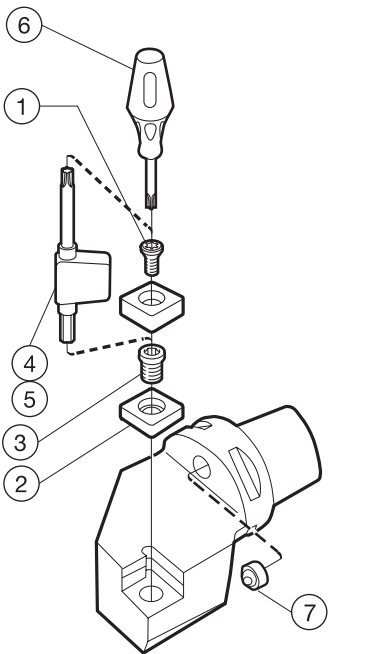
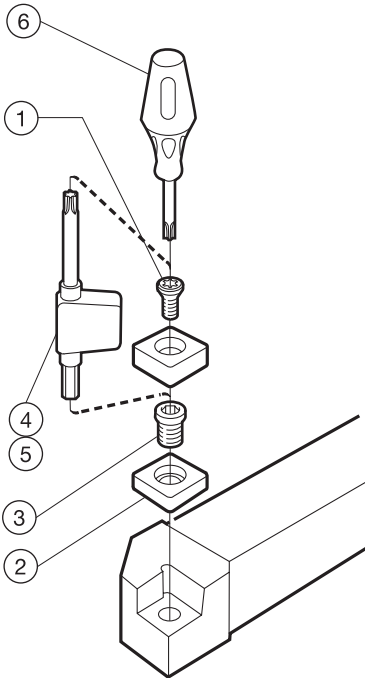
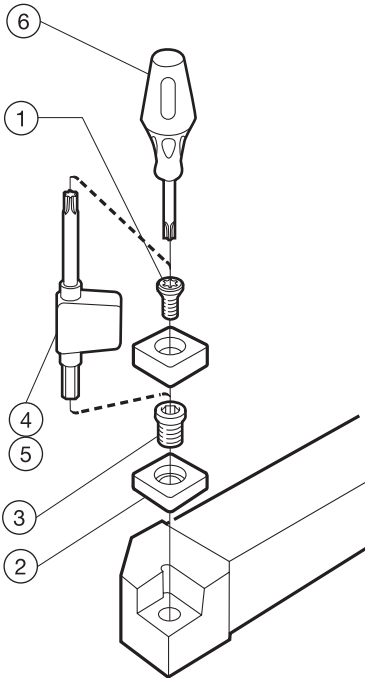
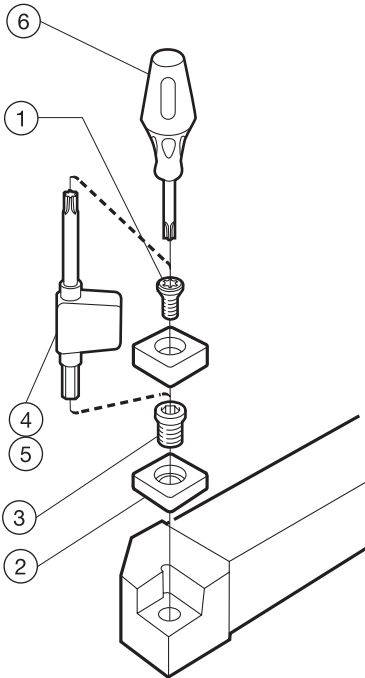
1) Optional part delivered to separate order

CoroTurn® 107 screw clamp design

2	3	4	5	6 ¹⁾	
Shim (For insert thickness)	Radius	Shim screw	Key (Torx Plus)	Key (mm)	Screwdriver (Torx Plus)
–	–	–	5680 051-02 (7IP)	–	5680 046-03 (7IP)
–	–	–	5680 051-02 (7IP)	–	5680 046-03 (7IP)
5322 320-01 (3.97)	0.4–1.2	5512 090-01	5680 049-01 (15IP)	5680 049-01 (3.5)	5680 046-02 (15IP)
–	–	–	5680 051-02 (7IP)	–	5680 046-03 (7IP)
–	–	–	5680 051-02 (7IP)	–	5680 046-03 (7IP)
5322 320-01 (3.97)	0.4–1.2	5512 090-01	5680 049-01 (15IP)	5680 049-01 (3.5)	5680 046-02 (15IP)
–	–	–	5680 051-02 (7IP)	–	5680 046-03 (7IP)
–	–	–	5680 051-02 (7IP)	–	5680 046-03 (7IP)
5322 320-01 (3.97)	0.4–1.2	5512 090-01	5680 049-01 (15IP)	5680 049-01 (3.5)	5680 046-02 (15IP)
–	–	–	5680 051-02 (7IP)	–	5680 046-03 (7IP)
–	–	–	5680 051-02 (7IP)	–	5680 046-03 (7IP)
5322 320-01 (3.97)	0.4–1.2	5512 090-01	5680 049-01 (15IP)	5680 049-01 (3.5)	5680 046-02 (15IP)


Ordering example: 10 pieces 5513 020-05

CoroTurn® 107 screw clamp design



Nozzle for Coromant Capto® cutting units

Cutting unit size	Nozzle
C3-C4	5691 029-01
C5-C6	5691 029-02
C8	5691 029-03

Shank holders	Coromant Capto®	Insert screw (Thread)
		
SVABR/L 0810K11-S SVABR/L 1010K11-S SVABR/L 1212K11-S SVABR/L 1616K11-S		5513 020-03 (M2.5)
SVABR/L 0810K11-S-B1 SVABR/L 1010K11-S-B1 SVABR/L 1212K11-S-B1 SVABR/L 1616K11-S-B1		5513 020-03 (M2.5)
SVABR/L 1212K16-S SVABR/L 1616K16-S		5513 020-09 (M3.5)
	C3-SVHBR/L-22040-11 C4-SVHBR/L-27050-11 C5-SVHBR/L-35060-11 C3-SVHBR/L-22040-11-B1 C4-SVHBR/L-27050-11-B1	5513 020-03 (M2.5)
SVHBR/L 2020K16 SVHBR/L 2525M16 SVHBR/L 3225P16	C4-SVHBR/L-27050-16 C5-SVHBR/L-35060-16 C6-SVHBR/L-45065-16	5513 020-01 (M3.5)
SVHCR/L 2525M22-R2		5513 020-18 (M4Y0.5) 5513 020-03 (M2.5)
SVJBR/L 0810K11-S SVJBR/L 1010K11-S SVJBR/L 1212K11-S SVJBR/L 1616K11-S		
SVJBR/L 0810K11-S-B1 SVJBR/L 1010K11-S-B1 SVJBR/L 1212K11-S-B1 SVJBR/L 1616K11-S-B1		5513 020-03 (M2.5)
SVJBR/L 1212K16-S SVJBR/L 1616K16-S		5513 020-09 (M3.5)
SVJBR/L 1212F11 SVJBR/L 1616H11 SVJBR/L 2020K11 SVJBR/L 2525M11 SVJBR/L 1212F11-B1 SVJBR/L 1616H11-B1 SVJBR/L 2020K11-B1 SVJBR/L 2525M11-B1	C3-SVJBR/L-22040-11 C4-SVJBR/L-27050-11 C5-SVJBR/L-35060-11 C3-SVJBR/L-22040-11-B1 C4-SVJBR/L-27050-11-B1	5513 020-03
SVJBR/L 2020K16 SVJBR/L 2525M16 SVJBR/L 3225P16	C4-SVJBR/L-27050-16 C5-SVJBR/L-35060-16 C6-SVJBR/L-45065-16	5513 020-01 (M3.5)
SVVBN 0808K11-S SVVBN 1010K11-S SVVBN 1212K11-S SVVBN 1616K11-S		5513 020-03 (M2.5)
SVVBN 1212F11 SVVBN 1616H11 SVVBN 2020K11 SVVBN 2525M11 SVVBN 1212F11-B1 SVVBN 1616H11-B1 SVVBN 2020K11-B1 SVVBN 2525M11-B1	C3-SVVBN-00040-11 C4-SVVBN-00050-11 C3-SVVBN-00040-11-B1 C4-SVVBN-00050-11-B1	5513 020-03 (M2.5)
SVVBN 2020K16 SVVBN 2525M16 SVVBN 3225P16	C4-SVVBN-00050-16 C5-SVVBN-00060-16 C6-SVVBN-00065-16	5513 020-01 (M3.5)

1) Optional part delivered to separate order

2) For insert VCGX 22 05 30-AL.

CoroTurn® 107 screw clamp design

2	3	4	5	6 ¹⁾	
Shim (For insert thickness)	Radius	Shim screw	Key (Torx Plus)	Key (mm)	Screwdriver (Torx Plus)
-	-	-	5680 051-02 (7IP)	-	5680 046-03 (7IP)
-	-	-	5680 051-02 (7IP)	-	5680 046-03 (7IP)
-	-	-	5680 049-01 (15IP)	-	5680 046-02 (15IP)
-	-	-	5680 051-02 (7IP)	-	5680 046-03 (7IP)
5322 270-01 (4.76) 5322 270-02 (4.76) ¹⁾	0.4–0.8 1.2	5512 090-01	5680 049-01 (15IP)	5680 049-01 (3.5)	5680 046-02 (15IP)
5322 270-03 (4.76) 5322 270-04 (4.76) ²⁾	2.0 3.0	5512 090-03	5680 049-02 (15IP)	-	5680 046-02 (15IP)
	3.0	-	5680 051-02 (7IP)	-	5680 046-03 (7IP)
-	-	-	5680 051-02 (7IP)	-	5680 046-03 (7IP)
-	-	-	5680 049-01 (15IP)	-	5680 046-02 (15IP)
-	-	-	5680 051-02 (7IP)	-	5680 046-03 (7IP)
					5680 046-03 (7IP)
5322 270-01 (4.76) 5322 270-02 (4.76) ¹⁾	0.4–0.8 1.2	5512 090-01	5680 049-01 (15IP)	5680 049-01 (3.5)	5680 046-02 (15IP)
-	-	-	5680 051-02 (7IP)	-	5680 046-03 (7IP)
-	-	-	5680 051-02 (7IP)	-	5680 046-03 (7IP)
5322 270-01 (4.76) 5322 270-02 (4.76) ¹⁾	0.4–0.8 1.2	5512 090-01	5680 049-01 (15IP)	5680 049-01 (3.5)	5680 046-02 (15IP)

Ordering example: 10 pieces 5513 020-03

This catalogue has been split into smaller parts
to enhance downloading speeds.

If you want to view the next page
please click [HERE!](#)