

Spare parts for Machine adapted clamping units



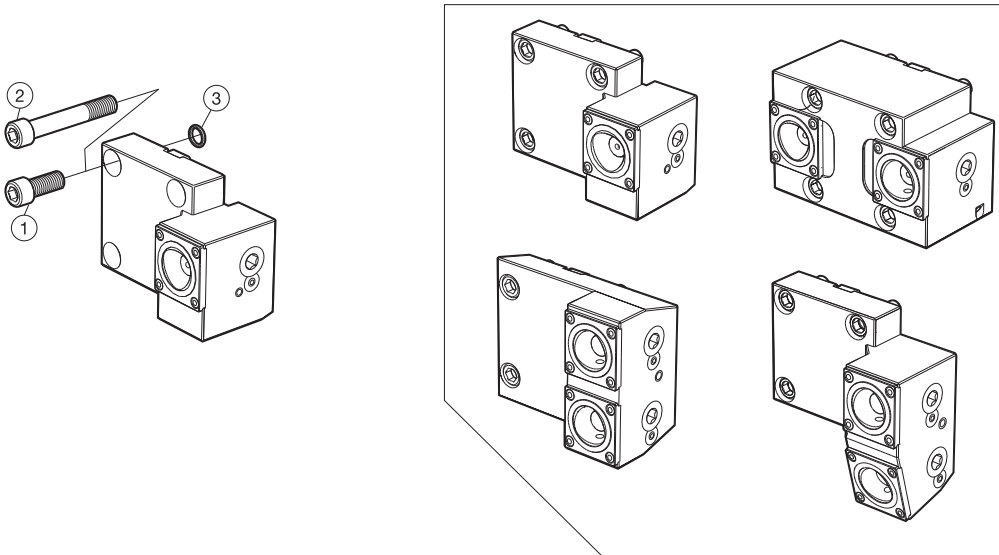
BMT 65A, 75A, 85A	
External clamping units	2
Internal clamping units	3
Driven tool holders	4
Holder for parting blade	5
Mazak 68A, 68B, 80A	
External clamping units	6
Internal clamping units	7
Driven tool holders	8
Holder for parting blade	9
Mazak MZ50V (-VDI)	
External/internal clamping units	10
Driven tool holders	10
Mori Seiki 40A, 60A, 75A, 110A	
External clamping units	11
Internal clamping units	12
Driven tool holders	13
Holder for parting blade	14
Nakamura Tome NA55A, NA65A	
External clamping units	15
Internal clamping units	16
Driven tool holders	17
Okuma OK60A, OK60B	
External clamping units	18
Internal clamping units	19
Driven tool holders	20
Holder for parting blade	21

BMT 65A, 75A, 85A



Machine adapted clamping units

CBI external



External

	1	2	3
Ordering code	Screw	Screw	O-ring
C4-TR/LE-BT65A	3212 010-512	-	5641 001-97
C4-TR/LE-BT65A-DT	3212 010-545	-	5641 001-97
C4-TR/LE-BT65A-TT	3212 010-512	-	-
C4-TR/LE-BT65A-YT	3212 010-513	-	-
C5-TR/LE-BT75A	3212 010-513 (x4)	3212 010-470 (x2)	-
C6-TR/LE-BT85A	3212 010-513 (x4)	5512 060-26 (x2)	-

Note!

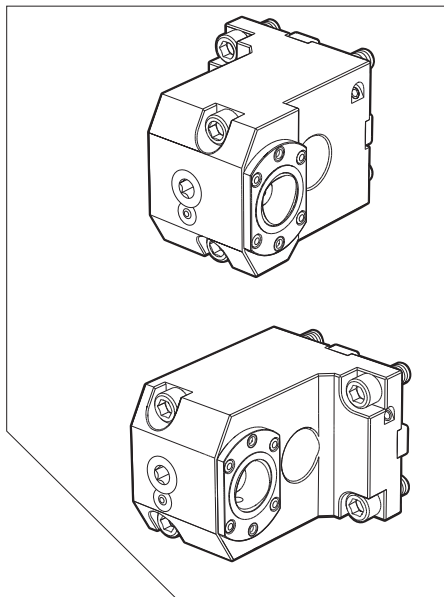
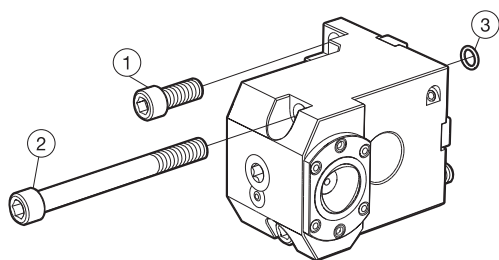
Clamping unit spare parts are the same as the type 2085, see spare part section in Turning tools 2012.

BMT 65A, 75A, 85A



Machine adapted clamping units

CBI internal



Internal

	1	2	3
Ordering code	Screw	Screw	O-ring
C4-TR/LI-BT65A	3212 010-512 (x2)	3212 010-525 (x2)	5641 001-97
C4-TR/LI-BT65A-SS	3212 010-512 (x2)	3212 010-525 (x2)	5641 001-97
C5-TR/LI-BT75A	3212 010-524 (x4)	-	-
C6-TR/LI-BT85A	3212 010-524 (x4)	-	-

Note!

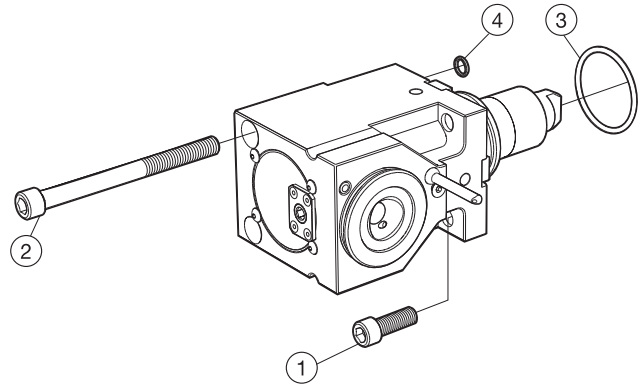
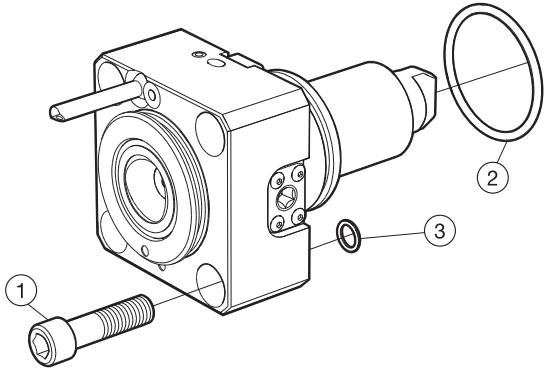
Clamping unit spare parts are the same as the type 2090, see spare part section in Turning tools 2012.

BMT 65A, 75A, 85A



Driven tool holders
CBI
Machine adapted
External

Internal



External

	1	2	3
Ordering code	Screw	O-ring	O-ring
C4-DNE-BT65A-E	3212 010-515	5641 005-113	5641 001-97
C4-DNE-BT65A-I	3212 010-515	5641 005-113	5641 001-97
C5-DNE-BT75A-E	3212 010-519 (x4)	5642 001-94	5642 001-34
C5-DNE-BT75A-I	3212 010-519 (x4)	5642 001-94	5642 001-34
C6-DNE-BT85A-E	5512 060-25 (x4)	5641 005-115	5641 001-34
C6-DNE-BT85A-I	5512 060-25 (x4)	5641 005-115	5641 001-34

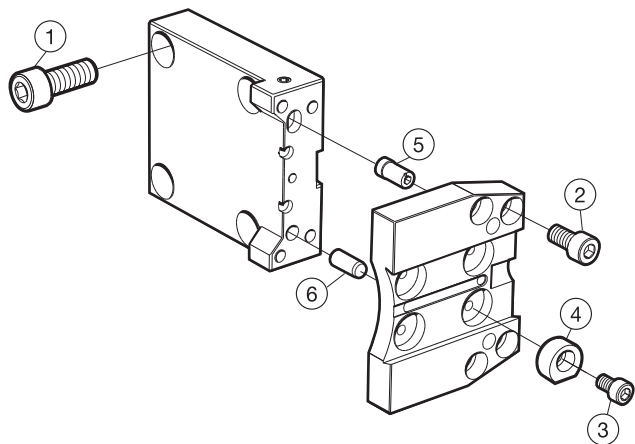
Internal

	1	2	3	4
Ordering code	Screw	Screw	O-ring	O-ring
C4-DNI-BT65A-E	3212 010-513	5512 060-25	5641 005-113	5641 001-97
C4-DNI-BT65A-I	3212 010-513	5512 060-25	5641 005-113	5641 001-97
C5-DNI-BT75A-E	3212 010-524 (x4)	-	5643 001-94	5643 001-34
C5-DNI-BT75A-I	3212 010-524 (x4)	-	5643 001-94	5643 001-34
C6-DNI-BT85A-E	3212 010-528 (x4)	-	5641 005-115	5641 001-34
C6-DNI-BT85A-I	3212 010-528 (x4)	-	5641 005-115	5641 001-34

BMT



Holder for parting blade APB-TNE-BT65A-25



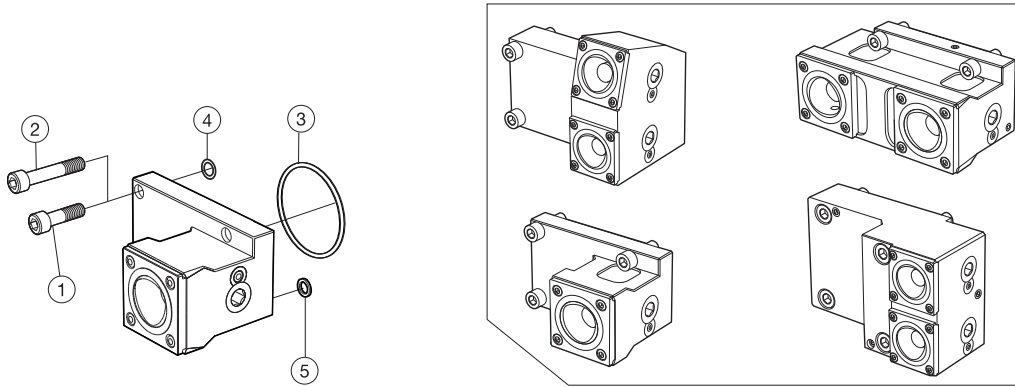
	1	2	3	4	5	6
Ordering code	Screw	Screw	Screw	Wedge	Eccentric	Parallell pin
APB-TNE-BT65A-25	3212 010-511	3212 010-409	3212 010-357	5431 123-01	5333 011-01	3111 020-611

Mazak 68A, 68B, 80A



Machine adapted clamping units

CBI external



	1	2	3	4	5
Ordering code	Screw	Screw	O-ring	O-ring	Kantseal
C4-TR/LE-MZ68A	3212 010-473	3212 010-466	5641 001-94	5641 001-93	5641 070-05
C5-TR/LE-MZ68A	3212 010-463	-	5641 001-94	5641 001-93	5641 070-05
C4-TR/LE-MZ68A-DT	3212 010-473	-	5641 001-94	5641 001-93	5641 070-05
C5-TR/LE-MZ68A-DT	3212 010-463	-	5641 001-94	5641 001-93	5641 070-05
C4-TR/LE-MZ68A-TT	3212 010-466	-	5641 001-94	5641 001-93	5641 070-05
C4-TR/LE-MZ68B	3212 010-413 (x2)	3212 010-417 (x2)	5641 005-117	5641 001-104	5641 070-07
C5-TR/LE-MZ80A	3212 010-463	3212 010-466	5641 001-93	5641 001-109	5641 070-05

Note!

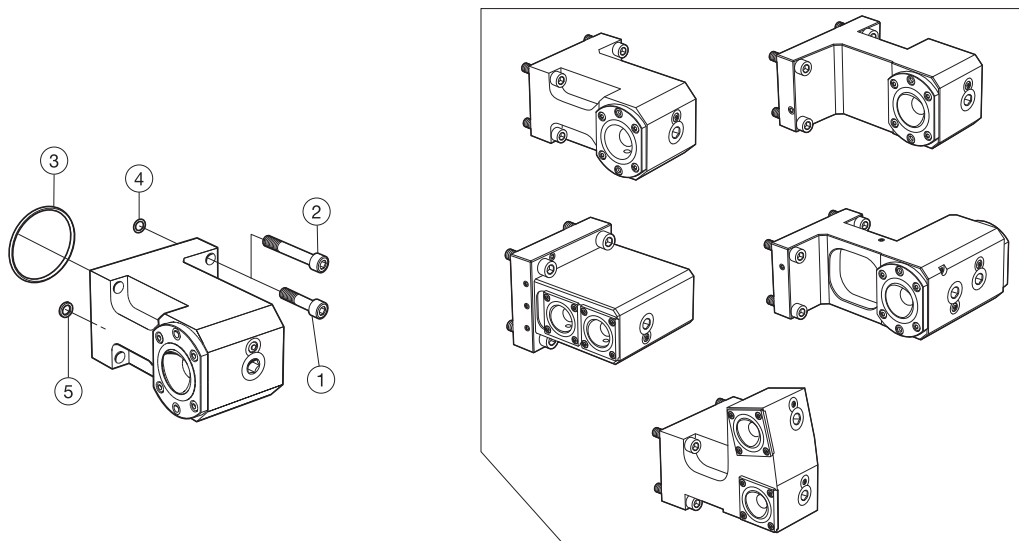
Clamping unit spare parts are the same as the type 2085, see spare part section in Turning tools 2012.

Mazak 68A, 68B, 80A



Machine adapted clamping units

CBI internal



	1	2	3	4	5
Ordering code	Screw	Screw	O-ring	O-ring	Kantseal
C4-TR/LI-MZ68A	3212 010-465	-	5641 001-94	5641 001-93	5641 070-05
C5-TR/LI-MZ68A	3212 010-466	-	5641 001-94	5641 001-93	5641 070-05
C4-TR/LI-MZ68A-SS	3212 010-465	-	5641 001-94	5641 001-93	5641 070-05
C5-TR/LI-MZ68A-SS	3212 010-465	-	5641 001-94	5641 001-93	5641 070-05
C4-TR/LI-MZ68A-DT	3212 010-464	-	5641 001-94	5641 001-93	5641 070-05
C5-TR/LI-MZ68A-DT	3212 010-466	-	5641 001-94	5641 001-93	5641 070-05
C4-TR/LI-MZ68A-TT	3212 010-466	-	5641 001-94	5641 001-93	5641 070-05
C4-TR/LI-MZ68B	3212 010-413 (x2)	5512 060-27 (x2)	5641 005-117	5641 001-104	5641 070-07
C5-TR/LE-MZ80A	3212 010-463	3212 010-476	5641 001-93	5641 001-109	5641 070-05

Note!

Clamping unit spare parts are the same as the type 2085 or type 2090, see spare part section in Turning tools 2012.

Mazak, 68A, 68B and 80A

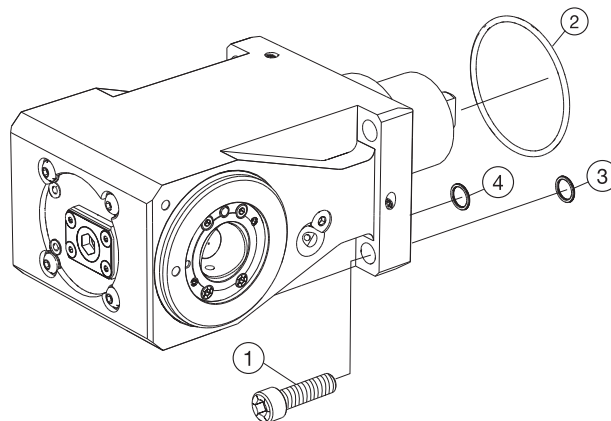
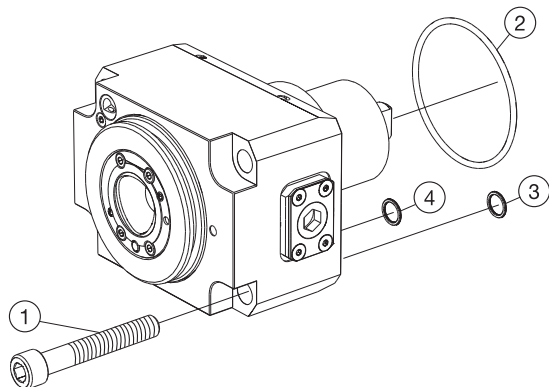


Driven tool holders

Machine adapted

External

Internal



External

	1	2	3	4
Ordering code	Screw	O-ring	O-ring	Kantseal
C4-DNE-MZ68A-E	3212 010-469	5641 001-94	5641 001-93	5641 070-05
C4-DNE-MZ68A-I	3212 010-469	5641 001-94	5641 001-93	5641 070-05
C5-DNE-MZ68A-E	3212 010-469	5641 001-94	5641 001-93	5641 070-05
C5-DNE-MZ68A-I	3212 010-469	5641 001-94	5641 001-93	5641 070-05
C4-DNE-MZ68B-E	3212 010-411	5641 005-117	5641 001-104	5641 070-07
C4-DNE-MZ68B-I	3212 010-411	5641 005-117	5641 001-104	5641 070-07
C5-DNE-MZ80A-E	3212 010-463	5641 001-93	5641 001-109	5641 070-05
C5-DNE-MZ80A-I	3212 010-463	5641 001-93	5641 001-109	5641 070-05

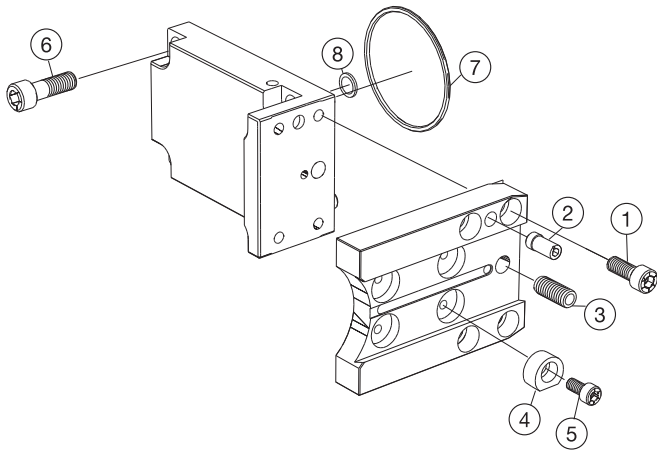
Internal

	1	2	3	4
Ordering code	Screw	O-ring	O-ring	Kantseal
C4-DNI-MZ68A-E	3212 010-463	5641 001-94	-	5641 070-05
C4-DNI-MZ68A-I	3212 010-463	5641 001-94	-	5641 070-05
C5-DNI-MZ68A-E	3212 010-463	5641 001-94	-	5641 070-05
C5-DNI-MZ68A-I	3212 010-463	5641 001-94	-	5641 070-05
C4-DNI-MZ68B-E	3212 010-411	5641 005-117	5641 001-104	5641 070-07
C4-DNI-MZ68B-I	3212 010-411	5641 005-117	5641 001-104	5641 070-07
C5-DNI-MZ80A-E	3212 010-462	5641 001-93	5641 001-109	5641 070-05
C5-DNI-MZ80A-I	3212 010-462	5641 001-93	5641 001-109	5641 070-05

Mazak



Holder for parting blade APB-TNE-MZ68A-25



	1	2	3	4	5
Ordering code	Screw	Eccentric	Parallell pin	Wedge	Screw
APB-TNE-MZ68A-25	3212 010-462	5333 011-01	3111 050-662	5431 123-01	3212 010-358
	6	7	8		
	Screw	O-ring	Kantseal		
	3212 010-410	5641 001-94	5641 070-05		

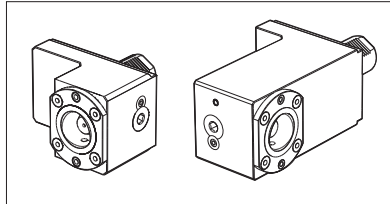
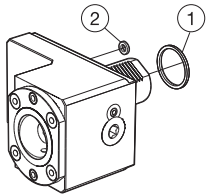
Mazak MZ50V (-VDI)



Machine adapted clamping units

External

Internal



External

	1	2
Ordering code	O-ring	Kantseal
C6-TR/LE-MZ50V	5641 005-112	5641 070-07

Internal

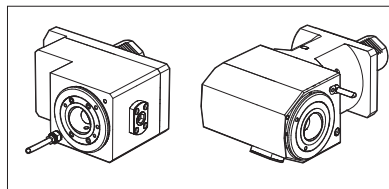
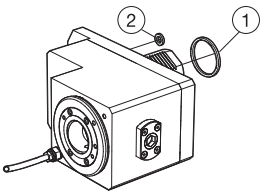
	1	2
Ordering code	O-ring	Kantseal
C6-TR/LI-MZ50V	5641 005-112	5641 070-07

Note! Clamping unit spare parts are the same as the type 2090, see spare part section in Turning tools 2012.

Driven tool holders

External

Internal



External

	1	2
Ordering code	O-ring	Kantseal
C5-DNE-MZ50V-E	5641 005-112	5641 070-07
C5-DNE-MZ50V-I	5641 005-112	5641 070-07

Internal

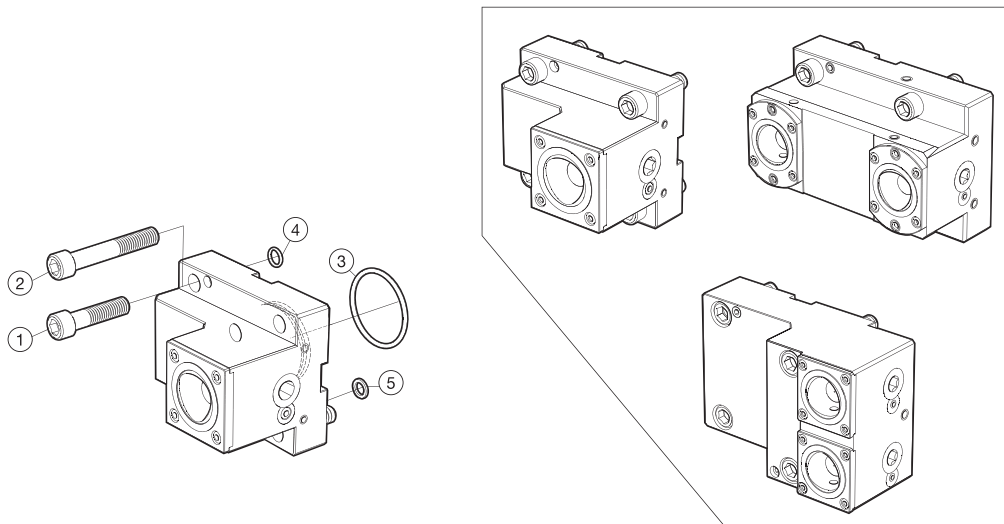
	1	2
Ordering code	O-ring	Kantseal
C5-DNI-MZ50V-E	5641 005-112	5641 070-07
C5-DNI-MZ50V-I	5641 005-112	5641 070-07

Mori Seiki 40A, 60A, 75A, 110A



Machine adapted clamping units

External



External

	1	2	3	4	5
Ordering code	Screw	Screw	O-ring	O-ring	Kantseal
C4-TR/LE-MS40A	3212 010-465	-	5641 005-110	5641 001-93	5641 070-04
C4-TR/LE-MS40A-DT	3212 010-465	-	5641 005-110	5641 001-93	5641 070-04
C4-TR/LE-MS40A-YT	3212 010-466	-	5641 005-110	5641 001-93	5641 070-04
C4-TR/LE-MS60A	3212 010-516	-	5641 005-109	5641 001-97	5641 070-05
C5-TR/LE-MS60A	3212 010-516	-	5641 005-109	5641 001-97	5641 070-05
C4-TR/LE-MS60A-DT	3212 010-516	-	5641 005-109	5641 001-97	5641 070-05
C5-TR/LE-MS60A-DT	3212 010-516	-	5641 005-109	5641 001-97	5641 070-05
C4-TR/LE-MS60A-YT	3212 010-515	3212 010-521	5641 005-109	5641 001-97	5641 070-05
C6-TR/LE-MS75A	3212 010-566	-	5641 005-114	-	5641 070-08
C6-TRE-MS110A	3212 010-567 (x6)	3212 010-522 (x2)	-	-	5641 070-08

Note!

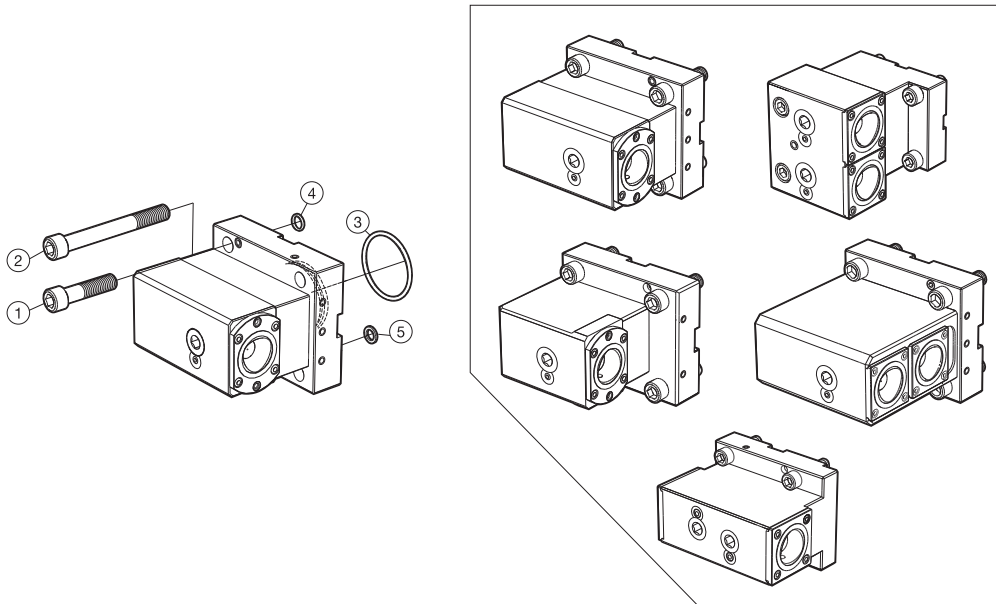
Clamping unit spare parts are the same as the type 2085 or type 2090, see spare part section in Turning tools 2012.

Mori Seiki 40A, 60A, 75A, 110A



Machine adapted clamping units

Mori Seiki 40, 60, 75, 110
Internal



Internal

	1	2	3	4	5
Ordering code	Screw	Screw	O-ring	O-ring	Kantseal
C4-TR/LI-MS40A	3212 010-475	-	5641 005-110	5641 001-93	5641 070-04
C4-TR/LI-MS40A-DT	3212 010-475	-	5641 005-110	5641 001-93	5641 070-04
C4-TR/LI-MS40A-SS	3212 010-475	3212 010-464	5641 005-110	5641 001-93	5641 070-04
C4-TR/LI-MS40A-YT	3212 010-475	3212 010-463	5641 005-110	5641 001-93	5641 070-04
C4-TR/LI-MS60A	3212 010-516	-	5641 005-109	5641 001-97	5641 070-05
C5-TR/LI-MS60A	3212 010-516	-	5641 005-109	5641 001-97	5641 070-05
C5-TR/LI-MS60A-DT	3212 010-516	-	5641 005-109	5641 001-97	5641 070-05
C4-TR/LI-MS60A-SS	3212 010-516	-	5641 005-109	5641 001-97	5641 070-05
C5-TR/LI-MS60A-SS	3212 010-516	-	5641 005-109	5641 001-97	5641 070-05
C4-TR/LI-MS60A-XT	3212 010-516	-	5641 005-109	5641 001-97	5641 070-05
C6-TR/LI-MS75A	3212 010-566	-	5641 005-114	-	5641 070-08
C6-TR/LI-MS110A	3212 010-567 (x6)	3212 010-512 (x2)	-	-	5641 070-08

Note!

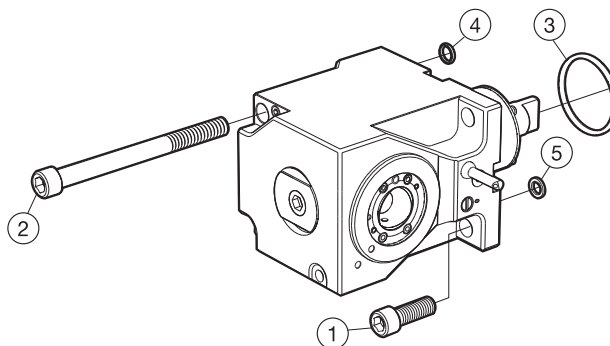
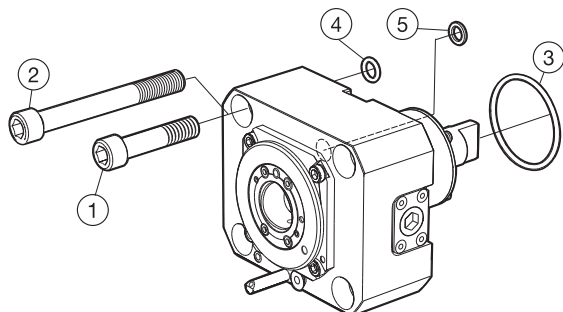
Clamping unit spare parts are the same as the type 2085 or type 2090, see spare part section in Turning tools 2012.

Mori Seiki 40A, 60A, 75A, 110A



Driven tool holders
CBI
 Machine adapted
 External

Internal



External

	1	2	3	4	5
Ordering code	Screw	Screw	O-ring	O-ring	Kantseal
C3-DNE-MS40A-I	3212 010-468	-	5641 005-110	5641 001-93	5641 070-04
C4-DNE-MS40A-E	3212 010-466	-	5641 005-110	5641 001-93	5641 070-04
C4-DNE-MS60A-E	3212 010-517	3213 010-357	5641 005-109	5641 001-97	5641 070-05
C4-DNE-MS60A-I	3212 010-517	3213 010-357	5641 005-109	5641 001-97	5641 070-05
C5-DNE-MS60A-E	3212 010-517	3213 010-357	5641 005-109	5641 001-97	5641 070-05
C5-DNE-MS75A-E	3212 010-570	-	5641 005-114	5641 001-105	5641 070-08
C5-DNE-MS75A-I	3212 010-570	-	5641 005-114	5641 001-105	5641 070-08
C6-DNE-MS110A-E	3212 010-566	-	5641 005-116	-	5641 070-08
C6-DNE-MS110A-I	3212 010-566	-	5641 005-116	-	5641 070-08

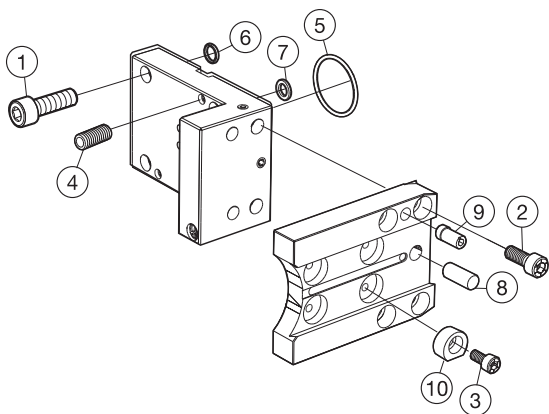
Internal

	1	2	3	4	5
Ordering code	Screw	Screw	O-ring	O-ring	Kantseal
C4-DNI-MS40A-E	3212 010-462	-	5641 005-110	5641 001-93	5641 070-04
C4-DNI-MS40A-I	3212 010-462	-	5641 005-110	5641 001-93	5641 070-04
C4-DNI-MS60A-E	3212 010-513	5512 060-25	5641 005-109	5641 001-97	5641 070-05
C4-DNI-MS60A-I	3212 010-513	5512 060-25	5641 005-109	5641 001-97	5641 070-05
C5-DNI-MS60A-E	3212 010-513	5512 060-25	5641 005-109	5641 001-97	5641 070-05
C5-DNI-MS60A-I	3212 010-513	5512 060-25	5641 005-109	5641 001-97	5641 070-05
C5-DNI-MS75A-E	3212 010-579	-	5641 005-114	5641 001-105	5641 070-08
C5-DNI-MS75A-I	3212 010-579	-	5641 005-114	5641 001-105	5641 070-08
C6-DNI-MS110A-E	3212 010-579	-	5641 005-116	-	5641 070-08
C6-DNI-MS110A-I	3212 010-579	-	5641 005-116	-	5641 070-08

Mori Seiki



Holder for parting blade APB-TNE-MS40A-25/MS60A-25



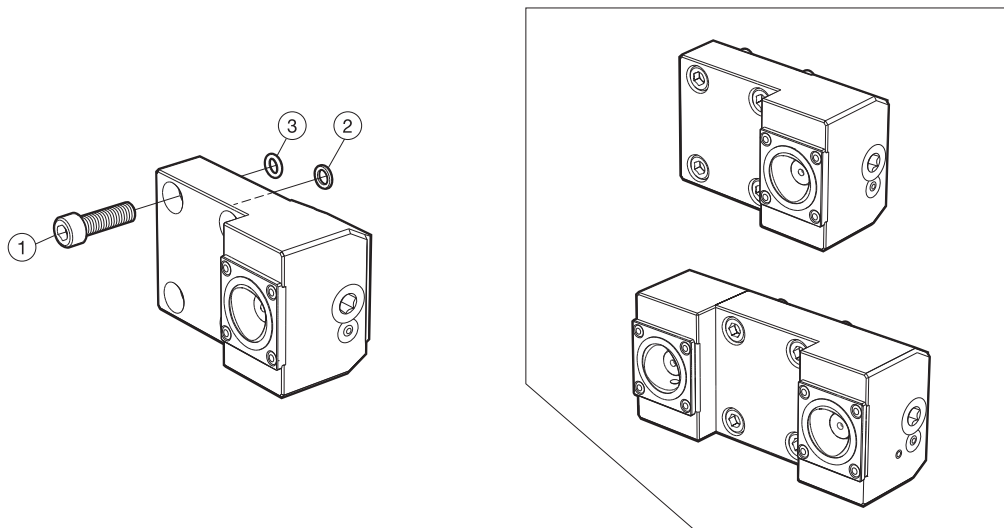
	1	2	3	4	5
Ordering code	Screw	Screw	Screw	Screw	O-ring
APB-TNE-MS40A-25	3212 010-463	3212 010-410	3212 010-357	3214 010-360	5641 005-110
APB-TNE-MS60A-25	3212 010-513	3212 010-410	3212 010-357	3214 010-360	5641 005-109
	6	7	8	9	10
	O-ring	Kantseal	Parallell pin	Eccentric	Wedge
APB-TNE-MS40A-25	5641 001-93	5641 070-04	3111 020-611	5333 011-01	5431 123-01
APB-TNE-MS60A-25	-	5641 070-05	3111 020-611	5333 011-01	5431 123-01

Nakamura Tome NA55A, NA65A



Machine adapted clamping units

CBI external



External

	1	2	3
Ordering code	Screw	Kantseal	O-ring
C4-TR/LE-NA55A	3212 010-463	5641 070-04	5641 005-79
C4-TR/LE-NA55A-DT	3212 010-463	5641 070-04	5641 005-79
C4-TR/LE-NA65A	3212 010-516	5641 007-04	5641 001-34
C4-TR/LE-NA65A-DT	3212 010-516	5641 007-04	5641 001-34

Note!

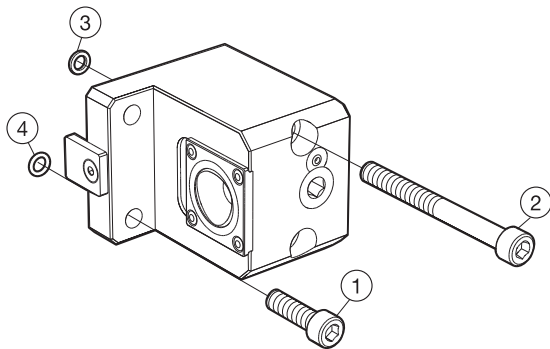
Clamping unit spare parts are the same as the type 2085, see spare part section in Turning tools 2012.

Nakamura Tome NA55A, NA65A



Machine adapted clamping units

CBI internal



Internal

	1	2	3	4
Ordering code	Screw	Screw	Kantseal	O-ring
C4-TR/LI-NA55A	3212 010-463	3212 010-473	5641 070-04	5641 005-79
C4-TR/LI-NA65A	3212 010-514	-	5641 007-04	5641 001-34
C4-TR/LI-NA65A-SS	3212 010-514	-	5641 070-04	5641 001-34

Note!

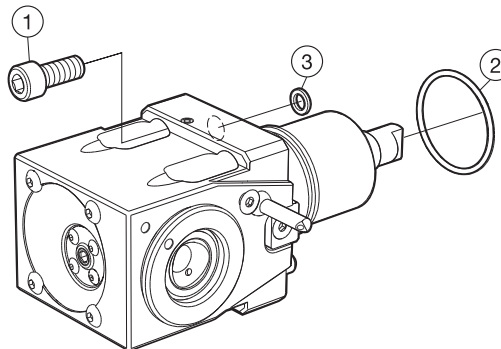
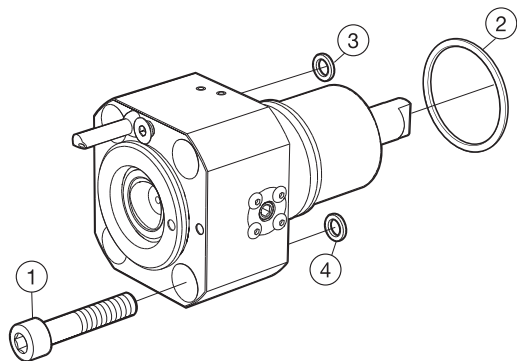
Clamping unit spare parts are the same as the type 2085, see spare part section in Turning tools 2012.

Nakamura Tome NA55A, NA65A



Driven tool holders
 CBI
 Machine adapted
 External

Internal



External

	1	2	3	4
Ordering code	Screw	O-ring	Kantseal	O-ring
C3-DNE-NA55A-E	3212 010-466	5641 001-106	5641 070-04	5641 005-79
C3-DNE-NA55A-I	3212 010-466	5641 001-106	5641 070-04	5641 005-79
C4-DNE-NA65A-E	3212 010-516	5641 005-113	5641 007-04	5641 001-34
C4-DNE-NA65A-I	3212 010-516	5641 005-113	5641 007-04	5641 001-34

Internal

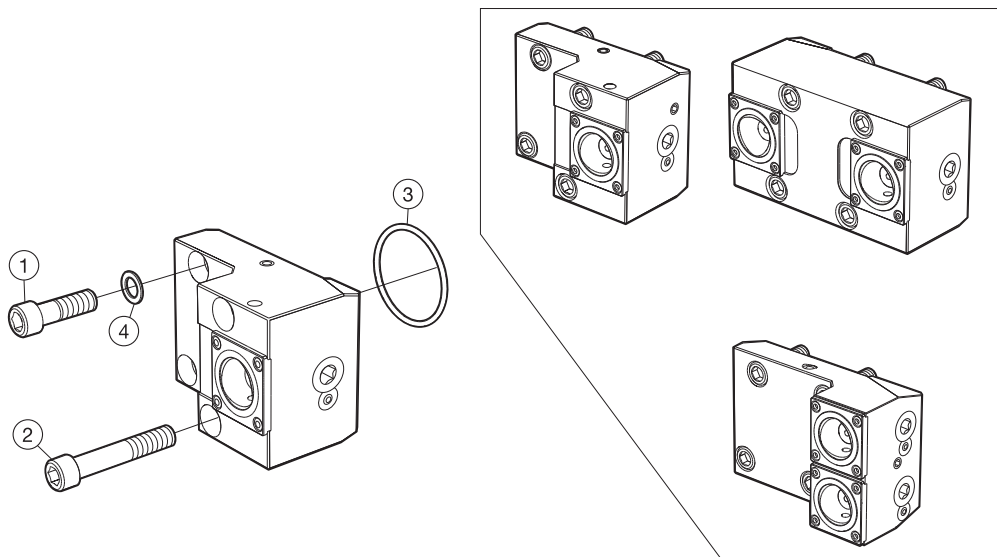
	1	2	3
Ordering code	Screw	O-ring	Kantseal
C3-DNI-NA55A-E	3212 010-461	5641 001-106	5641 070-04
C3-DNI-NA55A-I	3212 010-461	5641 001-106	5641 070-04
C4-DNI-NA65A-E	3212 010-511	5641 005-113	5641 007-05
C4-DNI-NA65A-I	3212 010-511	5641 005-113	5641 007-05

Okuma OK60A, OK60B



Machine adapted clamping units

CBI external



External

	1	2	3	4
Ordering code	Screw	Screw	O-ring	Shim ring
C4-TR/LE-OK60A	3212 010-514	3212 010-520	5641 001-107	3411 112-306
C4-TR/LE-OK60A-DT	3212 010-520	-	5641 001-107	3411 112-306
C4-TR/LE-OK60A-YT	3212 010-514	-	5641 001-107	3411 112-306
C5-TR/LE-OK60B	3212 010-514	-	5641 001-107	3411 112-306

Note!

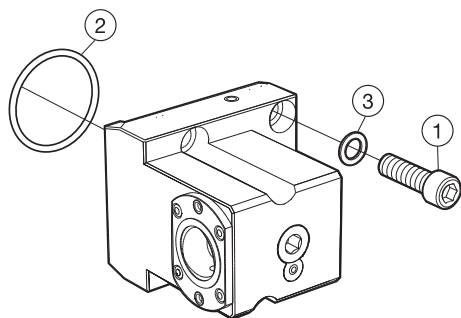
Clamping unit spare parts are the same as the type 2085, see spare part section in Turning tools 2012.

Okuma OK60A, OK60B



Machine adapted clamping units

CBI internal



Internal

	1	2	3
Ordering code	Screw	O-ring	Shim ring
C4-TR/LI-OK60A	3212 010-514	5641 001-107	3411 112-306
C4-TR/LI-OK60A-SS	3212 010-514	5641 001-107	3411 112-306
C5-TR/LI-OK60B	3212 010-514	5641 001-107	3411 112-306

Note!

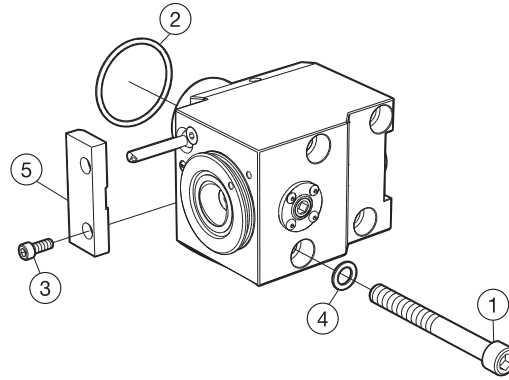
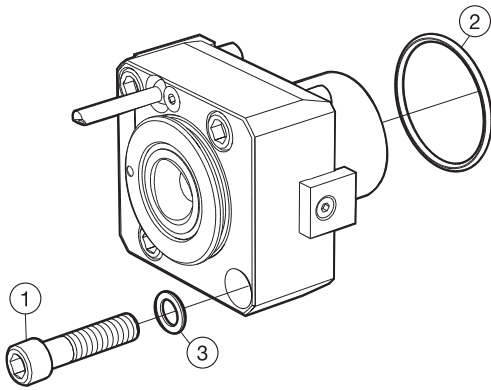
Clamping unit spare parts are the same as the type 2090, see spare part section in Turning tools 2012.

Okuma OK60A, OK60B



Driven tool holders
CBI
Machine adapted
External

Internal



External

	1	2	3
Ordering code	Screw	O-ring	Shim ring
C4-DNE-OK60A-E	3212 010-516	5641 001-107	3411 112-306
C4-DNE-OK60A-I	3212 010-516	5641 001-107	3411 112-306
C4-DNE-OK60B-E	3212 010-517	5641 001-107	3411 112-306
C4-DNE-OK60B-I	3212 010-517	5641 001-107	3411 112-306

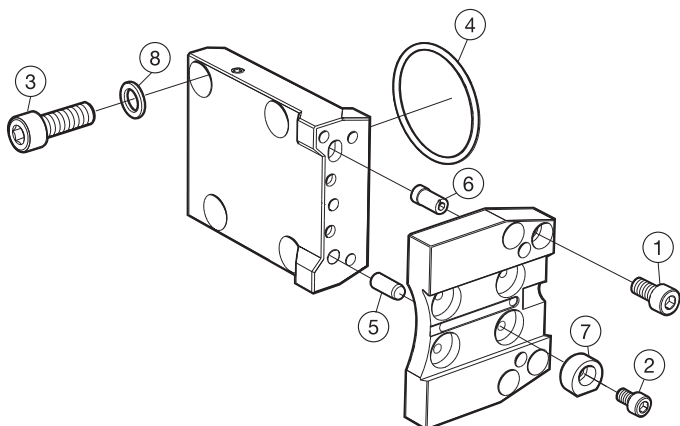
Internal

	1	2	3	4	5
Ordering code	Screw	O-ring	Screw	Shim ring	Adjustment plate
C4-DNI-OK60A-E	3212 010-524	5641 001-107		3411 112-306	5336 004-01
C4-DNI-OK60A-I	3212 010-524	5641 001-107		3411 112-306	5336 004-01
C4-DNI-OK60B-E	3212 010-526	5641 001-107	3212 010-524	3411 112-306	-
C4-DNI-OK60B-I	3212 010-526	5641 001-107	3212 010-524	3411 112-306	-

Okuma OK60A



Holder for parting blade
 APB-TNE-OK60A-25



	1	2	3	4
Ordering code	Screw	Screw	Screw	O-ring
APB-TNE-OK60A-25	3212 010-511	3212 010-409	3212 010-357	5641 001-107
	5	6	7	8
	Parallell pin	Eccentric	Wedge	Shim ring
	3111 020-611	5333 011-01	5431 123-01	3411 112-306