

**SANDVIK**  
Coromant

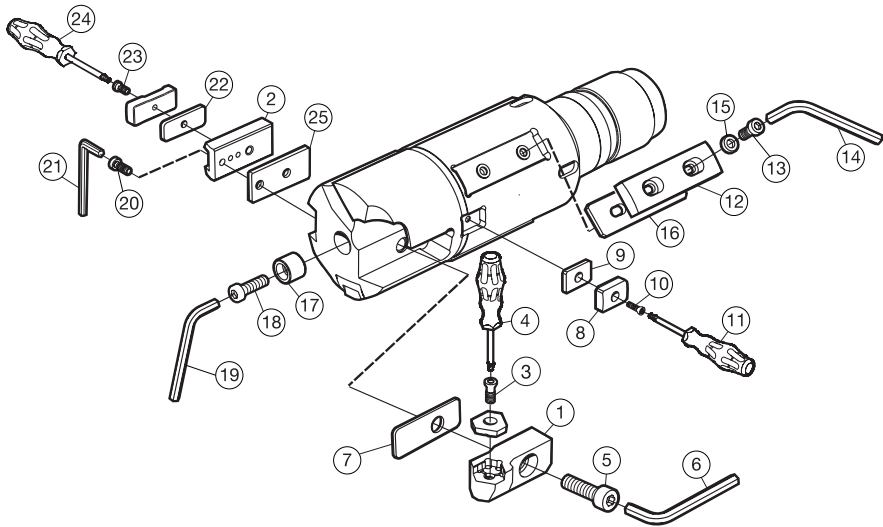
---

# CoroDrill® 818

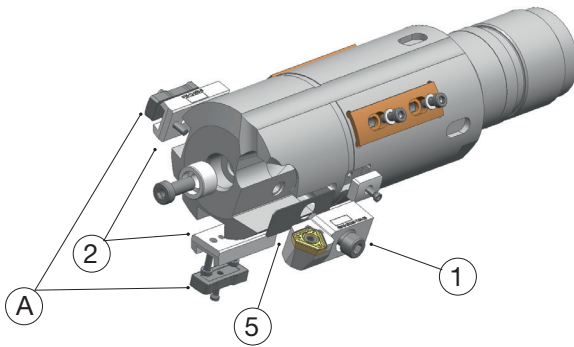


<b>Product and spare part overview, CoroDrill® 818</b>	<b>ENG</b> 4 - 7
产品和备件概述 CoroDrill® 818	<b>CHI</b> 8 - 11
<b>CoroDrill® 818 – Produit et pièces détachées</b>	<b>FRE</b> 12 - 15
<b>Übersicht – Produkte und Ersatzteile, CoroDrill® 818</b>	<b>GER</b> 16 - 19
<b>Panoramica – Prodotto e parti di ricambio CoroDrill® 818</b>	<b>ITA</b> 20 - 23
製品および部品一覧 コロドリル818	<b>JPN</b> 24 - 27
<b>Visão geral do produto e componentes, CoroDrill® 818</b>	<b>POR</b> 28 - 31
<b>Обзор продукции и комплектующих, CoroDrill® 818</b>	<b>RUS</b> 32 - 35
<b>Descripción del producto y de las piezas de repuesto, CoroDrill® 818</b>	<b>SPA</b> 36 - 39

## Spare parts for CoroDrill® 818



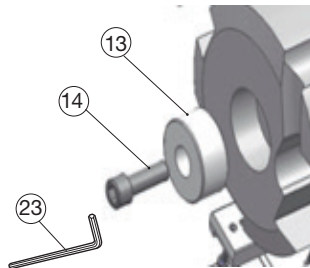
- |                         |                |
|-------------------------|----------------|
| ① Peripheral cartridge  | ⑭ Screw        |
| ② Pad shoes             | ⑮ Screw        |
| ③ Insert screw          | ⑯ Pad shim set |
| ④ Screw                 | ⑰ Screw        |
| ⑤ Cartridge shim set    | ⑱ Shim         |
| ⑥ Pad                   | ⑲ Screwdriver  |
| ⑦ Safety pad shim set   | ⑳ Key          |
| ⑧ Screw                 | ㉑ Screwdriver  |
| ⑨ Fibre pad blank       | ㉒ Key          |
| ⑩ Screw                 | ㉓ Key          |
| ⑪ Washer                | ㉔ Key          |
| ⑫ Shim                  | ㉕ Screwdriver  |
| ⑬ Seat protection plate |                |



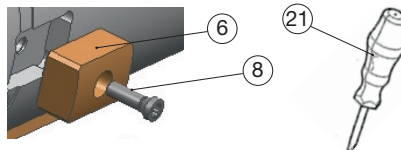
\*) Quantity to order    \*\*) Radial adjustment

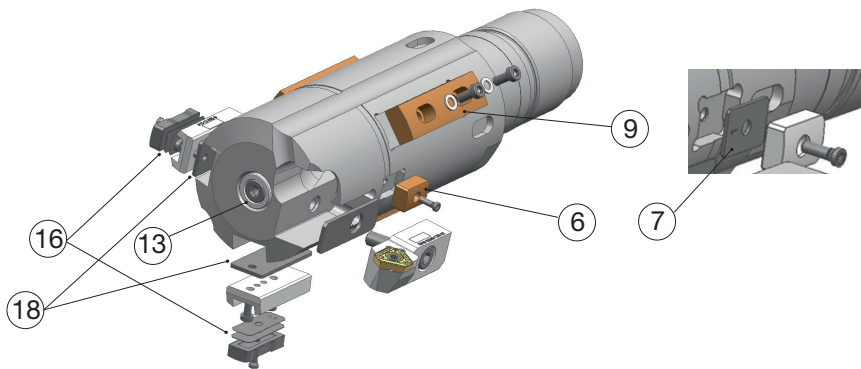
Ordering code Drill head	**) mm (inch)	Insert size	1 Peripheral cartridge	5 Cartridge shim set	2 Pad shoes	*)	A Pads	*)
A818.20-1D02.750S13B	(0.079)	TXN-25	R818-2024S-TXN-25	5549 128-10	N/A	0	430.32-12D65.0	2
A818.20-1D03.000S14B	(0.197)	TXN-25	R818-2024S-TXN-25	5549 128-10	818-12-065-S	2	430.32-12D75.0	2
A818.20-1D03.500S15B	(0.197)	TXN-25	R818-2024S-TXN-25	5549 128-10	818-12-065-S	2	430.32-12D85.0	2
A818.20-1D03.750S16B	(0.197)	TXN-40	R818-2532S-TXN-40	5549 128-20	818-12-065-S	2	430.32-12D95.0	2
A818.20-1D04.000S17B	(0.315)	TXN-40	R818-2532S-TXN-40	5549 128-20	818-16-110-S	2	430.32-16D100.0	2
A818.20-1D04.750S19B	(0.315)	TXN-40	R818-2532S-TXN-40	5549 128-20	818-16-110-S	2	430.32-16D120.0	2
A818.20-1D05.750S21B	(0.315)	TXN-40	R818-2532S-TXN-40	5549 128-20	818-16-110-S	2	430.32-16D140.0	2
A818.20-1D06.750S23B	(0.315)	TXN-40	R818-2532S-TXN-40	5549 128-20	818-16-110-S	2	430.32-16D170.0	2
A818.20-1D07.750S25B	(0.315)	TXN-40	R818-2532S-TXN-40	5549 128-20	818-16-110-S	2	430.32-16D180.0	2
A818.20-1D08.750S27B	(0.315)	TXN-40	R818-2532S-TXN-40	5549 128-20	818-18-300-R	2	430.21-18D200.0	2
A818.20-1D09.375S28B	(0.315)	TXN-40	R818-2532S-TXN-40	5549 128-20	818-18-300-R	2	430.21-18D225.0	2
A818.20-1D10.625S30B	(0.315)	TXN-40	R818-2532S-TXN-40	5549 128-20	818-18-300-R	2	430.21-18D250.0	2
A818.20-1D11.250S32B	(0.315)	TXN-40	R818-2532S-TXN-40	5549 128-20	818-18-300-R	2	430.21-18D250.0	2
818.20-1D040.00S08B	1.50	TXN-16	R818-1016B-TXN-16	5549 128-00	818-08-030-R	2	430.21-08D38.0	2
818.20-1D043.00S08B	2.00	TXN-16	R818-1016B-TXN-16	5549 128-00	818-08-040-R	2	430.21-08D38.0	2
818.20-1D047.00S09B	2.00	TXN-16	R818-1016B-TXN-16	5549 128-00	818-10-040-R	2	430.21-10D47.0	2
818.20-1D051.00S10B	2.00	TXN-16	R818-1016B-TXN-16	5549 128-00	818-10-040-R	2	430.21-10D47.0	2
818.20-1D055.00S10B	2.00	TXN-16	R818-1016B-TXN-16	5549 128-00	818-10-040-R	2	430.21-10D52.0	2
818.20-1D059.00S11B	2.00	TXN-16	R818-1016B-TXN-16	5549 128-00	818-10-040-R	2	430.21-10D58.0	2
818.20-1D063.00S12B	2.00	TXN-16	R818-1016B-TXN-16	5549 128-00	818-10-040-R	2	430.21-10D58.0	2
818.20-1D065.00S12B	2.00	TXN-25	R818-2024S-TXN-25	5549 128-10	N/A	0	430.32-12D65.0	2
818.20-1D073.00S13B	2.00	TXN-25	R818-2024S-TXN-25	5549 128-10	N/A	0	430.32-12D70.0	2
818.20-1D078.00S14B	5.00	TXN-25	R818-2024S-TXN-25	5549 128-10	818-12-065-S	2	430.32-12D75.0	2
818.20-1D085.00S15B	5.00	TXN-25	R818-2024S-TXN-25	5549 128-10	818-12-065-S	2	430.32-12D85.0	2
818.20-1D110.00S18B	8.00	TXN-40	R818-2532S-TXN-40	5549 128-20	818-16-110-S	2	430.32-16D110.0	2
818.20-1D135.00S20B	8.00	TXN-40	R818-2532S-TXN-40	5549 128-20	818-16-110-S	2	430.32-16D130.0	2
818.20-1D160.00S22B	8.00	TXN-40	R818-2532S-TXN-40	5549 128-20	818-16-110-S	2	430.32-16D160.0	2
818.20-1D185.00S24B	8.00	TXN-40	R818-2532S-TXN-40	5549 128-20	818-16-110-S	2	430.32-16D180.0	2
818.20-1D210.00S26B	8.00	TXN-40	R818-2532S-TXN-40	5549 128-20	818-18-300-R	2	430.21-18D200.0	2
818.20-1D254.00S30B	8.00	TXN-40	R818-2532S-TXN-40	5549 128-20	818-18-300-R	2	430.21-18D250.0	2

13 Seat protection plate	14 Screw	23 Key
5549 029-01	3212 020-259	3021 010-030
5549 029-02	3212 020-309	3021 010-040
5549 029-03	3212 020-360	3021 010-050
5549 029-04	3212 020-410	3021 010-060
5549 029-05	3212 020-462	3021 010-080
5549 029-06	3212 010-513	3021 010-100
5549 029-07	3212 010-564	3021 010-140

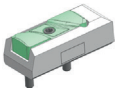




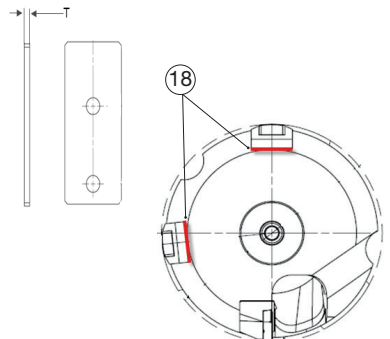
6 Pad	8 Screw	21 Screwdriver
801-142067-S	5513 020-01	5680 046-02
801-202582-S	5513 020-26	5680 046-06



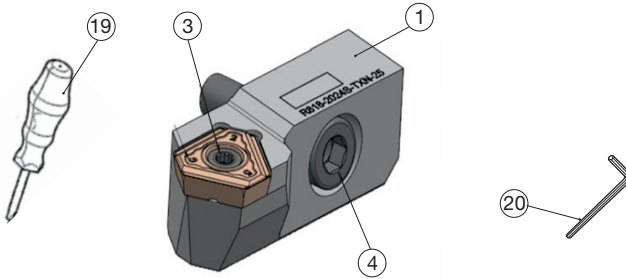
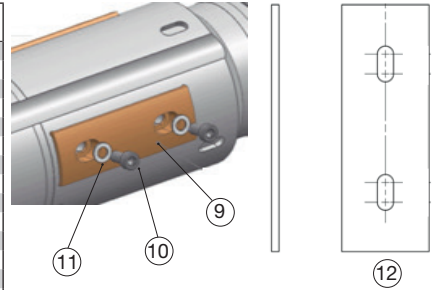


A Pads (optional)	*)	13 Seat protection plate	16 Pad shim set	*)	6 Pad	*)	7 Safety pad shim set	*)	9 Fibre pad blank	*)
800-14D065 PM1	2	5549 029-01	5549 127-20	2	801-142067-S	2	5549 126-90	2	5571 001-06	3
800-16D075 PM1	2	5549 029-03	5549 127-20	2	801-142067-S	1	5549 126-90	1	5571 001-07	3
800-18D085 PM1	2	5549 029-04	5549 127-20	2	801-142067-S	1	5549 126-90	1	5571 001-08	3
800-18D085 PM1	2	5549 029-04	5549 127-20	2	801-142067-S	1	5549 126-90	1	5571 001-08	3
800-20D100 PM1	2	5549 029-04	5549 126-10	2	801-202582-S	1	5549 126-91	1	5571 001-09	3
800-24D120 PM1	2	5549 029-05	5549 126-10	2	801-202582-S	1	5549 126-91	1	5571 001-09	3
N/A	2	5549 029-05	5549 126-10	2	801-202582-S	1	5549 126-91	1	5571 001-10	3
N/A	-	5549 029-06	5549 126-10	2	801-202582-S	1	5549 126-91	1	5571 001-11	3
N/A	-	5549 029-06	5549 126-10	2	801-202582-S	1	5549 126-91	1	5571 001-11	3
N/A	-	5549 029-07	N/A	-	801-202582-S	1	5549 126-91	1	5571 001-12	3
N/A	-	5549 029-07	N/A	-	801-202582-S	1	5549 126-91	1	5571 001-12	3
N/A	-	5549 029-07	N/A	-	801-202582-S	1	5549 126-91	1	5571 001-13	3
N/A	-	5549 029-07	N/A	-	801-202582-S	1	5549 126-91	1	5571 001-13	3
N/A	-	N/A	N/A	-	N/A	-	N/A	-	5571 001-05	3
N/A	-	N/A	N/A	-	N/A	-	N/A	-	5571 001-05	3
N/A	-	N/A	N/A	-	N/A	-	5549 126-90	1	5571 001-05	3
N/A	-	N/A	N/A	-	N/A	-	5549 126-90	1	5571 001-06	3
N/A	-	N/A	N/A	-	801-142067-S	1	5549 126-90	1	5571 001-06	3
N/A	-	N/A	N/A	-	801-142067-S	1	5549 126-90	1	5571 001-06	3
N/A	-	N/A	N/A	-	801-142067-S	1	5549 126-90	1	5571 001-06	3
800-14D065 PM1	2	5549 029-01	5549 127-20	2	801-142067-S	2	5549 126-90	2	5571 001-06	3
800-14D065 PM1	2	5549 029-02	5549 127-20	2	801-142067-S	2	5549 126-90	2	5571 001-07	3
800-16D075 PM1	2	5549 029-03	5549 127-20	2	801-142067-S	1	5549 126-90	1	5571 001-07	3
800-18D085 PM1	2	5549 029-04	5549 127-20	2	801-142067-S	1	5549 126-90	1	5571 001-07	3
800-22D110 PM1	2	5549 029-04	5549 127-10	2	801-202582-S	1	5549 126-91	1	5571 001-09	3
800-26D130 PM1	2	5549 029-05	5549 126-10	2	801-202582-S	1	5549 126-91	1	5571 001-10	3
N/A	-	5549 029-06	5549 126-10	2	801-202582-S	1	5549 126-91	1	5571 001-11	3
N/A	-	5549 029-06	5549 126-10	2	801-202582-S	1	5549 126-91	1	5571 001-11	3
N/A	-	5549 029-07	N/A	-	801-202582-S	1	5549 126-91	1	5571 001-12	3
N/A	-	5549 029-07	N/A	-	801-202582-S	1	5549 126-91	1	5571 001-13	3

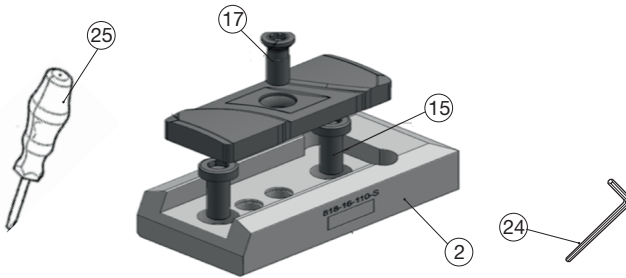
	2 Pad shoes	18 Shim	T
	818-12-065-S & 818-12-100-S	5549 127-30	2
		5549 127-31	3
		5549 127-32	5
	818-16-110-S & 818-16-150-S	5549 126-40	2
		5549 126-41	3
		5549 126-42	5
	5549 126-43	8	
	818-08-030-R	5549 126-92	Shim set
	818-08-040-R		
	818-10-030-R	5549 128-30	Shim set
	818-10-040-R	5549 126-79	Shim set
		5549 126-80	2
		5549 126-81	3
		5549 126-82	4
		5549 126-88	8



9	10	11	12
Fibre pad blank	Screw	Washer	Shim
5571 001-01	3212 010-105	3411 010-022	5549 126-51
5571 001-02	3212 010-155	3411 010-027	5549 126-52
5571 001-03	3212 010-155	3411 010-027	5549 126-53
5571 001-04	3212 010-205	3411 010-032	5549 126-54
5571 001-05	3212 010-205	3411 010-032	5549 126-55
5571 001-06	3212 010-257	3411 010-043	5549 126-56
5571 001-07	3212 010-308	3411 010-053	5549 126-57
5571 001-08	3212 010-399	3411 010-064	5549 126-58
5571 001-09	3212 010-399	3411 010-064	5549 126-59
5571 001-10	3212 010-409	3411 010-084	5549 126-60
5571 001-11	3212 010-460	3411 010-105	5549 126-61
5571 001-12	3212 010-460	3411 010-105	5549 126-62
5571 001-13	3212 020-511	3411 010-130	5549 126-63
5571 001-14	3212 020-511	3411 010-130	5549 126-64



1	3	19	4	20
Peripheral cartridge	Insert screw	Screwdriver	Screw	Key
R818-1016B-TXN-16	5513 020-02	5680 046-02	3212 010-310	3021 010-040
R818-2024S-TXN-25	5513 020-55	5680 046-06	3212 010-412	3021 010-060
R818-2532S-TXN-40	5513 020-14	5680 046-07	3212 010-464	3021 010-080



2	15	24	17	25
Pad shoes	Screw	Key	Screw	Screwdriver
818-08-030-R	148C-831	3021 010-030	5513 030-02	5680 051-02
818-08-040-R	148C-831	3021 010-030	5513 030-02	5680 051-02
818-10-040-R	148C-831	3021 010-030	5513 011-01	5680 051-02
818-12-065-S	3212 020-258	3021 010-030	5513 020-01	5680 046-02
818-12-100-S	3212 020-258	3021 010-030	5513 020-01	5680 046-02
818-16-110-S	3212 020-309	3021 010-040	5513 020-26	5680 046-06
818-16-150-S	3212 020-309	3021 010-040	5513 020-26	5680 046-06
818-18-300-R	3212 010-363	3021 010-050	430.21-820	3021 010-030



Please contact your local Sandvik Coromant representative for more information regarding appropriate inserts.

5 Cartridge shim set 5549 128-00			Individual shims
Pcs	Size		
	mm	Inch	
1	0.05	0.002	5549 128-19
2	0.1	0.004	5549 128-01
2	0.15	0.006	5549 128-02
1	0.5	0.020	5549 128-03
1	1	0.039	5549 128-04
1	2	0.079	5549 128-05

5 Cartridge shim set 5549 128-10			Individual shims
Pcs	Size		
	mm	Inch	
1	0.05	0.002	5549 128-18
2	0.1	0.004	5549 128-11
2	0.15	0.006	5549 128-12
1	0.5	0.02	5549 128-13
1	1	0.039	5549 128-14
1	2	0.079	5549 128-15
1	3	0.118	5549 128-16
1	5	0.197	5549 128-17

5 Cartridge shim set 5549 128-20			Individual shims
Pcs	Size		
	mm	Inch	
1	0.05	0.002	5549 128-29
2	0.1	0.004	5549 128-21
2	0.15	0.006	5549 128-22
1	0.5	0.02	5549 128-23
1	1	0.039	5549 128-24
1	2	0.079	5549 128-25
1	3	0.118	5549 128-26
1	5	0.197	5549 128-27
1	8	0.315	5549 128-28

7 Safety pads shim set 5549 126-90		
Pcs	Size	
	mm	Inch
1	0.2	0.008
1	0.5	0.020
1	1	0.039

7 Safety pads shim set 5549 126-91		
Pcs	Size	
	mm	Inch
1	0.2	0.008
1	0.5	0.020
1	1	0.039

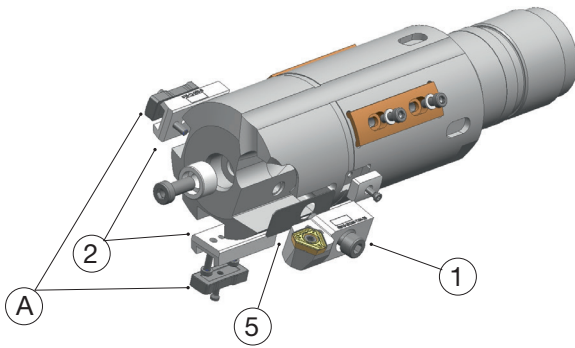
16 Support pad shim set 5549 126-10			Individual shims
Pcs	Size		
	mm	Inch	
3	0.05	0.002	5549 126-07
3	0.1	0.004	5549 126-01
3	0.15	0.006	5549 126-04
3	0.2	0.008	5549 126-02
3	0.3	0.012	5549 126-03
3	2	0.079	5549 126-05
3	2.5	0.098	5549 126-06

16 Support pad shim set 5549 127-20			Individual shims
Pcs	Size		
	mm	Inch	
3	0.05	0.002	5549 127-22
3	0.1	0.004	5549 127-01
3	0.15	0.006	5549 127-21
3	0.2	0.008	5549 127-02
3	0.3	0.012	5549 127-03
3	0.5	0.020	5549 127-04
3	0.75	0.029	5549 127-23
3	1.5	0.059	5549 127-24
3	2	0.079	5549 127-07

18 Cartridge shim set 5549 126-92 (Pad shoes 818-08-030/040-R)			Individual shims
Pcs	Size		
	mm	Inch	
1	0.05	0.002	5549 126-104
3	0.1	0.004	5549 126-97
3	0.15	0.006	5549 126-98
1	0.5	0.020	5549 126-101
1	1.5	0.059	5549 126-102
1	2	0.079	5549 126-103

18 Cartridge shim set 5549 128-30 (Pad shoes 818-10-040-R)			Individual shims
Pcs	Size		
	mm	Inch	
1	0.05	0.002	5549 128-36
3	0.1	0.004	5549 128-31
3	0.15	0.006	5549 128-32
1	0.5	0.020	5549 128-33
1	1	0.039	5549 128-34
1	2	0.079	5549 128-35

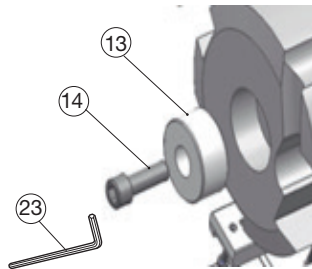
18 Cartridge shim set 5549 126-79 (Pad shoes 818-08-18-300-R)			Individual shims
Pcs	Size		
	mm	Inch	
1	0.05	0.002	5549 126-87
3	0.1	0.004	5549 126-86
3	0.15	0.006	5549 126-85
1	0.5	0.020	5549 126-84
1	1	0.039	5549 126-83



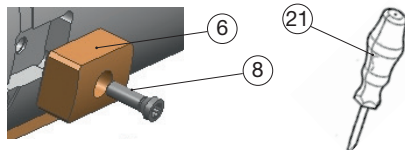
\*) 可订购的数量 \*\*) 径向调整量

订货号 钻头	**) mm (inch)	刀片型号	1 周边刀夹	5 刀夹垫片组件	2 支撑板座	*)	A 支撑板	*)
A818.20-1D02.750S13B	(0.079)	TXN-25	R818-2024S-TXN-25	5549 128-10	N/A	0	430.32-12D65.0	2
A818.20-1D03.000S14B	(0.197)	TXN-25	R818-2024S-TXN-25	5549 128-10	818-12-065-S	2	430.32-12D75.0	2
A818.20-1D03.500S15B	(0.197)	TXN-25	R818-2024S-TXN-25	5549 128-10	818-12-065-S	2	430.32-12D85.0	2
A818.20-1D03.750S16B	(0.197)	TXN-40	R818-2532S-TXN-40	5549 128-20	818-12-065-S	2	430.32-12D95.0	2
A818.20-1D04.000S17B	(0.315)	TXN-40	R818-2532S-TXN-40	5549 128-20	818-16-110-S	2	430.32-16D100.0	2
A818.20-1D04.750S19B	(0.315)	TXN-40	R818-2532S-TXN-40	5549 128-20	818-16-110-S	2	430.32-16D120.0	2
A818.20-1D05.750S21B	(0.315)	TXN-40	R818-2532S-TXN-40	5549 128-20	818-16-110-S	2	430.32-16D140.0	2
A818.20-1D06.750S23B	(0.315)	TXN-40	R818-2532S-TXN-40	5549 128-20	818-16-110-S	2	430.32-16D170.0	2
A818.20-1D07.750S25B	(0.315)	TXN-40	R818-2532S-TXN-40	5549 128-20	818-16-110-S	2	430.32-16D180.0	2
A818.20-1D08.750S27B	(0.315)	TXN-40	R818-2532S-TXN-40	5549 128-20	818-18-300-R	2	430.21-18D200.0	2
A818.20-1D09.375S28B	(0.315)	TXN-40	R818-2532S-TXN-40	5549 128-20	818-18-300-R	2	430.21-18D225.0	2
A818.20-1D10.625S30B	(0.315)	TXN-40	R818-2532S-TXN-40	5549 128-20	818-18-300-R	2	430.21-18D250.0	2
A818.20-1D11.250S32B	(0.315)	TXN-40	R818-2532S-TXN-40	5549 128-20	818-18-300-R	2	430.21-18D250.0	2
818.20-1D04.00S08B	1.50	TXN-16	R818-1016B-TXN-16	5549 128-00	818-08-030-R	2	430.21-08D38.0	2
818.20-1D04.00S08B	2.00	TXN-16	R818-1016B-TXN-16	5549 128-00	818-08-040-R	2	430.21-08D38.0	2
818.20-1D04.00S09B	2.00	TXN-16	R818-1016B-TXN-16	5549 128-00	818-10-040-R	2	430.21-10D47.0	2
818.20-1D05.100S10B	2.00	TXN-16	R818-1016B-TXN-16	5549 128-00	818-10-040-R	2	430.21-10D47.0	2
818.20-1D05.00S10B	2.00	TXN-16	R818-1016B-TXN-16	5549 128-00	818-10-040-R	2	430.21-10D52.0	2
818.20-1D05.900S11B	2.00	TXN-16	R818-1016B-TXN-16	5549 128-00	818-10-040-R	2	430.21-10D58.0	2
818.20-1D06.300S12B	2.00	TXN-16	R818-1016B-TXN-16	5549 128-00	818-10-040-R	2	430.21-10D58.0	2
818.20-1D06.00S12B	2.00	TXN-25	R818-2024S-TXN-25	5549 128-10	N/A	0	430.32-12D65.0	2
818.20-1D07.00S13B	2.00	TXN-25	R818-2024S-TXN-25	5549 128-10	N/A	0	430.32-12D70.0	2
818.20-1D07.800S14B	5.00	TXN-25	R818-2024S-TXN-25	5549 128-10	818-12-065-S	2	430.32-12D75.0	2
818.20-1D08.00S15B	5.00	TXN-25	R818-2024S-TXN-25	5549 128-10	818-12-065-S	2	430.32-12D85.0	2
818.20-1D11.00S18B	8.00	TXN-40	R818-2532S-TXN-40	5549 128-20	818-16-110-S	2	430.32-16D110.0	2
818.20-1D135.00S20B	8.00	TXN-40	R818-2532S-TXN-40	5549 128-20	818-16-110-S	2	430.32-16D130.0	2
818.20-1D160.00S22B	8.00	TXN-40	R818-2532S-TXN-40	5549 128-20	818-16-110-S	2	430.32-16D160.0	2
818.20-1D185.00S24B	8.00	TXN-40	R818-2532S-TXN-40	5549 128-20	818-16-110-S	2	430.32-16D180.0	2
818.20-1D210.00S26B	8.00	TXN-40	R818-2532S-TXN-40	5549 128-20	818-18-300-R	2	430.21-18D200.0	2
818.20-1D254.00S30B	8.00	TXN-40	R818-2532S-TXN-40	5549 128-20	818-18-300-R	2	430.21-18D250.0	2

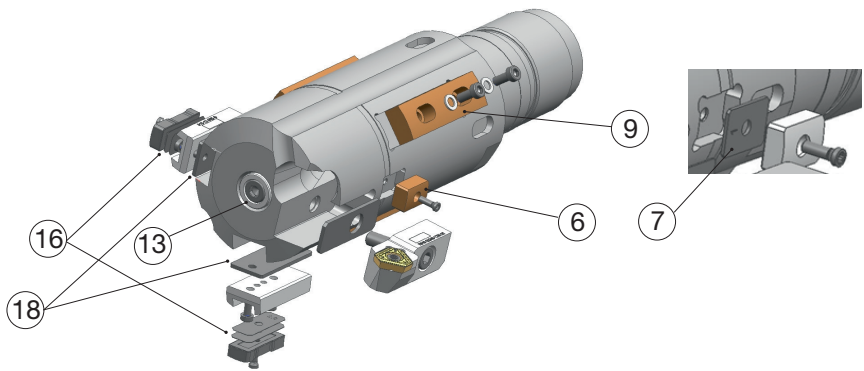
13 刀座保护板	14 螺钉	23 扳手
5549 029-01	3212 020-259	3021 010-030
5549 029-02	3212 020-309	3021 010-040
5549 029-03	3212 020-360	3021 010-050
5549 029-04	3212 020-410	3021 010-060
5549 029-05	3212 020-462	3021 010-080
5549 029-06	3212 010-513	3021 010-100
5549 029-07	3212 010-564	3021 010-140



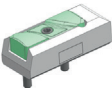


6 支撑板	8 螺钉	21 改锥
801-142067-S	5513 020-01	5680 046-02
801-202582-S	5513 020-26	5680 046-06

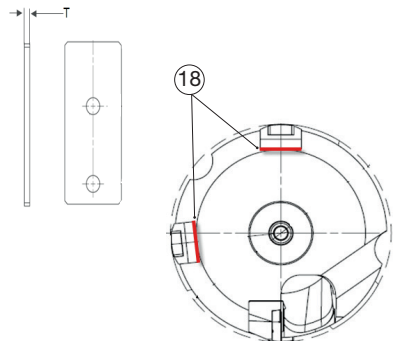




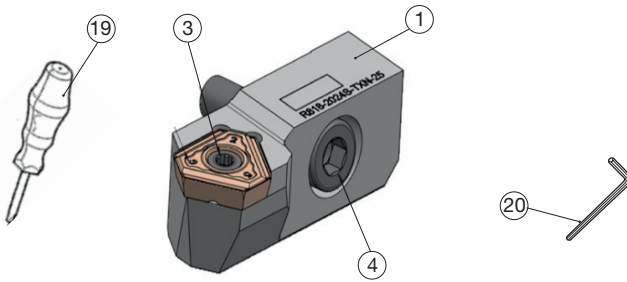
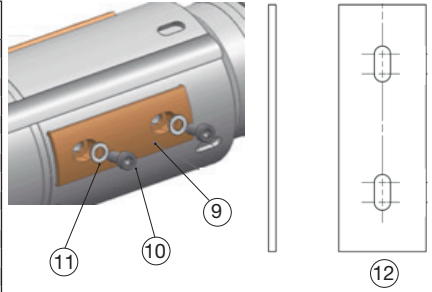


A	*)	13	16	*)	6	*)	7	*)	9	*)
支撑板		刀座保护板	支撑板垫片组件		支撑板		保护板垫片组件		纤维支撑板	
800-14D065 PM1	2	5549 029-01	5549 127-20	2	801-142067-S	2	5549 126-90	2	5571 001-06	3
800-16D075 PM1	2	5549 029-03	5549 127-20	2	801-142067-S	1	5549 126-90	1	5571 001-07	3
800-18D085 PM1	2	5549 029-04	5549 127-20	2	801-142067-S	1	5549 126-90	1	5571 001-07	3
800-18D085 PM1	2	5549 029-04	5549 127-20	2	801-142067-S	1	5549 126-90	1	5571 001-08	3
800-20D100 PM1	2	5549 029-04	5549 126-10	2	801-202582-S	1	5549 126-91	1	5571 001-09	3
800-24D120 PM1	2	5549 029-05	5549 126-10	2	801-202582-S	1	5549 126-91	1	5571 001-09	3
N/A	2	5549 029-05	5549 126-10	2	801-202582-S	1	5549 126-91	1	5571 001-10	3
N/A	-	5549 029-06	5549 126-10	2	801-202582-S	1	5549 126-91	1	5571 001-11	3
N/A	-	5549 029-06	5549 126-10	2	801-202582-S	1	5549 126-91	1	5571 001-11	3
N/A	-	5549 029-07	N/A	-	801-202582-S	1	5549 126-91	1	5571 001-12	3
N/A	-	5549 029-07	N/A	-	801-202582-S	1	5549 126-91	1	5571 001-12	3
N/A	-	5549 029-07	N/A	-	801-202582-S	1	5549 126-91	1	5571 001-13	3
N/A	-	5549 029-07	N/A	-	801-202582-S	1	5549 126-91	1	5571 001-13	3
N/A	-	N/A	N/A	-	N/A	-	N/A	-	5571 001-05	3
N/A	-	N/A	N/A	-	N/A	-	N/A	-	5571 001-05	3
N/A	-	N/A	N/A	-	N/A	-	5549 126-90	1	5571 001-05	3
N/A	-	N/A	N/A	-	N/A	-	5549 126-90	1	5571 001-06	3
N/A	-	N/A	N/A	-	801-142067-S	1	5549 126-90	1	5571 001-06	3
N/A	-	N/A	N/A	-	801-142067-S	1	5549 126-90	1	5571 001-06	3
N/A	-	N/A	N/A	-	801-142067-S	1	5549 126-90	1	5571 001-06	3
800-14D065 PM1	2	5549 029-01	5549 127-20	2	801-142067-S	2	5549 126-90	2	5571 001-06	3
800-14D065 PM1	2	5549 029-02	5549 127-20	2	801-142067-S	2	5549 126-90	2	5571 001-07	3
800-16D075 PM1	2	5549 029-03	5549 127-20	2	801-142067-S	1	5549 126-90	1	5571 001-07	3
800-18D085 PM1	2	5549 029-04	5549 127-20	2	801-142067-S	1	5549 126-90	1	5571 001-07	3
800-22D110 PM1	2	5549 029-04	5549 127-10	2	801-202582-S	1	5549 126-91	1	5571 001-09	3
800-26D130 PM1	2	5549 029-05	5549 126-10	2	801-202582-S	1	5549 126-91	1	5571 001-10	3
N/A	-	5549 029-06	5549 126-10	2	801-202582-S	1	5549 126-91	1	5571 001-11	3
N/A	-	5549 029-06	5549 126-10	2	801-202582-S	1	5549 126-91	1	5571 001-11	3
N/A	-	5549 029-07	N/A	-	801-202582-S	1	5549 126-91	1	5571 001-12	3
N/A	-	5549 029-07	N/A	-	801-202582-S	1	5549 126-91	1	5571 001-13	3

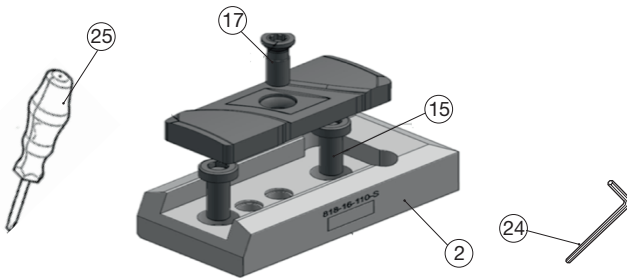
	2	18	T
	支撑板座	垫片	
	818-12-065-S & 818-12-100-S	5549 127-30	2
		5549 127-31	3
		5549 127-32	5
	818-16-110-S & 818-16-150-S	5549 126-40	2
		5549 126-41	3
		5549 126-42	5
		5549 126-43	8
	818-08-030-R	5549 126-92	垫片组件
	818-08-040-R		
	818-10-030-R		
	818-10-040-R	5549 128-30	垫片组件
	818-18-300-R	5549 126-79	垫片组件
		5549 126-80	2
		5549 126-81	3
		5549 126-82	4
	5549 126-88	8	



9 纤维支撑板	10 螺钉	11 垫圈	12 垫片
5571 001-01	3212 010-105	3411 010-022	5549 126-51
5571 001-02	3212 010-155	3411 010-027	5549 126-52
5571 001-03	3212 010-155	3411 010-027	5549 126-53
5571 001-04	3212 010-205	3411 010-032	5549 126-54
5571 001-05	3212 010-205	3411 010-032	5549 126-55
5571 001-06	3212 010-257	3411 010-043	5549 126-56
5571 001-07	3212 010-308	3411 010-053	5549 126-57
5571 001-08	3212 010-399	3411 010-064	5549 126-58
5571 001-09	3212 010-399	3411 010-064	5549 126-59
5571 001-10	3212 010-409	3411 010-084	5549 126-60
5571 001-11	3212 010-460	3411 010-105	5549 126-61
5571 001-12	3212 010-460	3411 010-105	5549 126-62
5571 001-13	3212 020-511	3411 010-130	5549 126-63
5571 001-14	3212 020-511	3411 010-130	5549 126-64



1 周边刀夹	3 刀片螺钉	19 改锥	4 螺钉	20 扳手
R818-1016B-TXN-16	5513 020-02	5680 046-02	3212 010-310	3021 010-040
R818-2024S-TXN-25	5513 020-55	5680 046-06	3212 010-412	3021 010-060
R818-2532S-TXN-40	5513 020-14	5680 046-07	3212 010-464	3021 010-080



2 支撑板座	15 螺钉	24 扳手	17 螺钉	25 改锥
818-08-030-R	148C-831	3021 010-030	5513 030-02	5680 051-02
818-08-040-R	148C-831	3021 010-030	5513 030-02	5680 051-02
818-10-040-R	148C-831	3021 010-030	5513 011-01	5680 051-02
818-12-065-S	3212 020-258	3021 010-030	5513 020-01	5680 046-02
818-12-100-S	3212 020-258	3021 010-030	5513 020-01	5680 046-02
818-16-110-S	3212 020-309	3021 010-040	5513 020-26	5680 046-06
818-16-150-S	3212 020-309	3021 010-040	5513 020-26	5680 046-06
818-18-300-R	3212 010-363	3021 010-050	430.21-820	3021 010-030



如需更多信息，请与您当地的山特维克可乐满办事处联系。

5 刀夹垫片组件 5549 128-00			单个刀垫
件	尺寸		
	mm	Inch	
1	0.05	0.002	5549 128-19
2	0.1	0.004	5549 128-01
2	0.15	0.006	5549 128-02
1	0.5	0.020	5549 128-03
1	1	0.039	5549 128-04
1	2	0.079	5549 128-05

5 刀夹垫片组件 5549 128-10			单个刀垫
件	尺寸		
	mm	Inch	
1	0.05	0.002	5549 128-18
2	0.1	0.004	5549 128-11
2	0.15	0.006	5549 128-12
1	0.5	0.02	5549 128-13
1	1	0.039	5549 128-14
1	2	0.079	5549 128-15
1	3	0.118	5549 128-16
1	5	0.197	5549 128-17

5 刀夹垫片组件 5549 128-20			单个刀垫
件	尺寸		
	mm	Inch	
1	0.05	0.002	5549 128-29
2	0.1	0.004	5549 128-21
2	0.15	0.006	5549 128-22
1	0.5	0.02	5549 128-23
1	1	0.039	5549 128-24
1	2	0.079	5549 128-25
1	3	0.118	5549 128-26
1	5	0.197	5549 128-27
1	8	0.315	5549 128-28

7 保护板垫片组件 5549 126-90		
件	尺寸	
	mm	Inch
1	0.2	0.008
1	0.5	0.020
1	1	0.039

7 保护板垫片组件 5549 126-91		
件	尺寸	
	mm	Inch
1	0.2	0.008
1	0.5	0.020
1	1	0.039

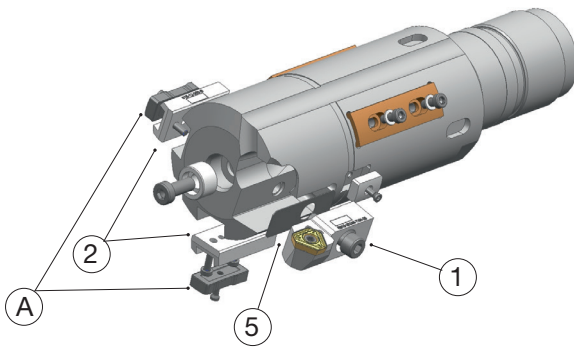
16 支撑板垫片组件 5549 126-10			单个刀垫
件	尺寸		
	mm	Inch	
3	0.05	0.002	5549 126-07
3	0.1	0.004	5549 126-01
3	0.15	0.006	5549 126-04
3	0.2	0.008	5549 126-02
3	0.3	0.012	5549 126-03
3	2	0.079	5549 126-05
3	2.5	0.098	5549 126-06

16 支撑板垫片组件 5549 127-20			单个刀垫
件	尺寸		
	mm	Inch	
3	0.05	0.002	5549 127-22
3	0.1	0.004	5549 127-01
3	0.15	0.006	5549 127-21
3	0.2	0.008	5549 127-02
3	0.3	0.012	5549 127-03
3	0.5	0.020	5549 127-04
3	0.75	0.029	5549 127-23
3	1.5	0.059	5549 127-24
3	2	0.079	5549 127-07

18 垫片组件 5549 126-92 (支撑板座 818-08-030/040-R)			单个刀垫
件	尺寸		
	mm	Inch	
1	0.05	0.002	5549 126-104
3	0.1	0.004	5549 126-97
3	0.15	0.006	5549 126-98
1	0.5	0.020	5549 126-101
1	1.5	0.059	5549 126-102
1	2	0.079	5549 126-103

18 垫片组件 5549 128-30 (支撑板座 818-10-040-R)			单个刀垫
件	尺寸		
	mm	Inch	
1	0.05	0.002	5549 128-36
3	0.1	0.004	5549 128-31
3	0.15	0.006	5549 128-32
1	0.5	0.020	5549 128-33
1	1	0.039	5549 128-34
1	2	0.079	5549 128-35

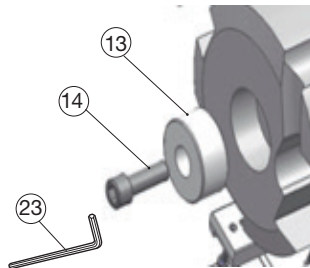
18 垫片组件 5549 126-79 (支撑板座 818-18-300-R)			单个刀垫
件	尺寸		
	mm	Inch	
1	0.05	0.002	5549 126-87
3	0.1	0.004	5549 126-86
3	0.15	0.006	5549 126-85
1	0.5	0.020	5549 126-84
1	1	0.039	5549 126-83



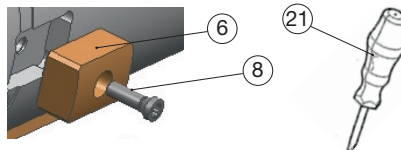
\*) Quantité à commander \*\*) Réglage radial

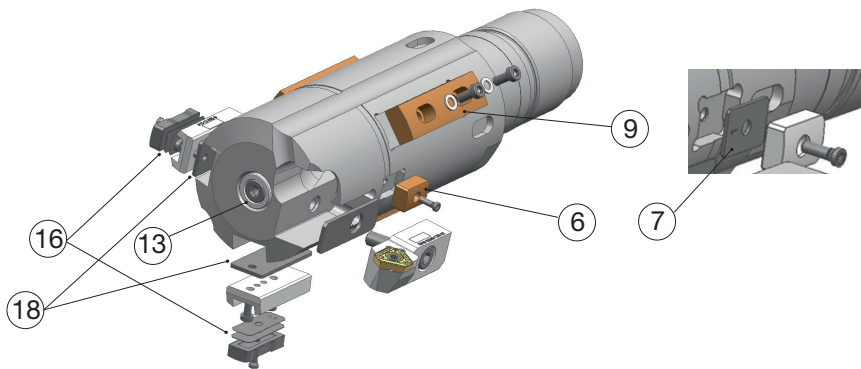
Référence de commande Tête de forage	**) mm (Pouce)	Taille de plaquette	1 Cartouche périphérique	5 Jeu de cales-supports pour cartouche	2 Cales d'ételles	*)	A Ételles	*)
A818.20-1D02.750S13B	(0.079)	TXN-25	R818-2024S-TXN-25	5549 128-10	N/A	0	430.32-12D65.0	2
A818.20-1D03.000S14B	(0.197)	TXN-25	R818-2024S-TXN-25	5549 128-10	818-12-065-S	2	430.32-12D75.0	2
A818.20-1D03.500S15B	(0.197)	TXN-25	R818-2024S-TXN-25	5549 128-10	818-12-065-S	2	430.32-12D85.0	2
A818.20-1D03.750S16B	(0.197)	TXN-40	R818-2532S-TXN-40	5549 128-20	818-12-065-S	2	430.32-12D95.0	2
A818.20-1D04.000S17B	(0.315)	TXN-40	R818-2532S-TXN-40	5549 128-20	818-16-110-S	2	430.32-16D100.0	2
A818.20-1D04.750S19B	(0.315)	TXN-40	R818-2532S-TXN-40	5549 128-20	818-16-110-S	2	430.32-16D120.0	2
A818.20-1D05.750S21B	(0.315)	TXN-40	R818-2532S-TXN-40	5549 128-20	818-16-110-S	2	430.32-16D140.0	2
A818.20-1D06.750S23B	(0.315)	TXN-40	R818-2532S-TXN-40	5549 128-20	818-16-110-S	2	430.32-16D170.0	2
A818.20-1D07.750S25B	(0.315)	TXN-40	R818-2532S-TXN-40	5549 128-20	818-16-110-S	2	430.32-16D180.0	2
A818.20-1D08.750S27B	(0.315)	TXN-40	R818-2532S-TXN-40	5549 128-20	818-18-300-R	2	430.21-18D200.0	2
A818.20-1D09.375S28B	(0.315)	TXN-40	R818-2532S-TXN-40	5549 128-20	818-18-300-R	2	430.21-18D225.0	2
A818.20-1D10.625S30B	(0.315)	TXN-40	R818-2532S-TXN-40	5549 128-20	818-18-300-R	2	430.21-18D250.0	2
A818.20-1D11.250S32B	(0.315)	TXN-40	R818-2532S-TXN-40	5549 128-20	818-18-300-R	2	430.21-18D250.0	2
818.20-1D040.00S08B	1.50	TXN-16	R818-1016B-TXN-16	5549 128-00	818-08-030-R	2	430.21-08D38.0	2
818.20-1D043.00S08B	2.00	TXN-16	R818-1016B-TXN-16	5549 128-00	818-08-040-R	2	430.21-08D38.0	2
818.20-1D047.00S09B	2.00	TXN-16	R818-1016B-TXN-16	5549 128-00	818-10-040-R	2	430.21-10D47.0	2
818.20-1D051.00S10B	2.00	TXN-16	R818-1016B-TXN-16	5549 128-00	818-10-040-R	2	430.21-10D47.0	2
818.20-1D055.00S10B	2.00	TXN-16	R818-1016B-TXN-16	5549 128-00	818-10-040-R	2	430.21-10D52.0	2
818.20-1D059.00S11B	2.00	TXN-16	R818-1016B-TXN-16	5549 128-00	818-10-040-R	2	430.21-10D58.0	2
818.20-1D063.00S12B	2.00	TXN-16	R818-1016B-TXN-16	5549 128-00	818-10-040-R	2	430.21-10D58.0	2
818.20-1D065.00S12B	2.00	TXN-25	R818-2024S-TXN-25	5549 128-10	N/A	0	430.32-12D65.0	2
818.20-1D073.00S13B	2.00	TXN-25	R818-2024S-TXN-25	5549 128-10	N/A	0	430.32-12D70.0	2
818.20-1D078.00S14B	5.00	TXN-25	R818-2024S-TXN-25	5549 128-10	818-12-065-S	2	430.32-12D75.0	2
818.20-1D085.00S15B	5.00	TXN-25	R818-2024S-TXN-25	5549 128-10	818-12-065-S	2	430.32-12D85.0	2
818.20-1D110.00S18B	8.00	TXN-40	R818-2532S-TXN-40	5549 128-20	818-16-110-S	2	430.32-16D110.0	2
818.20-1D135.00S20B	8.00	TXN-40	R818-2532S-TXN-40	5549 128-20	818-16-110-S	2	430.32-16D130.0	2
818.20-1D160.00S22B	8.00	TXN-40	R818-2532S-TXN-40	5549 128-20	818-16-110-S	2	430.32-16D160.0	2
818.20-1D185.00S24B	8.00	TXN-40	R818-2532S-TXN-40	5549 128-20	818-16-110-S	2	430.32-16D180.0	2
818.20-1D210.00S26B	8.00	TXN-40	R818-2532S-TXN-40	5549 128-20	818-18-300-R	2	430.21-18D200.0	2
818.20-1D254.00S30B	8.00	TXN-40	R818-2532S-TXN-40	5549 128-20	818-18-300-R	2	430.21-18D250.0	2

13 Plaque de protection du logement	14 Vis	23 Clé
5549 029-01	3212 020-259	3021 010-030
5549 029-02	3212 020-309	3021 010-040
5549 029-03	3212 020-360	3021 010-050
5549 029-04	3212 020-410	3021 010-060
5549 029-05	3212 020-462	3021 010-080
5549 029-06	3212 010-513	3021 010-100
5549 029-07	3212 010-564	3021 010-140



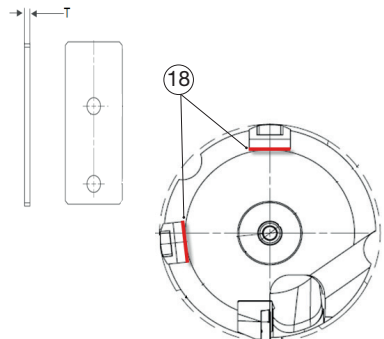
6 Ételles	8 Vis	21 Tournevis
801-142067-S	5513 020-01	5680 046-02
801-202582-S	5513 020-26	5680 046-06



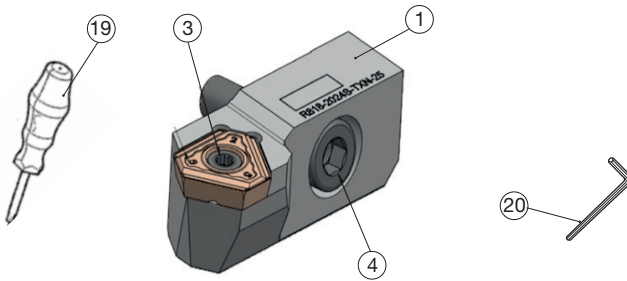
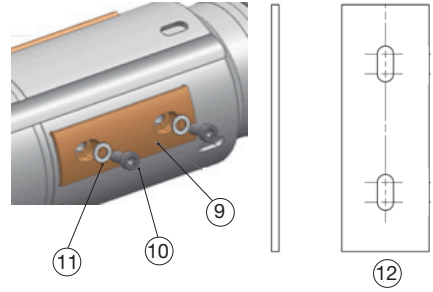


A	*)	13	16	*)	6	*)	7	*)	9	*)
Ételles (en option)		Plaque de protection du logement	Jeu de cales d'ételles		Ételles		Jeu de cales d'ételles		Ébauche d'étoile fibre	
800-14D065 PM1	2	5549 029-01	5549 127-20	2	801-142067-S	2	5549 126-90	2	5571 001-06	3
800-16D075 PM1	2	5549 029-03	5549 127-20	2	801-142067-S	1	5549 126-90	1	5571 001-07	3
800-18D085 PM1	2	5549 029-04	5549 127-20	2	801-142067-S	1	5549 126-90	1	5571 001-07	3
800-18D085 PM1	2	5549 029-04	5549 127-20	2	801-142067-S	1	5549 126-90	1	5571 001-08	3
800-20D100 PM1	2	5549 029-04	5549 126-10	2	801-202582-S	1	5549 126-91	1	5571 001-09	3
800-24D120 PM1	2	5549 029-05	5549 126-10	2	801-202582-S	1	5549 126-91	1	5571 001-09	3
N/A	2	5549 029-05	5549 126-10	2	801-202582-S	1	5549 126-91	1	5571 001-10	3
N/A	-	5549 029-06	5549 126-10	2	801-202582-S	1	5549 126-91	1	5571 001-11	3
N/A	-	5549 029-06	5549 126-10	2	801-202582-S	1	5549 126-91	1	5571 001-11	3
N/A	-	5549 029-07	N/A	-	801-202582-S	1	5549 126-91	1	5571 001-12	3
N/A	-	5549 029-07	N/A	-	801-202582-S	1	5549 126-91	1	5571 001-12	3
N/A	-	5549 029-07	N/A	-	801-202582-S	1	5549 126-91	1	5571 001-13	3
N/A	-	5549 029-07	N/A	-	801-202582-S	1	5549 126-91	1	5571 001-13	3
N/A	-	N/A	N/A	-	N/A	-	N/A	-	5571 001-05	3
N/A	-	N/A	N/A	-	N/A	-	N/A	-	5571 001-05	3
N/A	-	N/A	N/A	-	N/A	-	5549 126-90	1	5571 001-05	3
N/A	-	N/A	N/A	-	N/A	-	5549 126-90	1	5571 001-06	3
N/A	-	N/A	N/A	-	801-142067-S	1	5549 126-90	1	5571 001-06	3
N/A	-	N/A	N/A	-	801-142067-S	1	5549 126-90	1	5571 001-06	3
N/A	-	N/A	N/A	-	801-142067-S	1	5549 126-90	1	5571 001-06	3
800-14D065 PM1	2	5549 029-01	5549 127-20	2	801-142067-S	2	5549 126-90	2	5571 001-06	3
800-14D065 PM1	2	5549 029-02	5549 127-20	2	801-142067-S	2	5549 126-90	2	5571 001-07	3
800-16D075 PM1	2	5549 029-03	5549 127-20	2	801-142067-S	1	5549 126-90	1	5571 001-07	3
800-18D085 PM1	2	5549 029-04	5549 127-20	2	801-142067-S	1	5549 126-90	1	5571 001-07	3
800-22D110 PM1	2	5549 029-04	5549 127-10	2	801-202582-S	1	5549 126-91	1	5571 001-09	3
800-26D130 PM1	2	5549 029-05	5549 126-10	2	801-202582-S	1	5549 126-91	1	5571 001-10	3
N/A	-	5549 029-06	5549 126-10	2	801-202582-S	1	5549 126-91	1	5571 001-11	3
N/A	-	5549 029-06	5549 126-10	2	801-202582-S	1	5549 126-91	1	5571 001-11	3
N/A	-	5549 029-07	N/A	-	801-202582-S	1	5549 126-91	1	5571 001-12	3
N/A	-	5549 029-07	N/A	-	801-202582-S	1	5549 126-91	1	5571 001-12	3
N/A	-	5549 029-07	N/A	-	801-202582-S	1	5549 126-91	1	5571 001-13	3

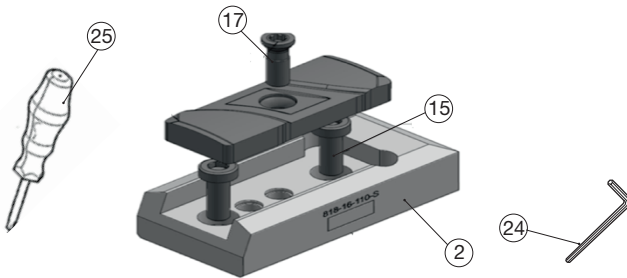
	2	18	T
	Cales d'ételles	Cale-support	
	818-12-065-S & 818-12-100-S	5549 127-30	2
		5549 127-31	3
		5549 127-32	5
	818-16-110-S & 818-16-150-S	5549 126-40	2
		5549 126-41	3
		5549 126-42	5
		5549 126-43	8
	818-08-030-R	5549 126-92	Jeu de cales-supports
	818-08-040-R		
	818-10-030-R		
	818-10-040-R	5549 128-30	Jeu de cales-supports
	818-18-300-R	5549 126-79	Jeu de cales-supports
		5549 126-80	2
		5549 126-81	3
		5549 126-82	4
		5549 126-88	8



9	10	11	12
Ébauche d'étoile fibre	Vis	Rondelle	Cale-support
5571 001-01	3212 010-105	3411 010-022	5549 126-51
5571 001-02	3212 010-155	3411 010-027	5549 126-52
5571 001-03	3212 010-155	3411 010-027	5549 126-53
5571 001-04	3212 010-205	3411 010-032	5549 126-54
5571 001-05	3212 010-205	3411 010-032	5549 126-55
5571 001-06	3212 010-257	3411 010-043	5549 126-56
5571 001-07	3212 010-308	3411 010-053	5549 126-57
5571 001-08	3212 010-399	3411 010-064	5549 126-58
5571 001-09	3212 010-399	3411 010-064	5549 126-59
5571 001-10	3212 010-409	3411 010-084	5549 126-60
5571 001-11	3212 010-460	3411 010-105	5549 126-61
5571 001-12	3212 010-460	3411 010-105	5549 126-62
5571 001-13	3212 020-511	3411 010-130	5549 126-63
5571 001-14	3212 020-511	3411 010-130	5549 126-64



1	3	19	4	20
Cartouche périphérique	Vis de plaquette	Tournevis	Vis	Clé
R818-1016B-TXN-16	5513 020-02	5680 046-02	3212 010-310	3021 010-040
R818-2024S-TXN-25	5513 020-55	5680 046-06	3212 010-412	3021 010-060
R818-2532S-TXN-40	5513 020-14	5680 046-07	3212 010-464	3021 010-080



2	15	24	17	25
Cales d'ételles	Vis	Clé	Vis	Tournevis
818-08-030-R	148C-831	3021 010-030	5513 030-02	5680 051-02
818-08-040-R	148C-831	3021 010-030	5513 030-02	5680 051-02
818-10-040-R	148C-831	3021 010-030	5513 011-01	5680 051-02
818-12-065-S	3212 020-258	3021 010-030	5513 020-01	5680 046-02
818-12-100-S	3212 020-258	3021 010-030	5513 020-01	5680 046-02
818-16-110-S	3212 020-309	3021 010-040	5513 020-26	5680 046-06
818-16-150-S	3212 020-309	3021 010-040	5513 020-26	5680 046-06
818-18-300-R	3212 010-363	3021 010-050	430.21-820	3021 010-030



Pour plus de précisions sur les plaquettes adaptées, veuillez vous adresser à votre représentant Sandvik Coromant.

5 Jeu de cales-supports pour cartouche 5549 128-00			Cales support individuelles
Pcs	Taille		
	mm	Pouce	
1	0.05	0.002	5549 128-19
2	0.1	0.004	5549 128-01
2	0.15	0.006	5549 128-02
1	0.5	0.020	5549 128-03
1	1	0.039	5549 128-04
1	2	0.079	5549 128-05

5 Jeu de cales-supports pour cartouche 5549 128-10			Cales support individuelles
Pcs	Taille		
	mm	Pouce	
1	0.05	0.002	5549 128-18
2	0.1	0.004	5549 128-11
2	0.15	0.006	5549 128-12
1	0.5	0.02	5549 128-13
1	1	0.039	5549 128-14
1	2	0.079	5549 128-15
1	3	0.118	5549 128-16
1	5	0.197	5549 128-17

5 Jeu de cales-supports pour cartouche 5549 128-20			Cales support individuelles
Pcs	Taille		
	mm	Pouce	
1	0.05	0.002	5549 128-29
2	0.1	0.004	5549 128-21
2	0.15	0.006	5549 128-22
1	0.5	0.02	5549 128-23
1	1	0.039	5549 128-24
1	2	0.079	5549 128-25
1	3	0.118	5549 128-26
1	5	0.197	5549 128-27
1	8	0.315	5549 128-28

7 Jeu de cales d'ételles 5549 126-90		
Pcs	Taille	
	mm	Pouce
1	0.2	0.008
1	0.5	0.020
1	1	0.039

7 Jeu de cales d'ételles 5549 126-91		
Pcs	Taille	
	mm	Pouce
1	0.2	0.008
1	0.5	0.020
1	1	0.039

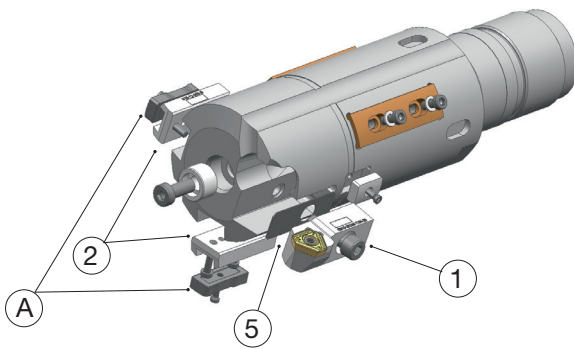
16 Jeu de cales d'ételles 5549 126-10			Cales support individuelles
Pcs	Taille		
	mm	Pouce	
3	0.05	0.002	5549 126-07
3	0.1	0.004	5549 126-01
3	0.15	0.006	5549 126-04
3	0.2	0.008	5549 126-02
3	0.3	0.012	5549 126-03
3	2	0.079	5549 126-05
3	2.5	0.098	5549 126-06

16 Jeu de cales d'ételles 5549 127-20			Cales support individuelles
Pcs	Taille		
	mm	Pouce	
3	0.05	0.002	5549 127-22
3	0.1	0.004	5549 127-01
3	0.15	0.006	5549 127-21
3	0.2	0.008	5549 127-02
3	0.3	0.012	5549 127-03
3	0.5	0.020	5549 127-04
3	0.75	0.029	5549 127-23
3	1.5	0.059	5549 127-24
3	2	0.079	5549 127-07

18 Jeu de cales-supports 5549 126-92 (Cales d'ételles 818-08-030/040-R)			Cales support individuelles
Pcs	Taille		
	mm	Pouce	
1	0.05	0.002	5549 126-104
3	0.1	0.004	5549 126-97
3	0.15	0.006	5549 126-98
1	0.5	0.020	5549 126-101
1	1.5	0.059	5549 126-102
1	2	0.079	5549 126-103

18 Jeu de cales-supports 5549 128-30 (Cales d'ételles 818-10-040-R)			Cales support individuelles
Pcs	Taille		
	mm	Pouce	
1	0.05	0.002	5549 128-36
3	0.1	0.004	5549 128-31
3	0.15	0.006	5549 128-32
1	0.5	0.020	5549 128-33
1	1	0.039	5549 128-34
1	2	0.079	5549 128-35

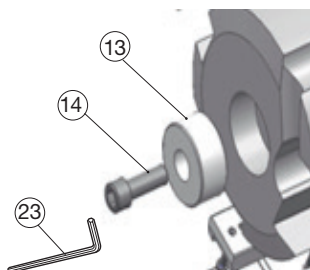
18 Jeu de cales-supports 5549 126-79 (Cales d'ételles 818-18-300-R)			Cales support individuelles
Pcs	Taille		
	mm	Pouce	
1	0.05	0.002	5549 126-87
3	0.1	0.004	5549 126-86
3	0.15	0.006	5549 126-85
1	0.5	0.020	5549 126-84
1	1	0.039	5549 126-83



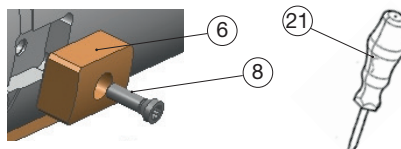
\*) Bestellmenge \*\*) Radiale Verstellung

Bestellnummer Bohrkopf	**) mm (Zoll)	Platten- größe	1 Außeneinbuhalter	5 Einbuhalter Zwischenlagensatz	2 Leisten-Kassetten	*)	A Leisten	*)
A818.20-1D02.750S13B	(0.079)	TXN-25	R818-2024S-TXN-25	5549 128-10	N/A	0	430.32-12D65.0	2
A818.20-1D03.000S14B	(0.197)	TXN-25	R818-2024S-TXN-25	5549 128-10	818-12-065-S	2	430.32-12D75.0	2
A818.20-1D03.500S15B	(0.197)	TXN-25	R818-2024S-TXN-25	5549 128-10	818-12-065-S	2	430.32-12D85.0	2
A818.20-1D03.750S16B	(0.197)	TXN-40	R818-2532S-TXN-40	5549 128-20	818-12-065-S	2	430.32-12D95.0	2
A818.20-1D04.000S17B	(0.315)	TXN-40	R818-2532S-TXN-40	5549 128-20	818-16-110-S	2	430.32-16D100.0	2
A818.20-1D04.750S19B	(0.315)	TXN-40	R818-2532S-TXN-40	5549 128-20	818-16-110-S	2	430.32-16D120.0	2
A818.20-1D05.750S21B	(0.315)	TXN-40	R818-2532S-TXN-40	5549 128-20	818-16-110-S	2	430.32-16D140.0	2
A818.20-1D06.750S23B	(0.315)	TXN-40	R818-2532S-TXN-40	5549 128-20	818-16-110-S	2	430.32-16D170.0	2
A818.20-1D07.750S25B	(0.315)	TXN-40	R818-2532S-TXN-40	5549 128-20	818-16-110-S	2	430.32-16D180.0	2
A818.20-1D08.750S27B	(0.315)	TXN-40	R818-2532S-TXN-40	5549 128-20	818-18-300-R	2	430.21-18D200.0	2
A818.20-1D09.375S28B	(0.315)	TXN-40	R818-2532S-TXN-40	5549 128-20	818-18-300-R	2	430.21-18D225.0	2
A818.20-1D10.625S30B	(0.315)	TXN-40	R818-2532S-TXN-40	5549 128-20	818-18-300-R	2	430.21-18D250.0	2
A818.20-1D11.250S32B	(0.315)	TXN-40	R818-2532S-TXN-40	5549 128-20	818-18-300-R	2	430.21-18D250.0	2
818.20-1D040.00S08B	1.50	TXN-16	R818-1016B-TXN-16	5549 128-00	818-08-030-R	2	430.21-08D38.0	2
818.20-1D043.00S08B	2.00	TXN-16	R818-1016B-TXN-16	5549 128-00	818-08-040-R	2	430.21-08D38.0	2
818.20-1D047.00S09B	2.00	TXN-16	R818-1016B-TXN-16	5549 128-00	818-10-040-R	2	430.21-10D47.0	2
818.20-1D051.00S10B	2.00	TXN-16	R818-1016B-TXN-16	5549 128-00	818-10-040-R	2	430.21-10D47.0	2
818.20-1D055.00S10B	2.00	TXN-16	R818-1016B-TXN-16	5549 128-00	818-10-040-R	2	430.21-10D52.0	2
818.20-1D059.00S11B	2.00	TXN-16	R818-1016B-TXN-16	5549 128-00	818-10-040-R	2	430.21-10D58.0	2
818.20-1D063.00S12B	2.00	TXN-16	R818-1016B-TXN-16	5549 128-00	818-10-040-R	2	430.21-10D58.0	2
818.20-1D065.00S12B	2.00	TXN-25	R818-2024S-TXN-25	5549 128-10	N/A	0	430.32-12D65.0	2
818.20-1D073.00S13B	2.00	TXN-25	R818-2024S-TXN-25	5549 128-10	N/A	0	430.32-12D70.0	2
818.20-1D078.00S14B	5.00	TXN-25	R818-2024S-TXN-25	5549 128-10	818-12-065-S	2	430.32-12D75.0	2
818.20-1D085.00S15B	5.00	TXN-25	R818-2024S-TXN-25	5549 128-10	818-12-065-S	2	430.32-12D85.0	2
818.20-1D110.00S18B	8.00	TXN-40	R818-2532S-TXN-40	5549 128-20	818-16-110-S	2	430.32-16D110.0	2
818.20-1D135.00S20B	8.00	TXN-40	R818-2532S-TXN-40	5549 128-20	818-16-110-S	2	430.32-16D130.0	2
818.20-1D160.00S22B	8.00	TXN-40	R818-2532S-TXN-40	5549 128-20	818-16-110-S	2	430.32-16D160.0	2
818.20-1D185.00S24B	8.00	TXN-40	R818-2532S-TXN-40	5549 128-20	818-16-110-S	2	430.32-16D180.0	2
818.20-1D210.00S26B	8.00	TXN-40	R818-2532S-TXN-40	5549 128-20	818-18-300-R	2	430.21-18D200.0	2
818.20-1D254.00S30B	8.00	TXN-40	R818-2532S-TXN-40	5549 128-20	818-18-300-R	2	430.21-18D250.0	2

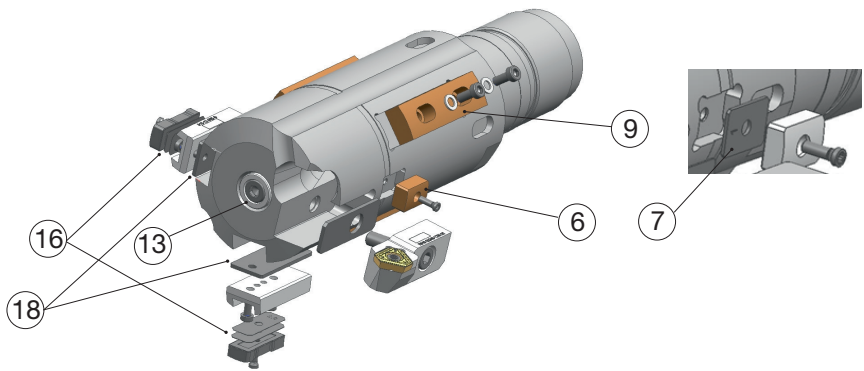
13 Plattenschutz	14 Schraube	23 Schlüssel
5549 029-01	3212 020-259	3021 010-030
5549 029-02	3212 020-309	3021 010-040
5549 029-03	3212 020-360	3021 010-050
5549 029-04	3212 020-410	3021 010-060
5549 029-05	3212 020-462	3021 010-080
5549 029-06	3212 010-513	3021 010-100
5549 029-07	3212 010-564	3021 010-140



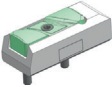


6 Zwischenlage	8 Schraube	21 Schraubendreher
801-142067-S	5513 020-01	5680 046-02
801-202582-S	5513 020-26	5680 046-06



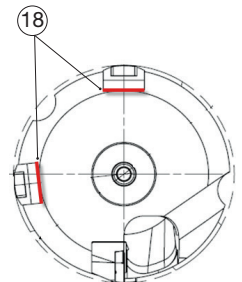
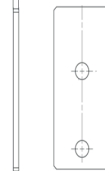




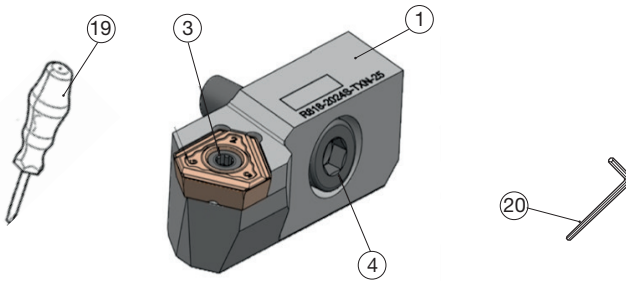
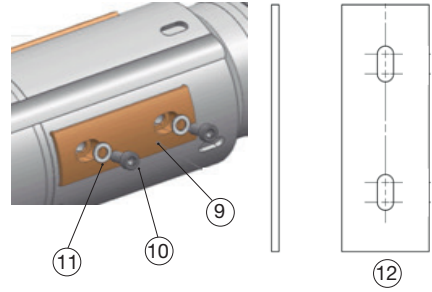
A Leisten (optional)	*)	13 Plattenschutz	16 Führungsleiste Zwischenlagensatz	*)	6 Leisten	*)	7 Sicherheits-Führungsleiste Zwischenlagensatz	*)	9 Kunststoff- rückenführung	*)
800-14D065 PM1	2	5549 029-01	5549 127-20	2	801-142067-S	2	5549 126-90	2	5571 001-06	3
800-16D075 PM1	2	5549 029-03	5549 127-20	2	801-142067-S	1	5549 126-90	1	5571 001-07	3
800-18D085 PM1	2	5549 029-04	5549 127-20	2	801-142067-S	1	5549 126-90	1	5571 001-07	3
800-18D085 PM1	2	5549 029-04	5549 127-20	2	801-142067-S	1	5549 126-90	1	5571 001-08	3
800-20D100 PM1	2	5549 029-04	5549 126-10	2	801-202582-S	1	5549 126-91	1	5571 001-09	3
800-24D120 PM1	2	5549 029-05	5549 126-10	2	801-202582-S	1	5549 126-91	1	5571 001-09	3
N/A	2	5549 029-05	5549 126-10	2	801-202582-S	1	5549 126-91	1	5571 001-10	3
N/A	-	5549 029-06	5549 126-10	2	801-202582-S	1	5549 126-91	1	5571 001-11	3
N/A	-	5549 029-06	5549 126-10	2	801-202582-S	1	5549 126-91	1	5571 001-11	3
N/A	-	5549 029-07	N/A	-	801-202582-S	1	5549 126-91	1	5571 001-12	3
N/A	-	5549 029-07	N/A	-	801-202582-S	1	5549 126-91	1	5571 001-12	3
N/A	-	5549 029-07	N/A	-	801-202582-S	1	5549 126-91	1	5571 001-13	3
N/A	-	5549 029-07	N/A	-	801-202582-S	1	5549 126-91	1	5571 001-13	3
N/A	-	N/A	N/A	-	N/A	-	N/A	-	5571 001-05	3
N/A	-	N/A	N/A	-	N/A	-	N/A	-	5571 001-05	3
N/A	-	N/A	N/A	-	N/A	-	5549 126-90	1	5571 001-05	3
N/A	-	N/A	N/A	-	N/A	-	5549 126-90	1	5571 001-06	3
N/A	-	N/A	N/A	-	801-142067-S	1	5549 126-90	1	5571 001-06	3
N/A	-	N/A	N/A	-	801-142067-S	1	5549 126-90	1	5571 001-06	3
N/A	-	N/A	N/A	-	801-142067-S	1	5549 126-90	1	5571 001-06	3
800-14D065 PM1	2	5549 029-01	5549 127-20	2	801-142067-S	2	5549 126-90	2	5571 001-06	3
800-14D065 PM1	2	5549 029-02	5549 127-20	2	801-142067-S	2	5549 126-90	2	5571 001-07	3
800-16D075 PM1	2	5549 029-03	5549 127-20	2	801-142067-S	1	5549 126-90	1	5571 001-07	3
800-18D085 PM1	2	5549 029-04	5549 127-20	2	801-142067-S	1	5549 126-90	1	5571 001-07	3
800-22D110 PM1	2	5549 029-04	5549 127-10	2	801-202582-S	1	5549 126-91	1	5571 001-09	3
800-26D130 PM1	2	5549 029-05	5549 126-10	2	801-202582-S	1	5549 126-91	1	5571 001-10	3
N/A	-	5549 029-06	5549 126-10	2	801-202582-S	1	5549 126-91	1	5571 001-11	3
N/A	-	5549 029-06	5549 126-10	2	801-202582-S	1	5549 126-91	1	5571 001-11	3
N/A	-	5549 029-07	N/A	-	801-202582-S	1	5549 126-91	1	5571 001-12	3
N/A	-	5549 029-07	N/A	-	801-202582-S	1	5549 126-91	1	5571 001-12	3
N/A	-	5549 029-07	N/A	-	801-202582-S	1	5549 126-91	1	5571 001-13	3

	2 Leisten-Kassetten	18 Zwischenlage	T
	818-12-065-S & 818-12-100-S	5549 127-30	2
		5549 127-31	3
		5549 127-32	5
	818-16-110-S & 818-16-150-S	5549 126-40	2
		5549 126-41	3
		5549 126-42	5
	5549 126-43	8	
	818-08-030-R	5549 126-92	Zwischenlagen-Satz
	818-08-040-R		
	818-10-030-R 818-10-040-R	5549 128-30	Zwischenlagen-Satz
	818-18-300-R	5549 126-79	Zwischenlagen-Satz
		5549 126-80	2
		5549 126-81	3
		5549 126-82	4
		5549 126-88	8

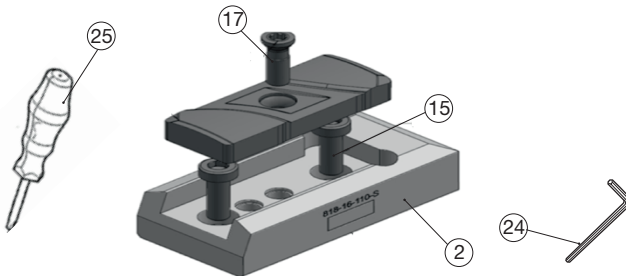
← T



9	10	11	12
Kunststoff- rückenführung	Schraube	Unterlegscheibe	Zwischenlage
5571 001-01	3212 010-105	3411 010-022	5549 126-51
5571 001-02	3212 010-155	3411 010-027	5549 126-52
5571 001-03	3212 010-155	3411 010-027	5549 126-53
5571 001-04	3212 010-205	3411 010-032	5549 126-54
5571 001-05	3212 010-205	3411 010-032	5549 126-55
5571 001-06	3212 010-257	3411 010-043	5549 126-56
5571 001-07	3212 010-308	3411 010-053	5549 126-57
5571 001-08	3212 010-399	3411 010-064	5549 126-58
5571 001-09	3212 010-399	3411 010-064	5549 126-59
5571 001-10	3212 010-409	3411 010-084	5549 126-60
5571 001-11	3212 010-460	3411 010-105	5549 126-61
5571 001-12	3212 010-460	3411 010-105	5549 126-62
5571 001-13	3212 020-511	3411 010-130	5549 126-63
5571 001-14	3212 020-511	3411 010-130	5549 126-64



1	3	19	4	20
Außeneinbauhalter	Wendeplattenschraube	Schraubendreher	Schraube	Schlüssel
R818-1016B-TXN-16	5513 020-02	5680 046-02	3212 010-310	3021 010-040
R818-2024S-TXN-25	5513 020-55	5680 046-06	3212 010-412	3021 010-060
R818-2532S-TXN-40	5513 020-14	5680 046-07	3212 010-464	3021 010-080



2	15	24	17	25
Leisten-Kassetten	Schraube	Schlüssel	Schraube	Schraubendreher
818-08-030-R	148C-831	3021 010-030	5513 030-02	5680 051-02
818-08-040-R	148C-831	3021 010-030	5513 030-02	5680 051-02
818-10-040-R	148C-831	3021 010-030	5513 011-01	5680 051-02
818-12-065-S	3212 020-258	3021 010-030	5513 020-01	5680 046-02
818-12-100-S	3212 020-258	3021 010-030	5513 020-01	5680 046-02
818-16-110-S	3212 020-309	3021 010-040	5513 020-26	5680 046-06
818-16-150-S	3212 020-309	3021 010-040	5513 020-26	5680 046-06
818-18-300-R	3212 010-363	3021 010-050	430.21-820	3021 010-030



Bei weiteren Fragen zu entsprechenden Wendeplatten kontaktieren Sie bitte Ihren Sandvik Coromant Ansprechpartner.

5 Einbauhalter Zwischenlagensatz 5549 128-00			Zwischenlagen
Anz.	Größe		
	mm	Zoll	
1	0.05	0.002	5549 128-19
2	0.1	0.004	5549 128-01
2	0.15	0.006	5549 128-02
1	0.5	0.020	5549 128-03
1	1	0.039	5549 128-04
1	2	0.079	5549 128-05

5 Einbauhalter Zwischenlagensatz 5549 128-10			Zwischenlagen
Anz.	Größe		
	mm	Zoll	
1	0.05	0.002	5549 128-18
2	0.1	0.004	5549 128-11
2	0.15	0.006	5549 128-12
1	0.5	0.02	5549 128-13
1	1	0.039	5549 128-14
1	2	0.079	5549 128-15
1	3	0.118	5549 128-16
1	5	0.197	5549 128-17

5 Einbauhalter Zwischenlagensatz 5549 128-20			Zwischenlagen
Anz.	Größe		
	mm	Zoll	
1	0.05	0.002	5549 128-29
2	0.1	0.004	5549 128-21
2	0.15	0.006	5549 128-22
1	0.5	0.02	5549 128-23
1	1	0.039	5549 128-24
1	2	0.079	5549 128-25
1	3	0.118	5549 128-26
1	5	0.197	5549 128-27
1	8	0.315	5549 128-28

7 Sicherheits-Führungsleiste Zwischenlagensatz 5549 126-90		
Anz.	Größe	
	mm	Zoll
1	0.2	0.008
1	0.5	0.020
1	1	0.039

7 Sicherheits-Führungsleiste Zwischenlagensatz 5549 126-91		
Anz.	Größe	
	mm	Zoll
1	0.2	0.008
1	0.5	0.020
1	1	0.039

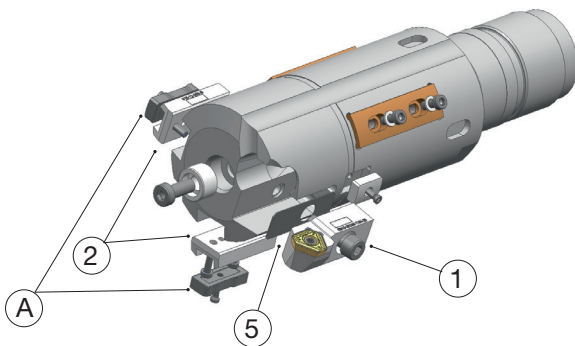
16 Führungsleiste Zwischenlagensatz 5549 126-10			Zwischenlagen
Anz.	Größe		
	mm	Zoll	
3	0.05	0.002	5549 126-07
3	0.1	0.004	5549 126-01
3	0.15	0.006	5549 126-04
3	0.2	0.008	5549 126-02
3	0.3	0.012	5549 126-03
3	2	0.079	5549 126-05
3	2.5	0.098	5549 126-06

16 Führungsleiste Zwischenlagensatz 5549 127-20			Zwischenlagen
Anz.	Größe		
	mm	Zoll	
3	0.05	0.002	5549 127-22
3	0.1	0.004	5549 127-01
3	0.15	0.006	5549 127-21
3	0.2	0.008	5549 127-02
3	0.3	0.012	5549 127-03
3	0.5	0.020	5549 127-04
3	0.75	0.029	5549 127-23
3	1.5	0.059	5549 127-24
3	2	0.079	5549 127-07

18 Zwischenlagen-Satz 5549 126-92 (Leisten-Kassetten 818-08-030/040-R)			Zwischenlagen
Anz.	Größe		
	mm	Zoll	
1	0.05	0.002	5549 126-104
3	0.1	0.004	5549 126-97
3	0.15	0.006	5549 126-98
1	0.5	0.020	5549 126-101
1	1.5	0.059	5549 126-102
1	2	0.079	5549 126-103

18 Zwischenlagen-Satz 5549 128-30 (Leisten-Kassetten 818-10-040-R)			Zwischenlagen
Anz.	Größe		
	mm	Zoll	
1	0.05	0.002	5549 128-36
3	0.1	0.004	5549 128-31
3	0.15	0.006	5549 128-32
1	0.5	0.020	5549 128-33
1	1	0.039	5549 128-34
1	2	0.079	5549 128-35

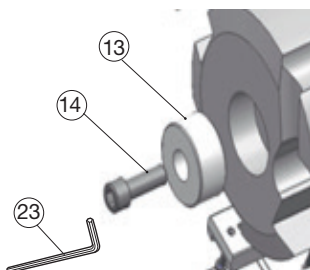
18 Zwischenlagen-Satz 5549 126-79 (Leisten-Kassetten 818-18-300-R)			Zwischenlagen
Anz.	Größe		
	mm	Zoll	
1	0.05	0.002	5549 126-87
3	0.1	0.004	5549 126-86
3	0.15	0.006	5549 126-85
1	0.5	0.020	5549 126-84
1	1	0.039	5549 126-83



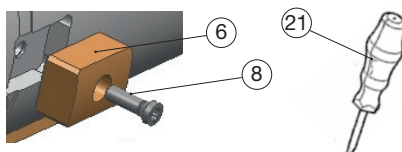
\*) Quantità da ordinare \*\*) Regolazione radiale

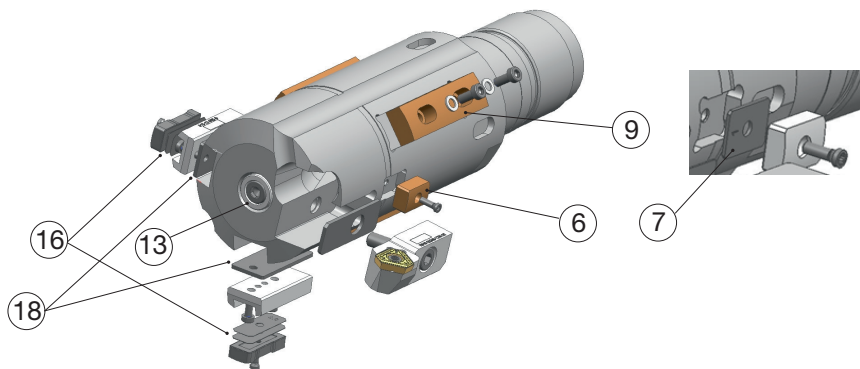
Codice di ordinazione Punta	**) mm (pollici)	Misura inserto	1 Cartuccia periferica	5 Set di supporti per cartuccia	2 Portapattini di supporto	*)	A Pattini	*)
A818.20-1D02.750S13B	(0.079)	TXN-25	R818-2024S-TXN-25	5549 128-10	N/A	0	430.32-12D65.0	2
A818.20-1D03.000S14B	(0.197)	TXN-25	R818-2024S-TXN-25	5549 128-10	818-12-065-S	2	430.32-12D75.0	2
A818.20-1D03.500S15B	(0.197)	TXN-25	R818-2024S-TXN-25	5549 128-10	818-12-065-S	2	430.32-12D85.0	2
A818.20-1D03.750S16B	(0.197)	TXN-40	R818-2532S-TXN-40	5549 128-20	818-12-065-S	2	430.32-12D95.0	2
A818.20-1D04.000S17B	(0.315)	TXN-40	R818-2532S-TXN-40	5549 128-20	818-16-110-S	2	430.32-16D100.0	2
A818.20-1D04.750S19B	(0.315)	TXN-40	R818-2532S-TXN-40	5549 128-20	818-16-110-S	2	430.32-16D120.0	2
A818.20-1D05.750S21B	(0.315)	TXN-40	R818-2532S-TXN-40	5549 128-20	818-16-110-S	2	430.32-16D140.0	2
A818.20-1D06.750S23B	(0.315)	TXN-40	R818-2532S-TXN-40	5549 128-20	818-16-110-S	2	430.32-16D170.0	2
A818.20-1D07.750S25B	(0.315)	TXN-40	R818-2532S-TXN-40	5549 128-20	818-16-110-S	2	430.32-16D180.0	2
A818.20-1D08.750S27B	(0.315)	TXN-40	R818-2532S-TXN-40	5549 128-20	818-18-300-R	2	430.21-18D200.0	2
A818.20-1D09.375S28B	(0.315)	TXN-40	R818-2532S-TXN-40	5549 128-20	818-18-300-R	2	430.21-18D225.0	2
A818.20-1D10.625S30B	(0.315)	TXN-40	R818-2532S-TXN-40	5549 128-20	818-18-300-R	2	430.21-18D250.0	2
A818.20-1D11.250S32B	(0.315)	TXN-40	R818-2532S-TXN-40	5549 128-20	818-18-300-R	2	430.21-18D250.0	2
818.20-1D04.00S08B	1.50	TXN-16	R818-1016B-TXN-16	5549 128-00	818-08-030-R	2	430.21-08D38.0	2
818.20-1D04.00S08B	2.00	TXN-16	R818-1016B-TXN-16	5549 128-00	818-08-040-R	2	430.21-08D38.0	2
818.20-1D04.70S09B	2.00	TXN-16	R818-1016B-TXN-16	5549 128-00	818-10-040-R	2	430.21-10D47.0	2
818.20-1D05.10S10B	2.00	TXN-16	R818-1016B-TXN-16	5549 128-00	818-10-040-R	2	430.21-10D47.0	2
818.20-1D05.50S10B	2.00	TXN-16	R818-1016B-TXN-16	5549 128-00	818-10-040-R	2	430.21-10D52.0	2
818.20-1D05.90S11B	2.00	TXN-16	R818-1016B-TXN-16	5549 128-00	818-10-040-R	2	430.21-10D58.0	2
818.20-1D06.30S12B	2.00	TXN-16	R818-1016B-TXN-16	5549 128-00	818-10-040-R	2	430.21-10D58.0	2
818.20-1D06.50S12B	2.00	TXN-25	R818-2024S-TXN-25	5549 128-10	N/A	0	430.32-12D65.0	2
818.20-1D07.30S13B	2.00	TXN-25	R818-2024S-TXN-25	5549 128-10	N/A	0	430.32-12D75.0	2
818.20-1D07.80S14B	5.00	TXN-25	R818-2024S-TXN-25	5549 128-10	818-12-065-S	2	430.32-12D75.0	2
818.20-1D08.50S15B	5.00	TXN-25	R818-2024S-TXN-25	5549 128-10	818-12-065-S	2	430.32-12D85.0	2
818.20-1D11.00S18B	8.00	TXN-40	R818-2532S-TXN-40	5549 128-20	818-16-110-S	2	430.32-16D110.0	2
818.20-1D13.50S20B	8.00	TXN-40	R818-2532S-TXN-40	5549 128-20	818-16-110-S	2	430.32-16D130.0	2
818.20-1D16.00S22B	8.00	TXN-40	R818-2532S-TXN-40	5549 128-20	818-16-110-S	2	430.32-16D160.0	2
818.20-1D18.50S24B	8.00	TXN-40	R818-2532S-TXN-40	5549 128-20	818-16-110-S	2	430.32-16D180.0	2
818.20-1D21.00S26B	8.00	TXN-40	R818-2532S-TXN-40	5549 128-20	818-18-300-R	2	430.21-18D200.0	2
818.20-1D25.40S30B	8.00	TXN-40	R818-2532S-TXN-40	5549 128-20	818-18-300-R	2	430.21-18D250.0	2

13 Bussola di protezione sede	14 Vite	23 Chiave
5549 029-01	3212 020-259	3021 010-030
5549 029-02	3212 020-309	3021 010-040
5549 029-03	3212 020-360	3021 010-050
5549 029-04	3212 020-410	3021 010-060
5549 029-05	3212 020-462	3021 010-080
5549 029-06	3212 010-513	3021 010-100
5549 029-07	3212 010-564	3021 010-140

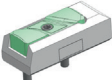




6 Pattino	8 Vite	21 Cacciavite
801-142067-S	5513 020-01	5680 046-02
801-202582-S	5513 020-26	5680 046-06

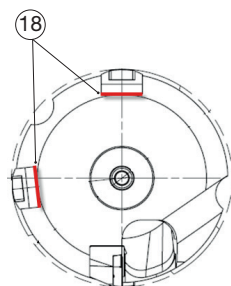
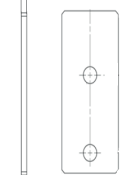




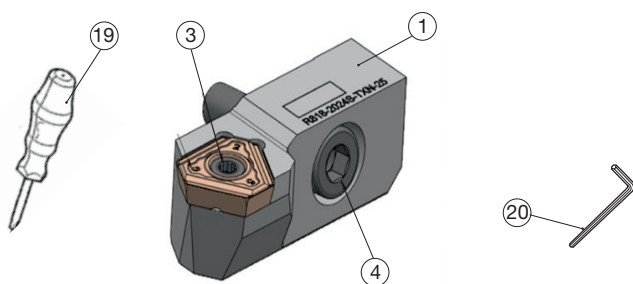
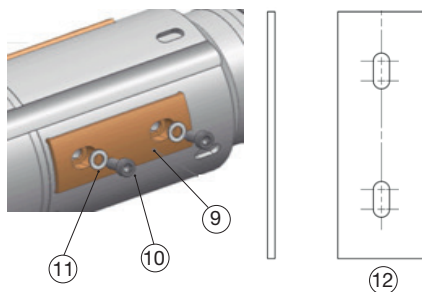
A	*)	13	16	*)	6	*)	7	*)	9	*)
Pattini (opzionali)		Bussola di protezione sede	Set di supporti per pattino		Pattino		Set di supporti per pattino di sicurezza		Pattino in fibra grezzo	
800-14D065 PM1	2	5549 029-01	5549 127-20	2	801-142067-S	2	5549 126-90	2	5571 001-06	3
800-16D075 PM1	2	5549 029-03	5549 127-20	2	801-142067-S	1	5549 126-90	1	5571 001-07	3
800-18D085 PM1	2	5549 029-04	5549 127-20	2	801-142067-S	1	5549 126-90	1	5571 001-07	3
800-18D085 PM1	2	5549 029-04	5549 127-20	2	801-142067-S	1	5549 126-90	1	5571 001-08	3
800-20D100 PM1	2	5549 029-04	5549 126-10	2	801-202582-S	1	5549 126-91	1	5571 001-09	3
800-24D120 PM1	2	5549 029-05	5549 126-10	2	801-202582-S	1	5549 126-91	1	5571 001-09	3
N/A	2	5549 029-05	5549 126-10	2	801-202582-S	1	5549 126-91	1	5571 001-10	3
N/A	-	5549 029-06	5549 126-10	2	801-202582-S	1	5549 126-91	1	5571 001-11	3
N/A	-	5549 029-06	5549 126-10	2	801-202582-S	1	5549 126-91	1	5571 001-11	3
N/A	-	5549 029-07	N/A	-	801-202582-S	1	5549 126-91	1	5571 001-12	3
N/A	-	5549 029-07	N/A	-	801-202582-S	1	5549 126-91	1	5571 001-12	3
N/A	-	5549 029-07	N/A	-	801-202582-S	1	5549 126-91	1	5571 001-13	3
N/A	-	5549 029-07	N/A	-	801-202582-S	1	5549 126-91	1	5571 001-13	3
N/A	-	N/A	N/A	-	N/A	-	N/A	-	5571 001-05	3
N/A	-	N/A	N/A	-	N/A	-	N/A	-	5571 001-05	3
N/A	-	N/A	N/A	-	N/A	-	5549 126-90	1	5571 001-05	3
N/A	-	N/A	N/A	-	N/A	-	5549 126-90	1	5571 001-06	3
N/A	-	N/A	N/A	-	801-142067-S	1	5549 126-90	1	5571 001-06	3
N/A	-	N/A	N/A	-	801-142067-S	1	5549 126-90	1	5571 001-06	3
N/A	-	N/A	N/A	-	801-142067-S	1	5549 126-90	1	5571 001-06	3
800-14D065 PM1	2	5549 029-01	5549 127-20	2	801-142067-S	2	5549 126-90	2	5571 001-06	3
800-14D065 PM1	2	5549 029-02	5549 127-20	2	801-142067-S	2	5549 126-90	2	5571 001-07	3
800-16D075 PM1	2	5549 029-03	5549 127-20	2	801-142067-S	1	5549 126-90	1	5571 001-07	3
800-18D085 PM1	2	5549 029-04	5549 127-20	2	801-142067-S	1	5549 126-90	1	5571 001-07	3
800-22D110 PM1	2	5549 029-04	5549 127-10	2	801-202582-S	1	5549 126-91	1	5571 001-09	3
800-26D130 PM1	2	5549 029-05	5549 126-10	2	801-202582-S	1	5549 126-91	1	5571 001-10	3
N/A	-	5549 029-06	5549 126-10	2	801-202582-S	1	5549 126-91	1	5571 001-11	3
N/A	-	5549 029-06	5549 126-10	2	801-202582-S	1	5549 126-91	1	5571 001-11	3
N/A	-	5549 029-07	N/A	-	801-202582-S	1	5549 126-91	1	5571 001-12	3
N/A	-	5549 029-07	N/A	-	801-202582-S	1	5549 126-91	1	5571 001-13	3

	2	18	T
	Portapattini di supporto	Supporto	
	818-12-065-S & 818-12-100-S	5549 127-30	2
		5549 127-31	3
		5549 127-32	5
	818-16-110-S & 818-16-150-S	5549 126-40	2
		5549 126-41	3
		5549 126-42	5
5549 126-43		8	
	818-08-030-R	5549 126-92	Set di supporti
	818-08-040-R		
	818-10-030-R		
	818-10-040-R		
	818-18-300-R	5549 126-79	Set di supporti
		5549 126-80	2
		5549 126-81	3
		5549 126-82	4
		5549 126-88	8

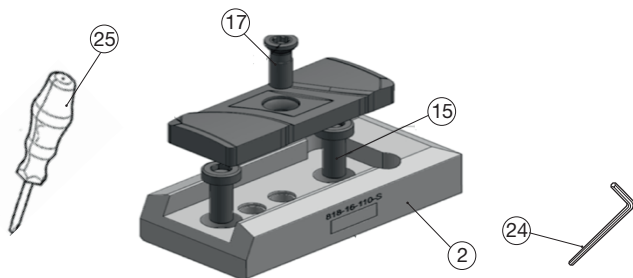
← T



9	10	11	12
Pattino in fibra grezzo	Vite	Rondella	Supporto
5571 001-01	3212 010-105	3411 010-022	5549 126-51
5571 001-02	3212 010-155	3411 010-027	5549 126-52
5571 001-03	3212 010-155	3411 010-027	5549 126-53
5571 001-04	3212 010-205	3411 010-032	5549 126-54
5571 001-05	3212 010-205	3411 010-032	5549 126-55
5571 001-06	3212 010-257	3411 010-043	5549 126-56
5571 001-07	3212 010-308	3411 010-053	5549 126-57
5571 001-08	3212 010-399	3411 010-064	5549 126-58
5571 001-09	3212 010-399	3411 010-064	5549 126-59
5571 001-10	3212 010-409	3411 010-084	5549 126-60
5571 001-11	3212 010-460	3411 010-105	5549 126-61
5571 001-12	3212 010-460	3411 010-105	5549 126-62
5571 001-13	3212 020-511	3411 010-130	5549 126-63
5571 001-14	3212 020-511	3411 010-130	5549 126-64



1	3	19	4	20
Cartuccia periferica	Vite dell'inserto	Cacciavite	Vite	Chiave
R818-1016B-TXN-16	5513 020-02	5680 046-02	3212 010-310	3021 010-040
R818-2024S-TXN-25	5513 020-55	5680 046-06	3212 010-412	3021 010-060
R818-2532S-TXN-40	5513 020-14	5680 046-07	3212 010-464	3021 010-080



2	15	24	17	25
Portapattini di supporto	Vite	Chiave	Vite	Cacciavite
818-08-030-R	148C-831	3021 010-030	5513 030-02	5680 051-02
818-08-040-R	148C-831	3021 010-030	5513 030-02	5680 051-02
818-10-040-R	148C-831	3021 010-030	5513 011-01	5680 051-02
818-12-065-S	3212 020-258	3021 010-030	5513 020-01	5680 046-02
818-12-100-S	3212 020-258	3021 010-030	5513 020-01	5680 046-02
818-16-110-S	3212 020-309	3021 010-040	5513 020-26	5680 046-06
818-16-150-S	3212 020-309	3021 010-040	5513 020-26	5680 046-06
818-18-300-R	3212 010-363	3021 010-050	430.21-820	3021 010-030



Contattare il tecnico di vendita locale di Sandvik Coromant per ulteriori informazioni riguardanti gli inserti appropriati.

5 Set di supporti per cartuccia 5549 128-00			Spessori singoli
Pezzi	Dimensioni		
	mm	Pollici	
1	0.05	0.002	5549 128-19
2	0.1	0.004	5549 128-01
2	0.15	0.006	5549 128-02
1	0.5	0.020	5549 128-03
1	1	0.039	5549 128-04
1	2	0.079	5549 128-05

5 Set di supporti per cartuccia 5549 128-10			Spessori singoli
Pezzi	Dimensioni		
	mm	Pollici	
1	0.05	0.002	5549 128-18
2	0.1	0.004	5549 128-11
2	0.15	0.006	5549 128-12
1	0.5	0.02	5549 128-13
1	1	0.039	5549 128-14
1	2	0.079	5549 128-15
1	3	0.118	5549 128-16
1	5	0.197	5549 128-17

5 Set di supporti per cartuccia 5549 128-20			Spessori singoli
Pezzi	Dimensioni		
	mm	Pollici	
1	0.05	0.002	5549 128-29
2	0.1	0.004	5549 128-21
2	0.15	0.006	5549 128-22
1	0.5	0.02	5549 128-23
1	1	0.039	5549 128-24
1	2	0.079	5549 128-25
1	3	0.118	5549 128-26
1	5	0.197	5549 128-27
1	8	0.315	5549 128-28

7 Set di supporti per pattino di sicurezza 5549 126-90		
Pezzi	Dimensioni	
	mm	Pollici
1	0.2	0.008
1	0.5	0.020
1	1	0.039

7 Set di supporti per pattino di sicurezza 5549 126-91		
Pezzi	Dimensioni	
	mm	Pollici
1	0.2	0.008
1	0.5	0.020
1	1	0.039

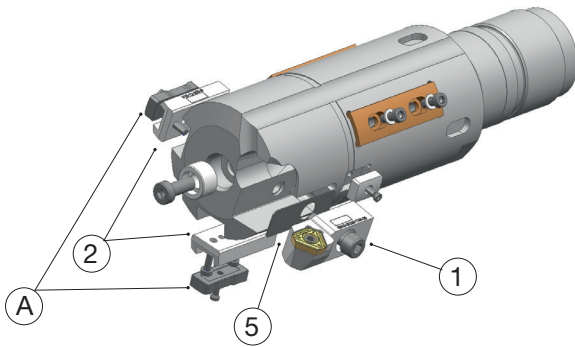
16 Set di supporti per pattino 5549 126-10			Spessori singoli
Pezzi	Dimensioni		
	mm	Pollici	
3	0.05	0.002	5549 126-07
3	0.1	0.004	5549 126-01
3	0.15	0.006	5549 126-04
3	0.2	0.008	5549 126-02
3	0.3	0.012	5549 126-03
3	2	0.079	5549 126-05
3	2.5	0.098	5549 126-06

16 Set di supporti per pattino 5549 127-20			Spessori singoli
Pezzi	Dimensioni		
	mm	Pollici	
3	0.05	0.002	5549 127-22
3	0.1	0.004	5549 127-01
3	0.15	0.006	5549 127-21
3	0.2	0.008	5549 127-02
3	0.3	0.012	5549 127-03
3	0.5	0.020	5549 127-04
3	0.75	0.029	5549 127-23
3	1.5	0.059	5549 127-24
3	2	0.079	5549 127-07

18 Set di supporti 5549 126-92 (Portapattini di supporto 818-08-030/040-R)			Spessori singoli
Pezzi	Dimensioni		
	mm	Pollici	
1	0.05	0.002	5549 126-104
3	0.1	0.004	5549 126-97
3	0.15	0.006	5549 126-98
1	0.5	0.020	5549 126-101
1	1.5	0.059	5549 126-102
1	2	0.079	5549 126-103

18 Set di supporti 5549 128-30 (Portapattini di supporto 818-10-040-R)			Spessori singoli
Pezzi	Dimensioni		
	mm	Pollici	
1	0.05	0.002	5549 128-36
3	0.1	0.004	5549 128-31
3	0.15	0.006	5549 128-32
1	0.5	0.020	5549 128-33
1	1	0.039	5549 128-34
1	2	0.079	5549 128-35

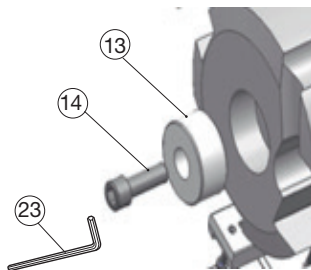
18 Set di supporti 5549 126-79 (Portapattini di supporto 818-18-300-R)			Spessori singoli
Pezzi	Dimensioni		
	mm	Pollici	
1	0.05	0.002	5549 126-87
3	0.1	0.004	5549 126-86
3	0.15	0.006	5549 126-85
1	0.5	0.020	5549 126-84
1	1	0.039	5549 126-83



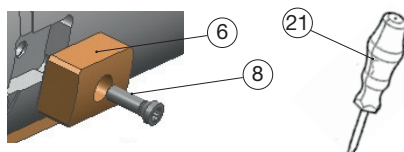
\*) 必要数 \*\*) シムによる径調整

型番 ドリルヘッド	**) mm (inch)	チップサイズ	1 外周カートリッジ	5 カートリッジシムセット	2 パッドシューズ	*) A パッド	*)	
A818.20-1D02.750S13B	(0.079)	TXN-25	R818-2024S-TXN-25	5549 128-10	N/A	0	430.32-12D65.0	2
A818.20-1D03.000S14B	(0.197)	TXN-25	R818-2024S-TXN-25	5549 128-10	818-12-065-S	2	430.32-12D75.0	2
A818.20-1D03.500S15B	(0.197)	TXN-25	R818-2024S-TXN-25	5549 128-10	818-12-065-S	2	430.32-12D85.0	2
A818.20-1D03.750S16B	(0.197)	TXN-40	R818-2532S-TXN-40	5549 128-20	818-12-065-S	2	430.32-12D95.0	2
A818.20-1D04.000S17B	(0.315)	TXN-40	R818-2532S-TXN-40	5549 128-20	818-16-110-S	2	430.32-16D100.0	2
A818.20-1D04.750S19B	(0.315)	TXN-40	R818-2532S-TXN-40	5549 128-20	818-16-110-S	2	430.32-16D120.0	2
A818.20-1D05.750S21B	(0.315)	TXN-40	R818-2532S-TXN-40	5549 128-20	818-16-110-S	2	430.32-16D140.0	2
A818.20-1D06.750S23B	(0.315)	TXN-40	R818-2532S-TXN-40	5549 128-20	818-16-110-S	2	430.32-16D170.0	2
A818.20-1D07.750S25B	(0.315)	TXN-40	R818-2532S-TXN-40	5549 128-20	818-16-110-S	2	430.32-16D180.0	2
A818.20-1D08.750S27B	(0.315)	TXN-40	R818-2532S-TXN-40	5549 128-20	818-18-300-R	2	430.21-18D200.0	2
A818.20-1D09.375S28B	(0.315)	TXN-40	R818-2532S-TXN-40	5549 128-20	818-18-300-R	2	430.21-18D225.0	2
A818.20-1D10.625S30B	(0.315)	TXN-40	R818-2532S-TXN-40	5549 128-20	818-18-300-R	2	430.21-18D250.0	2
A818.20-1D11.250S32B	(0.315)	TXN-40	R818-2532S-TXN-40	5549 128-20	818-18-300-R	2	430.21-18D250.0	2
818.20-1D04.00S08B	1.50	TXN-16	R818-1016B-TXN-16	5549 128-00	818-08-030-R	2	430.21-08D38.0	2
818.20-1D04.300S08B	2.00	TXN-16	R818-1016B-TXN-16	5549 128-00	818-08-040-R	2	430.21-08D38.0	2
818.20-1D04.700S09B	2.00	TXN-16	R818-1016B-TXN-16	5549 128-00	818-10-040-R	2	430.21-10D47.0	2
818.20-1D05.100S10B	2.00	TXN-16	R818-1016B-TXN-16	5549 128-00	818-10-040-R	2	430.21-10D47.0	2
818.20-1D05.500S10B	2.00	TXN-16	R818-1016B-TXN-16	5549 128-00	818-10-040-R	2	430.21-10D52.0	2
818.20-1D05.900S11B	2.00	TXN-16	R818-1016B-TXN-16	5549 128-00	818-10-040-R	2	430.21-10D58.0	2
818.20-1D06.300S12B	2.00	TXN-16	R818-1016B-TXN-16	5549 128-00	818-10-040-R	2	430.21-10D58.0	2
818.20-1D06.600S12B	2.00	TXN-25	R818-2024S-TXN-25	5549 128-10	N/A	0	430.32-12D65.0	2
818.20-1D07.300S13B	2.00	TXN-25	R818-2024S-TXN-25	5549 128-10	N/A	0	430.32-12D70.0	2
818.20-1D07.800S14B	5.00	TXN-25	R818-2024S-TXN-25	5549 128-10	818-12-065-S	2	430.32-12D75.0	2
818.20-1D08.500S15B	5.00	TXN-25	R818-2024S-TXN-25	5549 128-10	818-12-065-S	2	430.32-12D85.0	2
818.20-1D11.000S18B	8.00	TXN-40	R818-2532S-TXN-40	5549 128-20	818-16-110-S	2	430.32-16D110.0	2
818.20-1D13.500S20B	8.00	TXN-40	R818-2532S-TXN-40	5549 128-20	818-16-110-S	2	430.32-16D130.0	2
818.20-1D16.000S22B	8.00	TXN-40	R818-2532S-TXN-40	5549 128-20	818-16-110-S	2	430.32-16D160.0	2
818.20-1D18.500S24B	8.00	TXN-40	R818-2532S-TXN-40	5549 128-20	818-16-110-S	2	430.32-16D180.0	2
818.20-1D21.000S26B	8.00	TXN-40	R818-2532S-TXN-40	5549 128-20	818-18-300-R	2	430.21-18D200.0	2
818.20-1D25.400S30B	8.00	TXN-40	R818-2532S-TXN-40	5549 128-20	818-18-300-R	2	430.21-18D250.0	2

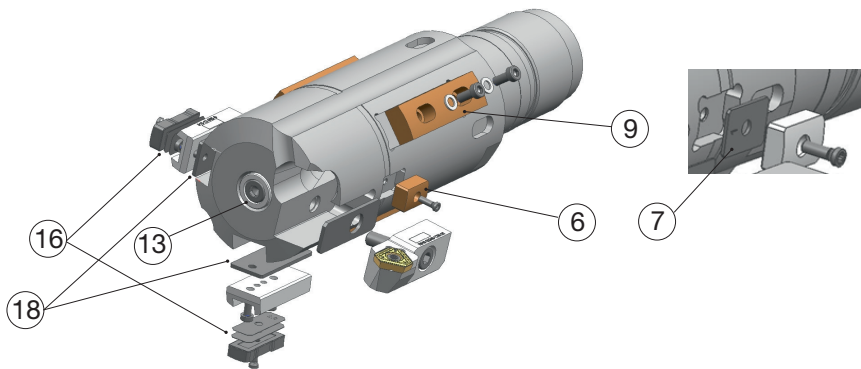
13 シートプロテクション プレート	14 スクリュー	23 レンチ
5549 029-01	3212 020-259	3021 010-030
5549 029-02	3212 020-309	3021 010-040
5549 029-03	3212 020-360	3021 010-050
5549 029-04	3212 020-410	3021 010-060
5549 029-05	3212 020-462	3021 010-080
5549 029-06	3212 010-513	3021 010-100
5549 029-07	3212 010-564	3021 010-140



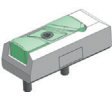


6 パッド	8 スクリュー	21 レンチ
801-142067-S	5513 020-01	5680 046-02
801-202582-S	5513 020-26	5680 046-06

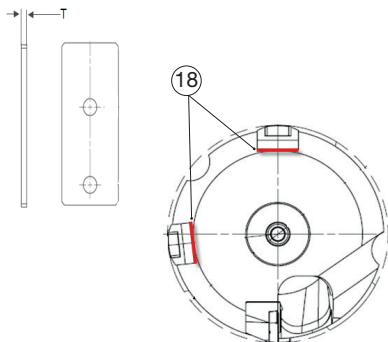




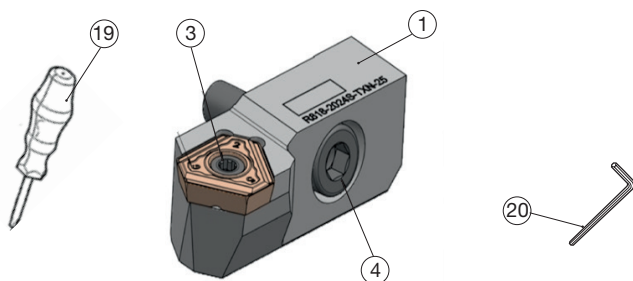
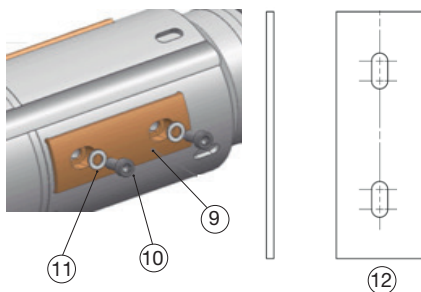


A パッド (オプション)	*)	13 シートプロテ クション プレート	16 パッドシムセ ット	*)	6 パッド	*)	7 セーフティパッドシム セット	*)	9 ファイバーパッド ブランク	*)
800-14D065 PM1	2	5549 029-01	5549 127-20	2	801-142067-S	2	5549 126-90	2	5571 001-06	3
800-16D075 PM1	2	5549 029-03	5549 127-20	2	801-142067-S	1	5549 126-90	1	5571 001-07	3
800-18D085 PM1	2	5549 029-04	5549 127-20	2	801-142067-S	1	5549 126-90	1	5571 001-07	3
800-18D085 PM1	2	5549 029-04	5549 127-20	2	801-142067-S	1	5549 126-90	1	5571 001-08	3
800-20D100 PM1	2	5549 029-04	5549 126-10	2	801-202582-S	1	5549 126-91	1	5571 001-09	3
800-24D120 PM1	2	5549 029-05	5549 126-10	2	801-202582-S	1	5549 126-91	1	5571 001-09	3
N/A	2	5549 029-05	5549 126-10	2	801-202582-S	1	5549 126-91	1	5571 001-10	3
N/A	-	5549 029-06	5549 126-10	2	801-202582-S	1	5549 126-91	1	5571 001-11	3
N/A	-	5549 029-06	5549 126-10	2	801-202582-S	1	5549 126-91	1	5571 001-11	3
N/A	-	5549 029-07	N/A	-	801-202582-S	1	5549 126-91	1	5571 001-12	3
N/A	-	5549 029-07	N/A	-	801-202582-S	1	5549 126-91	1	5571 001-12	3
N/A	-	5549 029-07	N/A	-	801-202582-S	1	5549 126-91	1	5571 001-13	3
N/A	-	5549 029-07	N/A	-	801-202582-S	1	5549 126-91	1	5571 001-13	3
N/A	-	N/A	N/A	-	N/A	-	N/A	-	5571 001-05	3
N/A	-	N/A	N/A	-	N/A	-	N/A	-	5571 001-05	3
N/A	-	N/A	N/A	-	N/A	-	5549 126-90	1	5571 001-05	3
N/A	-	N/A	N/A	-	N/A	-	5549 126-90	1	5571 001-06	3
N/A	-	N/A	N/A	-	801-142067-S	1	5549 126-90	1	5571 001-06	3
N/A	-	N/A	N/A	-	801-142067-S	1	5549 126-90	1	5571 001-06	3
N/A	-	N/A	N/A	-	801-142067-S	1	5549 126-90	1	5571 001-06	3
800-14D065 PM1	2	5549 029-01	5549 127-20	2	801-142067-S	2	5549 126-90	2	5571 001-06	3
800-14D065 PM1	2	5549 029-02	5549 127-20	2	801-142067-S	2	5549 126-90	2	5571 001-07	3
800-16D075 PM1	2	5549 029-03	5549 127-20	2	801-142067-S	1	5549 126-90	1	5571 001-07	3
800-18D085 PM1	2	5549 029-04	5549 127-20	2	801-142067-S	1	5549 126-90	1	5571 001-07	3
800-18D085 PM1	2	5549 029-04	5549 127-20	2	801-202582-S	1	5549 126-91	1	5571 001-09	3
800-22D110 PM1	2	5549 029-04	5549 127-10	2	801-202582-S	1	5549 126-91	1	5571 001-09	3
800-26D130 PM1	2	5549 029-05	5549 126-10	2	801-202582-S	1	5549 126-91	1	5571 001-10	3
N/A	-	5549 029-06	5549 126-10	2	801-202582-S	1	5549 126-91	1	5571 001-11	3
N/A	-	5549 029-06	5549 126-10	2	801-202582-S	1	5549 126-91	1	5571 001-11	3
N/A	-	5549 029-07	N/A	-	801-202582-S	1	5549 126-91	1	5571 001-12	3
N/A	-	5549 029-07	N/A	-	801-202582-S	1	5549 126-91	1	5571 001-13	3

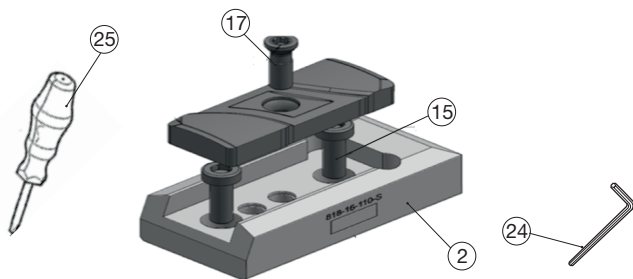
	2 パッドシューズ	18 シム	T
	818-12-065-S & 818-12-100-S	5549 127-30	2
		5549 127-31	3
		5549 127-32	5
	818-16-110-S & 818-16-150-S	5549 126-40	2
		5549 126-41	3
		5549 126-42	5
		5549 126-43	8
	818-08-030-R	5549 126-92	シムセット
	818-10-030-R		
	818-10-040-R	5549 128-30	シムセット
	818-18-300-R	5549 126-79	シムセット
		5549 126-80	2
		5549 126-81	3
		5549 126-82	4
		5549 126-88	8



9 ファイバーパッドブランク	10 スクリュー	11 ワッシャー	12 シム
5571 001-01	3212 010-105	3411 010-022	5549 126-51
5571 001-02	3212 010-155	3411 010-027	5549 126-52
5571 001-03	3212 010-155	3411 010-027	5549 126-53
5571 001-04	3212 010-205	3411 010-032	5549 126-54
5571 001-05	3212 010-205	3411 010-032	5549 126-55
5571 001-06	3212 010-257	3411 010-043	5549 126-56
5571 001-07	3212 010-308	3411 010-053	5549 126-57
5571 001-08	3212 010-399	3411 010-064	5549 126-58
5571 001-09	3212 010-399	3411 010-064	5549 126-59
5571 001-10	3212 010-409	3411 010-084	5549 126-60
5571 001-11	3212 010-460	3411 010-105	5549 126-61
5571 001-12	3212 010-460	3411 010-105	5549 126-62
5571 001-13	3212 020-511	3411 010-130	5549 126-63
5571 001-14	3212 020-511	3411 010-130	5549 126-64



1 外周カートリッジ	3 チップスクリュー	19 レンチ	4 スクリュー	20 レンチ
R818-1016B-TXN-16	5513 020-02	5680 046-02	3212 010-310	3021 010-040
R818-2024S-TXN-25	5513 020-55	5680 046-06	3212 010-412	3021 010-060
R818-2532S-TXN-40	5513 020-14	5680 046-07	3212 010-464	3021 010-080



2 パッドシューズ	15 スクリュー	24 レンチ	17 スクリュー	25 レンチ
818-08-030-R	148C-831	3021 010-030	5513 030-02	5680 051-02
818-08-040-R	148C-831	3021 010-030	5513 030-02	5680 051-02
818-10-040-R	148C-831	3021 010-030	5513 011-01	5680 051-02
818-12-065-S	3212 020-258	3021 010-030	5513 020-01	5680 046-02
818-12-100-S	3212 020-258	3021 010-030	5513 020-01	5680 046-02
818-16-110-S	3212 020-309	3021 010-040	5513 020-26	5680 046-06
818-16-150-S	3212 020-309	3021 010-040	5513 020-26	5680 046-06
818-18-300-R	3212 010-363	3021 010-050	430.21-820	3021 010-030



チップに関する詳細は、最寄のサンドビック・コロマント営業所にお問い合わせください。

5 カートリッジシムセット 5549 128-00			シム単品
個数	サイズ		
	mm	Inch	
1	0.05	0.002	5549 128-19
2	0.1	0.004	5549 128-01
2	0.15	0.006	5549 128-02
1	0.5	0.020	5549 128-03
1	1	0.039	5549 128-04
1	2	0.079	5549 128-05

5 カートリッジシムセット 5549 128-10			シム単品
個数	サイズ		
	mm	Inch	
1	0.05	0.002	5549 128-18
2	0.1	0.004	5549 128-11
2	0.15	0.006	5549 128-12
1	0.5	0.02	5549 128-13
1	1	0.039	5549 128-14
1	2	0.079	5549 128-15
1	3	0.118	5549 128-16
1	5	0.197	5549 128-17

5 カートリッジシムセット 5549 128-20			シム単品
個数	サイズ		
	mm	Inch	
1	0.05	0.002	5549 128-29
2	0.1	0.004	5549 128-21
2	0.15	0.006	5549 128-22
1	0.5	0.02	5549 128-23
1	1	0.039	5549 128-24
1	2	0.079	5549 128-25
1	3	0.118	5549 128-26
1	5	0.197	5549 128-27
1	8	0.315	5549 128-28

7 セーフティパッドシムセット 5549 126-90		
個数	サイズ	
	mm	Inch
1	0.2	0.008
1	0.5	0.020
1	1	0.039

7 セーフティパッドシムセット 5549 126-91		
個数	サイズ	
	mm	Inch
1	0.2	0.008
1	0.5	0.020
1	1	0.039

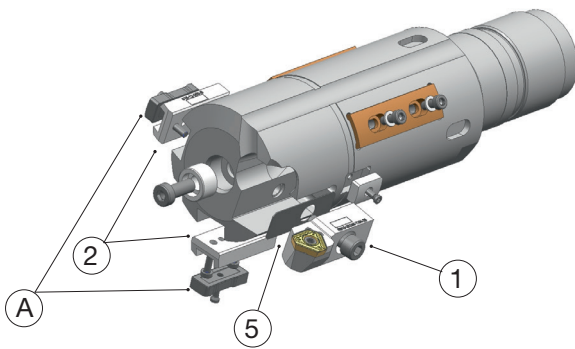
16 パッドシムセット 5549 126-10			シム単品
個数	サイズ		
	mm	Inch	
3	0.05	0.002	5549 126-07
3	0.1	0.004	5549 126-01
3	0.15	0.006	5549 126-04
3	0.2	0.008	5549 126-02
3	0.3	0.012	5549 126-03
3	2	0.079	5549 126-05
3	2.5	0.098	5549 126-06

16 パッドシムセット 5549 127-20			シム単品
個数	サイズ		
	mm	Inch	
3	0.05	0.002	5549 127-22
3	0.1	0.004	5549 127-01
3	0.15	0.006	5549 127-21
3	0.2	0.008	5549 127-02
3	0.3	0.012	5549 127-03
3	0.5	0.020	5549 127-04
3	0.75	0.029	5549 127-23
3	1.5	0.059	5549 127-24
3	2	0.079	5549 127-07

18 シムセット 5549 126-92 (パッドシューズ 818-08-030/040-R)			シム単品
個数	サイズ		
	mm	Inch	
1	0.05	0.002	5549 126-104
3	0.1	0.004	5549 126-97
3	0.15	0.006	5549 126-98
1	0.5	0.020	5549 126-101
1	1.5	0.059	5549 126-102
1	2	0.079	5549 126-103

18 シムセット 5549 128-30 (パッドシューズ 818-10-040-R)			シム単品
個数	サイズ		
	mm	Inch	
1	0.05	0.002	5549 128-36
3	0.1	0.004	5549 128-31
3	0.15	0.006	5549 128-32
1	0.5	0.020	5549 128-33
1	1	0.039	5549 128-34
1	2	0.079	5549 128-35

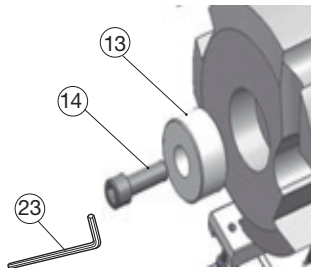
18 シムセット 5549 126-79 (パッドシューズ 818-18-300-R)			シム単品
個数	サイズ		
	mm	Inch	
1	0.05	0.002	5549 126-87
3	0.1	0.004	5549 126-86
3	0.15	0.006	5549 126-85
1	0.5	0.020	5549 126-84
1	1	0.039	5549 126-83



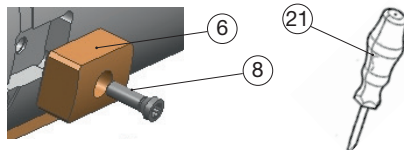
\*) Quantidade para solicitação \*\*) Ajuste radial

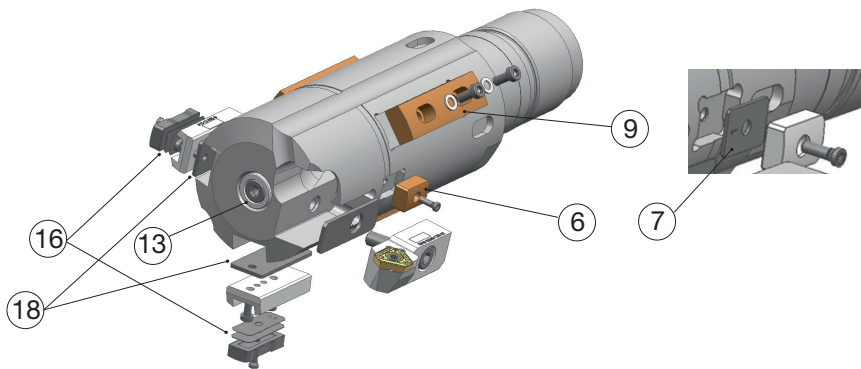
Código para pedido Cabeça de broca	**) mm (pol.)	Tamanho da pastilha	1 Cápsula periférica	5 Jogo de calço para cápsula	2 Sapatas	*)	A Guias	*)
A818.20-1D02.750S13B	(0.079)	TXN-25	R818-2024S-TXN-25	5549 128-10	N/A	0	430.32-12D65.0	2
A818.20-1D03.000S14B	(0.197)	TXN-25	R818-2024S-TXN-25	5549 128-10	818-12-065-S	2	430.32-12D75.0	2
A818.20-1D03.500S15B	(0.197)	TXN-25	R818-2024S-TXN-25	5549 128-10	818-12-065-S	2	430.32-12D85.0	2
A818.20-1D03.750S16B	(0.197)	TXN-40	R818-2532S-TXN-40	5549 128-20	818-12-065-S	2	430.32-12D95.0	2
A818.20-1D04.000S17B	(0.315)	TXN-40	R818-2532S-TXN-40	5549 128-20	818-16-110-S	2	430.32-16D100.0	2
A818.20-1D04.750S19B	(0.315)	TXN-40	R818-2532S-TXN-40	5549 128-20	818-16-110-S	2	430.32-16D120.0	2
A818.20-1D05.750S21B	(0.315)	TXN-40	R818-2532S-TXN-40	5549 128-20	818-16-110-S	2	430.32-16D140.0	2
A818.20-1D06.750S23B	(0.315)	TXN-40	R818-2532S-TXN-40	5549 128-20	818-16-110-S	2	430.32-16D170.0	2
A818.20-1D07.750S25B	(0.315)	TXN-40	R818-2532S-TXN-40	5549 128-20	818-16-110-S	2	430.32-16D180.0	2
A818.20-1D08.750S27B	(0.315)	TXN-40	R818-2532S-TXN-40	5549 128-20	818-18-300-R	2	430.21-18D200.0	2
A818.20-1D09.375S28B	(0.315)	TXN-40	R818-2532S-TXN-40	5549 128-20	818-18-300-R	2	430.21-18D225.0	2
A818.20-1D10.625S30B	(0.315)	TXN-40	R818-2532S-TXN-40	5549 128-20	818-18-300-R	2	430.21-18D250.0	2
A818.20-1D11.250S32B	(0.315)	TXN-40	R818-2532S-TXN-40	5549 128-20	818-18-300-R	2	430.21-18D250.0	2
818.20-1D040.00S08B	1.50	TXN-16	R818-1016B-TXN-16	5549 128-00	818-08-030-R	2	430.21-08D38.0	2
818.20-1D043.00S08B	2.00	TXN-16	R818-1016B-TXN-16	5549 128-00	818-08-040-R	2	430.21-08D38.0	2
818.20-1D047.00S09B	2.00	TXN-16	R818-1016B-TXN-16	5549 128-00	818-10-040-R	2	430.21-10D47.0	2
818.20-1D051.00S10B	2.00	TXN-16	R818-1016B-TXN-16	5549 128-00	818-10-040-R	2	430.21-10D47.0	2
818.20-1D055.00S10B	2.00	TXN-16	R818-1016B-TXN-16	5549 128-00	818-10-040-R	2	430.21-10D52.0	2
818.20-1D059.00S11B	2.00	TXN-16	R818-1016B-TXN-16	5549 128-00	818-10-040-R	2	430.21-10D58.0	2
818.20-1D063.00S12B	2.00	TXN-16	R818-1016B-TXN-16	5549 128-00	818-10-040-R	2	430.21-10D58.0	2
818.20-1D065.00S12B	2.00	TXN-25	R818-2024S-TXN-25	5549 128-10	N/A	0	430.32-12D65.0	2
818.20-1D073.00S13B	2.00	TXN-25	R818-2024S-TXN-25	5549 128-10	N/A	0	430.32-12D70.0	2
818.20-1D078.00S14B	5.00	TXN-25	R818-2024S-TXN-25	5549 128-10	818-12-065-S	2	430.32-12D75.0	2
818.20-1D085.00S15B	5.00	TXN-25	R818-2024S-TXN-25	5549 128-10	818-12-065-S	2	430.32-12D85.0	2
818.20-1D110.00S18B	8.00	TXN-40	R818-2532S-TXN-40	5549 128-20	818-16-110-S	2	430.32-16D110.0	2
818.20-1D135.00S20B	8.00	TXN-40	R818-2532S-TXN-40	5549 128-20	818-16-110-S	2	430.32-16D130.0	2
818.20-1D160.00S22B	8.00	TXN-40	R818-2532S-TXN-40	5549 128-20	818-16-110-S	2	430.32-16D160.0	2
818.20-1D185.00S24B	8.00	TXN-40	R818-2532S-TXN-40	5549 128-20	818-16-110-S	2	430.32-16D180.0	2
818.20-1D210.00S26B	8.00	TXN-40	R818-2532S-TXN-40	5549 128-20	818-18-300-R	2	430.21-18D200.0	2
818.20-1D254.00S30B	8.00	TXN-40	R818-2532S-TXN-40	5549 128-20	818-18-300-R	2	430.21-18D250.0	2

13 Placa de proteção do assento	14 Parafuso	23 Chave
5549 029-01	3212 020-259	3021 010-030
5549 029-02	3212 020-309	3021 010-040
5549 029-03	3212 020-360	3021 010-050
5549 029-04	3212 020-410	3021 010-060
5549 029-05	3212 020-462	3021 010-080
5549 029-06	3212 010-513	3021 010-100
5549 029-07	3212 010-564	3021 010-140



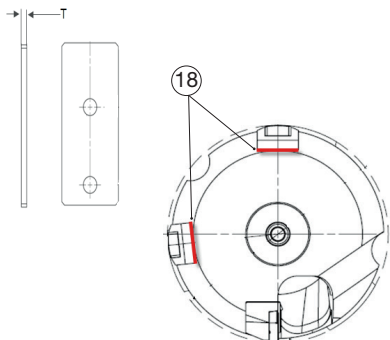
6 Guias	8 Parafuso	21 Chave (Torx Plus)
801-142067-S	5513 020-01	5680 046-02
801-202582-S	5513 020-26	5680 046-06



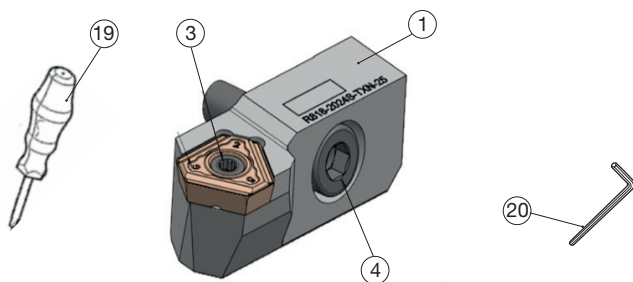
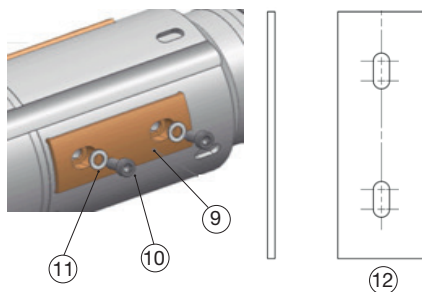


A	*)	13	16	*)	6	*)	7	*)	9	*)
Guias (opcional)		Placa de proteção do assento	Jogo de calço da guia		Guias		Jogo de calço para guia de segurança		Blank de fibra da guia	
800-14D065 PM1	2	5549 029-01	5549 127-20	2	801-142067-S	2	5549 126-90	2	5571 001-06	3
800-16D075 PM1	2	5549 029-03	5549 127-20	2	801-142067-S	1	5549 126-90	1	5571 001-07	3
800-18D085 PM1	2	5549 029-04	5549 127-20	2	801-142067-S	1	5549 126-90	1	5571 001-07	3
800-18D085 PM1	2	5549 029-04	5549 127-20	2	801-142067-S	1	5549 126-90	1	5571 001-08	3
800-20D100 PM1	2	5549 029-04	5549 126-10	2	801-202582-S	1	5549 126-91	1	5571 001-09	3
800-24D120 PM1	2	5549 029-05	5549 126-10	2	801-202582-S	1	5549 126-91	1	5571 001-09	3
N/A	2	5549 029-05	5549 126-10	2	801-202582-S	1	5549 126-91	1	5571 001-10	3
N/A	-	5549 029-06	5549 126-10	2	801-202582-S	1	5549 126-91	1	5571 001-11	3
N/A	-	5549 029-06	5549 126-10	2	801-202582-S	1	5549 126-91	1	5571 001-11	3
N/A	-	5549 029-07	N/A	-	801-202582-S	1	5549 126-91	1	5571 001-12	3
N/A	-	5549 029-07	N/A	-	801-202582-S	1	5549 126-91	1	5571 001-12	3
N/A	-	5549 029-07	N/A	-	801-202582-S	1	5549 126-91	1	5571 001-13	3
N/A	-	5549 029-07	N/A	-	801-202582-S	1	5549 126-91	1	5571 001-13	3
N/A	-	N/A	N/A	-	N/A	-	N/A	-	5571 001-05	3
N/A	-	N/A	N/A	-	N/A	-	N/A	-	5571 001-05	3
N/A	-	N/A	N/A	-	N/A	-	5549 126-90	1	5571 001-05	3
N/A	-	N/A	N/A	-	N/A	-	5549 126-90	1	5571 001-06	3
N/A	-	N/A	N/A	-	801-142067-S	1	5549 126-90	1	5571 001-06	3
N/A	-	N/A	N/A	-	801-142067-S	1	5549 126-90	1	5571 001-06	3
N/A	-	N/A	N/A	-	801-142067-S	1	5549 126-90	1	5571 001-06	3
800-14D065 PM1	2	5549 029-01	5549 127-20	2	801-142067-S	2	5549 126-90	2	5571 001-06	3
800-14D065 PM1	2	5549 029-02	5549 127-20	2	801-142067-S	2	5549 126-90	2	5571 001-07	3
800-16D075 PM1	2	5549 029-03	5549 127-20	2	801-142067-S	1	5549 126-90	1	5571 001-07	3
800-18D085 PM1	2	5549 029-04	5549 127-20	2	801-142067-S	1	5549 126-90	1	5571 001-07	3
800-22D110 PM1	2	5549 029-04	5549 127-10	2	801-202582-S	1	5549 126-91	1	5571 001-09	3
800-26D130 PM1	2	5549 029-05	5549 126-10	2	801-202582-S	1	5549 126-91	1	5571 001-10	3
N/A	-	5549 029-06	5549 126-10	2	801-202582-S	1	5549 126-91	1	5571 001-11	3
N/A	-	5549 029-06	5549 126-10	2	801-202582-S	1	5549 126-91	1	5571 001-11	3
N/A	-	5549 029-07	N/A	-	801-202582-S	1	5549 126-91	1	5571 001-12	3
N/A	-	5549 029-07	N/A	-	801-202582-S	1	5549 126-91	1	5571 001-12	3
N/A	-	5549 029-07	N/A	-	801-202582-S	1	5549 126-91	1	5571 001-13	3

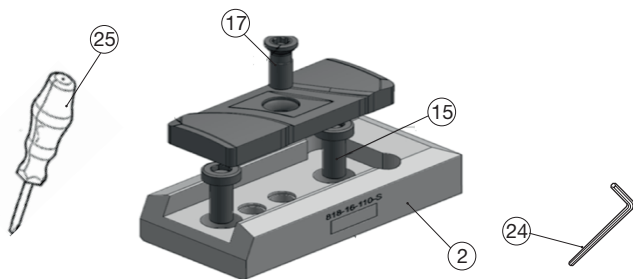
	2 Sapatas	18 Calço	T
	818-12-065-S & 818-12-100-S	5549 127-30	2
		5549 127-31	3
		5549 127-32	5
	818-16-110-S & 818-16-150-S	5549 126-40	2
		5549 126-41	3
		5549 126-42	5
	5549 126-43	8	
	818-08-030-R	5549 126-92	Jogo de calço
	818-08-040-R		
	818-10-030-R		
	818-10-040-R	5549 128-30	Jogo de calço
	818-18-300-R	5549 126-79	Jogo de calço
		5549 126-80	2
		5549 126-81	3
		5549 126-82	4
		5549 126-88	8



9	10	11	12
Blank de fibra da guia	Parafuso	Arruela	Calço
5571 001-01	3212 010-105	3411 010-022	5549 126-51
5571 001-02	3212 010-155	3411 010-027	5549 126-52
5571 001-03	3212 010-155	3411 010-027	5549 126-53
5571 001-04	3212 010-205	3411 010-032	5549 126-54
5571 001-05	3212 010-205	3411 010-032	5549 126-55
5571 001-06	3212 010-257	3411 010-043	5549 126-56
5571 001-07	3212 010-308	3411 010-053	5549 126-57
5571 001-08	3212 010-399	3411 010-064	5549 126-58
5571 001-09	3212 010-399	3411 010-064	5549 126-59
5571 001-10	3212 010-409	3411 010-084	5549 126-60
5571 001-11	3212 010-460	3411 010-105	5549 126-61
5571 001-12	3212 010-460	3411 010-105	5549 126-62
5571 001-13	3212 020-511	3411 010-130	5549 126-63
5571 001-14	3212 020-511	3411 010-130	5549 126-64



1	3	19	4	20
Cápsula periférica	Parafuso da pastilha	Chave (Torx Plus)	Parafuso	Chave
R818-1016B-TXN-16	5513 020-02	5680 046-02	3212 010-310	3021 010-040
R818-2024S-TXN-25	5513 020-55	5680 046-06	3212 010-412	3021 010-060
R818-2532S-TXN-40	5513 020-14	5680 046-07	3212 010-464	3021 010-080



2	15	24	17	25
Sapatas	Parafuso	Chave	Parafuso	Chave (Torx Plus)
818-08-030-R	148C-831	3021 010-030	5513 030-02	5680 051-02
818-08-040-R	148C-831	3021 010-030	5513 030-02	5680 051-02
818-10-040-R	148C-831	3021 010-030	5513 011-01	5680 051-02
818-12-065-S	3212 020-258	3021 010-030	5513 020-01	5680 046-02
818-12-100-S	3212 020-258	3021 010-030	5513 020-01	5680 046-02
818-16-110-S	3212 020-309	3021 010-040	5513 020-26	5680 046-06
818-16-150-S	3212 020-309	3021 010-040	5513 020-26	5680 046-06
818-18-300-R	3212 010-363	3021 010-050	430.21-820	3021 010-030



Entre em contato com seu representante Sandvik Coromant local para mais informações sobre pastilhas apropriadas.

5 Jogo de calço para cápsula 5549 128-00			Calços individuais
Peças	Tamanho		
	mm	Pol.	
1	0.05	0.002	5549 128-19
2	0.1	0.004	5549 128-01
2	0.15	0.006	5549 128-02
1	0.5	0.020	5549 128-03
1	1	0.039	5549 128-04
1	2	0.079	5549 128-05

5 Jogo de calço para cápsula 5549 128-10			Calços individuais
Peças	Tamanho		
	mm	Pol.	
1	0.05	0.002	5549 128-18
2	0.1	0.004	5549 128-11
2	0.15	0.006	5549 128-12
1	0.5	0.02	5549 128-13
1	1	0.039	5549 128-14
1	2	0.079	5549 128-15
1	3	0.118	5549 128-16
1	5	0.197	5549 128-17

5 Jogo de calço para cápsula 5549 128-20			Calços individuais
Peças	Tamanho		
	mm	Pol.	
1	0.05	0.002	5549 128-29
2	0.1	0.004	5549 128-21
2	0.15	0.006	5549 128-22
1	0.5	0.02	5549 128-23
1	1	0.039	5549 128-24
1	2	0.079	5549 128-25
1	3	0.118	5549 128-26
1	5	0.197	5549 128-27
1	8	0.315	5549 128-28

7 Jogo de calço para guia de segurança 5549 126-90		
Peças	Tamanho	
	mm	Pol.
1	0.2	0.008
1	0.5	0.020
1	1	0.039

7 Jogo de calço para guia de segurança 5549 126 91		
Peças	Tamanho	
	mm	Pol.
1	0.2	0.008
1	0.5	0.020
1	1	0.039

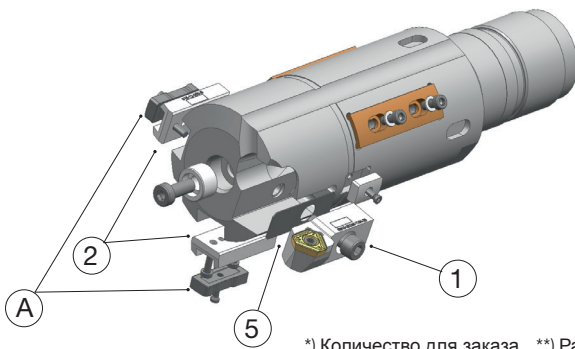
16 Jogo de calço da guia 5549 126-10			Calços individuais
Peças	Tamanho		
	mm	Pol.	
3	0.05	0.002	5549 126-07
3	0.1	0.004	5549 126-01
3	0.15	0.006	5549 126-04
3	0.2	0.008	5549 126-02
3	0.3	0.012	5549 126-03
3	2	0.079	5549 126-05
3	2.5	0.098	5549 126-06

16 Jogo de calço da guia 5549 127-20			Calços individuais
Peças	Tamanho		
	mm	Pol.	
3	0.05	0.002	5549 127-22
3	0.1	0.004	5549 127-01
3	0.15	0.006	5549 127-21
3	0.2	0.008	5549 127-02
3	0.3	0.012	5549 127-03
3	0.5	0.020	5549 127-04
3	0.75	0.029	5549 127-23
3	1.5	0.059	5549 127-24
3	2	0.079	5549 127-07

18 Jogo de calço 5549 126-92 (Sapatos 818-08-030/040-R)			Calços individuais
Peças	Tamanho		
	mm	Pol.	
1	0.05	0.002	5549 126-104
3	0.1	0.004	5549 126-97
3	0.15	0.006	5549 126-98
1	0.5	0.020	5549 126-101
1	1.5	0.059	5549 126-102
1	2	0.079	5549 126-103

18 Jogo de calço 5549 128-30 (Sapatos 818-10-040-R)			Calços individuais
Peças	Tamanho		
	mm	Pol.	
1	0.05	0.002	5549 128-36
3	0.1	0.004	5549 128-31
3	0.15	0.006	5549 128-32
1	0.5	0.020	5549 128-33
1	1	0.039	5549 128-34
1	2	0.079	5549 128-35

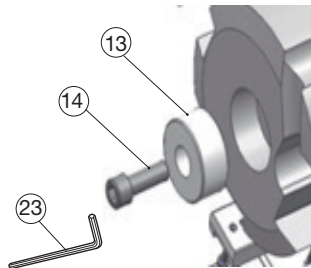
18 Jogo de calço 5549 126-79 (Sapatos 818-18-300-R)			Calços individuais
Peças	Tamanho		
	mm	Pol.	
1	0.05	0.002	5549 126-87
3	0.1	0.004	5549 126-86
3	0.15	0.006	5549 126-85
1	0.5	0.020	5549 126-84
1	1	0.039	5549 126-83



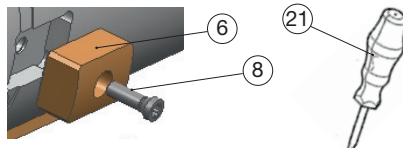
\*) Количество для заказа \*\*) Радиальная регулировка

Код заказа Расточная головка	**) мм (дюйм)	Размер пластин	1 Резцовая вставка	5 Набор регулируемых проставок для резцовой вставки	2 Картриджи для опорно-направляющих пластин	*) A Опорно-направляющие пластины	*)	
A818.20-1D02.750S13B	(0.079)	TXN-25	R818-2024S-TXN-25	5549 128-10	N/A	0	430.32-12D65.0	2
A818.20-1D03.000S14B	(0.197)	TXN-25	R818-2024S-TXN-25	5549 128-10	818-12-065-S	2	430.32-12D75.0	2
A818.20-1D03.500S15B	(0.197)	TXN-25	R818-2024S-TXN-25	5549 128-10	818-12-065-S	2	430.32-12D85.0	2
A818.20-1D03.750S16B	(0.197)	TXN-40	R818-2532S-TXN-40	5549 128-20	818-12-065-S	2	430.32-12D95.0	2
A818.20-1D04.000S17B	(0.315)	TXN-40	R818-2532S-TXN-40	5549 128-20	818-16-110-S	2	430.32-16D100.0	2
A818.20-1D04.750S19B	(0.315)	TXN-40	R818-2532S-TXN-40	5549 128-20	818-16-110-S	2	430.32-16D120.0	2
A818.20-1D05.750S21B	(0.315)	TXN-40	R818-2532S-TXN-40	5549 128-20	818-16-110-S	2	430.32-16D140.0	2
A818.20-1D06.750S23B	(0.315)	TXN-40	R818-2532S-TXN-40	5549 128-20	818-16-110-S	2	430.32-16D170.0	2
A818.20-1D07.750S25B	(0.315)	TXN-40	R818-2532S-TXN-40	5549 128-20	818-16-110-S	2	430.32-16D180.0	2
A818.20-1D08.750S27B	(0.315)	TXN-40	R818-2532S-TXN-40	5549 128-20	818-18-300-R	2	430.21-18D200.0	2
A818.20-1D09.375S28B	(0.315)	TXN-40	R818-2532S-TXN-40	5549 128-20	818-18-300-R	2	430.21-18D225.0	2
A818.20-1D10.625S30B	(0.315)	TXN-40	R818-2532S-TXN-40	5549 128-20	818-18-300-R	2	430.21-18D250.0	2
A818.20-1D11.250S32B	(0.315)	TXN-40	R818-2532S-TXN-40	5549 128-20	818-18-300-R	2	430.21-18D250.0	2
A818.20-1D040.00S08B	1.50	TXN-16	R818-1016B-TXN-16	5549 128-00	818-08-030-R	2	430.21-08D38.0	2
A818.20-1D043.00S08B	2.00	TXN-16	R818-1016B-TXN-16	5549 128-00	818-08-040-R	2	430.21-08D38.0	2
A818.20-1D047.00S09B	2.00	TXN-16	R818-1016B-TXN-16	5549 128-00	818-10-040-R	2	430.21-10D47.0	2
A818.20-1D051.00S10B	2.00	TXN-16	R818-1016B-TXN-16	5549 128-00	818-10-040-R	2	430.21-10D47.0	2
A818.20-1D055.00S10B	2.00	TXN-16	R818-1016B-TXN-16	5549 128-00	818-10-040-R	2	430.21-10D52.0	2
A818.20-1D059.00S11B	2.00	TXN-16	R818-1016B-TXN-16	5549 128-00	818-10-040-R	2	430.21-10D58.0	2
A818.20-1D063.00S12B	2.00	TXN-16	R818-1016B-TXN-16	5549 128-00	818-10-040-R	2	430.21-10D58.0	2
A818.20-1D065.00S12B	2.00	TXN-25	R818-2024S-TXN-25	5549 128-10	N/A	0	430.32-12D65.0	2
A818.20-1D073.00S13B	2.00	TXN-25	R818-2024S-TXN-25	5549 128-10	N/A	0	430.32-12D70.0	2
A818.20-1D078.00S14B	5.00	TXN-25	R818-2024S-TXN-25	5549 128-10	818-12-065-S	2	430.32-12D75.0	2
A818.20-1D085.00S15B	5.00	TXN-25	R818-2024S-TXN-25	5549 128-10	818-12-065-S	2	430.32-12D85.0	2
A818.20-1D110.00S18B	8.00	TXN-40	R818-2532S-TXN-40	5549 128-20	818-16-110-S	2	430.32-16D110.0	2
A818.20-1D135.00S20B	8.00	TXN-40	R818-2532S-TXN-40	5549 128-20	818-16-110-S	2	430.32-16D130.0	2
A818.20-1D160.00S22B	8.00	TXN-40	R818-2532S-TXN-40	5549 128-20	818-16-110-S	2	430.32-16D160.0	2
A818.20-1D185.00S24B	8.00	TXN-40	R818-2532S-TXN-40	5549 128-20	818-16-110-S	2	430.32-16D180.0	2
A818.20-1D210.00S26B	8.00	TXN-40	R818-2532S-TXN-40	5549 128-20	818-18-300-R	2	430.21-18D200.0	2
A818.20-1D254.00S30B	8.00	TXN-40	R818-2532S-TXN-40	5549 128-20	818-18-300-R	2	430.21-18D250.0	2

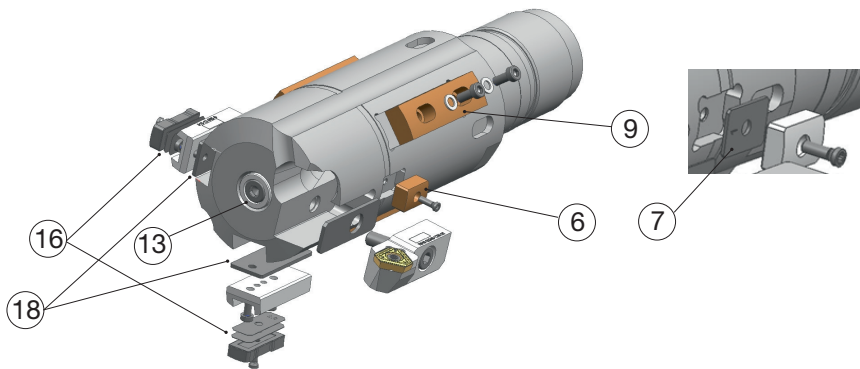
13 Защитная шайба настроечного отверстия	14 Винт	23 Ключ
5549 029-01	3212 020-259	3021 010-030
5549 029-02	3212 020-309	3021 010-040
5549 029-03	3212 020-360	3021 010-050
5549 029-04	3212 020-410	3021 010-060
5549 029-05	3212 020-462	3021 010-080
5549 029-06	3212 010-513	3021 010-100
5549 029-07	3212 010-564	3021 010-140



6 Защитная пластина	8 Винт	21 Отвертка
801-142067-S	5513 020-01	5680 046-02
801-202582-S	5513 020-26	5680 046-06

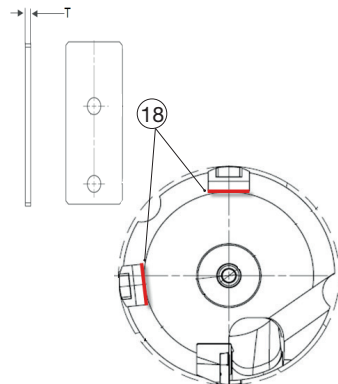




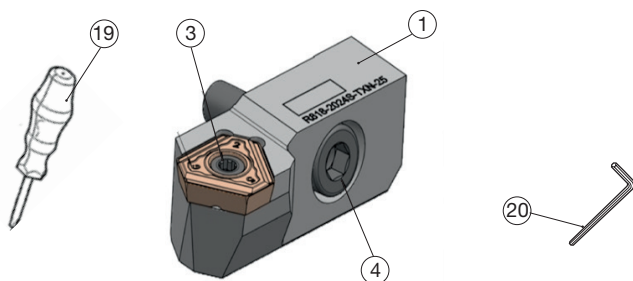
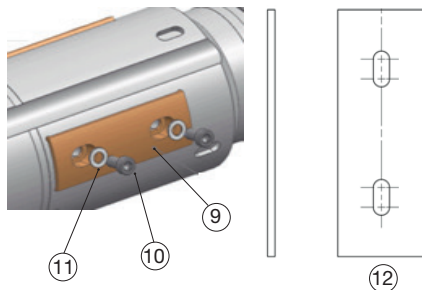


A	*)	13	16	*)	6	*)	7	*)	9	*)
Опорно-направляющие пластины (альтернативные)		Защитная шайба настрочного отверстия	Набор регулировочных проставок для опорно-направляющих пластин		Защитная пластина		Набор регулировочных проставок для защитной пластины		Направляющая пластина	
800-14D065 PM1	2	5549 029-01	5549 127-20	2	801-142067-S	2	5549 126-90	2	5571 001-06	3
800-16D075 PM1	2	5549 029-03	5549 127-20	2	801-142067-S	1	5549 126-90	1	5571 001-07	3
800-18D085 PM1	2	5549 029-04	5549 127-20	2	801-142067-S	1	5549 126-90	1	5571 001-07	3
800-18D085 PM1	2	5549 029-04	5549 127-20	2	801-142067-S	1	5549 126-90	1	5571 001-08	3
800-20D100 PM1	2	5549 029-04	5549 126-10	2	801-202582-S	1	5549 126-91	1	5571 001-09	3
800-24D120 PM1	2	5549 029-05	5549 126-10	2	801-202582-S	1	5549 126-91	1	5571 001-09	3
N/A	2	5549 029-05	5549 126-10	2	801-202582-S	1	5549 126-91	1	5571 001-10	3
N/A	-	5549 029-06	5549 126-10	2	801-202582-S	1	5549 126-91	1	5571 001-11	3
N/A	-	5549 029-06	5549 126-10	2	801-202582-S	1	5549 126-91	1	5571 001-11	3
N/A	-	5549 029-07	N/A	-	801-202582-S	1	5549 126-91	1	5571 001-12	3
N/A	-	5549 029-07	N/A	-	801-202582-S	1	5549 126-91	1	5571 001-12	3
N/A	-	5549 029-07	N/A	-	801-202582-S	1	5549 126-91	1	5571 001-13	3
N/A	-	5549 029-07	N/A	-	801-202582-S	1	5549 126-91	1	5571 001-13	3
N/A	-	N/A	N/A	-	N/A	-	N/A	-	5571 001-05	3
N/A	-	N/A	N/A	-	N/A	-	N/A	-	5571 001-05	3
N/A	-	N/A	N/A	-	N/A	-	5549 126-90	1	5571 001-05	3
N/A	-	N/A	N/A	-	N/A	-	5549 126-90	1	5571 001-06	3
N/A	-	N/A	N/A	-	801-142067-S	1	5549 126-90	1	5571 001-06	3
N/A	-	N/A	N/A	-	801-142067-S	1	5549 126-90	1	5571 001-06	3
N/A	-	N/A	N/A	-	801-142067-S	1	5549 126-90	1	5571 001-06	3
800-14D065 PM1	2	5549 029-01	5549 127-20	2	801-142067-S	2	5549 126-90	2	5571 001-06	3
800-14D065 PM1	2	5549 029-02	5549 127-20	2	801-142067-S	2	5549 126-90	2	5571 001-07	3
800-16D075 PM1	2	5549 029-03	5549 127-20	2	801-142067-S	1	5549 126-90	1	5571 001-07	3
800-18D085 PM1	2	5549 029-04	5549 127-20	2	801-142067-S	1	5549 126-90	1	5571 001-07	3
800-22D110 PM1	2	5549 029-04	5549 127-10	2	801-202582-S	1	5549 126-91	1	5571 001-09	3
800-26D130 PM1	2	5549 029-05	5549 126-10	2	801-202582-S	1	5549 126-91	1	5571 001-10	3
N/A	-	5549 029-06	5549 126-10	2	801-202582-S	1	5549 126-91	1	5571 001-11	3
N/A	-	5549 029-06	5549 126-10	2	801-202582-S	1	5549 126-91	1	5571 001-11	3
N/A	-	5549 029-07	N/A	-	801-202582-S	1	5549 126-91	1	5571 001-12	3
N/A	-	5549 029-07	N/A	-	801-202582-S	1	5549 126-91	1	5571 001-13	3

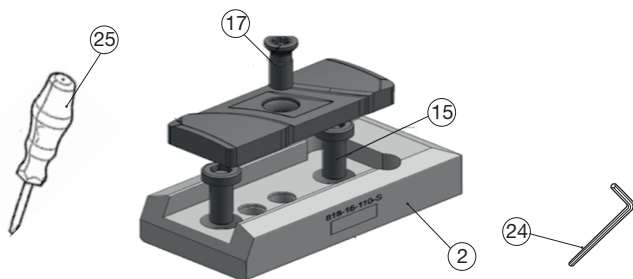
	2	18	T
	Картриджи для опорно-направляющих пластин	Проставка для картриджа	
	818-12-065-S & 818-12-100-S	5549 127-30	2
		5549 127-31	3
		5549 127-32	5
	818-16-110-S & 818-16-150-S	5549 126-40	2
		5549 126-41	3
		5549 126-42	5
		5549 126-43	8
	818-08-030-R	5549 126-92	Набор проставок
	818-08-040-R		
	818-10-030-R		
	818-10-040-R	5549 128-30	Набор проставок
	818-18-300-R	5549 126-79	Набор проставок
		5549 126-80	2
		5549 126-81	3
		5549 126-82	4
		5549 126-88	8



9	10	11	12
Направляющая пластина	Винт	Шайба	Проставка для направляющей пластины
5571 001-01	3212 010-105	3411 010-022	5549 126-51
5571 001-02	3212 010-155	3411 010-027	5549 126-52
5571 001-03	3212 010-155	3411 010-027	5549 126-53
5571 001-04	3212 010-205	3411 010-032	5549 126-54
5571 001-05	3212 010-205	3411 010-032	5549 126-55
5571 001-06	3212 010-257	3411 010-043	5549 126-56
5571 001-07	3212 010-308	3411 010-053	5549 126-57
5571 001-08	3212 010-399	3411 010-064	5549 126-58
5571 001-09	3212 010-399	3411 010-064	5549 126-59
5571 001-10	3212 010-409	3411 010-084	5549 126-60
5571 001-11	3212 010-460	3411 010-105	5549 126-61
5571 001-12	3212 010-460	3411 010-105	5549 126-62
5571 001-13	3212 020-511	3411 010-130	5549 126-63
5571 001-14	3212 020-511	3411 010-130	5549 126-64



1	3	19	4	20
Резцовая вставка	Винт пластины	Отвертка	Винт	Ключ
R818-1016B-TXN-16	5513 020-02	5680 046-02	3212 010-310	3021 010-040
R818-2024S-TXN-25	5513 020-55	5680 046-06	3212 010-412	3021 010-060
R818-2532S-TXN-40	5513 020-14	5680 046-07	3212 010-464	3021 010-080



2	15	24	17	25
Карtridge для опорно-направляющих пластин	Винт	Ключ	Винт	Отвертка
818-08-030-R	148C-831	3021 010-030	5513 030-02	5680 051-02
818-08-040-R	148C-831	3021 010-030	5513 030-02	5680 051-02
818-10-040-R	148C-831	3021 010-030	5513 011-01	5680 051-02
818-12-065-S	3212 020-258	3021 010-030	5513 020-01	5680 046-02
818-12-100-S	3212 020-258	3021 010-030	5513 020-01	5680 046-02
818-16-110-S	3212 020-309	3021 010-040	5513 020-26	5680 046-06
818-16-150-S	3212 020-309	3021 010-040	5513 020-26	5680 046-06
818-18-300-R	3212 010-363	3021 010-050	430.21-820	3021 010-030



Для получения подробной информации по выбору пластин, пожалуйста, обратитесь к региональному представителю Sandvik Coromant.

5 Набор регулировочных проставок для резцовой вставки 5549 128-00			Регулировочные проставки
Кол-во	Размер		
	мм	дюйм	
1	0.05	0.002	5549 128-19
2	0.1	0.004	5549 128-01
2	0.15	0.006	5549 128-02
1	0.5	0.020	5549 128-03
1	1	0.039	5549 128-04
1	2	0.079	5549 128-05

5 Набор регулировочных проставок для резцовой вставки 5549 128-10			Регулировочные проставки
Кол-во	Размер		
	мм	дюйм	
1	0.05	0.002	5549 128-18
2	0.1	0.004	5549 128-11
2	0.15	0.006	5549 128-12
1	0.5	0.02	5549 128-13
1	1	0.039	5549 128-14
1	2	0.079	5549 128-15
1	3	0.118	5549 128-16
1	5	0.197	5549 128-17

5 Набор регулировочных проставок для резцовой вставки 5549 128-20			Регулировочные проставки
Кол-во	Размер		
	мм	дюйм	
1	0.05	0.002	5549 128-29
2	0.1	0.004	5549 128-21
2	0.15	0.006	5549 128-22
1	0.5	0.02	5549 128-23
1	1	0.039	5549 128-24
1	2	0.079	5549 128-25
1	3	0.118	5549 128-26
1	5	0.197	5549 128-27
1	8	0.315	5549 128-28

7 Набор регулировочных проставок для защитной пластины 5549 126-90		
Кол-во	Размер	
	мм	дюйм
1	0.2	0.008
1	0.5	0.020
1	1	0.039

7 Набор регулировочных проставок для защитной пластины 5549 126-91		
Кол-во	Размер	
	мм	дюйм
1	0.2	0.008
1	0.5	0.020
1	1	0.039

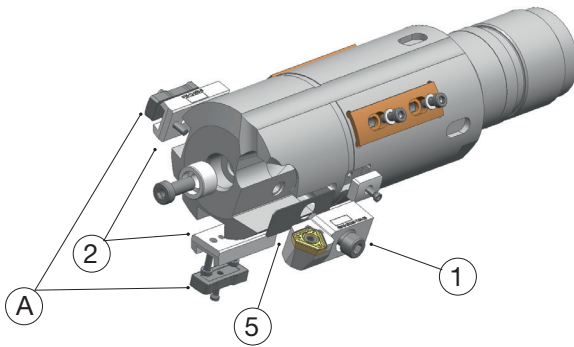
16 Набор регулировочных проставок для опорно-направляющих пластин 5549 126-10			Регулировочные проставки
Кол-во	Размер		
	мм	дюйм	
3	0.05	0.002	5549 126-07
3	0.1	0.004	5549 126-01
3	0.15	0.006	5549 126-04
3	0.2	0.008	5549 126-02
3	0.3	0.012	5549 126-03
3	2	0.079	5549 126-05
3	2.5	0.098	5549 126-06

16 Набор регулировочных проставок для опорно-направляющих пластин 5549 127-20			Регулировочные проставки
Кол-во	Размер		
	мм	дюйм	
3	0.05	0.002	5549 127-22
3	0.1	0.004	5549 127-01
3	0.15	0.006	5549 127-21
3	0.2	0.008	5549 127-02
3	0.3	0.012	5549 127-03
3	0.5	0.020	5549 127-04
3	0.75	0.029	5549 127-23
3	1.5	0.059	5549 127-24
3	2	0.079	5549 127-07

18 Набор проставок 5549 126-92 (Картриджи для опорно-направляющих пластин 818-08-030/040-R)			Регулировочные проставки
Кол-во	Size		
	мм	дюйм	
1	0.05	0.002	5549 126-104
3	0.1	0.004	5549 126-97
3	0.15	0.006	5549 126-98
1	0.5	0.020	5549 126-101
1	1.5	0.059	5549 126-102
1	2	0.079	5549 126-103

18 Набор проставок 5549 128-30 (Картриджи для опорно-направляющих пластин 818-10-040-R)			Регулировочные проставки
Кол-во	Size		
	мм	дюйм	
1	0.05	0.002	5549 128-36
3	0.1	0.004	5549 128-31
3	0.15	0.006	5549 128-32
1	0.5	0.020	5549 128-33
1	1	0.039	5549 128-34
1	2	0.079	5549 128-35

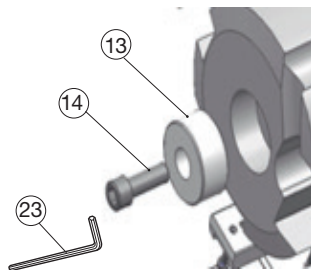
18 Набор проставок 5549 126-79 (Картриджи для опорно-направляющих пластин 818-18-300-R)			Регулировочные проставки
Кол-во	Size		
	мм	дюйм	
1	0.05	0.002	5549 126-87
3	0.1	0.004	5549 126-86
3	0.15	0.006	5549 126-85
1	0.5	0.020	5549 126-84
1	1	0.039	5549 126-83



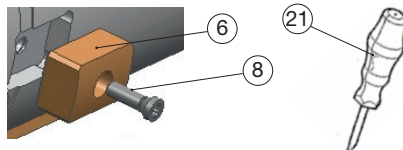
\*) Cantidad que se debe pedir \*\*) Ajuste radial

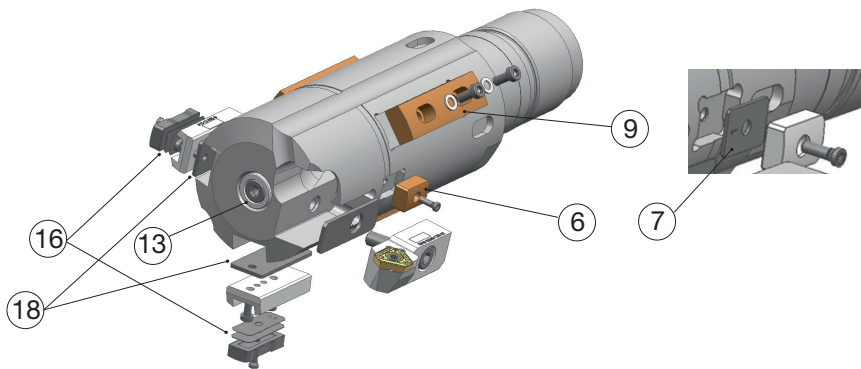
Código de pedido Cabeza para taladrado	**) mm (pul.)	Tamaño de la plaquita	1 Cartucho periférico	5 Juego de placas de apoyo del cartucho	2 Zapatillas de patín	*)	A Patín	*)
A818.20-1D02.750S13B	(0.079)	TXN-25	R818-2024S-TXN-25	5549 128-10	N/A	0	430.32-12D65.0	2
A818.20-1D03.000S14B	(0.197)	TXN-25	R818-2024S-TXN-25	5549 128-10	818-12-065-S	2	430.32-12D75.0	2
A818.20-1D03.500S15B	(0.197)	TXN-25	R818-2024S-TXN-25	5549 128-10	818-12-065-S	2	430.32-12D85.0	2
A818.20-1D03.750S16B	(0.197)	TXN-40	R818-2532S-TXN-40	5549 128-20	818-12-065-S	2	430.32-12D95.0	2
A818.20-1D04.000S17B	(0.315)	TXN-40	R818-2532S-TXN-40	5549 128-20	818-16-110-S	2	430.32-16D100.0	2
A818.20-1D04.750S19B	(0.315)	TXN-40	R818-2532S-TXN-40	5549 128-20	818-16-110-S	2	430.32-16D120.0	2
A818.20-1D05.750S21B	(0.315)	TXN-40	R818-2532S-TXN-40	5549 128-20	818-16-110-S	2	430.32-16D140.0	2
A818.20-1D06.750S23B	(0.315)	TXN-40	R818-2532S-TXN-40	5549 128-20	818-16-110-S	2	430.32-16D170.0	2
A818.20-1D07.750S25B	(0.315)	TXN-40	R818-2532S-TXN-40	5549 128-20	818-16-110-S	2	430.32-16D180.0	2
A818.20-1D08.750S27B	(0.315)	TXN-40	R818-2532S-TXN-40	5549 128-20	818-18-300-R	2	430.21-18D200.0	2
A818.20-1D09.375S28B	(0.315)	TXN-40	R818-2532S-TXN-40	5549 128-20	818-18-300-R	2	430.21-18D225.0	2
A818.20-1D10.625S30B	(0.315)	TXN-40	R818-2532S-TXN-40	5549 128-20	818-18-300-R	2	430.21-18D250.0	2
A818.20-1D11.250S32B	(0.315)	TXN-40	R818-2532S-TXN-40	5549 128-20	818-18-300-R	2	430.21-18D250.0	2
818.20-1D040.00S08B	1.50	TXN-16	R818-1016B-TXN-16	5549 128-00	818-08-030-R	2	430.21-08D38.0	2
818.20-1D043.00S08B	2.00	TXN-16	R818-1016B-TXN-16	5549 128-00	818-08-040-R	2	430.21-08D38.0	2
818.20-1D047.00S09B	2.00	TXN-16	R818-1016B-TXN-16	5549 128-00	818-10-040-R	2	430.21-10D47.0	2
818.20-1D051.00S10B	2.00	TXN-16	R818-1016B-TXN-16	5549 128-00	818-10-040-R	2	430.21-10D47.0	2
818.20-1D055.00S10B	2.00	TXN-16	R818-1016B-TXN-16	5549 128-00	818-10-040-R	2	430.21-10D52.0	2
818.20-1D059.00S11B	2.00	TXN-16	R818-1016B-TXN-16	5549 128-00	818-10-040-R	2	430.21-10D58.0	2
818.20-1D063.00S12B	2.00	TXN-16	R818-1016B-TXN-16	5549 128-00	818-10-040-R	2	430.21-10D58.0	2
818.20-1D065.00S12B	2.00	TXN-25	R818-2024S-TXN-25	5549 128-10	N/A	0	430.32-12D65.0	2
818.20-1D073.00S13B	2.00	TXN-25	R818-2024S-TXN-25	5549 128-10	N/A	0	430.32-12D70.0	2
818.20-1D078.00S14B	5.00	TXN-25	R818-2024S-TXN-25	5549 128-10	818-12-065-S	2	430.32-12D75.0	2
818.20-1D085.00S15B	5.00	TXN-25	R818-2024S-TXN-25	5549 128-10	818-12-065-S	2	430.32-12D85.0	2
818.20-1D110.00S18B	8.00	TXN-40	R818-2532S-TXN-40	5549 128-20	818-16-110-S	2	430.32-16D110.0	2
818.20-1D135.00S20B	8.00	TXN-40	R818-2532S-TXN-40	5549 128-20	818-16-110-S	2	430.32-16D130.0	2
818.20-1D160.00S22B	8.00	TXN-40	R818-2532S-TXN-40	5549 128-20	818-16-110-S	2	430.32-16D160.0	2
818.20-1D185.00S24B	8.00	TXN-40	R818-2532S-TXN-40	5549 128-20	818-16-110-S	2	430.32-16D180.0	2
818.20-1D210.00S26B	8.00	TXN-40	R818-2532S-TXN-40	5549 128-20	818-18-300-R	2	430.21-18D200.0	2
818.20-1D254.00S30B	8.00	TXN-40	R818-2532S-TXN-40	5549 128-20	818-18-300-R	2	430.21-18D250.0	2

13 Placa de protección del asiento	14 Tornillo	23 Llave
5549 029-01	3212 020-259	3021 010-030
5549 029-02	3212 020-309	3021 010-040
5549 029-03	3212 020-360	3021 010-050
5549 029-04	3212 020-410	3021 010-060
5549 029-05	3212 020-462	3021 010-080
5549 029-06	3212 010-513	3021 010-100
5549 029-07	3212 010-564	3021 010-140



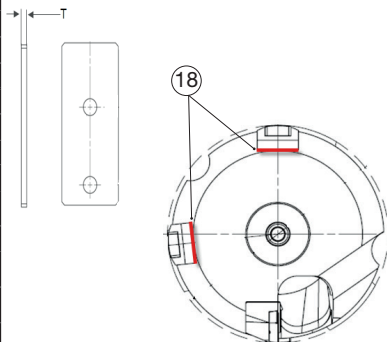
6 Patín	8 Tornillo	21 Destornillador
801-142067-S	5513 020-01	5680 046-02
801-202582-S	5513 020-26	5680 046-06



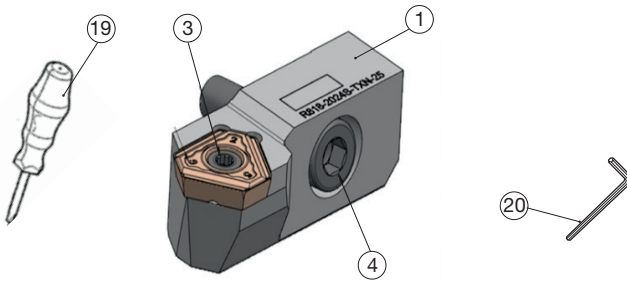
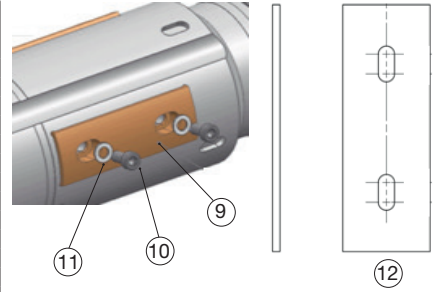


A	*)	13	16	*)	6	*)	7	*)	9	*)
Patines (opcional)		Placa de protección del asiento	Juego de placas de apoyo del patín		Patín		Juego de placas de apoyo del patín de seguridad		Proforma de patín de fibra	
800-14D065 PM1	2	5549 029-01	5549 127-20	2	801-142067-S	2	5549 126-90	2	5571 001-06	3
800-16D075 PM1	2	5549 029-03	5549 127-20	2	801-142067-S	1	5549 126-90	1	5571 001-07	3
800-18D085 PM1	2	5549 029-04	5549 127-20	2	801-142067-S	1	5549 126-90	1	5571 001-07	3
800-18D085 PM1	2	5549 029-04	5549 127-20	2	801-142067-S	1	5549 126-90	1	5571 001-08	3
800-20D100 PM1	2	5549 029-04	5549 126-10	2	801-202582-S	1	5549 126-91	1	5571 001-09	3
800-24D120 PM1	2	5549 029-05	5549 126-10	2	801-202582-S	1	5549 126-91	1	5571 001-09	3
N/A	2	5549 029-05	5549 126-10	2	801-202582-S	1	5549 126-91	1	5571 001-10	3
N/A	-	5549 029-06	5549 126-10	2	801-202582-S	1	5549 126-91	1	5571 001-11	3
N/A	-	5549 029-06	5549 126-10	2	801-202582-S	1	5549 126-91	1	5571 001-11	3
N/A	-	5549 029-07	N/A	-	801-202582-S	1	5549 126-91	1	5571 001-12	3
N/A	-	5549 029-07	N/A	-	801-202582-S	1	5549 126-91	1	5571 001-12	3
N/A	-	5549 029-07	N/A	-	801-202582-S	1	5549 126-91	1	5571 001-13	3
N/A	-	5549 029-07	N/A	-	801-202582-S	1	5549 126-91	1	5571 001-13	3
N/A	-	N/A	N/A	-	N/A	-	N/A	-	5571 001-05	3
N/A	-	N/A	N/A	-	N/A	-	N/A	-	5571 001-05	3
N/A	-	N/A	N/A	-	N/A	-	5549 126-90	1	5571 001-05	3
N/A	-	N/A	N/A	-	N/A	-	5549 126-90	1	5571 001-06	3
N/A	-	N/A	N/A	-	801-142067-S	1	5549 126-90	1	5571 001-06	3
N/A	-	N/A	N/A	-	801-142067-S	1	5549 126-90	1	5571 001-06	3
N/A	-	N/A	N/A	-	801-142067-S	2	5549 126-90	2	5571 001-06	3
800-14D065 PM1	2	5549 029-01	5549 127-20	2	801-142067-S	2	5549 126-90	2	5571 001-07	3
800-14D065 PM1	2	5549 029-02	5549 127-20	2	801-142067-S	2	5549 126-90	2	5571 001-07	3
800-16D075 PM1	2	5549 029-03	5549 127-20	2	801-142067-S	1	5549 126-90	1	5571 001-07	3
800-18D085 PM1	2	5549 029-04	5549 127-20	2	801-142067-S	1	5549 126-90	1	5571 001-07	3
800-18D085 PM1	2	5549 029-04	5549 127-10	2	801-202582-S	1	5549 126-91	1	5571 001-09	3
800-22D110 PM1	2	5549 029-04	5549 127-10	2	801-202582-S	1	5549 126-91	1	5571 001-09	3
800-26D130 PM1	2	5549 029-05	5549 126-10	2	801-202582-S	1	5549 126-91	1	5571 001-10	3
N/A	-	5549 029-06	5549 126-10	2	801-202582-S	1	5549 126-91	1	5571 001-11	3
N/A	-	5549 029-06	5549 126-10	2	801-202582-S	1	5549 126-91	1	5571 001-11	3
N/A	-	5549 029-07	N/A	-	801-202582-S	1	5549 126-91	1	5571 001-12	3
N/A	-	5549 029-07	N/A	-	801-202582-S	1	5549 126-91	1	5571 001-12	3
N/A	-	5549 029-07	N/A	-	801-202582-S	1	5549 126-91	1	5571 001-13	3

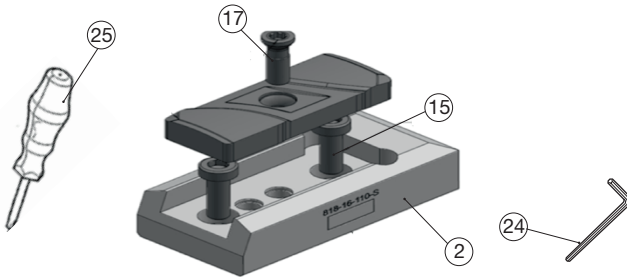
	2	18	T		
	Zapatas de patín	Placa de apoyo			
	818-12-065-S & 818-12-100-S	5549 127-30	2		
		5549 127-31	3		
		5549 127-32	5		
	818-16-110-S & 818-16-150-S	5549 126-40	2		
		5549 126-41	3		
		5549 126-42	5		
5549 126-43		8			
	818-08-030-R	5549 126-92	Juego de placa de apoyo		
	818-08-040-R				
	818-10-030-R				
	818-10-040-R	5549 128-30	Juego de placa de apoyo		
	818-18-300-R			5549 126-79	Juego de placa de apoyo
				5549 126-80	2
				5549 126-81	3
				5549 126-82	4
5549 126-88	8				



9	10	11	12
Proforma de patín de fibra	Tornillo	Arandela	Placa de apoyo
5571 001-01	3212 010-105	3411 010-022	5549 126-51
5571 001-02	3212 010-155	3411 010-027	5549 126-52
5571 001-03	3212 010-155	3411 010-027	5549 126-53
5571 001-04	3212 010-205	3411 010-032	5549 126-54
5571 001-05	3212 010-205	3411 010-032	5549 126-55
5571 001-06	3212 010-257	3411 010-043	5549 126-56
5571 001-07	3212 010-308	3411 010-053	5549 126-57
5571 001-08	3212 010-399	3411 010-064	5549 126-58
5571 001-09	3212 010-399	3411 010-064	5549 126-59
5571 001-10	3212 010-409	3411 010-084	5549 126-60
5571 001-11	3212 010-460	3411 010-105	5549 126-61
5571 001-12	3212 010-460	3411 010-105	5549 126-62
5571 001-13	3212 020-511	3411 010-130	5549 126-63
5571 001-14	3212 020-511	3411 010-130	5549 126-64



1	3	19	4	20
Cartucho periférico	Tornillo de la plaquita	Destornillador	Tornillo	Llave
R818-1016B-TXN-16	5513 020-02	5680 046-02	3212 010-310	3021 010-040
R818-2024S-TXN-25	5513 020-55	5680 046-06	3212 010-412	3021 010-060
R818-2532S-TXN-40	5513 020-14	5680 046-07	3212 010-464	3021 010-080



2	15	24	17	25
Zapatillas de patín	Tornillo	Llave	Tornillo	Destornillador
818-08-030-R	148C-831	3021 010-030	5513 030-02	5680 051-02
818-08-040-R	148C-831	3021 010-030	5513 030-02	5680 051-02
818-10-040-R	148C-831	3021 010-030	5513 011-01	5680 051-02
818-12-065-S	3212 020-258	3021 010-030	5513 020-01	5680 046-02
818-12-100-S	3212 020-258	3021 010-030	5513 020-01	5680 046-02
818-16-110-S	3212 020-309	3021 010-040	5513 020-26	5680 046-06
818-16-150-S	3212 020-309	3021 010-040	5513 020-26	5680 046-06
818-18-300-R	3212 010-363	3021 010-050	430.21-820	3021 010-030



Para obtener más información sobre las plaquitas apropiadas, póngase en contacto con su representante de Sandvik Coromant local.

5 Juego de placas de apoyo del cartucho 5549 128-00			Placas de apoyo individuales
Piezas	Tamaño		
	mm	Pul.	
1	0.05	0.002	5549 128-19
2	0.1	0.004	5549 128-01
2	0.15	0.006	5549 128-02
1	0.5	0.020	5549 128-03
1	1	0.039	5549 128-04
1	2	0.079	5549 128-05

5 Juego de placas de apoyo del cartucho 5549 128-10			Placas de apoyo individuales
Piezas	Tamaño		
	mm	Pul.	
1	0.05	0.002	5549 128-18
2	0.1	0.004	5549 128-11
2	0.15	0.006	5549 128-12
1	0.5	0.02	5549 128-13
1	1	0.039	5549 128-14
1	2	0.079	5549 128-15
1	3	0.118	5549 128-16
1	5	0.197	5549 128-17

5 Juego de placas de apoyo del cartucho 5549 128-20			Placas de apoyo individuales
Piezas	Tamaño		
	mm	Pul.	
1	0.05	0.002	5549 128-29
2	0.1	0.004	5549 128-21
2	0.15	0.006	5549 128-22
1	0.5	0.02	5549 128-23
1	1	0.039	5549 128-24
1	2	0.079	5549 128-25
1	3	0.118	5549 128-26
1	5	0.197	5549 128-27
1	8	0.315	5549 128-28

7 Juego de placas de apoyo del patín de seguridad 5549 126-90		
Piezas	Tamaño	
	mm	Pul.
1	0.2	0.008
1	0.5	0.020
1	1	0.039

7 Juego de placas de apoyo del patín de seguridad 5549 126-91		
Piezas	Tamaño	
	mm	Pul.
1	0.2	0.008
1	0.5	0.020
1	1	0.039

16 Juego de placas de apoyo del patín 5549 126-10			Placas de apoyo individuales
Piezas	Tamaño		
	mm	Pul.	
3	0.05	0.002	5549 126-07
3	0.1	0.004	5549 126-01
3	0.15	0.006	5549 126-04
3	0.2	0.008	5549 126-02
3	0.3	0.012	5549 126-03
3	2	0.079	5549 126-05
3	2.5	0.098	5549 126-06

16 Juego de placas de apoyo del patín 5549 127-20			Placas de apoyo individuales
Piezas	Tamaño		
	mm	Pul.	
3	0.05	0.002	5549 127-22
3	0.1	0.004	5549 127-01
3	0.15	0.006	5549 127-21
3	0.2	0.008	5549 127-02
3	0.3	0.012	5549 127-03
3	0.5	0.020	5549 127-04
3	0.75	0.029	5549 127-23
3	1.5	0.059	5549 127-24
3	2	0.079	5549 127-07

18 Juego de placa de apoyo 5549 126-92 (Zapatitas de patín 818-08-030/040-R)			Placas de apoyo individuales
Piezas	Tamaño		
	mm	Pul.	
1	0.05	0.002	5549 126-104
3	0.1	0.004	5549 126-97
3	0.15	0.006	5549 126-98
1	0.5	0.020	5549 126-101
1	1.5	0.059	5549 126-102
1	2	0.079	5549 126-103

18 Juego de placa de apoyo 5549 128-30 (Zapatitas de patín 818-10-040-R)			Placas de apoyo individuales
Piezas	Tamaño		
	mm	Pul.	
1	0.05	0.002	5549 128-36
3	0.1	0.004	5549 128-31
3	0.15	0.006	5549 128-32
1	0.5	0.020	5549 128-33
1	1	0.039	5549 128-34
1	2	0.079	5549 128-35

18 Juego de placa de apoyo 5549 126-79 (Zapatitas de patín 818-18-300-R)			Placas de apoyo individuales
Piezas	Tamaño		
	mm	Pul.	
1	0.05	0.002	5549 126-87
3	0.1	0.004	5549 126-86
3	0.15	0.006	5549 126-85
1	0.5	0.020	5549 126-84
1	1	0.039	5549 126-83



[www.sandvik.coromant.com/corodrill818](http://www.sandvik.coromant.com/corodrill818)

Head office:  
AB Sandvik Coromant  
SE-811 81 Sandviken, Sweden  
[www.sandvik.coromant.com](http://www.sandvik.coromant.com)  
E-mail: [info.coromant@sandvik.com](mailto:info.coromant@sandvik.com)

**92006**

© AB Sandvik Coromant Rev 1 2014.01  
Rev 2 2014.08, Rev 3 2015.03, Rev 4 2016.05

