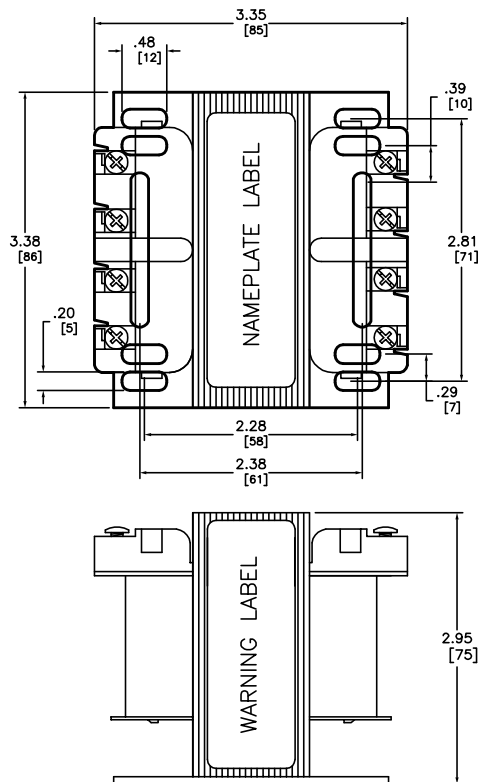


J:\wip\209\control_online\5846.DWG 07/22/2008 12:13:40 PM

CATALOG NUMBER	PRIMARY VOLTAGE	SECONDARY VOLTAGE	50/60 Hz 1 PHASE		APPROXIMATE WEIGHT (Lbs/Kg)
			UL/cUL/CSA/NOM RATINGS (VA)	CE RATINGS (VA)	
9070T100D1	220/440 230/460 240/480	110 115 120	100	100	3.8 / 1.7
9070T100D2	240/480	24	100	100	3.8 / 1.7
9070T100D3	208	120	100	100	3.8 / 1.7
9070T100D4	277	120	100	100	3.8 / 1.7
9070T100D5	550 575 600	110 115 120	100	100	3.8 / 1.7
9070T100D12	440 460 480	220 230 240	100	100	3.8 / 1.7
9070T100D13	120	12/24	100	100	3.9 / 1.7
9070T100D14	208	24	100	100	3.8 / 1.7
9070T100D15	240/480	24/120	100	100	3.8 / 1.7
9070T100D22	480	277	100	100	3.8 / 1.7
9070T100D23	120/240	24	100	100	3.8 / 1.7
9070T100D24	110 115 120	110 115 120	100	100	3.8 / 1.7
9070T100D25	277	24	100	100	3.8 / 1.7
9070T100D31	220/440 230/460 240/480	110/220 115/230 120/240	100	100	3.8 / 1.7
9070T100D33	380/400/415	115/230	100	100	3.8 / 1.7
9070T100D36	600	12/24	100	100	3.9 / 1.7
9070T100D37	550 575 600	110/220 115/230 120/240	100	100	3.9 / 1.7
9070T100D52	380/400/415	12/24	100	100	3.9 / 1.7
9070T100D54	120/240	12/24	100	100	3.8 / 1.7
9070T100D55	110/220 115/230 120/240	110/220 115/230 120/240	100	100	3.8 / 1.7
9070T100D59	240/480	12/24	100	100	2.3 / 1.0
9070T100D60	277	120/240	100	100	3.8 / 1.7
9070T100D62	600	240	100	100	3.8 / 1.7



FILES/STANDARDS:
 UL/cUL FILE: E61239
 CSA FILE: LR37055
 CE: TUV CERTIFIED TO 61558
 NOM 117

100VA--CONTROL POWER TRANSFORMER
 9070 TYPE T
 CATALOG NUMBERS: FROM CHART



DWG# 5846
 NO.