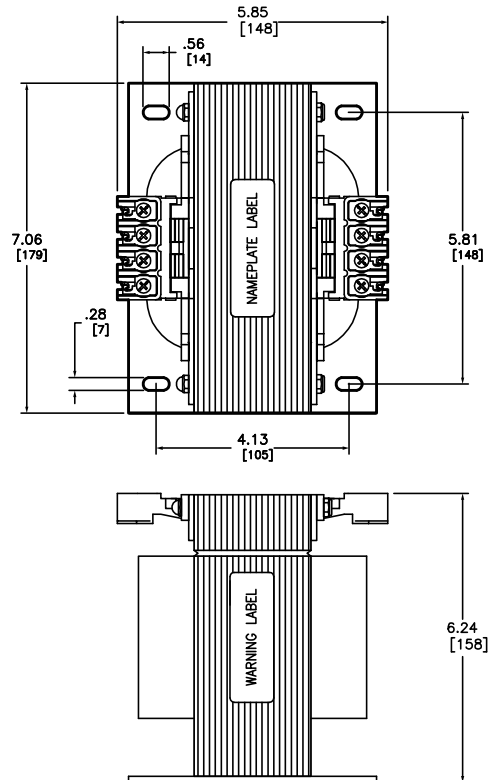


CATALOG NUMBER	PRIMARY VOLTAGE	SECONDARY VOLTAGE	50/60 Hz 1 PHASE		APPROXIMATE WEIGHT (Lbs/Kg)
			UL/cUL/CSA/NOM RATINGS (VA)	CE RATINGS (VA)	
9070T1500D1	220/440 230/480 240/480	110 115 120	1500	1000	34.6 / 15.7
9070T1500D3	208	120	1500	1000	34.7 / 15.7
9070T1500D4	277	120	1500	1000	34.1 / 15.4
9070T1500D5	550 575 600	110 115 120	1500	1000	33.9 / 15.3
9070T1500D12	440 480 480	220 230 240	1500	1000	33.4 / 15.1
9070T1500D15	240/480	24/120	1500	N/A	34.5 / 15.6
9070T1500D22	480	277	1500	1000	33.6 / 15.2
9070T1500D24	110 115 120	110 115 120	1500	1000	34.1 / 15.4
9070T1500D31	220/440 230/480 240/480	110/220 115/230 120/240	1500	1000	33.4 / 15.1
9070T1500D37	550 575 600	110/220 115/230 120/240	1500	1000	34.6 / 15.7
9070T1500D51	208/277	120	1500	1000	34.7 / 15.7
9070T1500D55	110/220 115/230 120/240	110/220 115/230 120/240	1500	1000	33.7 / 15.7
9070T1500D60	277	120/240	1500	1000	34.8 / 15.7
9070T1500D62	600	240	1500	1000	33.6 / 15.2



FILES/STANDARDS:  
 UL/cUL FILE: E61239  
 CSA FILE: LR37055  
 CE: TUV CERTIFIED TO 61558  
 NOM 117

1500VA--CONTROL POWER TRANSFORMER  
 9070 TYPE T  
 CATALOG NUMBERS: FROM CHART



DWG# 5873  
 No.