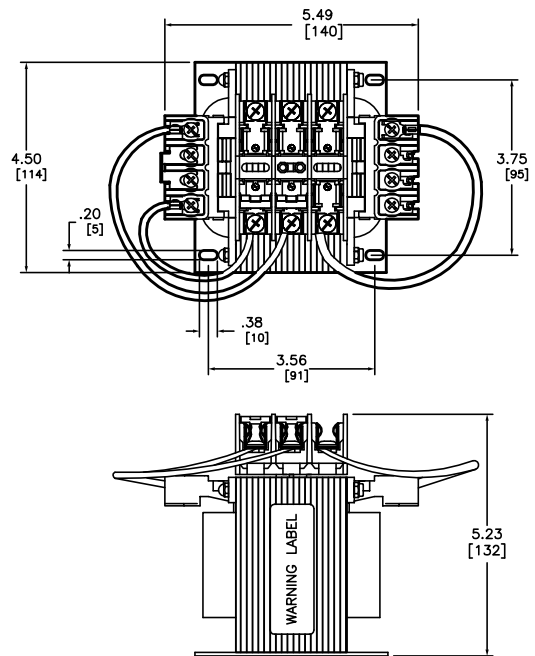


J:\wip\209\control_online\5636.dwg 07/22/2008 12:20:27 PM

CATALOG NUMBER	PRIMARY VOLTAGE	SECONDARY VOLTAGE	50/60 Hz 1 PHASE		APPROXIMATE WEIGHT (Lbs/Kg)
			UL/cUL/CSA/NOM RATINGS (VA)	CE RATINGS (VA)	
9070TF500D1	220/440 230/480 240/480	110 115 120	500	300	11.9 / 5.3
9070TF500D2	240/480	24	500	300	11.9 / 5.3
9070TF500D23	120/240	24	500	300	11.9 / 5.3



FILES/STANDARDS:
 UL/cUL FILE: E61239
 CSA FILE: LR37055
 CE: TUV CERTIFIED TO 61558
 NOM 117

500VA--CONTROL POWER TRANSFORMER
 9070 TYPE TF
 CATALOG NUMBERS: FROM CHART



DWG# 5936
 NO.