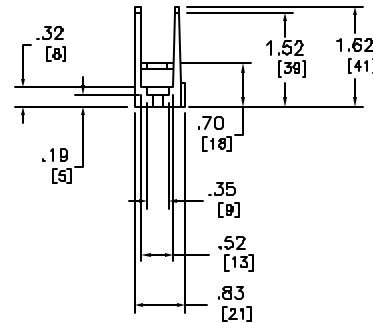
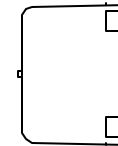
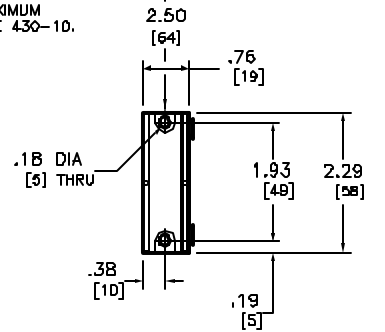


POWER DISTRIBUTION BLOCK	LUG WIRE RANGE *	
	MAIN	BRANCH
9D80-LBA1B11Q1	<1> #14-2	<1> #14-2
9D80-LBA1B11Q4	<1> #14-2	<4> #18-10

* LUGS SUITABLE FOR USE WITH 75 C CONDUCTORS BASED ON NEC TABLE 310-16

WIRE BENDING SPACE IS BASED UPON THE MAXIMUM WIRE SIZE OF THE TERMINAL AND NEC ARTICLE 430-10. WIRE BENDING SPACE FOR THE BOTTOM IS THE SAME AS THE TOP WIRE BENDING SPACE.

ELECTRICAL CLEARANCE/WIRE BENDING SPACE



Catalog Number: 9D80-LBA1B11D1/9D80-LBA1B11Q4
 Ratings: 600VAC, 156 AMP
 UL File/CCN: E60616/XCFR2
 CSA File/Class: LR70361
 Meets Standards: -
 Weight: -
 Wire Size: SEE CHART
 Terminal Torques: -
 Mounting Hwd.: #8 SCREWS

DUAL DIMENSIONS: INCHES
 MILLIMETERS

TERMINAL BLOCKS
 (POWER DISTRIBUTION BLOCKS)
 CLASS 9D80 TYPE LBA



DWG# E0803001-01
 NO.