

DIRECT OPENING N.C. CONTACTS MEET THE IEC AND EN REQUIREMENTS FOR POSITIVE OPENING CONTACTS PER IEC 947-5-1, EN 60947-5-1, AND NEMA ICS-5, PART 6 (DIRECT OPENING ACTION)

TYPE OF SWITCH		WITH INTERLOCKING, LOCKING BY ELECTROMAGNET ●			
TYPE OF INTERLOCKING		LOCKING WITHOUT POWER. ACTUATING KEY LOCKS INTO SWITCH WHEN INSERTED. THIS IS TYPICALLY PREFERRED AS THE DOOR IS SECURED REGARDLESS OF ELECTRICAL POWER AVAILABILITY POWER FAILURE. APPLYING POWER TO THE ELECTROMAGNET WILL UNLOCK ACTUATING KEY AND ALLOW IT TO BE REMOVED FROM THE SWITCH.			
LED INDICATION		ORANGE LED: "GUARD OPEN" SIGNALLING		GREEN LED: "GUARD CLOSED AND LOCKED" SIGNALLING	
SUPPLY VOLTAGE OF ELECTROMAGNET		24 VAC OR VDC	48 VAC OR VDC	110/120 VAC OR VDC	220/240 VAC OR VDC
N.C. + N.O. + N.O. (2 N.O. STAGGERED) SLOW BREAK		XCSE5313	XCSE5323	XCSE5333	XCSE5343
N.C. + N.C. + N.O. (N.O. STAGGERED) SLOW BREAK		XCSE7313	XCSE7323	XCSE7333	XCSE7343
N.C. + N.C. + N.C. SLOW BREAK		XCSE8313	XCSE8323	XCSE8333	XCSE8343
WEIGHT (oz.)		40 (1.14 kg)	40 (1.14 kg)	40 (1.14 kg)	40 (1.14 kg)

- 90° INCREMENTS THROUGHOUT 360°
- A TUBULAR HIGH SECURITY KEY OPERATED LOCK ENABLES THE FORCED OPENING OF THE INTERLOCKING DEVICE, ALLOWING OPENING OF THE N.C. SAFETY CONTACTS AND SUBSEQUENT ACTUATING WITHDRAWAL.
- † FOR USE ON 110/120 Vac/dc, REMOVE THE LED INDICATOR MODULE
- ‡ SCHEMATIC DIAGRAMS SHOWN REPRESENT THE CONTACT STATE WHILE THE ACTUATING KEY IS FULLY INSERTED AND ENGAGED IN THE HEAD OF THE SWITCH
- ★ THE N.O. CONTACTS WILL CLOSE AFTER THE N.C. CONTACTS ARE OPEN. THEY DO NOT CHANGE STATE
- ▲ DEVICES WITH N.C. CONTACTS ONLY ARE SUPPLIED WITH A SINGLE GREEN LED

ONLY THE N.C. CONTACTS SHOULD BE USED IN THE SAFETY CONTROL CIRCUIT. THE N.O. CONTACTS ARE PROVIDED SOLELY FOR SIGNALING - NOT FOR SAFETY FUNCTIONS.

THE ONLY REPLACEMENT PARTS OR COMPONENTS AVAILABLE ARE COVERS AND LED INDICATOR MODULES. THESE DEVICES ARE NOT TO BE REPAIRED OR ADJUSTED. THE COMPLETE SWITCH SHOULD BE REPLACED.

COMPLIMENTARY CHARACTERISTICS (NOT SHOWN UNDER GENERAL CHARACTERISTICS)

ACTUATION SPEED	MAXIMUM: 19.7in/s (.5m/s), MINIMUM: .39in/s (.01m/s)
RESISTANCE TO FORCIBLE KEY WITHDRAWAL	XCSE: 450 lbs (2000 N)
MAXIMUM OPERATING RATE	FOR MAXIMUM LIFE: 600 OPERATING CYCLES PER HOUR
MINIMUM FORCE FOR POSITIVE OPENING	4.5lbs (20 N)
CONDUIT ENTRY	XCSE: 2 ENTRIES, CONDUIT ENTRIES TAPPED 1/2" NPT

- WHEN DESIGNING A DOOR OR GATE GUARDING SYSTEM, THESE GUIDELINES MUST BE FOLLOWED:
- THE ACTUATING KEY ALONE MUST NOT BE USED AS THE SOLE MEANS TO HOLD THE GATE OR GUARD CLOSED. A SEPERATE LOCKING OR LATCHING MECHANISM MUST BE USED TO HOLD THE DOOR CLOSED.
 - THE SAFETY INTERLOCK SWITCH MUST NOT BE USED AS A MECHANICAL STOP FOR THE MOVING GUARD. A SEPERATE LOCKING OR LATCHING MECHANICAL STOP MUST BE PROVIDED.
 - THE ACTUATING KEY MUST NOT BE USED AS A GATE GUIDING DEVICE. INSTALL A GUIDE FOR THE GUARD TO ENSURE PROPER ALIGNMENT.

ELECTROMAGNET CHARACTERISTICS

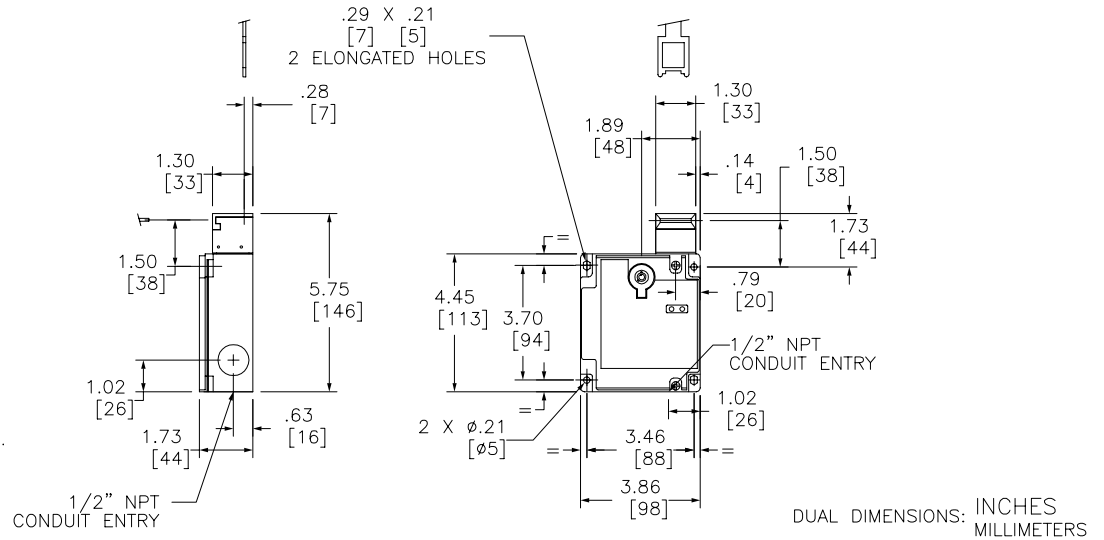
LOAD FACTOR	100%			
RATED OPERATIONAL VOLTAGE	24 Vac or Vdc	48 Vac or Vdc	110/120 Vac or Vdc	220/240 Vac or Vdc
VOLTAGE LIMITS	-20%, +10% OF THE RATED OPERATIONAL VOLTAGE (INCLUDING RIPPLE ON) CONFORMING TO IEC 947-1			
CONSUMPTION	INRUSH: 10VA, SEALED: 10VA			

LED INDICATOR CHARACTERISTICS

RATED INSULATION VOLTAGE	50 V CONFORMING TO IEC 947-1	25 V CONFORMING TO IEC 947-1
CURRENT CONSUMPTION	7 mA	7 mA
RATED OPERATIONAL VOLTAGE	24/48 Vac or Vdc	110/240 Vac
VOLTAGE LIMITS	20...52 Vac or Vdc (INCLUDING RIPPLE)	95...264 Vac or Vdc (INCLUDING RIPPLE)
PROTECTION AGAINST OVERVOLTAGES	YES	YES

THE DEVICES ABOVE ARE AVAILABLE WITH METRIC CONDUIT.

- TO ORDER DEVICES TAPPED FOR 13mm CABLE GLAND, CONFORMING TO NF C 68-300 (DIN Pg 13.5): CHANGE THE LAST CHARACTER IN THE PART NUMBER TO 1. EX: XCSE7333 IS CHANGED TO XCSE7331
- TO ORDER DEVICES TAPPED FOR M20 x 1.5 FOR ISO CABLE GLAND, CHANGE THE LAST CHARACTER IN THE PART NUMBER TO 2 EX: XCSE7333 IS CHANGED TO XCSE7332



THE SQUARE D COMPANY HAS PROPRIETARY RIGHTS TO THE INFORMATION CONTAINED HEREON. THIS INFORMATION REMAINS THE PROPERTY OF SQUARE D COMPANY AND MAY BE USED ONLY IN CONFORMANCE WITH INSTRUCTIONS ISSUED BY SQUARE D COMPANY. USER SHOULD VERIFY DRAWINGS ARE TO THE LATEST/CURRENT REVISION PRIOR TO INCORPORATING IN A DESIGN FILE.

DO NOT SCALE DRAWING
UNLESS OTHERWISE SPECIFIED DIMENSIONS ARE IN INCHES

THIRD ANGLE PROJECTION

TOLERANCES
UNLESS OTHERWISE SPECIFIED
2 PLACE DECIMALS ± .01

XCSE SAFETY INTERLOCK
METAL TURRET HEAD TYPE XCSE
LOCKING WITHOUT POWER, CONDUIT ENTRY TAPPED 1/2" NPT

SQUARE D COMPANY

DWG# XCSE_OUTLINE_001
NO.