

SENTRON, 3LD switch disconnecter, main switch, 3- pole, Iu:25 A, Operational power / at AC-23 A at 400 V: 9,5 kW, molded-plastic enclosure for metric threaded joint, 1NC, 1NO, rotary operating mechanism, black



Model	
product brandname	SENTRON
Product designation	3LD switch disconnecter
Design of the product	Main switch
Display version / for switch position indicator manual operation	1 ON - 0 OFF
Design of the operating mechanism	Short rotary knob
Design of handle	rotary operating mechanism, black
Type of the driving mechanism / motor drive	No
General technical data	
Number of poles	3
Number of poles / Note	PE + N
Type of device	fixed mounting
Type of switch	Molded-plastic enclosure for metric threaded joint
Size of switch disconnecter	2
Operating frequency / maximum	50 1/h
Voltage	
Insulation voltage / rated value	690 V

Surge voltage resistance / rated value	6 kV
Protection class	
Protection class IP	IP65
Protection class IP / on the front	IP65
Dissipation	
Power loss [W]	1.1 W
<ul style="list-style-type: none"> for rated value of the current / at AC / in hot operating state / per pole 	
Electricity	
Current / at AC / rated value	25 A
Continuous current / rated value	25 A
Short-time current resistance (I _{cw}) / at 690 V / limited to 1 s / rated value	640 A
Main circuit	
Operating frequency	
<ul style="list-style-type: none"> initial value 	50 Hz
<ul style="list-style-type: none"> Full-scale value 	60 Hz
Operating power	
<ul style="list-style-type: none"> at AC-23 A / at 400 V / rated value 	9.5 kW
<ul style="list-style-type: none"> at AC-23 A / at 690 V / rated value 	9.5 kW
<ul style="list-style-type: none"> at AC-3 / at 400 V / rated value 	7.5 kW
<ul style="list-style-type: none"> at AC-3 / at 690 V / rated value 	7.5 kW
Operating voltage	
<ul style="list-style-type: none"> at AC / at 50/60 Hz / rated value 	690 V
Auxiliary circuit	
Operating voltage / of auxiliary contacts / at AC / maximum	500 V
Continuous current / of the auxiliary contact / rated value	10 A
Insulation voltage / of the auxiliary switch / rated value	500 V
Suitability	
Suitability for use	
<ul style="list-style-type: none"> Main switch 	Yes
<ul style="list-style-type: none"> switch disconnecter 	Yes
<ul style="list-style-type: none"> EMERGENCY OFF switch 	No
<ul style="list-style-type: none"> safety switch 	Yes
<ul style="list-style-type: none"> maintenance/repair switch 	Yes
Product details	
Product feature / interlock	Yes

Product extension / optional	
• motor drive	No
• Voltage trigger	No

Connections

Type of electrical connection	
• for main current circuit	Box terminal
• for auxiliary contacts	connection terminals

Requirements

Design of the fuse link	
• for short-circuit protection of the main circuit / required	fuse gL/gG: 25 A
• for short-circuit protection of the auxiliary switch / required	fuse gL/gG: 10 A

Mechanical Design





Height	164 mm
Width	100 mm
Depth	118 mm
Mounting type	Complete unit in enclosure
Mounting type	
• front mounting with 4-hole attachment	No
• front mounting with central attachment	Yes
• rail mounting	No
Net weight	502 g

Environmental conditions

Ambient temperature	
• during operation / minimum	-25 °C
• during operation / maximum	55 °C

Certificates

Equipment marking	
• acc. to DIN EN 61346-2	S
• acc. to DIN EN 81346-2	SF

General Product Approval			Declaration of Conformity	Test Certificates
 CSA	 UL	 VDE	Miscellaneous	 EG-Konf.
				Miscellaneous

Shipping Approval	other
 LRS	Environmental Confirmations

Further information

Information- and Downloadcenter (Catalogs, Brochures,...)

<http://www.siemens.com/lowvoltage/catalogs>

Industry Mall (Online ordering system)

<https://mall.industry.siemens.com/mall/en/en/Catalog/product?mlfb=3LD2164-2TD51-0AE2>

Service&Support (Manuals, Certificates, Characteristics, FAQs,...)

<https://support.industry.siemens.com/cs/ww/en/ps/3LD2164-2TD51-0AE2>

Image database (product images, 2D dimension drawings, 3D models, device circuit diagrams, ...)

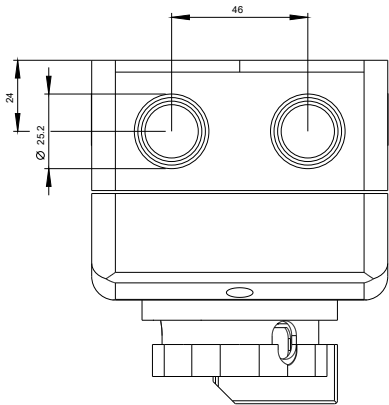
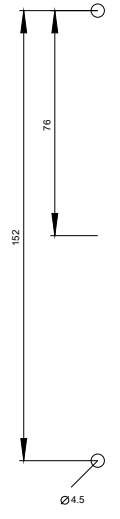
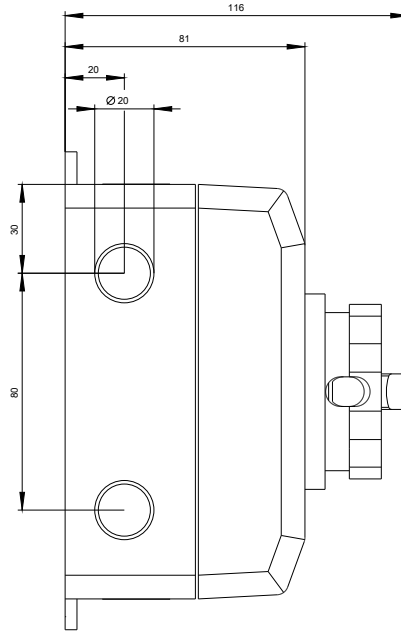
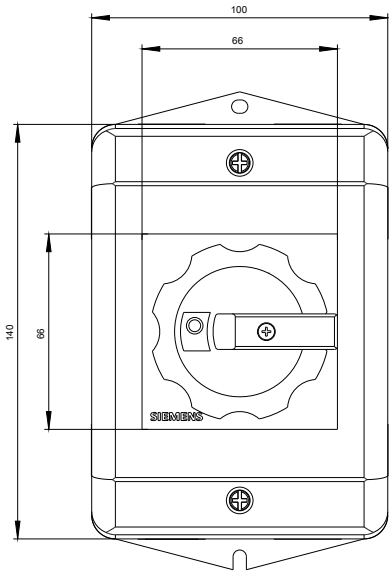
http://www.automation.siemens.com/bilddb/cax_en.aspx?mlfb=3LD2164-2TD51-0AE2

CAX-Online-Generator

<http://www.siemens.com/cax>

Tender specifications

<http://www.siemens.com/specifications>



-Q1

