

REVERSING CONTACTOR COMBINATION AC-3 11
KW/400V, SIZE S0 AC 110 V 50 HZ/120 V 60HZ



Figure similar

General technical data:

| | | |
|---|----|---------------------|
| Product function | | reversing contactor |
| Size of contactor | | S0 |
| Width | mm | 100 |
| Height | mm | 86 |
| Depth | mm | 91 |
| Equipment marking acc. to DIN EN 61346-2 | | Q |
| Equipment marking acc. to DIN 40719 extended according to IEC 204-2 acc. to IEC 750 | | K |

Control circuit/ Control:

| | | |
|---|----|-----|
| Type of voltage of the control supply voltage | | AC |
| Control supply voltage 1 | | |
| • at AC | | |
| — at 50 Hz rated value | V | 120 |
| — at 60 Hz rated value | V | 120 |
| Control supply voltage frequency | | |
| • 1 rated value | Hz | 60 |

• 2 rated value

| | |
|----|----|
| Hz | 60 |
|----|----|

Main circuit:

| | | |
|--|----|----|
| Operating current at AC-3 at 400 V rated value | A | 25 |
| Operating power at AC-3 at 400 V rated value | kW | 11 |

Auxiliary circuit:

| | | |
|--|--|---|
| Number of NC contacts for auxiliary contacts per direction of rotation | | 0 |
| Number of NO contacts for auxiliary contacts per direction of rotation | | 0 |

Connections/ Terminals:

| | | |
|--|--|--|
| Type of electrical connection for main current circuit | | screw-type terminals |
| Mounting type | | screw and snap-on mounting onto 35 mm standard mounting rail according to DIN EN 50022 |

Ambient conditions:

| | | |
|--------------------------------------|----|-------------|
| Ambient temperature during operation | °C | -25 ... +60 |
| Protection class IP on the front | | IP20 |

Certificates/ approvals:

| General Product Approval | Declaration of Conformity | Shipping Approval |
|--------------------------|---------------------------|-------------------|
|--------------------------|---------------------------|-------------------|



| Shipping Approval | other |
|-------------------|-------|
|-------------------|-------|



[sonstig](#)

| other |
|-------|
|-------|

[Umweltbestätigung](#)

[Bestätigungen](#)

Further information

Information- and Downloadcenter (Catalogs, Brochures,...)

<http://www.siemens.com/industrial-controls/catalogs>

Industry Mall (Online ordering system)

<http://www.siemens.com/industrymall>

Cax online generator

<http://support.automation.siemens.com/WW/CAXorder/default.aspx?lang=en&mfb=3RA1326-8XB30-1AK6>

Service&Support (Manuals, Certificates, Characteristics, FAQs,...)

<https://support.industry.siemens.com/cs/ww/en/ps/3RA1326-8XB30-1AK6>

Image database (product images, 2D dimension drawings, 3D models, device circuit diagrams, EPLAN macros, ...)

http://www.automation.siemens.com/bilddb/cax_de.aspx?mfb=3RA1326-8XB30-1AK6&lang=en

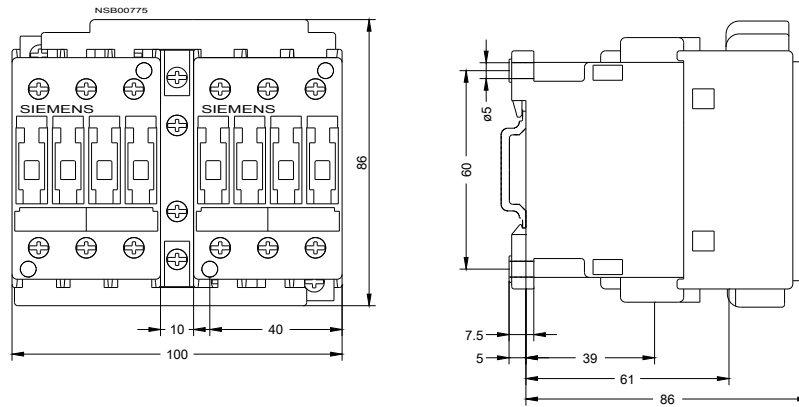




Figure similar

last modified:

11/11/2016