

SEMI-COND. CONTACTOR 3RF2,1-PH. AC 51 10 A /
AC15 6A 40 DEG. C 48-600 V / 24 V DC
INSTANTANEOUS SWITCHING



General technical data:

| | | |
|---|--|-------------------------------|
| product brand name | | SIRIUS |
| Product designation | | solid-state contactor |
| Product function | | instantaneous switching |
| Number of poles for main current circuit | | 1 |
| Protection class IP | | IP20 |
| Product designation _1 of the accessories that can be ordered | | terminal cover |
| Manufacturer's article number _1 of the accessories that can be ordered | | 3RF2900-3PA88 |
| Product designation _2 of the accessories that can be ordered | | power regulator |
| Manufacturer's article number _2 of the accessories that can be ordered | | 3RF2920-0HA16 |
| Product designation _3 of the accessories that can be ordered | | converter |
| Manufacturer's article number _3 of the accessories that can be ordered | | 3RF2900-0EA18 |
| Product designation _4 of the accessories that can be ordered | | load monitoring |

| | | |
|---|----|-------------------------------|
| Manufacturer's article number _4 of the accessories that can be ordered | | 3RF2920-0GA16 |
| Product designation _5 of the accessories that can be ordered | | load monitoring, basis |
| Manufacturer's article number _5 of the accessories that can be ordered | | 3RF2920-0FA08 |
| Ambient temperature | | |
| • during operation | °C | -25 ... +60 |
| • during storage | °C | -55 ... +80 |
| Installation altitude at height above sea level maximum | m | 1 000 |
| Vibration resistance acc. to IEC 60068-2-6 | | 2g |
| Shock resistance acc. to IEC 60068-2-27 | | 15g / 11 ms |
| Equipment marking acc. to DIN 40719 extended according to IEC 204-2 acc. to IEC 750 | | K |
| Equipment marking acc. to DIN EN 61346-2 | | Q |
| Number of NC contacts for auxiliary contacts | | 0 |
| Number of NO contacts for auxiliary contacts | | 0 |
| Number of CO contacts for auxiliary contacts | | 0 |

Main circuit:

| | | |
|---|-------------------|------------|
| Number of NO contacts for main contacts | | 1 |
| Number of NC contacts for main contacts | | 0 |
| Operating current | | |
| • at AC-1 at 400 V rated value | A | 10.5 |
| • at AC-51 rated value | A | 10.5 |
| Operating current minimum | mA | 100 |
| Operating voltage at AC | | |
| • at 50 Hz rated value | V | 48 ... 600 |
| • at 60 Hz rated value | V | 48 ... 600 |
| Operating range relative to the operating voltage at AC | | |
| • at 50 Hz | V | 40 ... 660 |
| • at 60 Hz | V | 40 ... 660 |
| Operating frequency rated value | Hz | 50 ... 60 |
| Insulation voltage rated value | V | 600 |
| Rate of voltage rise at the thyristor for main contacts maximum permissible | V/μs | 1 000 |
| Blocking voltage at the thyristor for main contacts maximum permissible | V | 1 600 |
| Reverse current of the thyristor | mA | 10 |
| Derating temperature | °C | 40 |
| Power loss [W] total typical | W | 11 |
| Surge current resistance rated value | A | 400 |
| I ² t value maximum | A ² ·s | 800 |

| Control circuit/ Control: | | |
|--|----|----|
| Type of voltage of the control supply voltage | | DC |
| Control supply voltage 1 | | |
| • at DC | | |
| — Initial rated value | V | 15 |
| — Final rated value | V | 24 |
| Control supply voltage | | |
| • at DC Full-scale value for signal<0> recognition | V | 5 |
| Control current | | |
| • at minimum control supply voltage | | |
| — at DC | mA | 2 |
| • at DC rated value | mA | 15 |

| Installation/ mounting/ dimensions: | | |
|--|-----|--|
| Mounting type | | screw and snap-on mounting onto 35 mm standard mounting rail |
| Mounting type Side-by-side mounting | | Yes |
| Design of the thread of the screw for securing the equipment | | M4 |
| Tightening torque of the screw for securing the equipment | N·m | 1.5 |
| Width | mm | 22.5 |
| Height | mm | 100 |
| Depth | mm | 94 |

| Connections/Terminals: | | |
|---|--------|---|
| Type of electrical connection for main current circuit | | screw-type terminals |
| Design of the thread of the connection screw for main contacts | | M4 |
| Tightening torque for main contacts with screw-type terminals | N·m | 2 ... 2.5 |
| Tightening torque [lbf·in] for main contacts with screw-type terminals | lbf·in | 18 ... 22 |
| Type of connectable conductor cross-sections for main contacts | | |
| • solid | | 2x (1.5 ... 2.5 mm ²), 2x (2.5 ... 6 mm ²) |
| • finely stranded | | |
| — with core end processing | | 2x (1 ... 2.5 mm ²), 2x (2.5 ... 6 mm ²), 1x 10 mm ² |
| Type of connectable conductor cross-sections | | |
| • at AWG conductors | | |
| — for main contacts | | 2x (14 ... 10) |
| — for auxiliary and control contacts | | 1x (AWG 20 ... 12) |
| Type of connectable conductor cross-sections for auxiliary and control contacts | | |

| | | |
|---|---|---|
| <ul style="list-style-type: none"> • solid • finely stranded <ul style="list-style-type: none"> — with core end processing — without core end processing | | <p>1x (0.5 ... 2.5 mm²), 2x (0.5 ... 1.0 mm²)</p> <p>1x (0.5 ... 2.5 mm²), 2x (0.5 ... 1.0 mm²)</p> <p>1x (0.5 ... 2.5 mm²), 2x (0.5 ... 1.0 mm²)</p> |
| Connectable conductor cross-section | | |
| <ul style="list-style-type: none"> • for main contacts <ul style="list-style-type: none"> — single or multi-stranded — finely stranded <ul style="list-style-type: none"> — with core end processing • for auxiliary and control contacts <ul style="list-style-type: none"> — solid — finely stranded <ul style="list-style-type: none"> — with core end processing — without core end processing | <p>mm²</p> <p>mm²</p> <p>mm²</p> <p>mm²</p> <p>mm²</p> | <p>1.5 ... 6</p> <p>1 ... 10</p> <p>0.5 ... 2.5</p> <p>0.5 ... 2.5</p> <p>0.5 ... 2.5</p> |
| AWG number as coded connectable conductor cross section | | |
| <ul style="list-style-type: none"> • for main contacts • for auxiliary and control contacts | | <p>10 ... 14</p> <p>20 ... 12</p> |
| Type of electrical connection for auxiliary and control current circuit | | screw-type terminals |
| Design of the thread of the connection screw of the auxiliary and control contacts | | M3 |
| Wire stripping length of the cable | | |
| <ul style="list-style-type: none"> • for main contacts • for auxiliary and control contacts | <p>mm</p> <p>mm</p> | <p>7</p> <p>7</p> |
| Tightening torque for auxiliary and control contacts with screw-type terminals | N·m | 0.5 ... 0.6 |
| Tightening torque [lbf·in] for auxiliary and control contacts with screw-type terminals | lbf·in | 4.5 ... 5.3 |

Certificates/approvals

| | | | |
|--------------------------|-----|---------------------------|-------------------|
| General Product Approval | EMC | Declaration of Conformity | Test Certificates |
|--------------------------|-----|---------------------------|-------------------|



[Typprüfbescheinigung/Werkszeugnis](#)

| | |
|-------|---------|
| other | Railway |
|-------|---------|

[Umweltbestätigung](#)

[Bestätigungen](#)

[Schwingen/Schocke](#)

[n](#)

Further information

Short-circuit protection, design of the fuse link

https://www.automation.siemens.com/cd-static/material/info/3RF23_eng.pdf

Information- and Downloadcenter (Catalogs, Brochures,...)

<http://www.siemens.com/industrial-controls/catalogs>

Industry Mall (Online ordering system)

<https://mall.industry.siemens.com/mall/en/en/Catalog/product?mlfb=3RF2310-1BA06>

Cax online generator

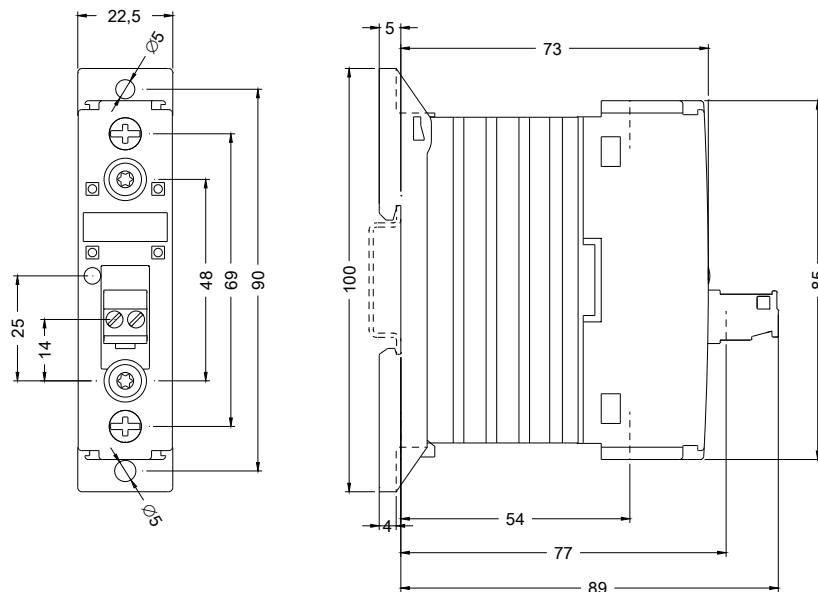
<http://support.automation.siemens.com/WW/CAXorder/default.aspx?lang=en&mlfb=3RF2310-1BA06>

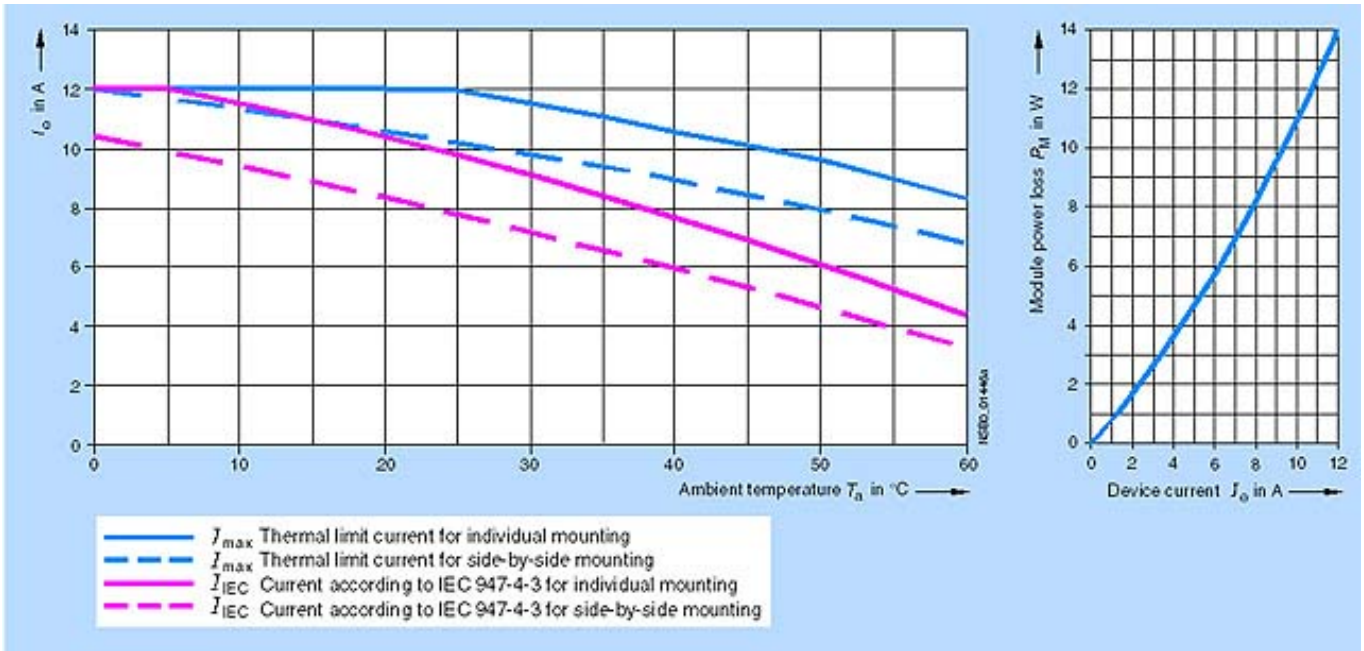
Service&Support (Manuals, Certificates, Characteristics, FAQs,...)

<https://support.industry.siemens.com/cs/ww/en/ps/3RF2310-1BA06>

Image database (product images, 2D dimension drawings, 3D models, device circuit diagrams, EPLAN macros, ...)

http://www.automation.siemens.com/bilddb/cax_de.aspx?mlfb=3RF2310-1BA06&lang=en





last modified:

12/18/2016