

LENGTH-ADJUSTABLE TWIST LEVER FOR POSITION SWITCH
 3SE51/52 METAL LEVER 100MM LONG STAINLESS STEEL
 ROLLER 19MM







Product designation	actuator for part-turn actuator
Manufacturer's article number	
<ul style="list-style-type: none"> of the supplied operating lever 	3SE5000-0AA51
General technical data	
Product function	
<ul style="list-style-type: none"> positive opening 	No
Shock resistance	
<ul style="list-style-type: none"> acc. to IEC 60068-2-27 	30 g / 11 ms
Vibration resistance	
<ul style="list-style-type: none"> acc. to IEC 60068-2-6 	0.35 mm/5g
Mechanical service life (switching cycles)	
<ul style="list-style-type: none"> typical 	15 000 000
Equipment marking	
<ul style="list-style-type: none"> acc. to DIN EN 61346-2 	T
<ul style="list-style-type: none"> acc. to DIN EN 81346-2 	T
Active principle	mechanical
Enclosure	
Coating of the enclosure	Other types

Drive Head	
Design of the operating mechanism	Adjustable twist lever, adjustable-length metal lever, high-grade steel roller 19 mm
Shape of the switch head	roller
Outer diameter of the switch head	19 mm

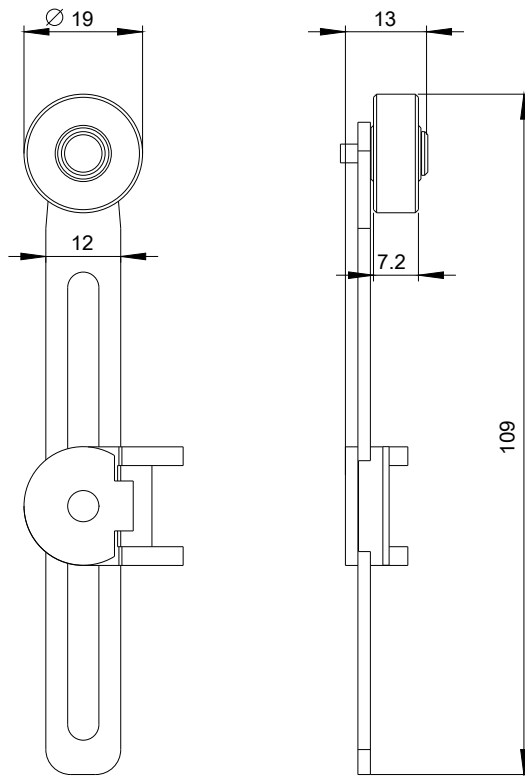
Communication/ Protocol	
Design of the interface	without

Ambient conditions	
Ambient temperature	
<ul style="list-style-type: none"> during operation during storage 	-25 ... +85 °C -40 ... +90 °C

Installation/ mounting/ dimensions	
Mounting position	any
Mounting type	screw fixing

Certificates/approvals			
General Product Approval	Declaration of Conformity	Test Certificates	other
 CSA	 UR		 EG-Konf.
		spezielle Prüfbescheinigunge n	Bestätigungen

Further information
Information- and Downloadcenter (Catalogs, Brochures,...) http://www.siemens.com/industrial-controls/catalogs
Industry Mall (Online ordering system) https://mall.industry.siemens.com/mall/en/en/Catalog/product?mlfb=3SE5000-0AA51
Cax online generator http://support.automation.siemens.com/WW/CAXorder/default.aspx?lang=en&mlfb=3SE5000-0AA51
Service&Support (Manuals, Certificates, Characteristics, FAQs,...) https://support.industry.siemens.com/cs/ww/en/ps/3SE5000-0AA51
Image database (product images, 2D dimension drawings, 3D models, device circuit diagrams, EPLAN macros, ...) http://www.automation.siemens.com/bilddb/cax_de.aspx?mlfb=3SE5000-0AA51&lang=en



last modified:

12/18/2016